

2 SERIES HAL

ADJUSTABLE

Our smallest aperture family of pin-hole fixtures offers high-output illumination for high-drama design statements in discerning residential, retail, and hospitality environments.

PROJECT NAME:	TYPE:
---------------	-------

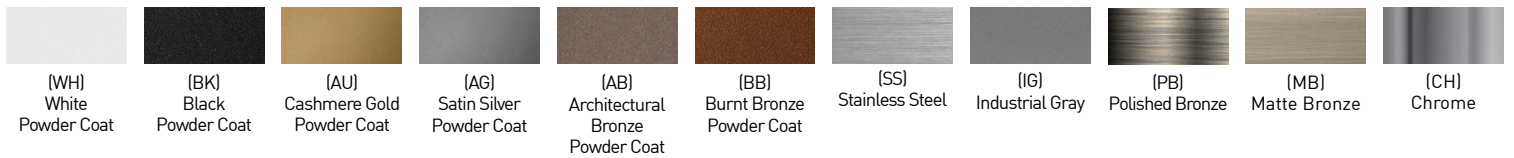


ORDERING INFORMATION



JAB-2019 INDICATED BY SHADING

FITTING	RATING	FLANGE FINISH	INSTALL TYPE	CEILING THICKNESS	POWER SUPPLY	EFFECTS DEVICE	FLANGE CONFIGURATION	WATTAGE RESTRICTION
2RA Round Expanded	1 Dry / Damp	WH White	NC NIC*	1 0.50"-0.75"	Domestic (120V)	Standard Effects Device	F Flange Overlay (No Applique)	Optional Label WRL** Wattage Restriction Label
2PA Round Pinhole	2 Wet* *(Lens sealed in place)	BK Black	IC IC*	2 0.76"-1.25"	EZZ ELV/0-10V*	04 Soft Focus Lens	G Zero Sightline - Gypsum (1/16" Applique)*	
2SA Square Expanded		AU Cashmere Gold	AT IC, Airtight, Chicago Plenum*	3 1.26"-2.00"	*[37W max Halogen, 15W max LED, ships with MR16 socket, TL24 JAB-2016 compliant when used with 7.5W or 9W Vivid Series Soraa lamp]	Optional Effects Device	P Zero Sightline - Plaster (1/8" Applique)*	(** Maximum Wattage) Ex. For 9 Watt maximum label, specify "WRL09" Leave blank unless specifying optional configuration
		AG Satin Silver		4 2.01"-3.00"	QT2 Q-Tran / Toroid*	00 No Lens*	*[Not available for wet location]	
		PR Primer			RMT Remote*	01 Linear Spread Lens		
		AB Architectural Bronze			*[37W max Halogen, 15W max LED, ships with MR16 socket, TL24 JAB-2016 compliant when used with 7.5W or 9W Vivid Series Soraa lamp]	02 Honeycomb Louver*		
		BB Burnt Bronze			MVH Mains Voltage Halogen*	03 Clear Glass Lens		
		SS Stainless Steel*			*[37W max Halogen, 15W max LED, ships with MR16 socket, TL24 JAB-2016 compliant when used with 7.5W or 9W Vivid Series Soraa lamp]	05 Frosted Glass Lens		
		IG Industrial Gray				09 Ultra Violet Lens		
		PB Polished Bronze*				26 Frosted Linear Spread Lens*		
		MB Matte Bronze*						
		CH Chrome*						
		CF Custom*						



ACCESSORIES

ALTERNATE EFFECTS DEVICES

- LSL-2 Linear Spread Lens
- HCL-2 Honeycomb Louver*
*(Not available for wet location)
- CGL-2 Clear Glass Lens
- SFL-2 Soft Focus Lens
- FGL-2 Frosted Glass Lens
- UVL-2 Ultra Violet Lens
- FLSL-2 Frosted Linear Spread Lens*
*(Not available for wet location)

ROUTER TOOL GUIDE (Dry / Damp locations only)

- Recommended for Zero-Sightline installations in wood ceilings.
- DLA-RTG-2S-RD Tool, router guide, round; reusable
 - DLA-RTG-2S-SQ Tool, router guide, square; reusable

EMERGENCY LIGHTING - REMOTE MOUNT ONLY

During disruption of main power, emergency battery inverter provides temporary 120V or 277V to fixture.

- EMB-S-20/25-120/277-LEDX 20/25 watt max capacity, 120 or 277 VAC 60Hz, Non-Dimmable
- EMB-S-100-120-LEDX 100 watt max capacity, 120 VAC 60Hz, Dimmable
- EMB-S-100-277-LEDX 100 watt max capacity, 277 VAC 60Hz, Dimmable
- EMB-S-250-120/277-LEDX 250 watt max capacity, 120 or 277 VAC 60Hz, Dimmable

ADJUSTMENT TOOL

One included with every four fixtures.

- TOOL-HEX-050

2 SERIES HAL ADJUSTABLE

SORAA VIVID SERIES MR-16 LED LAMPS

- **S-SM16-07-10D-927-03** 7.5W, 95CRI, 2700K, 10° Spot
- **S-SM16-07-25D-927-03** 7.5W, 95CRI, 2700K, 25° Medium Flood
- **S-SM16-07-36D-927-03** 7.5W, 95CRI, 2700K, 36° Flood
- **S-SM16-07-10D-930-03** 7.5W, 95CRI, 3000K, 10° Spot
- **S-SM16-07-25D-930-03** 7.5W, 95CRI, 3000K, 25° Medium Flood
- **S-SM16-07-36D-930-03** 7.5W, 95CRI, 3000K, 36° Flood

- **S-SM16-09-25D-927-03** 9W, 95CRI, 2700K, 25° Medium Flood
- **S-SM16-09-36D-927-03** 9W, 95CRI, 2700K, 36° Flood
- **S-SM16-09-25D-930-03** 9W, 95CRI, 3000K, 25° Medium Flood
- **S-SM16-09-36D-930-03** 9W, 95CRI, 3000K, 36° Flood

NOTE: 9W Soraa MR-16 LEDs not for use with lens or Wet location fixtures



SORAA BRILLIANCE SERIES MR-16 LED LAMPS

- **S-SM16-07-10D-827-03** 7.5W, 80CRI, 2700K, 10° Spot
- **S-SM16-07-25D-827-03** 7.5W, 80CRI, 2700K, 25° Medium Flood
- **S-SM16-07-36D-827-03** 7.5W, 80CRI, 2700K, 36° Flood
- **S-SM16-07-10D-830-03** 7.5W, 80CRI, 3000K, 10° Spot
- **S-SM16-07-25D-830-03** 7.5W, 80CRI, 3000K, 25° Medium Flood
- **S-SM16-07-36D-830-03** 7.5W, 80CRI, 3000K, 36° Flood

- **S-SM16-09-25D-827-03** 9W, 80CRI, 2700K, 25° Medium Flood
- **S-SM16-09-36D-827-03** 9W, 80CRI, 2700K, 36° Flood
- **S-SM16-09-25D-830-03** 9W, 80CRI, 3000K, 25° Medium Flood
- **S-SM16-09-36D-830-03** 9W, 80CRI, 3000K, 36° Flood

NOTE: 9W Soraa MR-16 LEDs not for use with lens or Wet location fixtures

MR-16 HALOGEN LAMPS

- **12-20-HL-SP** 20W Halogen 12° Spot
- **12-20-HL-MF** 20W Halogen 15° Medium Flood
- **12-20-HL-FL** 20W Halogen 25° Flood
- **12-20-HRIR-SP** 20W IR Halogen 10° Spot
- **12-20-HRIR-MF** 20W IR Halogen 25° Medium Flood
- **12-20-HRIR-FL** 20W IR Halogen 35° Flood
- **12-20-HRIR-WF** 20W IR Halogen 60° Wide Flood
- **12-37-HRIR-SP** 37W IR Halogen 10° Spot
- **12-37-HRIR-MF** 37W IR Halogen 25° Medium Flood
- **12-37-HRIR-FL** 37W IR Halogen 35° Flood
- **12-37-HRIR-WF** 37W IR Halogen 60° Wide Flood

2 SERIES LED ADJUSTABLE

DOWNLIGHT

Hot-aim adjustment from below up to 45° tilt and 357° rotation, faceplate conceals adjustment mechanisms.

- A ADJUSTABLE YOKE**
Adjustable yoke allows for quick exchange of lamp and effects devices. Accommodates up to 2 effects devices.
- B TILT GUIDE**
Features adjustment angles and allows for pre-aiming prior to insertion of trim.
- C EFFECTS DEVICES**
Soft Focus Lens standard; effects device must be specified. Lens is sealed in aperture in Wet location trim. Secondary effects device available.
- D TRIM PLATE**
Features removable faceplate providing access to adjustment mechanisms. Rare Earth magnets secure faceplate firmly to trim mechanism and do not degrade over time.
 - Dry / Damp Location: Thickness measures 0.065"
 - Wet Location: Sealed aperture and integral silicone gasket. 0.15" return, installed as flange overlay only.
- E DOWNLIGHT TRIM ADAPTER**
Included with fixture and required for installation. Uses (2) #6-32 flat-head screws with varying lengths to accommodate ceiling depth. Installed after ceiling is complete. Requires 3.75" cutout for flange overlay applications.
- E1 RETENTION**
Engineered integral ball plungers correspond to trim adaptor ensuring snug fit against finished ceiling.

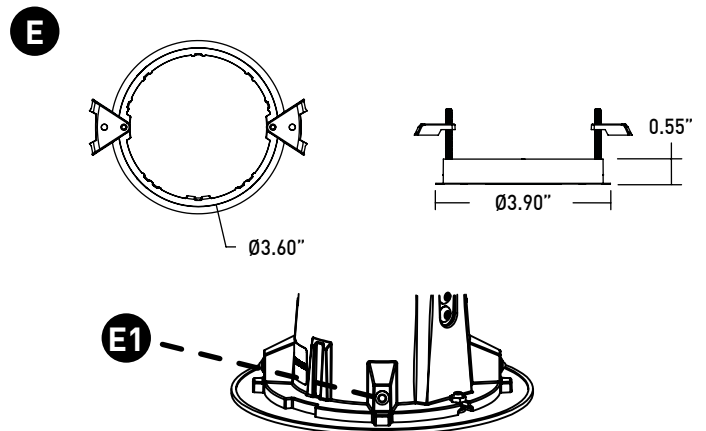
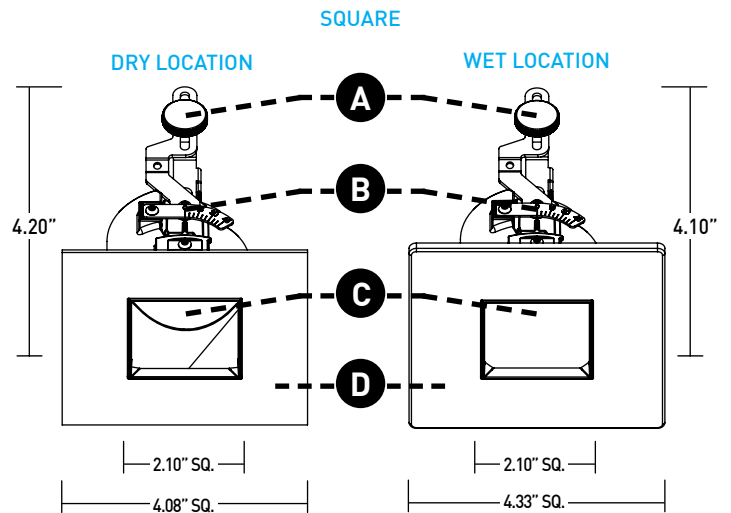
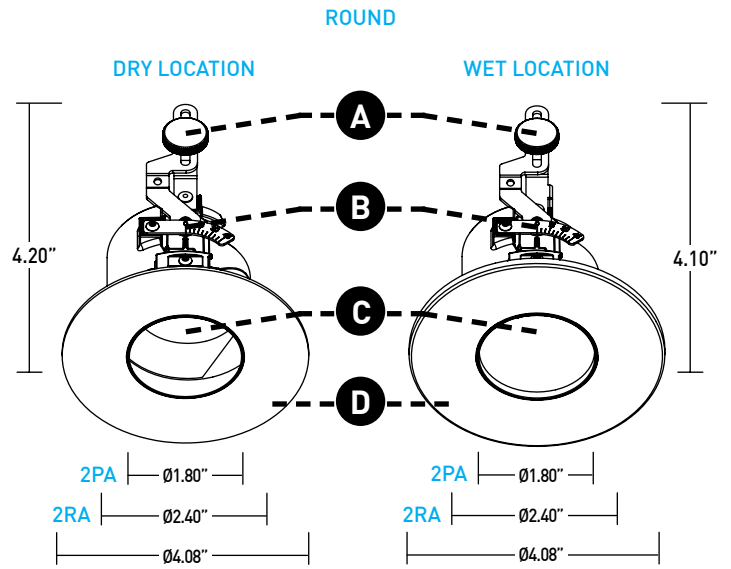
TILT CHART

Charts reference abbreviated ceiling thickness and use of 1 effects device.

CEILING THICKNESS	≤0.75"	≤1.00"	≤1.25"	≤1.50"	≤1.75"	≤2.00"
Available Tilt	"-1" collar 45°	"-2" collar 44°	"-2" collar 41°	"-3" collar 35°	"-3" collar 35°	"-3" collar 33°

CEILING THICKNESS	≤2.25"	≤2.75"	≤3.00"
Available Tilt	"-4" collar 15°	"-4" collar 15°	"-4" collar 13°

DIMENSIONS / DRAWINGS



2 SERIES LED ADJUSTABLE

HOUSING

- F NO INSULATION CONTACT (NON-IC) HOUSING**
- Included with NC install types.
 - Minimum 0.50" setback from combustible and non-combustible materials on all sides and top of housing.
 - Minimum 3.00" setback from insulation material having max R-Value 30 on all sides and top of housing.
 - Minimum 6.00" setback from polycell spray foam insulation having max R-Value 60.
- G INSULATION CONTACT (IC) HOUSING**
- Included with AT and IC install types
 - No setback from polycell spray foam insulation having max R-Value of 60 on all sides and top of IC housing.

HOUSING / MOUNTING NOTES

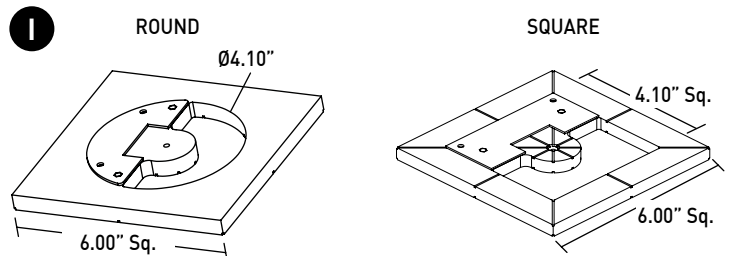
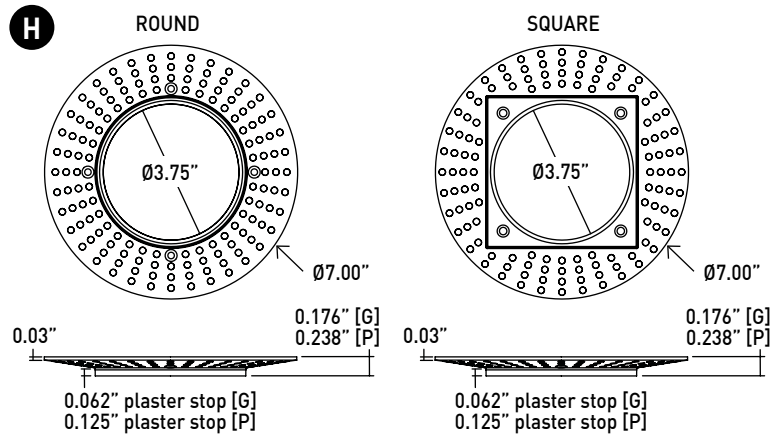
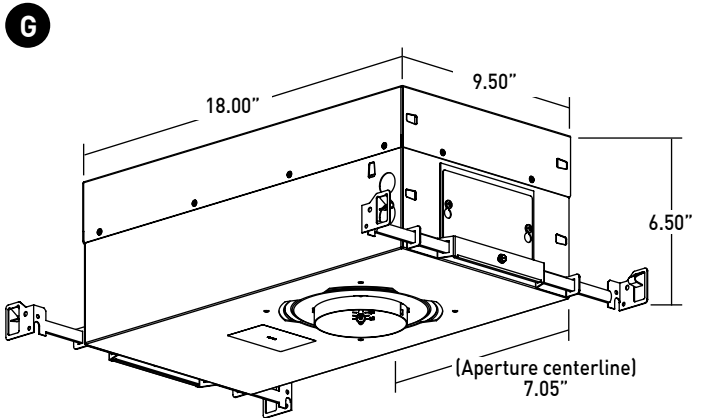
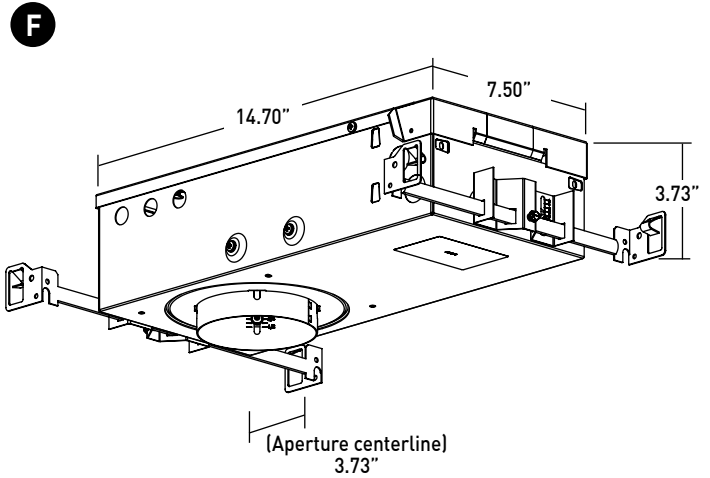
- AT install type is required for Chicago Plenum, Airtight and Title 24 (JA8) applications.
- Do not install in environments where ambient temperatures exceed 40°C (104°F).
- Power supply compartment and all splice connections may be serviced from room side.
- Consult factory for spacing requirements for any installations exceeding R-Value 60.
- Hanger bars fitted to short side of housing, and long side of Low Flux housings; extend from 14.0" to 24.0", but may be field cut to accommodate narrow stud spacing.
- Hanger bars and brackets add 4.00" to the overall dimension, but are exclusive of the setback requirements.
- Driver assembly ships with trim, not housing. Housing and trim feature mating quick-connect plugs for ease of installation.

ZERO-SIGHTLINE INSTALLATIONS

Zero-Sightline installations available for Dry / Damp location fixtures only. When installed according to manufacturer's instructions and ceiling conditions are met, fixture is flush with the ceiling plane. Consult 2-Series Installation Guidelines for appropriate ceiling cutouts and instructions for proper Zero-Sightline installations.

- H APPLIQUÉ**
- Specified on Flange Configuration and ships with housing; ships separately on remodel installations.
 - For use in sheetrock ceiling applications.
 - 1/16" Appliqué (G Flange Configuration) recommended for gypsum ceiling installations and has plaster stop thickness of 1/16".
 - Recommended for painted ceiling applications.
 - 1/8" Appliqué (P Flange Configuration) offers double thick plaster stop of 1/8" where a heavier application of mud is preferred. Recommended for colorfast and venetian plaster applications.
 - Not recommended for stucco applications.
- I ROUTER TOOL GUIDE**
- Specified separately and used with Flange Overlay configurations.
 - For use in wood ceiling applications.
 - **DLA-RTG-2S-RD** or **DLA-RTG-2S-SQ** required for wood Zero-Sightline ceiling installations.
 - Router tool guide is reusable and suitable for multiple fixtures.

DIMENSIONS / DRAWINGS



2 SERIES LED ADJUSTABLE

TECHNICAL

CONSTRUCTION

Downlight: Steel and aluminum; Painted finishes are granulated powder coat.

Trim Adaptor: High impact composite and stainless steel.

Housing: Steel and aluminum.

Appliqué: Zinc alloy.

LAMP

MR-16 halogen and LED; 12-volt GU5.3 base and line / mains GU10 base. To ensure optimal results, it is recommended to specify lamps supplied by Lucifer Lighting. Note: MR-16 LED lamps, other than those listed, must be independently confirmed as compatible by the corresponding lamp manufacturer. Consult factory for assistance.

DIMMING PROTOCOL

Best achieved using a corresponding reverse phase control for power supplies designated "EZ2" outfitted with electronic transformers and a forward phase control for power supplies designated "QT2" outfitted with toroid magnetic transformers. Compatibility and performance may vary between controls and applied loads.

WARNING: PHASE ADAPTIVE DIMMING MUST BE LOCKED AS FORWARD PHASE TO AVOID CATASTROPHIC FAILURE OF TOROID TRANSFORMERS.

LISTING

cTUVus listed to UL1598 Dry / Damp and Wet locations. Chicago Plenum, Airtight and Title 24 JA8-2019 Listed.

TITLE 24 JA8-2019 COMPLIANCE

Fixtures outfitted with any Vivid Series Soraa lamp (7.5W or 9W) are approved for TL24 JA8-2019.

WARRANTY

Manufacturer's 1-year warranty, from the date of shipment by Seller, on all Lucifer Lighting provided system components. Consult website for full warranty terms and conditions. Lamps not covered under warranty.

CHANGE LOG

1.02/10/2020: ADDED CHICAGO PLENUM TO AT HOUSING DESCRIPTION.