

# 2 SERIES HAL

## SHALLOW REGRESS

Our smallest aperture family of pin-hole fixtures offers high-output illumination for high-drama design statements in discerning residential, retail, and hospitality environments.

PROJECT NAME:	TYPE:
---------------	-------

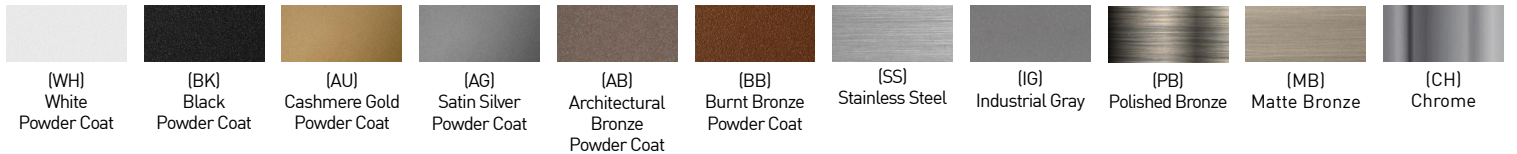


### ORDERING INFORMATION



JA8-2019 INDICATED BY SHADING

FITTING	RATING	FLANGE FINISH	INSTALL TYPE	CEILING THICKNESS	POWER SUPPLY	EFFECTS DEVICE	FLANGE CONFIGURATION	WATTAGE RESTRICTION
2RS Round Expanded	1 Dry / Damp	WH White	NC NIC*	1 0.50"-0.75"	Domestic (120V)	Standard Effects Device	F Flange Overlay (No Applique)	<b>Optional Label</b> WRL** Wattage Restriction Label  (** Maximum Wattage) Ex. For 9 Watt maximum label, specify "WRL09"  Leave blank unless specifying optional configuration
2PS Round Pinhole	2 Wet* *(Lens sealed in place)	BK Black	IC IC*	2 0.76"-1.25"	EZZ ELV/0-10V*	04 Soft Focus Lens	G Zero Sightline - Gypsum (1/16" Applique)*	
2SS Square Expanded		AU Cashmere Gold	AT IC, Airtight, Chicago Plenum*	3 1.26"-2.00"	*[37W max Halogen, 15W max LED, ships with MR16 socket, TL24 JA8-2016 compliant when used with 7.5W or 9W Vivid Series Soraa lamp]	Optional Effects Device	P Zero Sightline - Plaster (1/8" Applique)*	
		AG Satin Silver		4 2.01"-3.00"	QT2 Q-Tran / Toroid *	00 No Lens *		
		PR Primer			*[37W max Halogen, 15W max LED, ships with MR16 socket, TL24 JA8-2016 compliant when used with 7.5W or 9W Vivid Series Soraa lamp]	01 Linear Spread Lens		
		AB Architectural Bronze			RMT Remote *	02 Honeycomb Louver *		
		BB Burnt Bronze			*[37W max Halogen, 15W max LED, ships with MR16 socket, TL24 JA8-2016 compliant when used with 7.5W or 9W Vivid Series Soraa lamp]	03 Clear Glass Lens		
		SS Stainless Steel*			MVH Mains Voltage Halogen *	05 Frosted Glass Lens		
		IG Industrial Gray			*[Ships with GU10 socket, power supply not provided]	09 Ultra Violet Lens		
		PB Polished Bronze*				26 Frosted Linear Spread Lens *		
		MB Matte Bronze*				*(Not available for wet location)		
		CH Chrome*						
		CF Custom*						
		*(Consult Factory)						



### ACCESSORIES

#### ALTERNATE EFFECTS DEVICES

- LSL-2 Linear Spread Lens
- HCL-2 Honeycomb Louver\*  
\*(Not available for wet location)
- CGL-2 Clear Glass Lens
- SFL-2 Soft Focus Lens
- FGL-2 Frosted Glass Lens
- UVL-2 Ultra Violet Lens
- FLSSL-2 Frosted Linear Spread Lens\*  
\*(Not available for wet location)

#### ROUTER TOOL GUIDE (Dry / Damp locations only)

- Recommended for Zero-Sightline installations in wood ceilings.
- DLA-RTG-2S-RD Tool, router guide, round; reusable
  - DLA-RTG-2S-SQ Tool, router guide, square; reusable

#### EMERGENCY LIGHTING - REMOTE MOUNT ONLY

During disruption of main power, emergency battery inverter provides temporary 120V or 277V to fixture.

- EMB-S-20/25-120/277-LEDX 20/25 watt max capacity, 120 or 277 VAC 60Hz, Non-Dimmable
- EMB-S-100-120-LEDX 100 watt max capacity, 120 VAC 60Hz, Dimmable
- EMB-S-100-277-LEDX 100 watt max capacity, 277 VAC 60Hz, Dimmable
- EMB-S-250-120/277-LEDX 250 watt max capacity, 120 or 277 VAC 60Hz, Dimmable

# 2 SERIES HAL SHALLOW REGRESS

## SORAA VIVID SERIES MR-16 LED LAMPS

- S-SM16-07-10D-927-03** 7.5W, 95CRI, 2700K, 10° Spot
- S-SM16-07-25D-927-03** 7.5W, 95CRI, 2700K, 25° Medium Flood
- S-SM16-07-36D-927-03** 7.5W, 95CRI, 2700K, 36° Flood
- S-SM16-07-10D-930-03** 7.5W, 95CRI, 3000K, 10° Spot
- S-SM16-07-25D-930-03** 7.5W, 95CRI, 3000K, 25° Medium Flood
- S-SM16-07-36D-930-03** 7.5W, 95CRI, 3000K, 36° Flood

- S-SM16-09-25D-927-03** 9W, 95CRI, 2700K, 25° Medium Flood
- S-SM16-09-36D-927-03** 9W, 95CRI, 2700K, 36° Flood
- S-SM16-09-25D-930-03** 9W, 95CRI, 3000K, 25° Medium Flood
- S-SM16-09-36D-930-03** 9W, 95CRI, 3000K, 36° Flood

**NOTE:** 9W Soraa MR-16 LEDs not for use with lens or Wet location fixtures



## SORAA BRILLIANCE SERIES MR-16 LED LAMPS

- S-SM16-07-10D-827-03** 7.5W, 80CRI, 2700K, 10° Spot
- S-SM16-07-25D-827-03** 7.5W, 80CRI, 2700K, 25° Medium Flood
- S-SM16-07-36D-827-03** 7.5W, 80CRI, 2700K, 36° Flood
- S-SM16-07-10D-830-03** 7.5W, 80CRI, 3000K, 10° Spot
- S-SM16-07-25D-830-03** 7.5W, 80CRI, 3000K, 25° Medium Flood
- S-SM16-07-36D-830-03** 7.5W, 80CRI, 3000K, 36° Flood

- S-SM16-09-25D-827-03** 9W, 80CRI, 2700K, 25° Medium Flood
- S-SM16-09-36D-827-03** 9W, 80CRI, 2700K, 36° Flood
- S-SM16-09-25D-830-03** 9W, 80CRI, 3000K, 25° Medium Flood
- S-SM16-09-36D-830-03** 9W, 80CRI, 3000K, 36° Flood

**NOTE:** 9W Soraa MR-16 LEDs not for use with lens or Wet location fixtures

## MR-16 HALOGEN LAMPS

- 12-20-HL-SP** 20W Halogen 12° Spot
- 12-20-HL-MF** 20W Halogen 15° Medium Flood
- 12-20-HL-FL** 20W Halogen 25° Flood
- 12-20-HRIR-SP** 20W IR Halogen 10° Spot
- 12-20-HRIR-MF** 20W IR Halogen 25° Medium Flood
- 12-20-HRIR-FL** 20W IR Halogen 35° Flood
- 12-20-HRIR-WF** 20W IR Halogen 60° Wide Flood
- 12-37-HRIR-SP** 37W IR Halogen 10° Spot
- 12-37-HRIR-MF** 37W IR Halogen 25° Medium Flood
- 12-37-HRIR-FL** 37W IR Halogen 35° Flood
- 12-37-HRIR-WF** 37W IR Halogen 60° Wide Flood

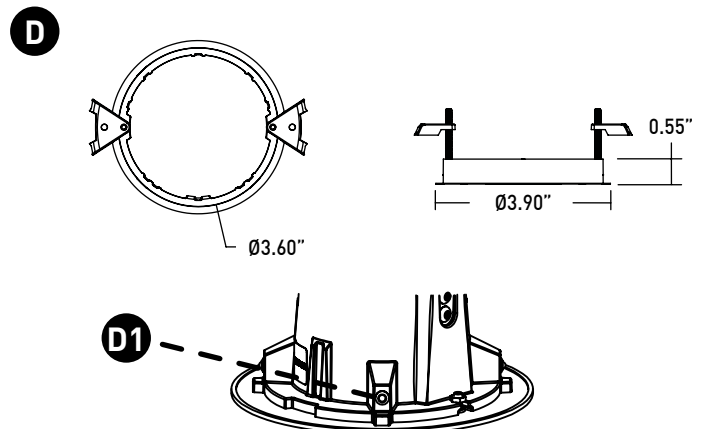
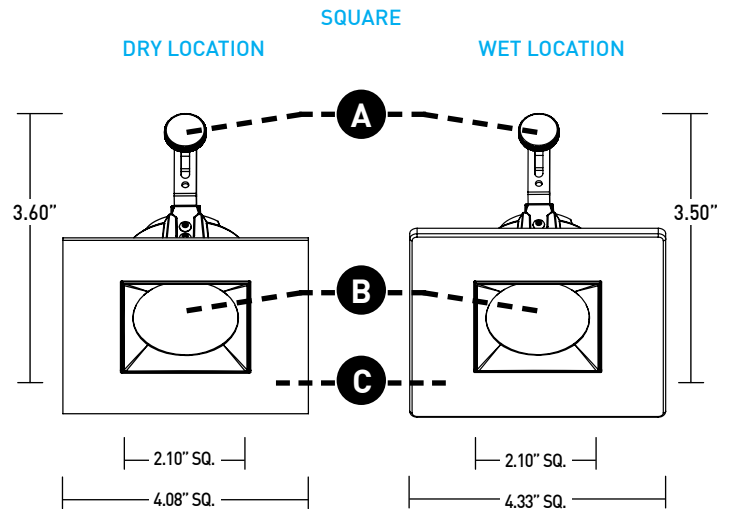
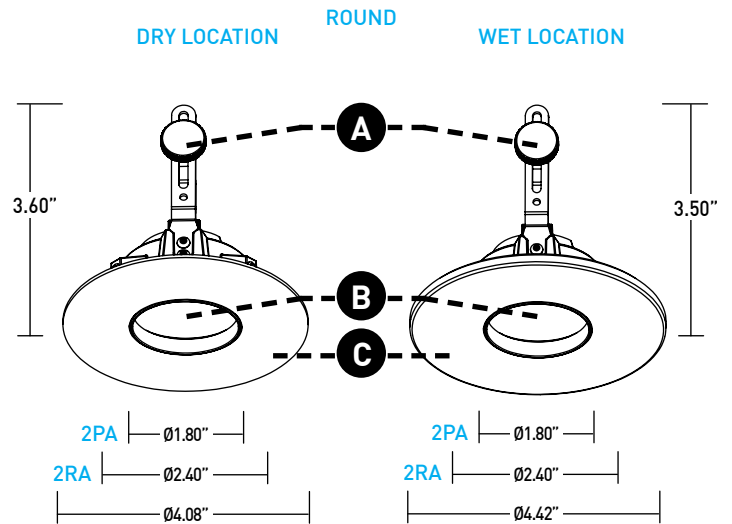
# 2 SERIES HAL SHALLOW REGRESS

## DOWNLIGHT

Die-cast shallow baffle minimizes aperture glare and conceals view into housing. Black finish standard.

- A** **ADJUSTABLE YOKE**  
Adjustable yoke allows for quick exchange of lamp and effects devices. Accommodates up to 2 effects devices.
- B** **EFFECTS DEVICES**  
Soft Focus Lens standard; effects device must be specified. Lens is sealed in aperture in Wet location trim. Secondary effects device available.
- C** **TRIM PLATE**  
Wet location features integral silicone gasket.
  - Dry / Damp Location: Thickness measures 0.065"
  - Wet Location: Sealed aperture and integral silicone gasket. 0.15" return, installed as flange overlay only.
- D** **DOWNLIGHT TRIM ADAPTER**  
Included with fixture and required for installation. Uses (2) #6-32 flat-head screws with varying lengths to accommodate ceiling depth. Installed after ceiling is complete. Requires 3.75" cutout for flange overlay applications.
- D1** **RETENTION**  
Engineered integral ball plungers correspond to trim adaptor ensuring snug fit against finished ceiling.

## DIMENSIONS / DRAWINGS



# 2 SERIES HAL SHALLOW REGRESS

## HOUSING

- E NO INSULATION CONTACT (NON-IC) HOUSING**
  - Included with NC install types.
  - Minimum 0.50" setback from combustible and non-combustible materials on all sides and top of housing.
  - Minimum 3.00" setback from insulation material having max R-Value 30 on all sides and top of housing.
  - Minimum 6.00" setback from polycell spray foam insulation having max R-Value 60.
- F INSULATION CONTACT (IC) HOUSING**
  - Included with AT and IC install types
  - No setback from polycell spray foam insulation having max R-Value of 60 on all sides and top of IC housing.

## HOUSING / MOUNTING NOTES

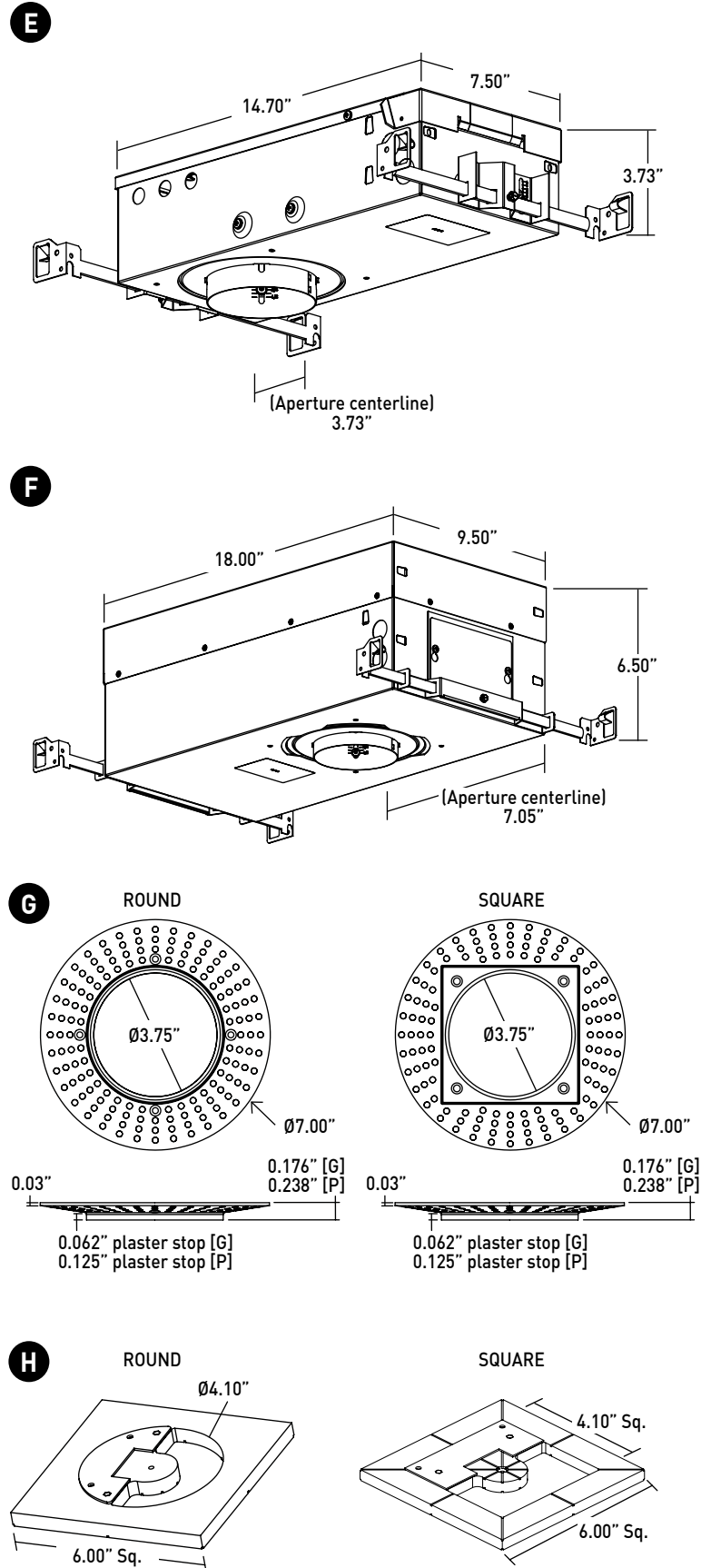
- AT install type is required for Chicago Plenum, Airtight and Title 24 (JA8) applications.
- Do not install in environments where ambient temperatures exceed 40°C (104°F).
- Power supply compartment and all splice connections may be serviced from room side.
- Consult factory for spacing requirements for any installations exceeding R-Value 60.
- Hanger bars fitted to short side of housing, and long side of Low Flux housings; extend from 14.0" to 24.0", but may be field cut to accommodate narrow stud spacing.
- Hanger bars and brackets add 4.00" to the overall dimension, but are exclusive of the setback requirements.
- Driver assembly ships with trim, not housing. Housing and trim feature mating quick-connect plugs for ease of installation.

## ZERO-SIGHTLINE INSTALLATIONS

Zero-Sightline installations available for Dry / Damp location fixtures only. When installed according to manufacturer's instructions and ceiling conditions are met, fixture is flush with the ceiling plane. Consult 2-Series Installation Guidelines for appropriate ceiling cutouts and instructions for proper Zero-Sightline installations.

- G APPLIQUÉ**
  - Specified on Flange Configuration and ships with housing; ships separately on remodel installations.
  - For use in sheetrock ceiling applications.
  - 1/16" Appliqué (G Flange Configuration) recommended for gypsum ceiling installations and has plaster stop thickness of 1/16".
  - Recommended for painted ceiling applications.
  - 1/8" Appliqué (P Flange Configuration) offers double thick plaster stop of 1/8" where a heavier application of mud is preferred. Recommended for colorfast and venetian plaster applications.
  - Not recommended for stucco applications.
- H ROUTER TOOL GUIDE**
  - Specified separately and used with Flange Overlay configurations.
  - For use in wood ceiling applications.
  - DLA-RTG-2S-RD** or **DLA-RTG-2S-SQ** required for wood Zero-Sightline ceiling installations.
  - Router tool guide is reusable and suitable for multiple fixtures.

## DIMENSIONS / DRAWINGS



# 2 SERIES HAL SHALLOW REGRESS

## TECHNICAL

### CONSTRUCTION

Downlight: Steel and aluminum; Painted finishes are granulated powder coat.

Trim Adaptor: High impact composite and stainless steel.

Housing: Steel and aluminum.

Appliqué: Zinc alloy.

### LAMP

MR-16 halogen and LED; 12-volt GU5.3 base and line / mains GU10 base. To ensure optimal results, it is recommended to specify lamps supplied by Lucifer Lighting. Note: MR-16 LED lamps, other than those listed, must be independently confirmed as compatible by the corresponding lamp manufacturer. Consult factory for assistance.

### DIMMING PROTOCOL

Best achieved using a corresponding reverse phase control for power supplies designated "EZ2" outfitted with electronic transformers and a forward phase control for power supplies designated "QT2" outfitted with toroid magnetic transformers. Compatibility and performance may vary between controls and applied loads.

WARNING: PHASE ADAPTIVE DIMMING MUST BE LOCKED AS FORWARD PHASE TO AVOID CATASTROPHIC FAILURE OF TOROID TRANSFORMERS.

### LISTING

cTUVus listed to UL1598 Dry / Damp and Wet locations. Chicago Plenum, Airtight and Title 24 JA8-2019 Listed.

### TITLE 24 JA8-2019 COMPLIANCE

Fixtures outfitted with any Vivid Series Soraa lamp (7.5W or 9W) are approved for TL24 JA8-2019.

### WARRANTY

Manufacturer's 1-year warranty, from the date of shipment by Seller, on all Lucifer Lighting provided system components. Consult website for full warranty terms and conditions. Lamps not covered under warranty.

### CHANGE LOG

1.02/10/2020: ADDED CHICAGO PLENUM TO AT HOUSING DESCRIPTION.