

CYLINDER 1 LVS

SURFACE MOUNT

PROJECT NAME:	TYPE:
---------------	-------



Highlight art, objects, places, spaces, seating areas, and architectural details with a classic profile that offers easy-to-adjust, in-field versatility.

ORDERING INFORMATION - CYLINDER

Quick Ship Product. All rough in components ship within 10 days up to quantities of 100.

CYLINDER	FIXTURE	RATING	CYLINDER FINISH	BAFFLE FINISH	LUMEN PACKAGE	CCT	OPTIC	DRIVER	EFFECTS DEVICE	MOUNTING
CY1				BK				LVS		
CY1 2.50"	AD Standard 42°	1 Dry/Damp 2 Wet	WH White	BK Black	STATIC WHITE 80C12A 80+ CRI, Delivered Lumens - 790 80C19A 80+ CRI, Delivered Lumens - 1216 90C10A 90+ CRI, Delivered Lumens - 676 90C15A 90+ CRI, Delivered Lumens - 1039 97C09A 97+ CRI, Delivered Lumens - 603 97C14A 97+ CRI, Delivered Lumens - 925	22 2200K* *Only available for 90+ CRI	10 10°* *Only available for 80C12A, 90C10A, and 97C09A. Not available for 2200K!	LVS Low Voltage System	STANDARD EFFECTS DEVICE 4 Soft Focus Lens 0 No Lens* *(Standard for 10° optic. Not available for Warm Dim, or Wet location)	ROUGH-IN JBMP 4" Sq. or 4/0 Junction Box Mounting Plate
	9D Max 90° Tilt* *(Not available for Wet location; Increased lead time)		AB Architectural Bronze* *(Increased lead time)							
	AS Standard 42° Shallow Canopy* *(Increased lead time)	AG Satin Silver* *(Increased lead time)								
9S Max 90° Tilt Shallow Canopy* *(Not available for Wet location; increased lead time)	MA Machined Aluminum* *(Not available for 9D, 9S, or Wet location)	CF Custom Finish* *(Consult Factory)	WARM DIM 90W11A 90+ CRI, Delivered Lumens - 869 Incandescent Profile WL 2700K - 1800K 90W13A 90+ CRI, Delivered Lumens - 915 Halogen Profile WD 3200K - 1800K *SEE PAGE 3 FOR DETAILED WARM DIM PROFILE COMPARISON.	20 20° 40 40° 60 60°	20 20° 40 40° 60 60°	ALTERNATE EFFECTS DEVICE 2 Honeycomb Louver* *(Not available for Warm Dim, or Wet location) 3 Clear Glass Lens* *(Not available for Warm Dim) 5 Frosted Glass Lens 6 Frosted Soft Focus Lens 7 Frosted Linear Spread Lens				
					*ALL DELIVERED LUMEN OUTPUTS REFLECT 3000K PAIRED WITH 40° OPTIC AND SOFT FOCUS LENS.					



PART NUMBER NOTES

- CY1 ships as e.g., CY1-AD-1-WH-90C10A2-3-LVS-4
- JBMP ships as CY1-JBMP
- SMK3 ships as CY1-SMK-3/0-(finish)
- SMK4 ships as CY1-SMK-4/0-(finish)
- CMJB ships as CY1-CMJB-(finish)

ACCESSORIES

ALTERNATE EFFECTS DEVICES

- HCL-CY1-03** Honeycomb Louver*
*(Not available for Warm Dim, or Wet location)
- CGL-CY1-03** Clear Glass Lens*
*(Not available for Warm Dim)
- SFL-CY1-03** Soft Focus Lens
- FGL-CY1-03** Frosted Glass Lens
- FSFL-CY1-03** Frosted Soft Focus Lens
- FLSL-CY1-03** Frosted Linear Spread Lens

REPLACEMENT OPTICS

Interchangeable optics accessible by removing snoot.




- RO-50-15-2** 15° optic*
*(Not available for Warm Dim)
- RO-50-20-2** 20° optic
- RO-50-40-2** 40° optic
- RO-50-60-2** 60° optic

CYLINDER 1 LV SURFACE MOUNT

APPLICATION NOTES

- Lucifer Lighting will not supply a fixture with a POE node or power supply inside the fixture. This allows for easier site install with nodes of 2 or more outputs.
- Consult node manufacturer for maximum remote wiring distances.
- Fixture features 18 Gauge wiring.
- Wiring connections are made on the fixture using customer supplied connectors, ex. wire nuts, push-in connectors, or terminal blocks.
- Confirm node compatibility with factory if it is not listed.
- Customers are responsible for ensuring POE node drive current is set to correct values shown below.
- Customers must ensure voltage range of the proposed POE node encompasses the fixtures complete Vf range, both maximum and minimum. If assistance is required contact LLC rep or factory.

NODE COMPATIBILITY

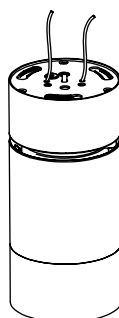
Manufacturer	Model Number
 Igor Enabling Smart Buildings™	NP50-60-C-F-5
 molex	180996-1001 180996-1002 180996-2001 180996-2002
 PLATFORMATICS	1 Channel Node, POE-LN2-1U-E 2 Channel Node, POE-LN2-2U-E 4 Channel Node, POE-LN2-4U-E

DRIVE CURRENT SPECIFICS

	80C		90C		97C		90W	
	12A	19A	10A	15A	09A	14A	11A	13A
Minimum Vf	30.5	30.5	30.5	30.5	30.5	30.5	30.5	30.5
Maximum Vf	39	39	39	39	39	39	39	39
Current mA	250	400	250	400	250	400	400	400
Wattage W	8.2	13.6	8.2	13.6	8.2	13.6	13.6	13.6

	10 DEGREE OPTIC		
	80C12A	90C10A	97C10A
Minimum Vf	30.5	30.5	30.5
Maximum Vf	39	39	39
Current mA	400	400	400
Wattage W	13.6	13.6	13.6

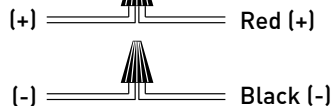
WIRING DIAGRAM



LV CONSTANT
CURRENT SOURCE:

POE NODE OR
REMOTE DRIVER

Class 2
Wiring



CYLINDER

CYLINDER 1 LVS SURFACE MOUNT

STATIC WHITE PERFORMANCE - 3000K

LUMEN PACKAGE	WATTAGE	10° OPTIC NO SOFT FOCUS LENS		15° OPTIC SOFT FOCUS LENS		20° OPTIC SOFT FOCUS LENS		40° OPTIC SOFT FOCUS LENS		60° OPTIC SOFT FOCUS LENS	
		DELIVERED	LPW	DELIVERED	LPW	DELIVERED	LPW	DELIVERED	LPW	DELIVERED	LPW
80C12A	10	693	40 (17W)	884	88	665	67	790	79	791	79
80C19A	17	-	-	1363	81	1024	60	1216	76	1218	72
90C10A	10	587	34 (17W)	731	73	569	57	676	68	676	68
90C15A	17	-	-	1127	67	874	51	1039	61	1040	61
97C09A	10	542	31 (17W)	666	67	508	51	603	60	604	61
97C14A	17	-	-	1028	61	779	46	925	54	926	55
90W11A	16	-	-	-	-	739	47	869	54	873	55
90W13A	16	-	-	-	-	785	49	915	57	919	57

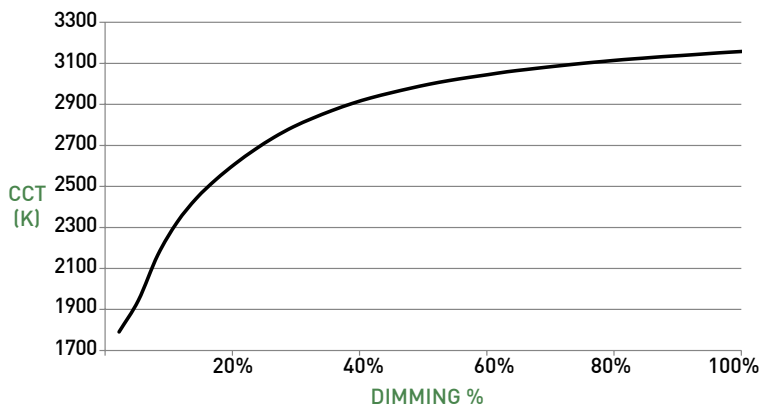
OUTPUT MULTIPLIER	
CCT	CCT SCALE
2200K	0.800
2700K	0.957
3000K	1.000
3500K	1.019
4000K	1.030

LIGHT LOSS FACTOR MULTIPLIER	
No Lens	
CGL	1.05
SFL	1.00
FGL	0.90
FSFL	0.87
FLSL	0.83
HCL	0.65

WARM DIM PERFORMANCE - SOFT FOCUS LENS - 40° OPTIC

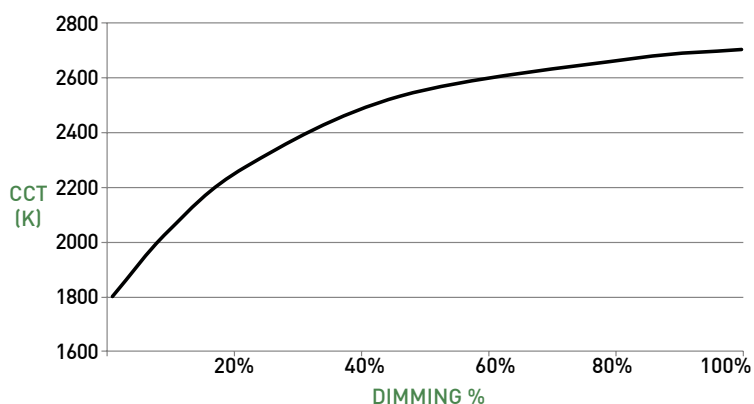
WARM DIM TO MIRROR HALOGEN DIMMING PROFILE

90W13A 3200K - 1800K	Full on 100%	Dimmed to 80%	Dimmed to 70%	Dimmed to 50%	Dimmed to 20%	Dimmed to 10%	Dimmed to 2%
CCT (K)	3200	3150	3100	3000	2700	2200	1800
Light Output (Lm)	915	732	641	457	183	91	18
Power (W)	16	13	11	8	3	1.7	0.3
Efficacy (LPW)	57	57	57	57	57	57	57



WARM DIM TO MIRROR INCANDESCENT DIMMING PROFILE

90W11A 2700K - 1800K	Full on 100%	Dimmed to 80%	Dimmed to 70%	Dimmed to 50%	Dimmed to 20%	Dimmed to 10%	Dimmed to 2%
CCT (K)	2700	2650	2620	2520	2180	1950	1800
Light Output (Lm)	869	880	770	550	220	110	30
Power (W)	16	13	11	8	3	1.7	0.3
Efficacy (LPW)	54	54	54	54	54	54	54

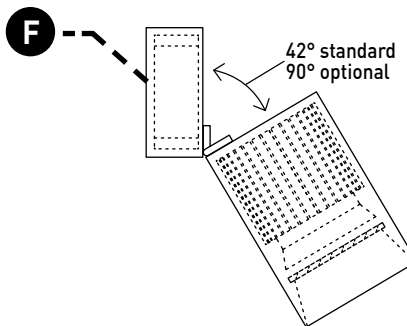
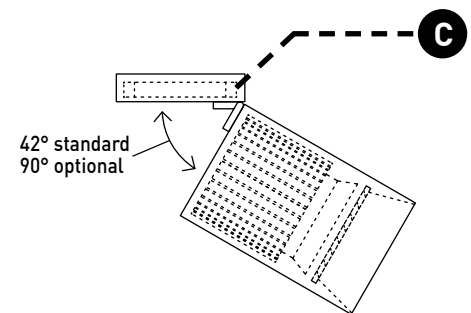
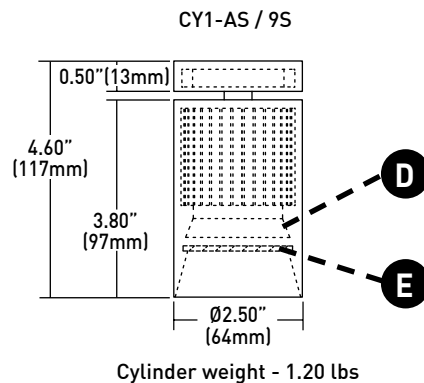
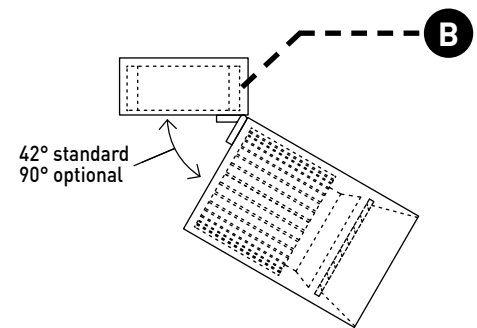
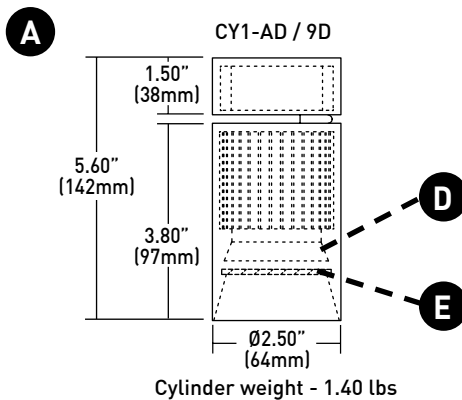


CYLINDER 1 LVS SURFACE MOUNT

STEM ASSEMBLY

- A LUMINAIRE**
Body with integrated heat sink and LED. Conceals hidden twist-on mounting hardware. Power supply must remote mount.
- B STANDARD CANOPY**
Die-cast canopy accommodates flat and slope ceiling conditions. Conceals hidden twist-on mounting hardware. "AD" (42° tilt) and "9D" (90° tilt) canopy features 1.50" (38mm) tall canopy.
- C SHALLOW CANOPY**
Die-cast canopy accommodates flat and slope ceiling conditions. Conceals hidden twist-on mounting hardware. "AS" (42° tilt) and "9S" (90° tilt) canopy features 0.50" (13mm) tall canopy, reducing overall height.
- D STANDARD OPTICS**
Proprietary optics available in 10°, 15°, 20°, 40° & 60° beams.
- E EFFECTS DEVICE**
Threaded removable cowling provides virtually seamless joint with fixture body and accepts 1 lens; soft focus lens standard. Sealed in place for Wet locations.
- F WALL-MOUNT**
Cylinder may be wall mounted using any mounting option, Dry / Damp location only.

DIMENSIONS / DRAWINGS

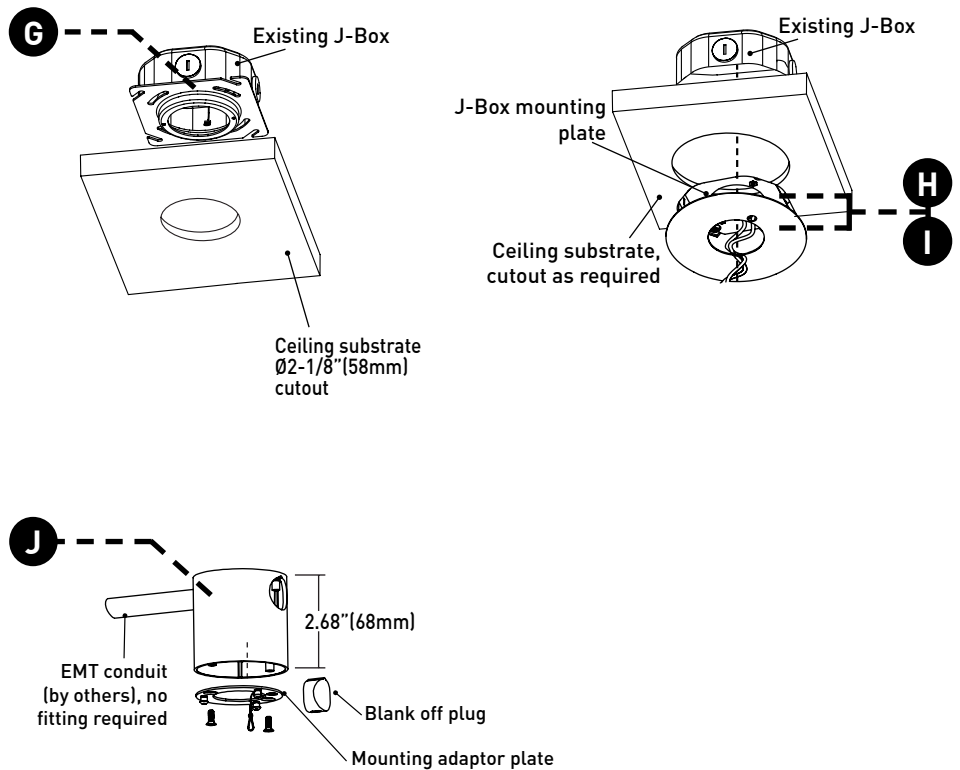


CYLINDER 1 LVS SURFACE MOUNT

MOUNTING

- G JBMP**
Mounting plate (concealed) for standard 4" square or 4" 4/0 j-box . To be installed during rough-in prior to substrate. Fixture to mount flush with minimalist transition to ceiling.
- H SMK3**
Surface mount kit includes mounting plate and 4" concealer plate that installs between fixture and standard 3" 3/0 j-box for existing applications where standard j-box cutout is to be concealed.
- I SMK4**
Surface mount kit includes mounting plate and 5" concealer plate that installs between fixture and standard 4" 4/0 j-box for existing applications where standard j-box cutout is to be concealed.
- J CMJB**
Ceiling mount junction box perfectly matches the cylinder profile for a continuous, integrated look where exposed ceiling mount junction box and conduit applications apply. For use with 1/2" and 3/4" EMT conduit only. Features two conduit entrances on either side and one conduit knockout on top of j-box. J-box is IP10 rated; painted finishes only. Blank off plugs included.

DIMENSIONS / DRAWINGS



MOUNTING NOTES

- CY1-JBMP and CY1-SMK-3/0 & 4/0 not recommended for use with pancake style j-box.

CYLINDER 1 LVS SURFACE MOUNT

TECHNICAL

CONSTRUCTION

Cylinder: Die-cast aluminum body; extruded aluminum internal heat-sink; painted finishes are granulated powder coat.

CMJB: Die-cast aluminum body; painted finishes are granulated powder coat.

STATIC WHITE LED

2-step MacAdam ellipse LED module available in 80+, 90+ and 97+ CRI configurations in color temperatures of 2200K, 2700K, 3000K, 3500K and 4000K. Average rated lamp life: 50,000 hours. LED and driver assemblies are field-replaceable.

WARM DIM LED

3-step MacAdam ellipse warm dim LED module available in 90+ CRI configuration. 3200K or 2700K at full brightness, warming to 1800K at full dim. Average rated lamp life of 50,000 hours. LED and driver assemblies are field-replaceable.

MOUNTING

Cylinder is supplied with a mounting adaptor plate, which integrates with required additional mounting accessories specified separately according to field application conditions, providing a minimalist transition from standard 4/0 or 4" square junction boxes and accommodating ceiling thicknesses of 0.44" (12mm) to 0.75" (19mm). Ceiling-mount junction box available for 1/2" (13mm) and 3/4" (19mm) conduit and feature concealed internal clamps for clean fitting-free conduit exit and entry.

LISTING

cTUVus listed to UL2108 standard for Dry / Damp and Wet locations.

WARRANTY

Manufacturer's 1-year warranty guarantees product(s) listed to be free from defects in material and workmanship under normal use and service. 5-year warranty on LED to operate with 70% of the original flux and remain within a range of 3 duv. Warranty period begins from the date of shipment by Seller. [Consult website for full warranty terms and conditions.](#)

CHANGE LOG

1. 01/12/2021: ADDED 2200K, 2700K-1800K WARM DIM AND 10 DEGREE OPTIC OFFERINGS.