

FRAXION® 3 SLIM LVS

FIXED

Lots of light in an under-the-radar profile, with multiple design and installation options, ideal for corporate offices and retail settings.

PROJECT NAME:	TYPE:
----------------------	--------------



ORDERING INFORMATION - DOWNLIGHT / HOUSING

Quick Ship Product. All rough in components ship within 10 days up to quantities of 100.

SHAPE	TRIM	RATING	TYPE	FLANGE FINISH	BAFFLE FINISH	LUMEN PACKAGE	CCT	OPTIC	INSTALL TYPE	CEILING THICKNESS	POWER SUPPLY	EFFECTS DEVICE
F3R Round F3S Square	M Microflange T Trimless Drywall W Trimless Wood* <small>*(Not available for Wet location)</small>	1 Dry/Damp 2 Wet* <small>*(Requires provided suction cup to service or aim & focus)</small>	F Fixed	WH White BK Black PR Primer AU Cashmere Gold AG Satin Silver BB Burnt Bronze 00 Trimless* <small>*(Required for trimless)</small> CF Custom Finish* <small>*(Consult Factory)</small>	WH White BK Black PR Primer AU Cashmere Gold AG Satin Silver BB Burnt Bronze CF Custom Finish* <small>*(Consult Factory)</small>	STATIC WHITE 80C12A 80+ CRI Divd. Lumens - 795 80C16A 80+ CRI Divd. Lumens - 1095 80C23A 80+ CRI Divd. Lumens - 1506 90C10A 90+ CRI Divd. Lumens - 683 90C14A 90+ CRI Divd. Lumens - 936 90C19A 90+ CRI Divd. Lumens - 1291 97C10A 97+ CRI Divd. Lumens - 608 97C12A 97+ CRI Divd. Lumens - 833 97C17A 97+ CRI Divd. Lumens - 1151* <small>*(Not available for IC housings)</small>	22 2200K* <small>*(Only available with 90C10A and 90C14A)</small> 27 2700K 30 3000K 35 3500K 40 4000K	10 10°* <small>*(Only available with 80C12A, 90C10A and 97C10A. Not available with 2200K)</small> 15 15° 22 22° 40 40° 60 60° 85 85°* <small>*(Uses 60° optic and optional configuration 14 [WDL] to achieve 85° beam spread)</small>	REMOTE IC, Remote W NIC, Remote D IC, Airtight, Remote* <small>*(Chicago Plenum & Airtight compliant housing)</small>	1 0.50" - 1.375" 2 1.375" - 2.125" T 0.50" - 1.375"* <small>*(Includes adjustable housing height bracket)</small>	LVS Low Voltage System	STANDARD EFFECTS DEVICE 04 Soft Focus Lens 00 No Lens* <small>*(Standard and only available with 10° optic. Not available for Wet Location)</small> ALTERNATE EFFECTS DEVICE 02 Honeycomb Louver* <small>*(Not available for Wet location or Warm Dim)</small> 03 Clear Glass Lens* <small>*(Not available for Warm Dim)</small> 05 Frosted Glass Lens 08 Frosted Soft Focus Lens 14 Wide Distribution Lens* <small>*(Required and only available for 85° beam spread)</small> 26 Frosted Linear Spread Lens
						WARM DIM 90W11A 90+ CRI Divd. Lumens - 857 Incandescent Profile 90W13A 90+ CRI Divd. Lumens - 902 Halogen Profile *SEE PAGE 3 FOR DETAILED WARM DIM PROFILE COMPARISON. *ALL DELIVERED LUMEN OUTPUTS REFLECT 3000K PAIRED WITH 40° OPTIC AND SOFT FOCUS LENS.	WL 2700K - 1800K WD 3200K - 1800K	22 22° 40 40° 60 60° 85 85°* <small>*(Uses 60° optic and optional configuration 14 [WDL] to achieve 85° beam spread)</small>				



PART NUMBER NOTES




- Housing and trim ship as e.g., F3RM1F-WHWH-90C10A2-3V1-LVS

FRAXION3SLIM LVS FIXED

APPLICATION NOTES

- Lucifer Lighting will not supply a fixture with a POE node or power supply inside the fixture. This allows for easier site install with nodes of 2 or more outputs.
- Consult node manufacturer for maximum remote wiring distances.
- Housing and Fixture feature 18 Gauge wiring.
- Wiring connections are made in the splicing compartment or on the fixture using customer supplied connectors, ex. wire nuts, push-in connectors, or terminal blocks.
- Confirm node compatibility with factory if it is not listed.
- Customers are responsible for ensuring POE node drive current is set to correct values shown below.
- Customers must ensure voltage range of the proposed POE node encompasses the fixtures complete Vf range, both maximum and minimum. If assistance is required contact LLC rep or factory.

NODE COMPATIBILITY

Manufacturer	Model Number
 Igor Enabling Smart Buildings™	NP50-60-C-F-5
 molex	180996-1001 180996-1002 180996-2001 180996-2002
 PLATFORMATICS	1 Channel Node, POE-LN2-1U-E 2 Channel Node, POE-LN2-2U-E 4 Channel Node, POE-LN2-4U-E

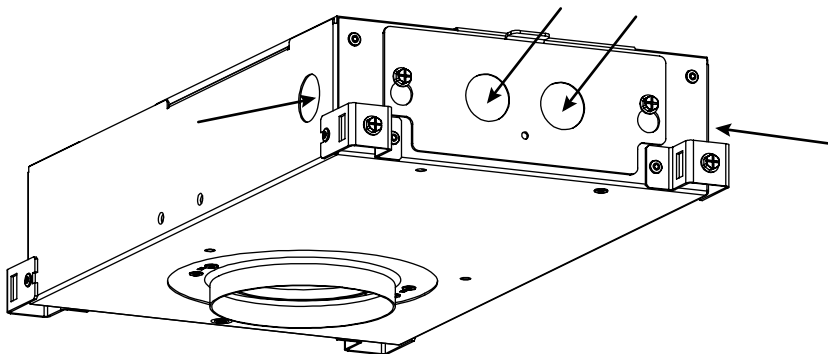
DRIVE CURRENT SPECIFICS

	80C			90C			97C			90W	
	12A	16A	23A	10A	14A	19A	10A	12A	17A	11A	13A
Minimum Vf	30.5	30.5	30.5	30.5	30.5	30.5	30.5	30.5	30.5	30.5	30.5
Maximum Vf	39	39	39	39	39	39	39	39	39	39	39
Current mA	250	350	500	250	350	500	250	350	500	350	350
Wattage W	8.2	11.8	17.4	8.2	11.8	17.4	8.2	11.8	17.4	11.8	11.8

	10 DEGREE OPTIC		
	80C12A	90C10A	97C10A
Minimum Vf	30.5	30.5	30.5
Maximum Vf	39	39	39
Current mA	350	350	350
Wattage W	11.8	11.8	11.8

WIRING DIAGRAM AND HOUSING ENTRY/ EXIT POINTS

FIXED HOUSING




LV CONSTANT
CURRENT SOURCE:

POE NODE OR
REMOTE DRIVER

(+)  Red (+)

Class 2
Wiring

(-)  Black (-)

HOUSING

FRAXION3SLIM LVS FIXED

ACCESSORIES

ROUND ALTERNATE EFFECTS DEVICES

Dry / Damp location only

Wet location requires alternate baffle.

- HCL-F3R** Honeycomb Louver w/ Diffusion Lens*
*(Not available for Warm Dim or Wet locations)
- CGL-F3R** Clear Glass Lens*
*(Not available for Warm Dim)
- FGL-F3R** Frosted Glass Lens
- SFL-F3R** Soft Focus Lens
- FSFL-F3R** Frosted Soft Focus Lens
- WDL-F3R** Wide Distribution Lens*
*(For use with 60° optic only)
- FLSL-F3R** Frosted Linear Spread Lens

SQUARE ALTERNATE EFFECTS DEVICES

Dry / Damp location only

Wet location requires alternate baffle.

- HCL-F3S** Honeycomb Louver w/ Diffusion Lens*
*(Not available for Warm Dim or Wet locations)
- CGL-F3S** Clear Glass Lens*
*(Not available for Warm Dim)
- FGL-F3S** Frosted Glass Lens
- SFL-F3S** Soft Focus Lens
- FSFL-F3S** Frosted Soft Focus Lens
- WDL-F3S** Wide Distribution Lens*
*(For use with 60° optic only)
- FLSL-F3S** Frosted Linear Spread Lens

REPLACEMENT OPTICS

Interchangeable optics accessible through fixture aperture.

- RO-50-15-2** 15° optic*
*(Not available for Warm Dim)
- RO-50-22-2** 22° optic
- RO-50-40-2** 40° optic
- RO-50-60-2** 60° optic

ALTERNATE BAFFLE ASSEMBLY (INCLUDES EFFECTS DEVICE)

ASSEMBLY	SHAPE	RATING	TYPE	BAFFLE FINISH	EFFECTS DEVICE
RBA			F		
REPLACEMENT BAFFLE ASSEMBLY	F3R Round F3S Square	1 Dry / Damp 2 Wet* *(Requires suction cup to service or aim & focus)	F Fixed	WH White BK Black PR Primer AU Cashmere Gold AG Satin Silver BB Burnt Bronze CF Custom Finish * *(Consult Factory)	Leave blank for standard Soft Focus Lens CGL Clear Glass Lens * *(Not available for Warm Dim) FGL Frosted Glass Lens FSFL Frosted Soft Focus Lens WDL Wide Distribution Lens * *(For use with 60° optic only) FLSL Frosted Linear Spread Lens

REPLACEMENT SUCTION TOOL

One included with every six fixtures designated Wet location.

- F4-TOOL-SUCTION** Allows for removal of Wet Location baffles

T-GRID ACCESSORY KIT

Supplied with ceiling thickness "T" and recommended for installations in T-Grid and furring channel up to 1.5" tall. Available for ceiling thicknesses from 0.50" - 2.125".

- TG-FX3-KIT**

HANGER BAR EXTENDER KIT

Extends hanger bars from 24.0" to 46.0" maximum.

- FRX-HBE-46** Extender, Hanger Bar

FRAXION3SLIM LVS FIXED

PERFORMANCE - 3000K

LUMEN PACKAGE	WATTAGE	10° OPTIC NO SOFT FOCUS LENS		15° OPTIC SOFT FOCUS LENS		22° OPTIC SOFT FOCUS LENS		40° OPTIC SOFT FOCUS LENS		60° OPTIC SOFT FOCUS LENS		85° OPTIC WIDE DISTRIBUTION LENS	
		DELIVERED	LPW	DELIVERED	LPW	DELIVERED	LPW	DELIVERED	LPW	DELIVERED	LPW	DELIVERED	LPW
80C12A	10	739	51 (14W)	872	86	729	72	795	79	784	78	623	62
80C16A	14	-	-	1191	82	1003	71	1095	78	1079	77	857	61
80C23A	21	-	-	1642	77	1381	65	1506	71	1486	70	1180	56
90C10A	10	627	44 (14W)	721	71	626	62	683	68	673	67	535	53
90C14A	14	-	-	984	68	858	61	936	66	923	65	733	52
90C19A	21	-	-	1357	63	1184	56	1291	61	1273	60	1011	48
97C10A	10	578	40 (14W)	657	65	557	55	608	60	599	59	476	47
97C12A	14	-	-	897	62	763	54	833	59	821	58	652	46
97C17A	21	-	-	1238	58	1055	50	1151	58	1135	54	901	42
90W11A	14	-	-	-	-	690	49	857	61	814	58	719	51
90W13A	14	-	-	-	-	726	51	902	64	857	61	757	54

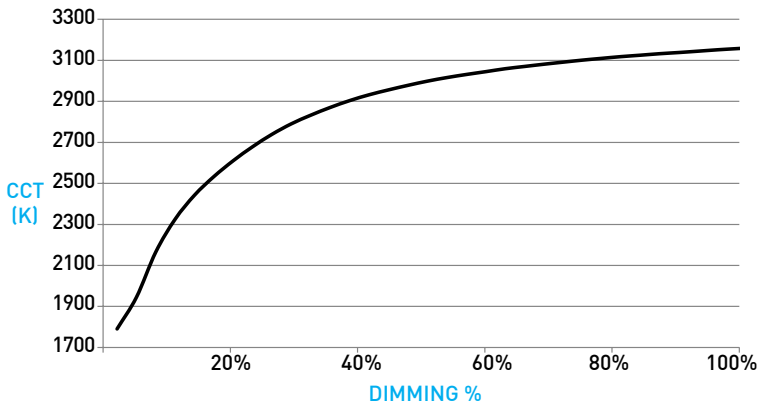
OUTPUT MULTIPLIER	
CCT	CCT SCALE
2200K	0.800
2700K	0.957
3000K	1.000
3500K	1.019
4000K	1.030

LIGHT LOSS FACTOR MULTIPLIER	
CGI	CGI
CGL	1.05
SFL	1.00
FGL	0.90
FSFL	0.87
FLSL	0.83
WDL	0.78

WARM DIM PERFORMANCE - SOFT FOCUS LENS - 40° OPTIC

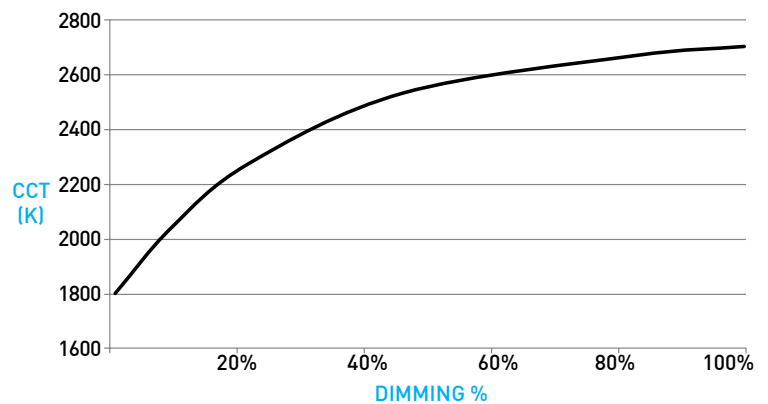
WARM DIM TO MIRROR HALOGEN DIMMING PROFILE

90W13A 3200K - 1800K	Full on 100%	Dimmed to 80%	Dimmed to 70%	Dimmed to 50%	Dimmed to 20%	Dimmed to 10%	Dimmed to 2%
CCT (K)	3200	3150	3100	3000	2700	2200	1800
Light Output (Lm)	902	722	631	451	180	90	18
Power (W)	14	11	10	7	3	1.5	0.3
Efficacy (LPW)	64	64	64	64	64	64	64



WARM DIM TO MIRROR INCANDESCENT DIMMING PROFILE

90W11A 2700K - 1800K	Full on 100%	Dimmed to 80%	Dimmed to 70%	Dimmed to 50%	Dimmed to 20%	Dimmed to 10%	Dimmed to 2%
CCT (K)	2700	2650	2620	2520	2180	1950	1800
Light Output (Lm)	857	686	600	428	171	86	17
Power (W)	14	11	10	7	3	1.5	0.5
Efficacy (LPW)	61	61	61	61	61	61	61

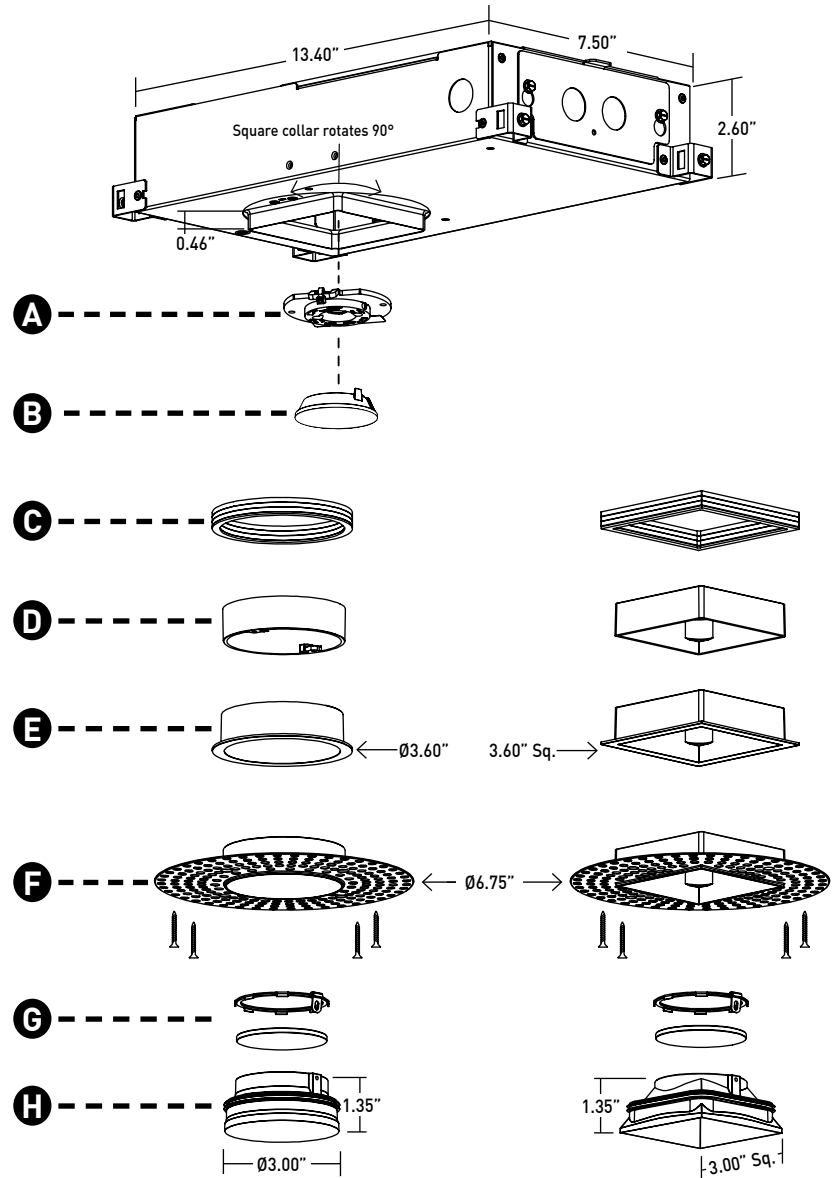


FRAXION3SLIM LVS FIXED

DOWNLIGHT / HOUSING

- A LED**
Integral LED module design enables field service / replacement through housing aperture.
 - B OPTIC**
Proprietary optic integrates Reflection, Refraction and TIR offering 10°, 15°, 22°, 40° & 60° beams.
 - C TRIMLESS WOOD SPACERS**
Provided for Trimless Wood installations; includes (1) 1/16" spacer and (5) 1/8" spacers.
 - D TRIM EXTENSION**
Provided for -2 ceiling thickness; accommodates 2.125" max ceiling thickness.
 - E MICROFLANGE PROFILE**
Features 0.30" flange. Thickness measures 0.06". Installed after ceiling is complete. Requires 3.375" diameter cutout. Wet location features integral silicone gasket.
 - F TRIMLESS DRYWALL PROFILE**
Installs totally flush with the ceiling with no visible trim. Appliqué includes screws for mounting and has 0.06" plaster stop. Not recommended for stucco applications.
 - G EFFECTS DEVICES / LENS RETAINER**
Fixture is limited to 1 effects device. Wet location effects device is sealed in place. Suction tool provided for removal of baffle with wet location. Lens retainer allows effects devices to be changed in Dry /Damp locations.
 - H ROUND BAFFLE**
Die-cast removable baffle provides easy access to tilting mechanism and features 62° glare cutoff. Minimizes aperture glare and conceals view into housing; includes gasket.
- SQUARE TRANSITIONAL BAFFLE**
Die-cast removable baffle provides easy access to tilting mechanism and features 62° glare cutoff. Transitions from square aperture at ceiling plane to round aperture at light source. Minimizes aperture glare and conceals view into housing; includes gasket.

DIMENSIONS / DRAWINGS



FRAXION3SLIM LVS FIXED

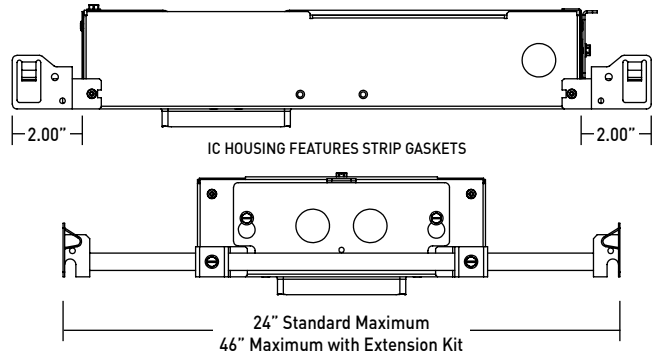
DOWNLIGHT / HOUSING

- I IC HOUSING**
 - For IC ceilings.
 - No setback from polycell spray foam insulation having max R-Value of 60 on all sides and top of housing.
- J NIC HOUSING**
 - Minimum 0.50" setback from combustible and non-combustible materials on all sides and top of housing.
 - Minimum 3.00" setback from insulation material having max R-Value 30 on all sides and top of housing.
 - Minimum 6.00" setback from polycell spray foam insulation having max R-Value 60.
- K ADJUSTABLE HANGER BAR HEIGHT ACCESSORY**

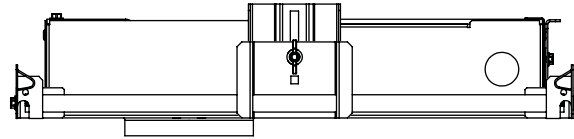
Provided with ceiling thickness "T" and recommended for installations in T-Grid and furring channel up to 1.5" tall. Hanger bars are installed to adjustable bracket. Allows housing to be raised and lowered; ceiling thickness remains 0.5" to 1.375" max.
- L APPLIQUÉ DETAIL**

Appliqué for plaster floating directly to baffle.

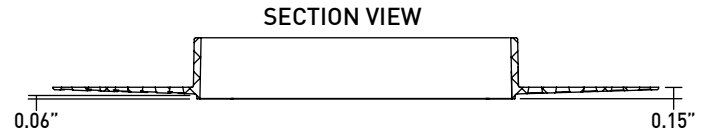
I / J



K



L



HOUSING NOTES

- Do not install in environments where ambient temperatures exceed 25°C (77°F).
- Splice connections may be serviced from room side.
- Consult factory for spacing requirements for any installations exceeding R-Value 60.
- Hanger bars fitted to short side of housing or long side when TG accessory is specified; extend from 14.0" to 24.0", but may be field cut to accommodate narrow stud spacing. Can be extended up to 46" maximum with FRX-HBE-46 kit.
- Hanger bars and brackets add 4.00" max to the overall dimension, but are exclusive of the setback requirements.
- Housings for round trims feature a round aperture housing collar. Housings for square trims feature a square housing collar that rotates up to 90 degrees for fixture alignment. Housing collars accommodate ceiling thicknesses between 0.50" and 2.125".

FRAXION3SLIM LVS FIXED

TECHNICAL

CONSTRUCTION

Downlight: Painted finishes are granulated powder coat.

Housing: Aluminum and 22 Gauge galvanized steel. Extruded aluminum housing panel to act as heat-sink.

Appliqué: Zinc alloy.

STATIC WHITE LED

2-step MacAdam ellipse LED module available in 80+, 90+ and 97+ CRI configurations in color temperatures of 2200K, 2700K, 3000K, 3500K and 4000K. Average rated lamp life of 50,000 hours. LED and driver assemblies are field-replaceable.

WARM DIM LED

3-step MacAdam ellipse warm dim LED module available in 90+ CRI configuration. 3200K or 2700K at full brightness, warming to 1800K at full dim. Average rated lamp life of 50,000 hours. LED and driver assemblies are field-replaceable.

LISTING

cTUVus listed to UL2108 standard for Dry / Damp and Wet locations. Chicago Plenum and Airtight Listed.

WARRANTY

Manufacturer's 1-year warranty guarantees product(s) listed to be free from defects in material and workmanship under normal use and service. 5-year warranty on LED to operate with 70% of the original flux and remain within a range of 3 duv. Warranty period begins from the date of shipment by Seller. [Consult website for full warranty terms and conditions.](#)

CHANGE LOG

1.01/12/2021: ADDED 2200K, 2700K-1800K WARM DIM AND 10 DEGREE OPTIC OFFERINGS.