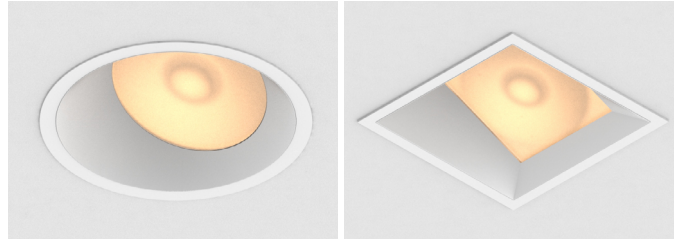


FRAXION® 4 SLIM

WALLWASH

Very versatile, highly configurable, and featuring extremely shallow housings, these 4-inch downlights are the widest aperture we offer, ideal for overall illumination in residential and commercial spaces.

PROJECT NAME:	TYPE:
---------------	-------



ORDERING INFORMATION - DOWNLIGHT / HOUSING

Quick Ship Product. All rough in components ship within 10 days up to quantities of 100.

JA8-2019 INDICATED BY SHADING

SHAPE	TRIM	RATING	FLANGE FINISH	BAFFLE FINISH	LUMEN PACKAGE	CCT	OPTIC	INSTALL TYPE	CEILING THICKNESS	POWER SUPPLY
F4R Round	FWW Standard Flange	1 Dry/Damp	WH White	WH White	STATIC WHITE 80C12A 80+ CRI, Delivered Lumens - 599 80C16A 80+ CRI, Delivered Lumens - 819 80C23A 80+ CRI, Delivered Lumens - 1129 80C30A 80+ CRI, Delivered Lumens - 1512* 80C36A 80+ CRI, Delivered Lumens - 1779* 80C58B 80+ CRI, Delivered Lumens - 2654* 90C10A 90+ CRI, Delivered Lumens - 495 90C14A 90+ CRI, Delivered Lumens - 677 90C19A 90+ CRI, Delivered Lumens - 933 90C26A 90+ CRI, Delivered Lumens - 1249* 90C30A 90+ CRI, Delivered Lumens - 1471* 90C50B 90+ CRI, Delivered Lumens - 2265* 97C10A 97+ CRI, Delivered Lumens - 452 97C12A 97+ CRI, Delivered Lumens - 617 97C17A 97+ CRI, Delivered Lumens - 851 97C23A 97+ CRI, Delivered Lumens - 1139* 97C27A 97+ CRI, Delivered Lumens - 1341*	27 2700K* *(Not Title 24 compliant with 97C10A) 30 3000K 35 3500K 40 4000K	WW Wallwash	INTEGRAL DRIVER X IC Y NIC C IC, Airtight* *(Chicago Plenum, Airtight & Title 24 compliant housing) REMOTE DRIVER V IC, Remote W NIC, Remote D IC, Airtight, Remote* *(Chicago Plenum, Airtight & Title 24 compliant housing)	1 0.50" - 1.00" T 0.50" - 1.00** *(Includes adjustable housing height bracket)	DOMESTIC (120V) TR2 Philips, 2% Leading/Trailing/Triac* *(Not available for 80C12A, 80C30A, 80C36A, 80C58B 90C10A, 90C26A, 90C30A, 90C50B, 97C10A, 97C23A, or 97C27A) L23 Lutron, Hi-Lume 1% 2-Wire* *(Not available for 80C58B or 90C50B) UNIVERSAL (120-277V) LH1 Lutron, Hi-Lume 1% Ecosystem* *(Not available for 80C58B or 90C50B) AN4 Philips Titanium 1% 0-10V, LOG* *(Not available for 80C58B or 90C50B) LN2 Philips Titanium 1% 0-10V, LIN* *(Not available for 80C58B or 90C50B) EA2 eldoLED, SOLdrive 0.1% 0-10V, LOG LA2 eldoLED, SOLdrive 0.1% 0-10V, LIN ED1 eldoLED, SOLdrive 0.1% DALI, LOG LD1 eldoLED, SOLdrive 0.1% DALI, LIN
	MWW Microflange	2 Wet	BK Black	BK Black						
F4S Square	FWW Standard Flange		PR Primer	PR Primer	TUNABLE WHITE 90T10B 90+ CRI, Delivered Lumens - 590 90T14B 90+ CRI, Delivered Lumens - 807 90T20B 90+ CRI, Delivered Lumens - 1059* *(Not available for IC housing applications)	TW Tunable White			TUNABLE WHITE POWER SUPPLIES (120-277V) DD1 eldoLED, DUALdrive 0.1% DALI, LOG DG1 eldoLED, DUALdrive 0.1% 0-10V, LOG DL1 eldoLED, DUALdrive 0.1% 0-10V, LIN	
	MWW Microflange		AU Cashmere Gold	AU Cashmere Gold						
	TWW Trimless		AG Satin Silver	AG Satin Silver						
			BB Burnt Bronze	BB Burnt Bronze						
			00 Trimless*	CF Custom Finish*						
			*(Required for trimless)	*(Consult Factory)						
			CF Custom Finish*	*(Consult Factory)						



PART NUMBER NOTES

- Housing and trim ship as e.g., F4RMWW1-WHWH-90C14A2-5X1-AN4
- Remote driver ships with fixture as e.g., PSF4-RMT-90C-14A-1L23

FRAXION4SLIM WALLWASH

ACCESSORIES

REPLACEMENT BAFFLE ASSEMBLY (INCLUDES EFFECTS DEVICE)

ASSEMBLY	SHAPE	TRIM	RATING	FLANGE FINISH
RBA				
REPLACEMENT BAFFLE ASSEMBLY	F4R Round	FWW Standard Flange MWW Microflange TWW Trimless	1 Dry / Damp 2 Wet	WH White BK Black PR Primer AU Cashmere Gold AG Satin Silver BB Burnt Bronze CF Custom Finish* *(Consult Factory)
	F4S Square	FWW Standard Flange MWW Microflange TWW Trimless		

1

REPLACEMENT OPTICS

Interchangeable optics accessible through fixture aperture.

- RO-70-WW-1** WW optic

TUNABLE WHITE REPLACEMENT OPTICS

Interchangeable optics accessible through fixture aperture.

- RO-70-WW-2** WW optic

EMERGENCY LIGHTING - REMOTE MOUNT ONLY

During disruption of main power, emergency battery inverter provides temporary 120V or 277V to fixture.

- EMB-S-20/25-120/277-LEDX** 20/25 watt max capacity, 120 or 277 VAC 60Hz, Non-dimmable
- EMB-S-100-120-LEDX** 100 watt max capacity, 120 VAC 60Hz, Dimmable
- EMB-S-100-277-LEDX** 100 watt max capacity, 277 VAC 60Hz, Dimmable
- EMB-S-250-120/277-LEDX** 250 watt max capacity, 120 or 277 VAC 60Hz, Dimmable

FRAXION4SLIM WALLWASH

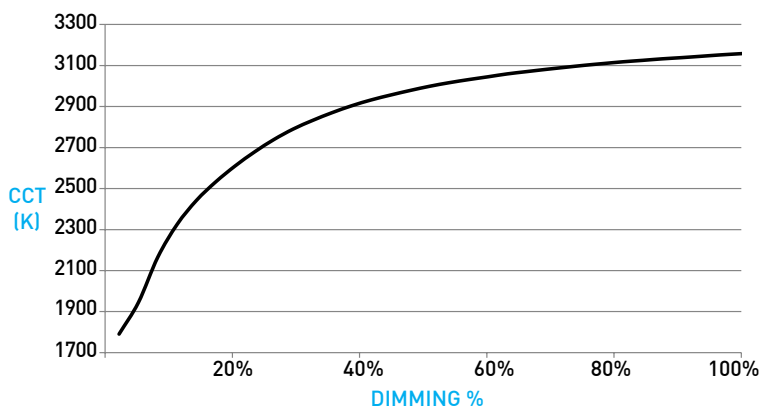
PERFORMANCE - 3000K - SOFT FOCUS LENS

LUMEN PACKAGE	WATTAGE	WW OPTIC	
		DELIVERED	LPW
80C12A	10	599	59
80C16A	17	819	57
80C23A	21	1129	53
80C30A	31	1512	48
80C36A	39	1779	46
80C58B	53	2654	50
90C10A	10	495	49
90C14A	17	677	47
90C19A	21	933	44
90C26A	31	1249	40
90C30A	39	1471	38
90C50B	53	2265	43
97C10A	10	452	45
97C12A	17	617	43
97C17A	21	851	40
97C23A	31	1139	37
97C27A	39	1341	35
90W13A	14	658	47
90T10B	14	590	42
90T14B	22	807	36
90T20B	31	1059	34

OUTPUT MULTIPLIER			
CCT	80+ CRI	90+ CRI	97+ CRI
2700K	1.158	0.957	0.873
3000K	1.211	1.000	0.912
3500K	1.234	1.019	0.927
4000K	1.249	1.030	0.940

WARM DIM PERFORMANCE

DETAILED PERFORMANCE	Full on 100%	Dimmed to 80%	Dimmed to 70%	Dimmed to 50%	Dimmed to 20%	Dimmed to 10%	Dimmed to 2%
CCT (K)	3200	3150	3100	3000	2700	2200	1800
Light Output (Lm)	1300	1050	900	630	250	115	25
Power (W)	14	11	10	7	3	1.5	0.3
Efficacy (LPW)	92	93	90	90	83	76	74

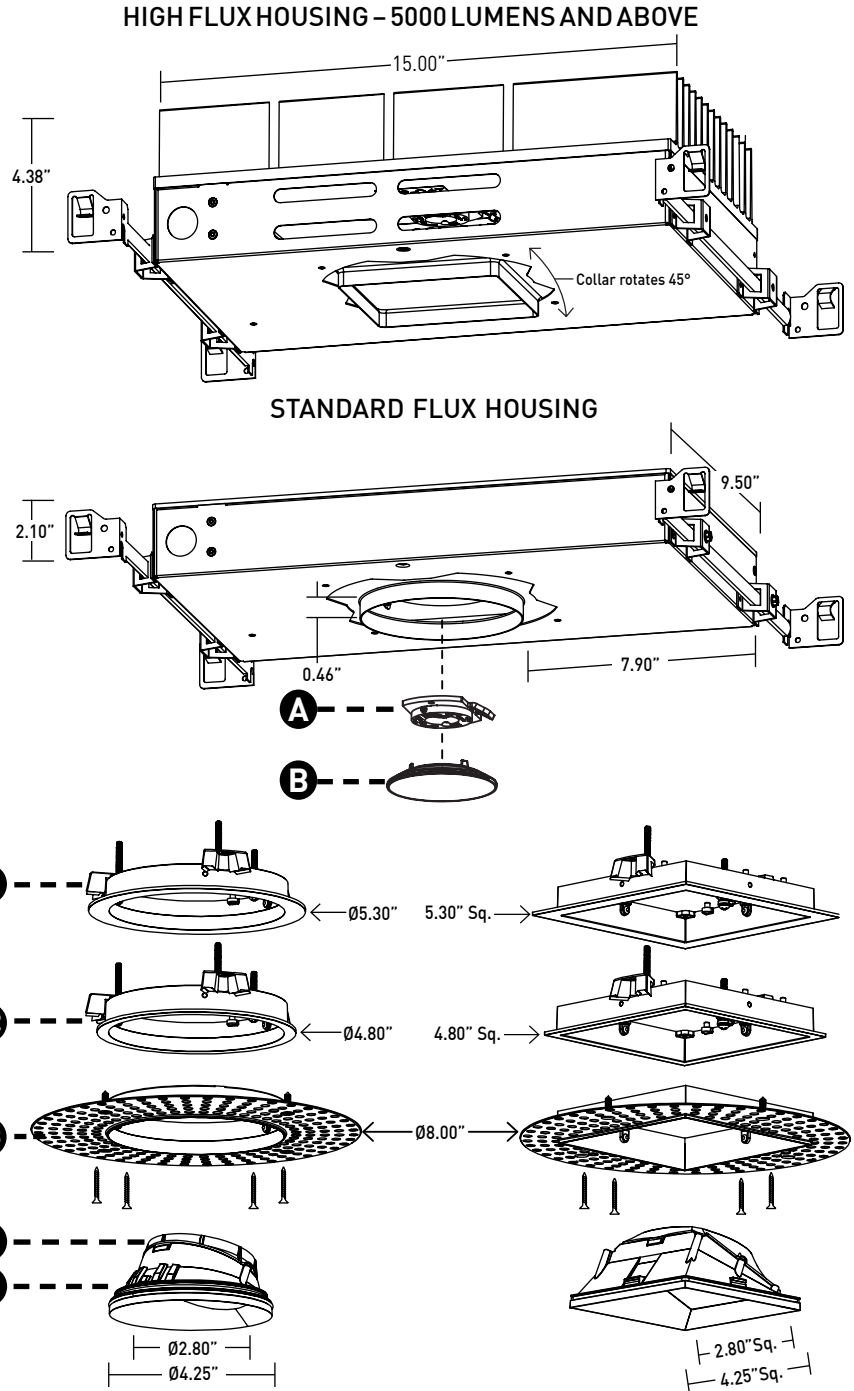


FRAXION4SLIM WALLWASH

DOWNLIGHT / HOUSING

- A LED**
Integral LED module design enables field service / replacement through housing aperture.
- B OPTIC**
Proprietary wallwash optic integrates Reflection, Refraction and TIR principles.
- C1 STANDARD FLANGE PROFILE**
Installed after ceiling is complete. Requires 4.625" diameter cutout. Provides 0.86" total contractor (goof) allowance with 0.50" flange. Thickness measures 0.06". Wet location features integral silicone gasket.
- C2 MICROFLANGE PROFILE**
Installed after ceiling is complete. Requires 4.625" diameter cutout. Provides 0.42" total contractor (goof) allowance with 0.28" flange. Thickness measures 0.06". Wet location features integral silicone gasket.
- C3 TRIMLESS PROFILE**
Installs totally flush with the ceiling with no visible trim. Appliqué includes screws for mounting and has 0.06" plaster stop. Not recommended for stucco applications.
- D EFFECTS DEVICES**
Asymmetrical spread lens, included and sealed in place, combined with angled optic and wide aperture enhance uniformity.
- E ROUND/SQUARE BAFFLE**
Die-cast removable baffle minimizes aperture glare and conceals view into housing; includes silicone gasket.

DIMENSIONS / DRAWINGS



FRAXION4SLIM FIXED

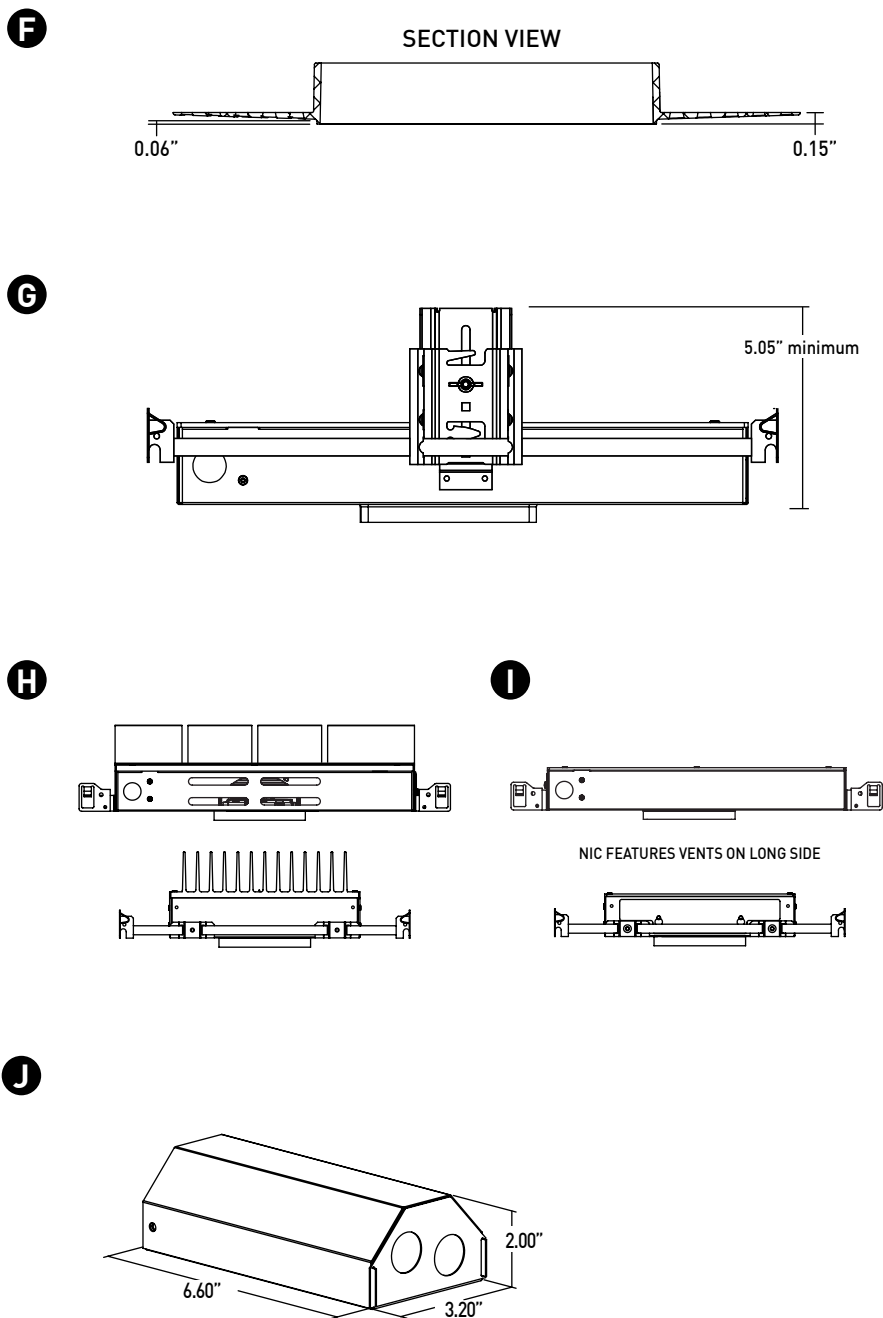
DOWNLIGHT / HOUSING

- F TRIMLESS APPLIQUÉ DETAIL**
Integrated appliqué for plaster floating directly to baffle.
- G ADJUSTABLE HANGER BAR HEIGHT ACCESSORY**
Provided with ceiling thickness "T" and recommended for installations in T-Grid and with furring channel. Hanger bars are installed to adjustable bracket. Allows housing to be raised and lowered; ceiling thickness remains 0.5" to 1.0" max.
- H HIGH FLUX NIC HOUSING**
 - For 80C58B and 90C50B lumen packages only.
 - Minimum 0.50" setback from combustible and non-combustible materials on all sides and top of housing.
 - Minimum 3.00" setback from insulation material having max R-Value 30 on all sides and top of housing.
 - Minimum 6.00" setback from polycell spray foam insulation having max R-Value 60.
- I STANDARD FLUX IC/NIC HOUSING**
 - IC HOUSING**
 - For IC ceilings.
 - Chicago Plenum, Airtight and Title 24 (JA8) listed.
 - Accommodates max 1642 delivered lumens.
 - No setback from polycell spray foam insulation having max R-Value of 60 on all sides and top of housing.
 - NIC HOUSING**
 - Minimum 0.50" setback from combustible and non-combustible materials on all sides and top of housing.
 - Minimum 3.00" setback from insulation material having max R-Value 30 on all sides and top of housing.
 - Minimum 6.00" setback from polycell spray foam insulation having max R-Value 60.
- J REMOTE POWER SUPPLY**
Provided with install Types "V", "W" and "D". Remote power supply provides additional driver options. Consult installation guide for maximum allowable secondary run lengths between PSF4-RMT and fixture. Must be installed in an accessible location.

HOUSING NOTES

- Do not install in environments where ambient temperatures exceed 40°C (104°F).
- Power supply compartment and all splice connections may be serviced from room side.
- Consult factory for spacing requirements for any installations exceeding R-Value 60.
- Hanger bars fitted to short side of housing, extend from 14.0" to 24.0", but may be field cut to accommodate narrow stud spacing.
- Hanger bars and brackets add 4.00" to the overall dimension, but are excluded from the setback requirements.
- Housings for round trims feature a round aperture housing collar, and for square trims, a square housing collar, accommodating ceiling thicknesses between 0.50" and 1.00".

DIMENSIONS / DRAWINGS



FRAXION4SLIM WALLWASH

TECHNICAL

CONSTRUCTION

Downlight: Painted finishes are granulated powder coat.

Housing: Aluminum and 22 Gauge galvanized steel. Extruded aluminum housing panel to act as heat-sink.

Remote Power Supply: 22 Gauge galvanized steel.

Appliqué: Zinc Alloy

LED

Proprietary Citizen 2 step MacAdam ellipse LED module available in 80+, 90+ and 97+ CRI configurations in color temperatures of 2700K, 3000K, 3500K and 4000K. Average rated lamp life: 50,000 hours. LED and driver assemblies are field-replaceable.

WARM DIM LED

Proprietary 3 step MacAdam ellipse warm dim LED module available in 90+ CRI configuration. 3200K at full brightness, warming to 1800K at full dim. Average rated lamp life of 50,000 hours. LED and driver assemblies are field-replaceable.

TUNABLE WHITE LED

Proprietary 5 step MacAdam ellipse tunable white LED module available in 90+ CRI configuration. Features tuning range of 2700K to 5000K. Average rated lamp life: 50,000 hours. LED and driver assemblies are field-replaceable.

POWER SUPPLY PERFORMANCE AND DIMMING INFORMATION

Power Supply	ELV		ECO		0-10V						DALI		
	TR2	L23	LH1	AN4	LN2	EA2	LA2	DL1	DG1	ED1	LD1	DD1	
Minimum °C	-20 °C	0 °C	0 °C	-20 °C	-20 °C	-20 °C	-20 °C	-20 °C	-20 °C	-20 °C	-20 °C	-20 °C	
Maximum °C	40 °C	40 °C	40 °C	40 °C	40 °C	40 °C	40 °C	40 °C	40 °C	40 °C	40 °C	40 °C	
Dimming %	2.0%	1.0%	1.0%	1.0%	1.0%	0.1%	0.1%	0.1%	0.1%	0.1%	0.1%	0.1%	

Note: For TR2, L23, LH1, LP1, AN4, EA2 and LA2 drivers consult chart on page 7 to confirm appropriate dimming curve for compatibility with selected control.

SPACING

Recommended fixture spacing is 36" on center with 36" setback from wall plane.

LISTING

cTUVus listed to UL1598 standard for Dry / Damp and Wet locations.

Chicago Plenum, Airtight and Title 24 JA8-2019 Listed.

U.S. Patent: 10,317,066

WARRANTY

Manufacturer's 1-year warranty guarantees product(s) listed to be free from defects in material and workmanship under normal use and service. 5-year warranty on LED and power supply to operate with 70% of the original flux and remain within a range of 3 duv. 10-year Lutron Advantage limited warranty available on Lutron equipped systems. Warranty period begins from the date of shipment by Seller and conditional upon the use of manufacturer-supplied power supply. Consult website for full warranty terms and conditions.

CHANGE LOG

- 07/01/2020: ADDED WARM DIM TO T24 LISTING.
- 03/09/2020: ADDED TRIMLESS TO FLANGE FINISH OPTIONS.
- 02/24/2020: CORRECTED DELIVERED LUMENS ON PAGE ONE.
- 10/08/2019: NEW CONSOLIDATED SPEC SHEET WITH SINGLE NOMENCLATURE FOR SPECIFICATION.
- 10/08/2019: ADDITIONAL PHOTOMETRIC INFORMATION NOW AVAILABLE ON SPEC SHEET.

FRAXION4SLIM WALLWASH

DIMMING COMPATIBILITY

PHILIPS DRIVER COMPATIBILITY

Power supply TR2 Manufacturer	Family/Model #
Lutron Electronics	DV-600P
Lutron Electronics	DVELV-303P
Lutron Electronics	NTELV-600
Lutron Electronics	MAELV-600
Lutron Electronics	SELV-300P
Lutron Electronics	DVLV-600P
Lutron Electronics	NFTU-5A
Lutron Electronics	CTCL-153P
Lutron Electronics	GL-600H
Lutron Electronics	S-600P
Lutron Electronics	PHPM
Power supply AN4 Manufacturer	Family/Model #
Lutron Electronics	DVTV plus PP-DV
Lutron Electronics	DVSCTV plus PP-DV
Lutron Electronics	DVSTV
Lutron Electronics	DVSCSTV
Lutron Electronics	QSGRJ-XP plus GRX-TVI
Lutron Electronics	QSGRJ-XE plus GRX-TVI
Lutron Electronics	QSGR-XE plus GRX-TVI
Lutron Electronics	NFTV plus PP-DV
Lutron Electronics	NTSTV
Lutron Electronics	RMJ-5T
Lutron Electronics	RMJS-8T
Lutron Electronics	FCJS-010
Leviton	IllumaTch IP7 series
Philips	Sunrise - SR1200ZTUNV

LUTRON DRIVER COMPATIBILITY

Power supply L23 Lutron Product Family	Part No.
Maestro WirelessR 600 W dimmer	MRF2-6ND-120-
Maestro WirelessR 1000 W dimmer	MRF2-10ND-120-
Caséta® Wireless Pro 1000 W dimmer	PD-10NXD-
GRAFIK T™ CL® dimmer	GT-250M- GTJ-250M-
HomeWorks® QS adaptive dimmer	HQRD-6NA-
HomeWorks® QS 600 W dimmer	HQRD-6ND-
HomeWorks® QS 1000 W dimmer	HQRD-10ND-
RadioRA® 2 adaptive dimmer	RRD-6NA-
RadioRA® 2 1000 W dimmer	RRD-10ND
myRoom™ DIN power module	MQSE-4A1-D
HomeWorks® QS DIN power module	LQSE-4A1-D
HomeWorks® QS wallbox power module	HQRJ-WPM-6D-120
HomeWorks® wallbox power module	HWI-WPM-6D-120
GRAFIK Eye® QS control unit	QSGR-, QSGRJ-
GRAFIK Eye® 3000 control unit	GRX-3100- GRX-3500-
RPM-4U module (LCP, HomeWorks® QS, GRAFIK Systems™, Quantum®)	HW-RPM-4U-120 LP-RPM-4U-120
RPM-4A module (LCP, HomeWorks® QS, GRAFIK Systems™, Quantum®)	HW-RPM-4A-120, LP-RPM-4A-120
GP dimming panels	Various
Ariadni CL 250W dimmer	AYCL-253P-
Diva CL 250W dimmer	DVCL-253P- DCSCCL-253P-
Nova T CL 250W dimmer	NTCL-250-
Power supply LH1 / LP1 Lutron Product Family	Part No.
PowPak Dimming Modules	RMJ-ECO32-DV-B
PowPak Dimming Modules	FCJ/FCJS-ECO
Energi Savr Nodes	QSN-1ECO-S
GRAFIK Eye QS control unit	QSN-2ECO-S
Homeworks QS control unit	QSGRJ- _E (wireless) QSGR- _E
Quantum Hub	QP2-__ 2C
Quantum Hub	QP2-__ 4C
Quantum Hub	QP2-__ 6C
Quantum Hub	QP2-__ 8C
Homeworks QS power module	LQSE-2ECO-D
myRoom Plus power module	

eldoLED DRIVER COMPATIBILITY

Power supply EA2 / LA2 Dimmer / Switch Control Manufacturer	Family/Model #
Busch-Jaeger	2112U-101
Jung	240-10
Leviton Lighting Controls	IP710-DLX
Lightolier Controls	ZP600FAM120
Lutron Electronics	Nova T® - NTFTV
Lutron Electronics	Dival® - DDTV
Lutron Electronics	Nova® - NFTV
Merten	5729
Pass & Seymour	CD4FB-W
The Watt Stopper	DCLV1
Sensor Switch	nIO EZ
Synergy	ISD BC
Power supply EA2 / LA2 Lighting Control System Manufacturer	Family/Model #
Lutron Electronics	GrafixEye® GRX-TVI w GRX3503
Lutron Electronics	Energy Savr Node™ - QSN-4T16-S
Lutron Electronics	TMV2 Module
Crestron®	GLX-DIMFLV8
Crestron®	GLXP-DIMFLV8
Crestron®	GLPAC-DIMFLV4-*
Crestron®	GLPAC-DIMFLV8-*
Crestron®	GLPP-DIMFLVEX-PM
Crestron®	GLPP-1DIMFLV2EX-PM
Crestron®	GLPP-1DIMFLV3EX-PM
Crestron®	DIN-A08
Crestron®	DIN-4DIMFLV4
Crestron®	CLS-EXP-DIMFLV
Crestron®	CLCI-1DIMFLV2EX
ABB	SD/S 2.16.1



FRAXION4SLIM WALLWASH

DRIVE CURRENT SPECIFICS

	80C						90C						97C					90W	90T			
	12A	16A	23A	30A	36A	58B	10A	14A	19A	26A	30A	50B	10A	12A	17A	23A	27A	13A	10B	14B	20B	
Minimum Vf	30.5	30.5	30.5	30.5	30.5	30.5	30.5	30.5	30.5	30.5	30.5	30.5	30.5	30.5	30.5	30.5	30.5	30.5	30.5	30.5	30.5	30.5
Maximum Vf	39	39	39	39	39	39	39	39	39	39	39	39	39	39	39	39	39	39	39	39	39	39
Current mA	250	350	500	700	850	1250	250	350	500	700	850	1250	250	350	500	700	850	14-350	350	500	700	
Wattage W	8.2	11.8	17.4	25.4	31.6	43.6	8.2	11.8	17.4	25.4	31.6	43.6	8.2	11.8	17.4	25.4	31.6	14	14	22	31	