

# PATHLIGHTS

# STEALTH AND IMPACT®

PROJECT NAME:	TYPE:
---------------	-------



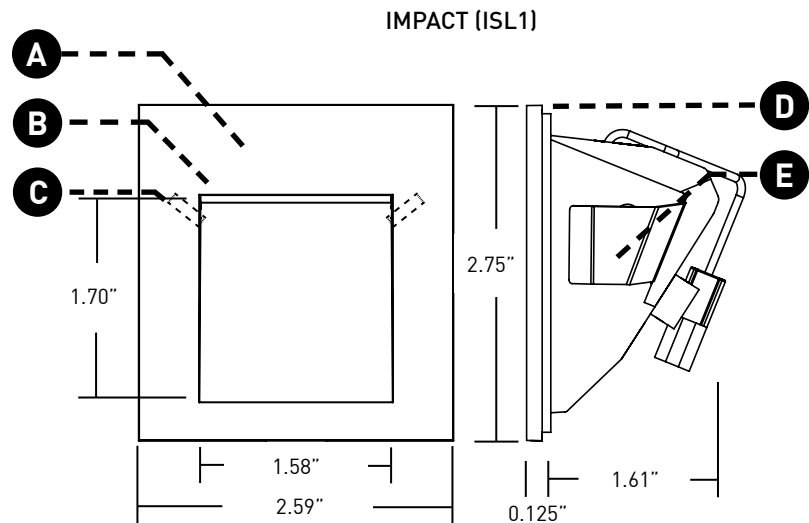
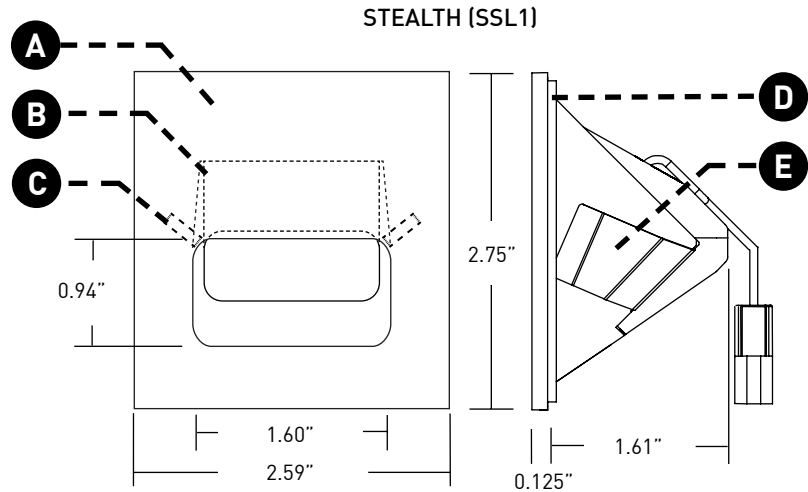
Low glare path lights lead the way through the out of doors, as built-ins or from freestanding bollards.

## ORDERING INFORMATION AND DRAWINGS - FIXTURE

Quick Ship Product. All rough in components ship within 10 days up to quantities of 100.

FIXTURE	RATING	FLANGE FINISH			LUMEN PACKAGE	CCT
SSL1 Stealth Steplight ISL1 Impact Steplight	1 Dry / Damp (Non-Locking) 2 Wet (Locking)	<b>POWDER COAT FINISH</b> WH White BK Black AG Satin Silver AB Architectural Bronze CF Custom Finish* *(Consult Factory)	<b>NATURAL FINISH</b> IG Industrial Gray SS Brushed Stainless Steel BR Brushed Bronze NB Natural Bronze	<b>PLATED FINISH</b> CH Chrome* *(Increased lead time) PB Polished Oil-Rubbed Bronze* *(Increased lead time, not available for wet location) MB Matte Oil-Rubbed Bronze* *(Increased lead time, not available for wet location)	<b>STEALTH &amp; IMPACT</b> 80L02B 80+ CRI, 200 Source Lumens SSL1 Delivered Lumens - 33 ISL1 Delivered Lumens - 43	27 2700K 30 3000K 35 3500K 40 4000K CC Custom Color (gel)* Color Temp: _____ K *(Custom gels assigned unique suffix upon receipt of order. Contact Product Support for guidance.)

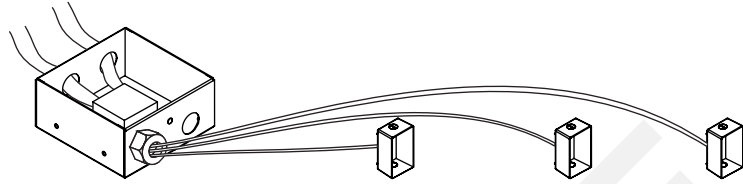
- A LED**  
Regressed LED with slot aperture for glare-free, energy-efficient path and step lighting; suitable for dry / damp or wet applications. 3.4W DC LED (dimming by power supply).
  - B EFFECTS DEVICES**  
Provided with sealed polycarbonate linear diffusion lens; consult factory for availability of color gels, which may achieve custom color temperatures.
  - C LOCKING**  
Discreetly hidden tamper-resistant set screws. Included with IP65 Wet location luminaire.
  - D GASKET**  
Foam gasket provided. Required for IP65 wet location applications only.
  - E RETENTION**  
Torsion spring clips secure fixture into back box, mounting plate, or appropriately sized cut-out.
- Available with Bollard mounting, please visit [WEBSITE](#) for additional information.
  - Double Impact ISL2 pathlight available, please visit [WEBSITE](#) for additional information.



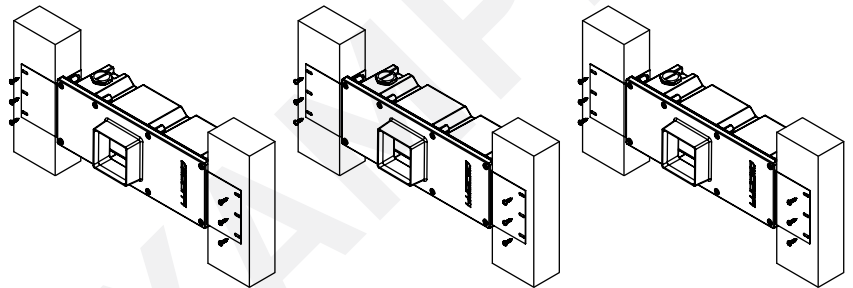
# PATHLIGHTS STEALTH AND IMPACT

## SPECIFICATION GUIDE - EXAMPLES GIVEN

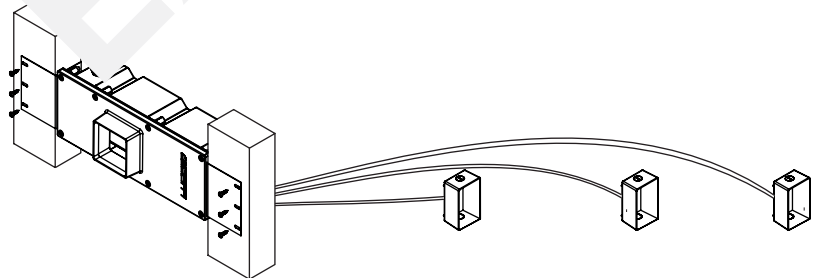
THREE FIXTURES WITH REMOTE POWER SUPPLY	
PART NUMBER	QTY.
SSL1-1-AB-80L02B-2	3
SSL-BB	3
PSA-24V-60-1AT2	1



THREE FIXTURES WITH INTEGRAL POWER SUPPLIES	
PART NUMBER	QTY.
SSL1-1-AB-80L02B-2	3
UBB-SL1-24V-60-1AT2-HGR	3



ONE FIXTURE WITH INTEGRAL POWER SUPPLY, POWERING THREE REMOTE MOUNTED FIXTURES	
PART NUMBER	QTY.
ISL1-1-AB-80L02B-2	4
UBB-SL1-24V-60-1AT2-HGR	1
SSL-BB	3



\*Quantities given are for the purposes of the examples only, max quantity of fixtures per power supply varies.

# PATHLIGHTS STEALTH AND IMPACT

## MOUNTING OPTIONS FOR REMOTE POWER SUPPLY - SELECT ONLY ONE PER FIXTURE

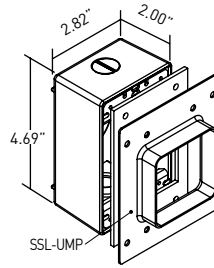
Fixture Qty. \_\_\_\_\_

### WET, DRY / DAMP OR CONCRETE POUR LOCATION

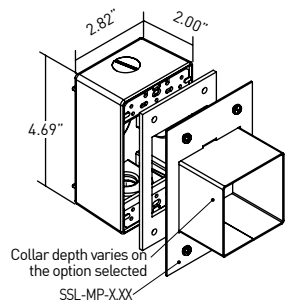
#### QTY.

- **SSL-BB** ⓘ  
Back Box equipped with SSL-UMP mounting plate and gasket. Typically used in wet and concrete pour applications. Features 1/2" knockouts.
- **SSL-BB-(1.50 / 1.75 / 2.00 / 2.50 / 3.00)** ⓘ  
Back Box equipped with SSL-MP-XX mounting plate and gasket; specify preferred depth. Typically used in wet and concrete pour locations. Features 1/2" knockouts.
- **UBB-SL1-FL-LVF-(BKT / HGR)** ⓘ  
Universal Back Box, wet location and concrete pour rated. Specified with remote power supply and features secondary output capacity, simplifying wiring practices and reducing budgets. Supplied with mounting hardware, specify "-HGR" or "-BKT". Shown with hanger bars (-HGR). Hanger bars adjust from 14" to 24" for standard joist spacing. Brackets, universal stainless steel mounting flange.

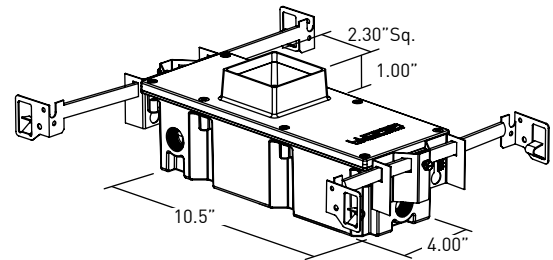
SSL-BB



SSL-BB-(1.50 / 1.75 / 2.00 / 2.50 / 3.00)



UBB-SL1-FL-LVF-(BKT / HGR)

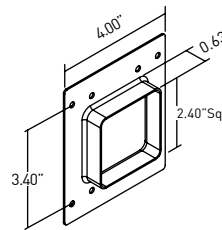


### WET OR DRY / DAMP LOCATION

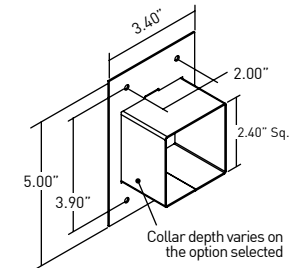
#### QTY.

- **SSL-UMP** ⓘ  
Universal Mounting Plate typically used with two-gang switch box or 4-square junction box for dry / damp locations. May be used with customer-furnished single or two gang weatherproof box and factory supplied gasket for wet and concrete pour locations.
- **SSL-MP-(1.50 / 1.75 / 2.00 / 2.50 / 3.00)** ⓘ  
Mounting Plate includes gasket and features an extended collar for single-gang weatherproof box; specify preferred depth. Typically for wet and concrete pour locations.

SSL-UMP

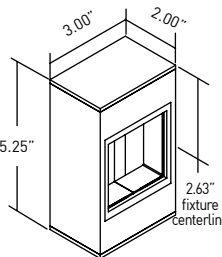


SSL-MP-(1.50 / 1.75 / 2.00 / 2.50 / 3.00)

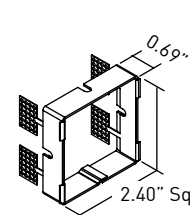


- **SSL-SMB-(finish)**  
Surface Mounting Box for interior or exterior applications, providing flush mount of luminaire. Receives secondary wiring through back of box. Powder coat finishes only.

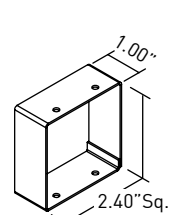
SSL-SMB-(finish)



SSL-RM



SSL-CC

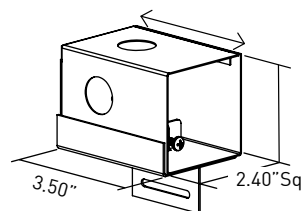


### DRY / DAMP LOCATION ONLY

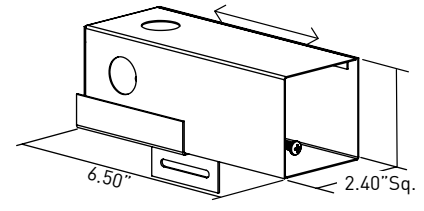
#### QTY.

- **SSL-RM** ⓘ  
Remodel Mount collar for installing fixture into drywall / plasterboard. Requires Class 2 power supply.
- **SSL-CC** ⓘ  
Cavity Collar for installing fixture into cavity or bore. Requires Class 2 power supply.
- **SSL-SC3** ⓘ  
Stud-mount Collar, adjusts with integral jackscrew from 1/2" to 3" for walls with varying substrate depths (rock, brick and stone). Features 1/2" knockouts for wiring.
- **SSL-SC6** ⓘ  
Stud-mount Collar, adjusts with integral jackscrew from 3" to 6" for walls with varying substrate depths (rock, brick and stone). Features 1/2" knockouts for wiring.

SSL-SC3



SSL-SC6



# PATHLIGHTS STEALTH AND IMPACT

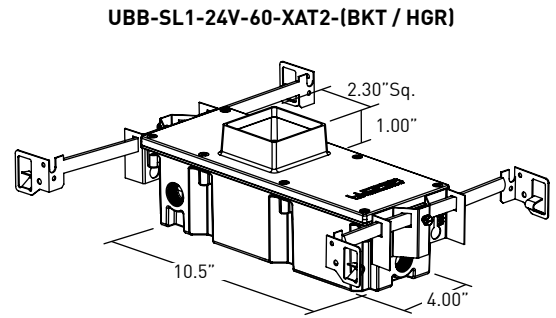
## MOUNTING OPTION WITH INTEGRAL POWER SUPPLY - SELECT ONLY ONE PER FIXTURE

### WET, DRY / DAMP LOCATION, OR CONCRETE POUR LOCATION

	VOLTAGE	POWERSUPPLY	ATTACHMENT
<b>UBB-SL1-24V-60</b>		<b>AT2</b>	
UNIVERSAL BACK BOX 1.00" COLLAR 24 VOLT OUTPUT 60 WATT	1 120 VAC	AT2 LTF 0-10V Analog and Leading / Trailing edge (Supports 1 - 12 fixtures)	HGR Hangar Bars
	3 277 VAC		BKT Brackets

### UBB-SL1-24V-60-XAT2-(BKT / HGR)

Universal Back Box, wet location and concrete pour rated. Specified with integral power supply and features secondary output capacity, simplifying wiring practices and reducing budgets. Supplied with mounting hardware, specify "-HGR" or "-BKT". Shown with hanger bars (-HGR). Hanger bars adjust from 14" to 24" for standard joist spacing. Brackets, universal stainless steel mounting flange.



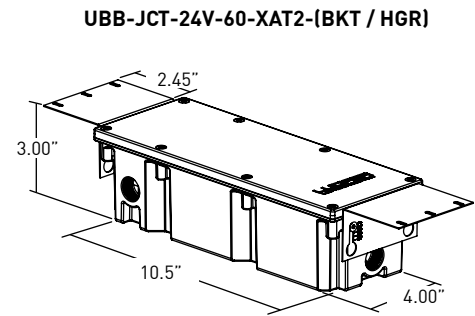
## REMOTE POWER SUPPLY OPTIONS

### WET, DRY / DAMP LOCATION, OR CONCRETE POUR LOCATION

	VOLTAGE	POWERSUPPLY	ATTACHMENT
<b>UBB-JCT-24V-60</b>		<b>AT2</b>	
JUNCTION BOX 24 VOLT OUTPUT 60 WATT	1 120 VAC	AT2 LTF 0-10V Analog and Leading / Trailing edge (Supports 1 - 12 fixtures)	HGR Hangar Bars
	3 277 VAC		BKT Brackets

### UBB-JCT-24V-60-XAT2-(BKT / HGR)

Universal Junction Box, wet location and concrete pour rated. Specified as a remote power supply and features secondary output capacity, simplifying wiring practices and reducing budgets. Supplied with "-HGR" or "-BKT" mounting hardware, shown with Bracket (-BKT). Hanger bars adjust from 14" to 24" for standard joist spacing. Brackets, universal stainless steel mounting flange.



### DRY / DAMP LOCATION

	POWERSUPPLY
<b>PSA-24V</b>	
POWER SUPPLY ASSEMBLY 24 VOLT OUTPUT	40-1L22 40 Watt, 120VAC, Lutron 2-Wire, Forward Phase (supports 1 - 10 fixtures)
	60-1AT2 60 Watt, 120VAC, LTF 0-10V Analog and Leading / Trailing edge (supports 1 - 12 fixtures)
	60-3AT2 60 Watt, 277VAC, LTF 0-10V Analog and Leading / Trailing edge (supports 1 - 12 fixtures)
	66-UEX2 66 Watt, 120 - 277VAC, eldoLED LINEARdrive, DMX (supports 1 - 18 fixtures)
	66-UED3 66 Watt, 120 - 277VAC, eldoLED LINEARdrive, DALI (supports 1 - 18 fixtures)
	96-ULP1 96 Watt, 120 - 277VAC, Hi-lume Premier, EcoSystem / 3-wire (supports 1 - 26 fixtures)

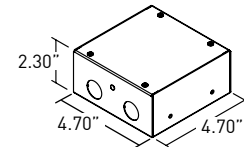
### PSA-24V-XX-XXXX

Hardwire Class 2 power supply, consists of a steel compartment and lid painted black with integral conventional electronic power supply. Wired in either a homerun or parallel method.

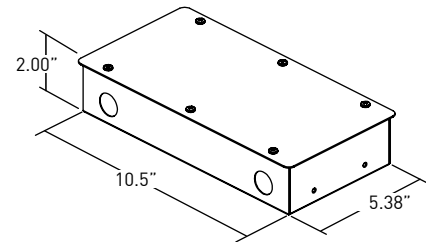
### FOLLOWING POWER SUPPLY FOR DEMONSTRATION AND SAMPLING PURPOSES ONLY. NOT FOR PERMANENT INSTALLATIONS.

- **PSA-24V-25-1EL2** Plug-in 120V Class 2 power supply (Supports 1 fixture)

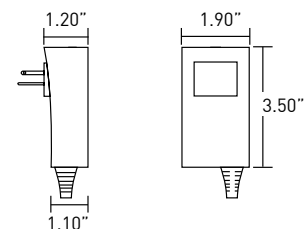
### PSA USED FOR AT2



### PSA USED FOR L22, EX2, ED3 & LP1



### PSA-24V-25-1EL2



# PATHLIGHTS STEALTH AND IMPACT

## TECHNICAL

### CONSTRUCTION

Stealth: Cast 316 stainless steel or brass, depending on finish.

Mounting Plates and Mounting Collars: Stainless Steel.

Single-gang Weatherproof Box: Aluminum.

Surface Mount Box: Aluminum.

Universal Back Box: Polycarbonate.

### LED

Proprietary 2 step MacAdam ellipse LED module available with 80+ CRI in color temperatures of 2700K, 3000K, 3500K and 4000K. Average rated lamp life: 50,000 hours.

### POWER SUPPLY PERFORMANCE AND DIMMING INFORMATION

Power Supply	AT2	L22	LP1	EX2	ED3
Minimum °C	-20 °C	0 °C	0 °C	-20 °C	-20 °C
Maximum °C	50 °C	40 °C	40 °C	50 °C	50 °C
Dimming %	10.0%	1.0%	0.1%	0%	0%

Note: For L22 and LP1 drivers consult chart on page 5 to confirm appropriate dimming curve for compatibility with selected control.

### RECOMMENDED SPACING

Optimum 18" (457mm) above walking surface; 36" (914mm) on-center spacing.

### ELECTRICAL

**Luminaire requires factory-supplied 24-Volt DC power supply.** May be integral to back box or remote. Secondary run lengths vary depending on power supply specified, see installation guidelines for run lengths.

### LISTING

cTUVus Listed; Dark-Sky Compliant; Patent No. US D610,734 S; Dry / Damp (IP54 rated) and Wet (IP65 rated) location.

### WARRANTY

Manufacturer's 1-year warranty guarantees product(s) listed to be free from defects in material and workmanship under normal use and service. 5-year warranty on LED and power supply to operate with 70% of the original flux and remain within a range of 3 duv. Warranty period begins from the date of shipment by Seller and conditional upon the use of manufacturer-supplied power supply. Consult website for full warranty terms and conditions.

# PATHLIGHTS STEALTH AND IMPACT

## LUTRON DIMMING COMPATIBILITY

Power supply L22 Product Family	Part No.	Drivers Per Control (120V only)
Maestro WirelessR 1000 W dimmer	MRF2-10ND-120-	1-13
Caséta® Wireless Pro 1000 W dimmer	PD-10NXD-	1-13
GRAFIK T™ CL® dimmer	GT-250M-, GTJ-250M-	1-10
HomeWorks® QS adaptive dimmer	HQRD-6NA-	1-8
HomeWorks® QS 600 W dimmer	HQRD-6ND-	1-8
HomeWorks® QS 1000 W dimmer	HQRD-10ND-	1-13
RadioRA® 2 adaptive dimmer	RRD-6NA-	1-8
RadioRA® 2 1000 W dimmer	RRD-10ND	1-13
myRoom™ DIN power module	MQSE-4A1-D	1-6 (per output), 1A max driver input current
HomeWorks® QS DIN power module	LQSE-4A1-D	1-6 (per output), 1A max driver input current
HomeWorks® QS wallbox power module	HQRJ-WPM-6D-120	2-10 (per output), 26 total per module
HomeWorks® wallbox power module	HWI-WPM-6D-120	2-10 (per output), 26 total per module
GRAFIK Eye® QS control unit	QSGR-, QSGRJ-	2-10 (per output), 26 total per module
GRAFIK Eye® 3000 control unit	GRX-3100-, GRX-3500-	2-10 (per output), 26 total per module
RPM-4U module (LCP, HomeWorks® QS, GRAFIK Systems™, Quantum®)	HW-RPM-4U-120, LP-RPM-4U-120	2-26 (per output), 26 total per module
RPM-4A module (LCP, HomeWorks® QS, GRAFIK Systems™, Quantum®)	HW-RPM-4A-120, LP-RPM-4A-120	1-13 (per output), 26 total per module
GP dimming panels	Various	1-26
Ariadni CL 250W dimmer	AYCL-253P-	1-8
Diva CL 250W dimmer	DVCL-253P- DCSCCL-253P-	1-8
Nova T CL 250W dimmer	NTCL-250-	1-10

Power supply LP1 Product Family	120V Part No.	277V Part No.	Drivers per Control	
			120V	277V
NovaT®	NTF-10-	NTF-10-277-	1 - 16	1-19
	NTF-103P-	NTF-103P-277-	1-8	1-14
Nova®	NF-10-	NF-10-277-	1-8	1-19
	NF-103P-	NF-103P-277-	1-8	1-14
Skylark®	SF-10P-	SF-12P-277-	1-8	1-14
	SF-103P-	SF-12P-277-3	1-8	1-14
Diva®	DVF-103P-	DVF-103P-277-	1-8	1-14
	DVSCF-103P-	DVSCF-103P-277-	1-8	1-14
Ariadni®	AYF-103P-	AYF-103P-277-	1-6	1-14
Maestro®	MAF-6AM-	MAF-6AM-277-	1-6	1-14
	MSCF-6AM-	MSCF-6AM-277-	1-6	1-14
Maestro Wireless®	MRF2-F6AN-DV-		1-6	1-14
RadioRA® 2	RRD-F6AN-DV-		1-6	1-14
HomeWorks® QS	HQRD-F6AN-DV		1-6	1-14
Interfaces	PHPM-3F-120	-	1-16	-
	PHPM-3F-DV		1-16	1-38
	BCI-0-10		1-16	1-38
GP Dimming Panels	Various		1-16	1-38
PowPak™ with EcoSystem	RMJ-ECO32-DV-B		32 per EcoSystem link	
	URMJ-ECO32-DVB		32 per EcoSystem link	
	FCJ-ECO		3 per EcoSystem link	
Energi Savr Node™ with EcoSystem	QSN-1ECO-S, QSN-2ECO-S, QSN-2ECO-PS120, UQSN-1ECO-S, UQSN-2ECO-S		64 per EcoSystem link	
GRAFIK Eye® QS with EcoSystem	QSGRJ-_E QSGR-_E	-	64 per EcoSystem link	
HomeWorks® QS with EcoSystem	LQSE-2ECO-D, QSGRJ-_E, QSGR-_E		64 per EcoSystem link	
Quantum®	QP2-_P_C		64 per EcoSystem link	