

STELLR® INTERNATIONAL PENDANT

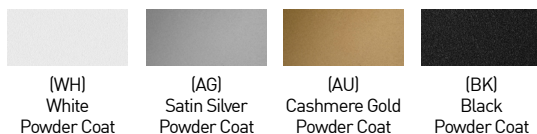
Organic shape and minimalist form conceals the mechanics of this high-performance luminaire, offering both volumetric and directional lighting with two light sources and infinite control options of multi-layered illumination.

PROJECT NAME:	TYPE:
---------------	-------



ORDERING INFORMATION

SERIES	CANOPY TYPE	BODY COLOR	CANOPY COLOR	CABLE COLOR	DOWNLIGHT LUMEN PACKAGE	WAVEGUIDE LUMEN PACKAGE	OPTIC (UGR)	MEDIA	DRIVER	MOUNTING
S2										
S2 STELLR Medium 10.2" (260mm)	SURFACE CANOPY P096 8' (244cm) P192 16' (488cm)	WH White	WH White	W White Power Cable	STATIC WHITE 8027 80+ CRI, 2700K Lm. Delivered - 1799 8030 80+ CRI, 3000K Lm. Delivered - 1855 8035 80+ CRI, 3500K Lm. Delivered - 1910 8040 80+ CRI, 4000K Lm. Delivered - 2003 9027 90+ CRI, 2700K Lm. Delivered - 1546 9030 90+ CRI, 3000K Lm. Delivered - 1594 9035 90+ CRI, 3500K Lm. Delivered - 1641 9040 90+ CRI, 4000K Lm. Delivered - 1721	STATIC WHITE 8027 80+ CRI, 2700K Lm. Delivered - 728 8030 80+ CRI, 3000K Lm. Delivered - 794 8035 80+ CRI, 3500K Lm. Delivered - 794 8040 80+ CRI, 4000K Lm. Delivered - 825 9027 90+ CRI, 2700K Lm. Delivered - 656 9030 90+ CRI, 3000K Lm. Delivered - 715 9035 90+ CRI, 3500K Lm. Delivered - 715 9040 90+ CRI, 4000K Lm. Delivered - 744	15 15° (<10) 35 35° (<10) 55 55° (<10)	STANDARD MEDIA 0 No Lens OPTIONAL MEDIA 2 Honeycomb Louver 3 Clear Glass Lens 4 Soft Focus Lens	120-277V (Sources dim independently, requires independent control lines) IG eldoLED, SOLOdrive 0.1% 0-10V, LOG IN eldoLED, SOLOdrive 0.1% 0-10V, LIN ID eldoLED, SOLOdrive 0.1% DALI, LOG	E International Surface Mounting Plate L Large Ø6.4" Ceiling Mount Junction Box for 1/2" and 3/4" Conduit* <small>*Finish specified in canopy color section</small>
		AG Satin Silver AU Cashmere Gold BK Black CF Custom Finish* <small>*(Consult Factory)</small>	AG Satin Silver AU Cashmere Gold BK Black CF Custom Finish* <small>*(Consult Factory)</small>	B Black Power Cable						
	*FOR CABLE LENGTHS OVER 16' CONSULT FACTORY. ALL LENGTHS ARE FIELD-CUTTABLE									



PART NUMBER NOTES

- STELLR ships as e.g., S2P096-WHBKW-9MS28MS2-352-ID*E
- CMJB ships as S2L-CMJB-(finish)

Part L

STELLR INTERNATIONAL PENDANT

ACCESSORIES

ALTERNATE EFFECTS DEVICES

- HCL-S2-01** Honeycomb Louver
- CGL-S2-01** Clear Glass Lens
- SFL-S2-01** Soft Focus Lens

REPLACEMENT OPTIC ASSEMBLIES

- RO-S2-15** 15° optic
- RO-S2-35** 35° optic
- RO-S2-55** 55° optic

DOWNLIGHT PERFORMANCE - 3000K

LUMEN PACKAGE	WATTAGE	15° OPTIC / NO LENS		35° OPTIC / NO LENS		55° OPTIC / NO LENS		15° OPTIC / HCL		35° OPTIC / HCL		55° OPTIC / HCL	
		DELIVERED	LPW	DELIVERED	LPW	DELIVERED	LPW	DELIVERED	LPW	DELIVERED	LPW	DELIVERED	LPW
8030	18	1743	97	1769	98	1855	103	1255	70	1123	62	1081	60
9030	18	1502	83	1520	84	1594	89	1078	60	965	54	929	52
90LL (2700K-1800K)	15	1029	69	1092	73	1129	75	739	49	694	46	658	44
90LD (3000K-1800K)	15	1094	73	1161	77	1200	80	785	52	737	49	699	47

STATIC WHITE OUTPUT MULTIPLIER

CCT	CCT SCALE
2700K	0.97
3000K	1.00
3500K	1.03
4000K	1.08

MEDIA LIGHT LOSS FACTOR

MEDIA	LIGHT LOSS FACTOR
No Lens	1.00
CGL	0.93
SFL	0.93
HCL	0.65

Part L

75+ LPW configurations comply with residential Part L
95+ LPW configurations comply with commercial Part L

UNIFIED GLARE RATING

15° OPTIC	35° OPTIC	55° OPTIC
<10	<10	<10

WAVEGUIDE PERFORMANCE

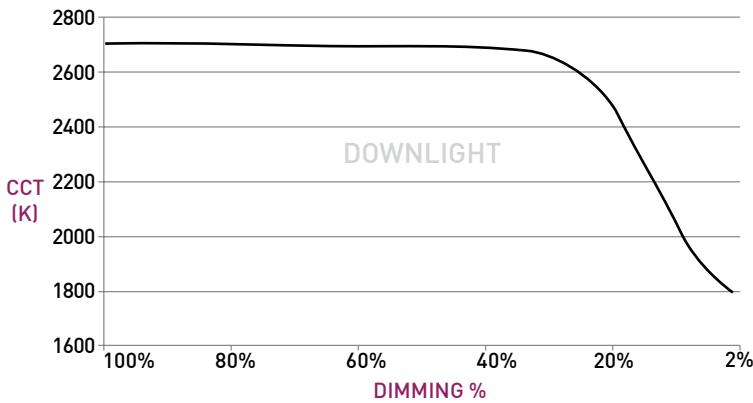
LUMEN PACKAGE	WATTAGE	2700K		3000K		3500K		4000K	
		DELIVERED	LPW	DELIVERED	LPW	DELIVERED	LPW	DELIVERED	LPW
80	15	728	53	794	58	794	58	825	64
90	15	656	48	715	52	715	52	744	54
90WD	15	-	-	765	54	-	-	-	-

STELLR INTERNATIONAL PENDANT

WARM DIM PERFORMANCE

INCANDESCENT PROFILE

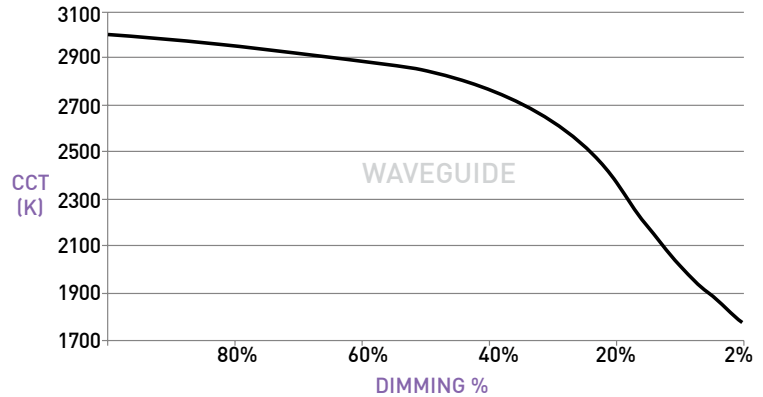
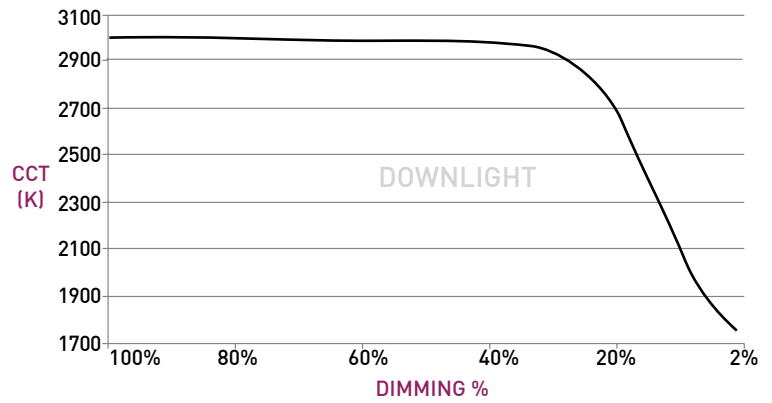
90L11AWL 2700K - 1800K	Full on 100%	Dimmed to 80%	Dimmed to 70%	Dimmed to 50%	Dimmed to 20%	Dimmed to 10%	Dimmed to 2%
CCT (K)	2700	2700	2700	2700	2500	1900	1800
Light Output (Lm)	1129	903	790	565	226	113	23
Power (W)	15	12	10.5	7.5	3	1.5	0.3
Efficacy (LPW)	75	75	75	75	75	75	75



HALOGEN PROFILE

90L11AWD 3000K - 1800K	Full on 100%	Dimmed to 80%	Dimmed to 70%	Dimmed to 50%	Dimmed to 20%	Dimmed to 10%	Dimmed to 2%
CCT (K)	3000	3000	3000	3000	3000	2000	1800
Light Output (Lm)	1200	960	840	600	240	120	24
Power (W)	15	12	10.5	7.5	3	1.5	0.3
Efficacy (LPW)	80	80	80	80	80	80	80

WAVEGUIDE	Full on 100%	Dimmed to 80%	Dimmed to 70%	Dimmed to 50%	Dimmed to 20%	Dimmed to 10%	Dimmed to 2%
CCT (K)	3000	2950	2920	2850	2375	2000	1800
Light Output (Lm)	765	612	535	382	153	76	15
Power (W)	15	12	10.5	7.5	3	1.5	0.3
Efficacy (LPW)	54	54	54	54	54	54	54



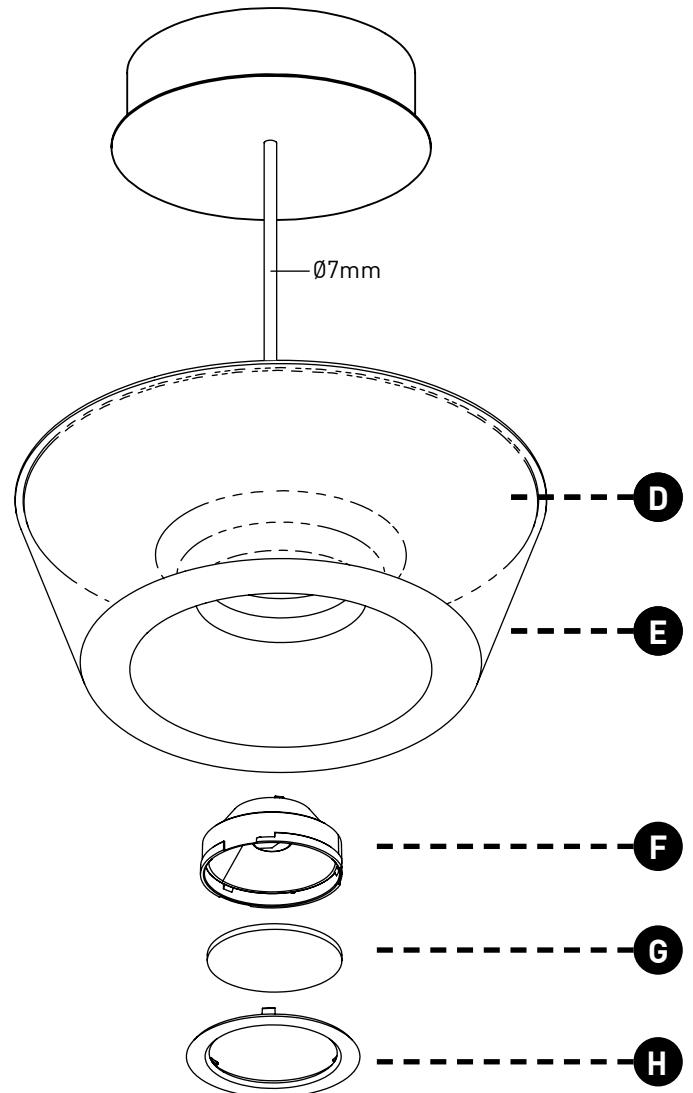
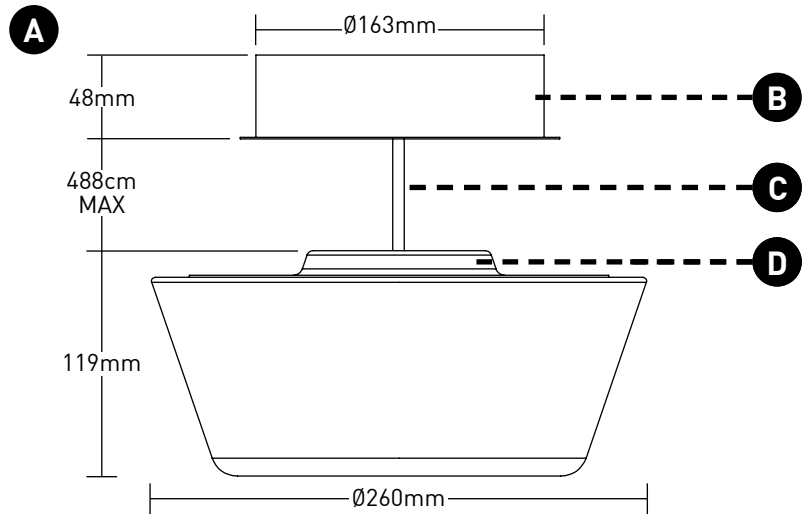
NOTE: LIN-TO-LIN 0-10V PAIRING NOT COMPATIBLE WITH WARM DIM.

STELLR INTERNATIONAL PENDANT

FIXTURE

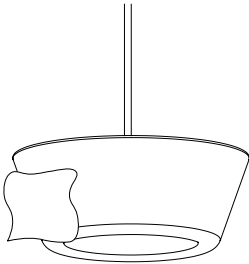
- A LUMINAIRE**
Body with integrated heat sink and LED assemblies.
- B CANOPY**
Conceals hidden twist-on mounting hardware and houses integral driver assemblies. Available in powdercoat finishes.
- C CABLE**
Available in lengths up to 192" (488cm) maximum, cable is field cuttable, consult factory for lengths greater than 192" (488cm). Available in black and white finishes.
- D BODY**
Available in powdercoat finishes.
- E WAVEGUIDE**
Transmits light creating illumination effect. Ships with protective cover installed.
- F OPTIC**
Robust light engine with optimized optic pairing integrates Reflection, Refraction and TIR offering 15°, 35°, and 55° beams.
- G MEDIA DEVICE**
Media is field-changeable.
- H TRIM BEZEL**
Attaches to optic assembly and accommodates one media. Finish will match body color. Consult factory if alternate finish requested.

DIMENSIONS / DRAWINGS



CLEANING INSTRUCTIONS

Factory recommends cleaning waveguide assembly with a microfiber cloth or similar non-abrasive cloth. In most cases a damp microfiber cloth will remove dust/debris or fingerprints. For stubborn stains, approved cleaning agents include soap and water, or ammonia based cleaners.

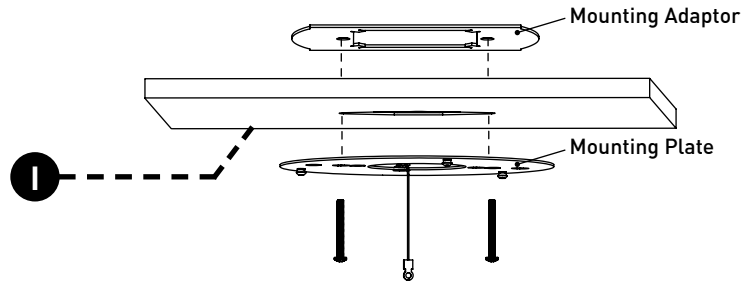


STELLR INTERNATIONAL PENDANT

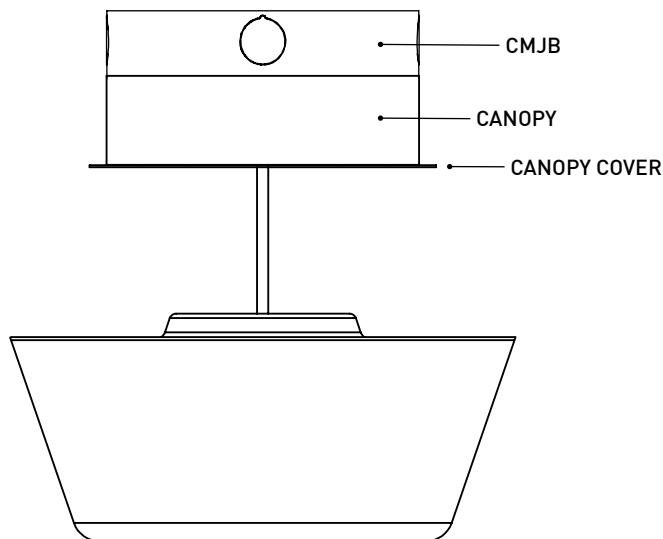
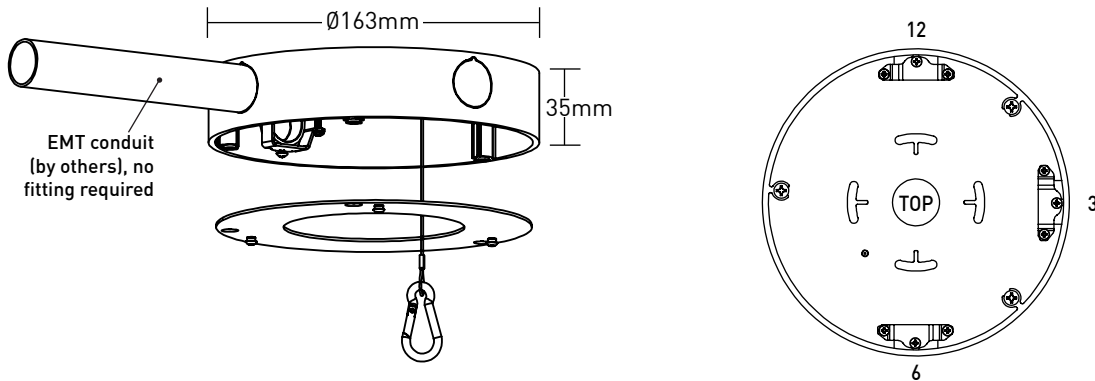
MOUNTING

DIMENSIONS / DRAWINGS

- I MOUNTING PLATE**
Surface mounted, does not require installation prior to rough-in. Mounting adaptor sits atop ceiling for attachment of mounting plate. Fixture mounts flush with minimalist transition to ceiling.
- J CMJB**
Ceiling mount junction box provides integrated look where exposed ceiling mount junction box and conduit applications apply. For use with 1/2" and 3/4" EMT conduit only. Features three conduit entrances at 12, 3, and 6 o'clock plus one conduit knockout on top. Painted finishes only. Blank off plugs included.



J



STELLR INTERNATIONAL PENDANT

FIXTURE CONTROL INFORMATION

DRIVER	DRIVER QUANTITY	SOURCES DIM INDEPENDENTLY OR TOGETHER	SOURCES DIM TOGETHER ONLY	WIRING REQUIREMENTS
IG	2	X		For independent control, two switch-legs and two 0-10V control leads required.
IN	2	X		For independent control, two switch-legs and two 0-10V control leads required.
ID	2	X		Requires 2 DALI addresses.

TECHNICAL

CONSTRUCTION

Fixture: Machined aluminum canopy and spun reflector; die-cast aluminum heat-sink; painted finishes are granulated powder coat.
CMJB: Machined aluminum body; painted finishes are granulated powder coat.

LED

Proprietary 2 step MacAdam ellipse LED modules available in 80+ and 90+ CRI configurations in color temperatures of 2700K, 3000K, 3500K and 4000K. Average rated lamp life of 50,000 hours. Driver assemblies are field-replaceable.

WARM DIM LED

Proprietary 3-step MacAdam ellipse warm dim LED modules available in 90+ CRI configuration. 3000K at full brightness, warming to 1800K at full dim. Average rated lamp life of 50,000 hours. Driver assemblies are field-replaceable.

POWER SUPPLY PERFORMANCE AND DIMMING INFORMATION

Power Supply	IG	IN	ID
Minimum °C	-20 °C	-20 °C	-20 °C
Maximum °C	25 °C	25 °C	25 °C
Dimming %	0.1%	0.1%	0.1%

MOUNTING

Fixture is supplied with a mounting adapter, which integrates with mounting plate.

LISTING

CE listed for IP20 Dry / Damp locations.

PART L

Part L compliant for all 75+ LPW residential and 95+ LPW commercial configurations.

WEIGHT

Fixture - 7 lbs max
CMJB - 1.1 lbs

LIMITED WARRANTY

Manufacturer's 1-year warranty guarantees product(s) listed to be free from defects in material and workmanship under normal use and service. 5-year warranty on LED and power supply to operate with 70% of the original flux and remain within a range of 3 duv. 10-year Lutron Advantage limited warranty available on Lutron equipped systems. Warranty period begins from the date of shipment by Seller. Consult [website](#) for full warranty terms and conditions.

CHANGE LOG

- 10/17/2022: REMOVED 3200K-1800K WARM DIM AND ADDED 3000K-1800K WARM DIM.
- 08/08/2023: UPDATED WITH NEW LED AND OPTIC SYSTEM.
- 02/15/2024: PART L COMPLIANCE ADDED.
- 04/09/2025: UPDATED DRIVER OFFERINGS.
- 05/07/2025: UPDATED WARM DIM OFFERING.

STELLR INTERNATIONAL PENDANT

DRIVE CURRENT SPECIFICS

DOWNLIGHT

	80C	90C	90W
	20A	17A	13A
Minimum Vf	30.5	30.5	30.5
Maximum Vf	39	39	39
Current mA	425	425	350
Wattage W	14.6	14.6	11.8

WAVEGUIDE

	80C	90C	90W
Minimum Vf	30.5	30.5	30.5
Maximum Vf	39	39	39
Current mA	350	350	350
Wattage W	11.8	11.8	11.8