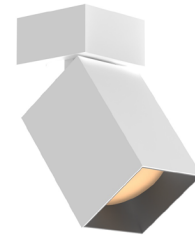


# SQUILINDER®

## SURFACE MOUNT

PROJECT NAME:	TYPE:
---------------	-------



A modern update to a timeless form, this award-winning, fresh-faced classic offers sleek geometry, field-changeable optics, and endless adjustability.

### ORDERING INFORMATION - SQUILINDER

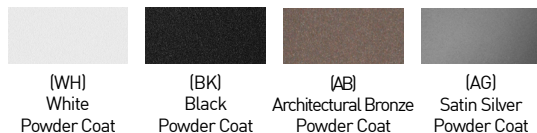


Quick Ship Product. All rough in components ship within 10 days up to quantities of 100.



JA8-2019 COMPLIANCE INDICATED BY SHADING

SQUILINDER	FIXTURE	RATING	SQUILINDER FINISH	BAFFLE FINISH	LUMEN PACKAGE	CCT	OPTIC	DRIVER	EFFECTS DEVICE	MOUNTING
<b>SQ2</b>		<b>1</b>								
SQ2 3.13"	AD Standard 90°	1 Dry/Damp	WH White	WH White	<b>STATIC WHITE</b> <b>80C12A</b> 80+ CRI, 1200 Source Lumens (Delivered Lumens - 758) <b>80C19A</b> 80+ CRI, 1900 Source Lumens (Delivered Lumens - 1169) <b>80C25A</b> 80+ CRI, 2500 Source Lumens (Delivered Lumens - 1552) <b>90C10A</b> 90+ CRI, 1000 Source Lumens (Delivered Lumens - 649) <b>90C15A</b> 90+ CRI, 1500 Source Lumens (Delivered Lumens - 1001) <b>90C20A</b> 90+ CRI, 2000 Source Lumens (Delivered Lumens - 1330) <b>97C09A</b> 97+ CRI, 900 Source Lumens (Delivered Lumens - 581) <b>97C14A</b> 97+ CRI, 1400 Source Lumens (Delivered Lumens - 896) <b>97C19A</b> 97+ CRI, 1900 Source Lumens (Delivered Lumens - 1190)	27 2700K 30 3000K 35 3500K 40 4000K	15 15°* *(Not available for Warm Dim) 25 25° 40 40° 60 60°	<b>INTEGRAL</b> <b>CA2</b> 120-277V 0-10V Analog <b>CE2</b> 120V Electronic ELV Forward / Reverse Phase	00 No Lens* *(Not available for Warm Dim) 30 Clear Glass Lens* *(Not available for Warm Dim) 40 Soft Focus Lens 50 Frosted Glass Lens 60 Frosted Soft Focus Lens 70 Frosted Linear Spread Lens	<b>ROUGH-IN</b> <b>JBMP</b> 4" Sq. or 4/0 Junction Box Mounting Plate ⓘ <b>CMJB</b> 1/2" and 3/4" Conduit Ceiling Mount Junction Box* *(Not available for SD2, Quick Ship Product for WH and BK finishes only) ⓘ
	FB Fixed Body		BK Black AB Architectural Bronze* *(Increased lead time) AG Satin Silver* *(Increased lead time) CF Custom Finish* *(Consult Factory)	BK Black AB Architectural Bronze* *(Increased lead time) AG Satin Silver* *(Increased lead time) CF Custom Finish* *(Consult Factory)						



### PART NUMBER NOTES

- SQ2 ships as e.g., SQ2-AD1-WHBK-90C20A2-30CA240
- Remote driver ships as e.g., PS-RMT-90C20A-1L23
- JBMP ships as SQ2-JBMP
- CMJB ships as SQ2-CMJB-(finish)

# SQUILINDER SURFACE MOUNT

## ACCESSORIES

### ALTERNATE BAFFLE AND EFFECTS DEVICE

Includes baffle with sealed lens. Must specify baffle finish.

- RBA-SQ2-\*\*-CGL-2** Clear Glass Lens \*
- \*(Not available for Warm Dim)**
- RBA-SQ2-\*\*-SFL-2** Soft Focus Lens
- RBA-SQ2-\*\*-FGL-2** Frosted Glass Lens
- RBA-SQ2-\*\*-FSFL-2** Frosted Soft Focus Lens
- RBA-SQ2-\*\*-FLSL-2** Frosted Linear Spread Lens

\*\* Baffle finish: Specify **WH** for white, **BK** for black, **AG** for satin silver or **AB** for architectural bronze.

### REPLACEMENT SUCTION TOOL

Included with each order (1 per 10 fixtures).

- CY-SQ-TOOL-SUCTION** Baffle assembly removal tool

### REPLACEMENT OPTICS

Interchangeable optics accessible by removing baffle.

- RO-70-15-1** 15° optic \*
- \*(Not available for Warm Dim)**
- RO-70-25-1** 25° optic
- RO-70-40-1** 40° optic
- RO-70-60-1** 60° optic

### EMERGENCY LIGHTING - REMOTE MOUNT ONLY

- EMB-S-20/25-120/277-LEDX** 20/25 watt max capacity, 120 or 277 VAC 60Hz
  - EMB-S-100-120-LEDX** 100 watt max capacity, 120 VAC 60Hz
  - EMB-S-100-277-LEDX** 100 watt max capacity, 277 VAC 60Hz
  - EMB-S-250-120/277-LEDX** 250 watt max capacity, 120 or 277 VAC 60Hz
- During disruption of main power, emergency battery inverter provides temporary 120V or 277V to fixture.

## STATIC WHITE PERFORMANCE - 3000K - SOFT FOCUS LENS

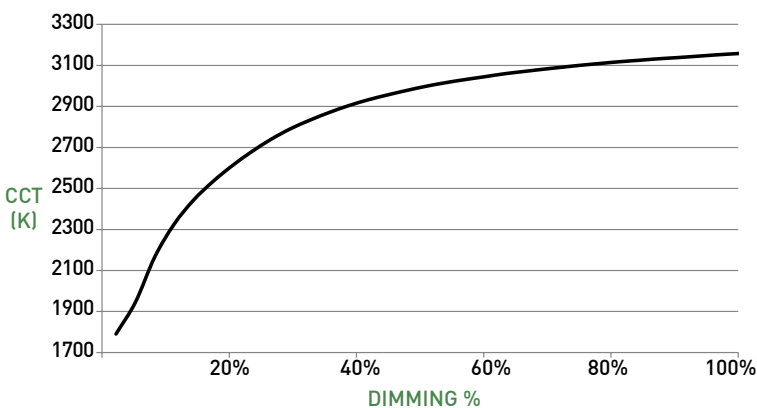
LUMEN PACKAGE	WATTAGE	15° OPTIC		25° OPTIC		40° OPTIC		60° OPTIC	
		DELIVERED	LPW	DELIVERED	LPW	DELIVERED	LPW	DELIVERED	LPW
80C12A	10	831	84	794	80	758	77	807	82
80C19A	17	1282	78	1225	75	1169	71	1244	76
80C25A	24	1702	73	1627	70	1552	66	1652	71
90C10A	10	712	72	681	69	649	66	691	70
90C15A	17	1098	67	1050	64	1001	61	1066	65
90C20A	24	1459	62	1394	60	1330	57	1416	61
97C09A	10	637	64	609	62	581	59	618	63
97C14A	17	983	60	939	57	896	55	954	58
97C19A	24	1305	56	1247	53	1190	51	1267	54
90W13A	16	-	-	971	60	892	55	957	59

OUTPUT MULTIPLIER			
CCT	80+ CRI	90+ CRI	97+ CRI
2700K	1.158	0.957	0.873
3000K	1.211	1.000	0.912
3500K	1.234	1.019	0.927
4000K	1.249	1.030	0.940

LIGHT LOSS FACTOR MULTIPLIER	
No Lens	1.05
CGL	1.05
SFL	1.00
FGL	0.90
FSFL	0.87
FLSL	0.83
HCL	0.65

## WARM DIM PERFORMANCE

DETAILED PERFORMANCE	Full on 100%	Dimmed to 80%	Dimmed to 70%	Dimmed to 50%	Dimmed to 20%	Dimmed to 10%	Dimmed to 2%
CCT (K)	3200	3150	3100	3000	2700	2200	1800
Light Output (Lm)	1300	1050	900	630	250	115	25
Power (W)	14	11	10	7	3	1.5	0.3
Efficacy (LPW)	92	93	90	90	83	76	74

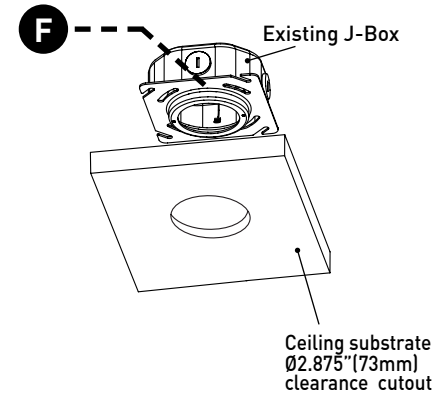
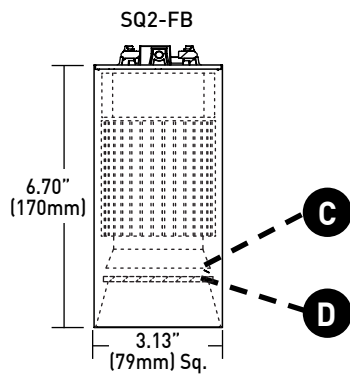
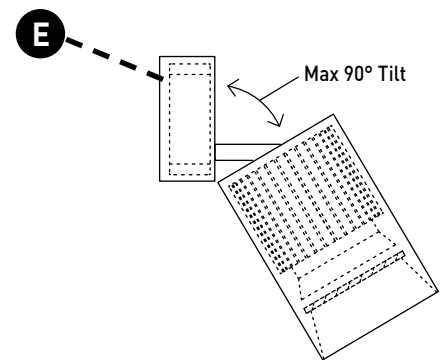
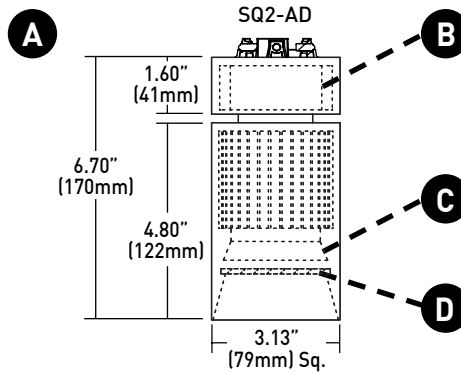


# SQUILINDER SURFACE MOUNT

## FIXTURE

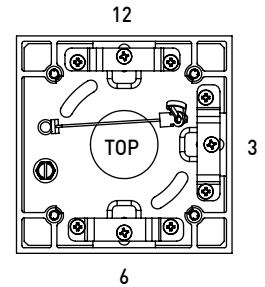
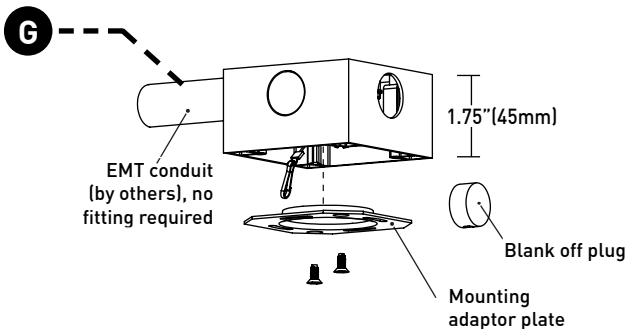
- A LUMINAIRE**  
Machined body with integral heat sink and LED. Power supply may be integral or remote mount.
- B CANOPY / ADJUSTABILITY**  
Machined 1.60" (41mm) depth canopy accommodates flat and slope ceiling conditions. Conceals hidden mounting hardware. Features self-locking 357° rotation and 90° tilt standard.
- C OPTICS**  
Proprietary field-changeable optics available in 15°, 25°, 40° & 60° beams.
- D EFFECTS DEVICES**  
Squilinder baffle assembly can accept 1 lens; soft focus lens standard and sealed in place. Suction tool provided for removal of baffle lens assembly.
- E WALL-MOUNT**  
SQ2-AD may be wall mounted, Dry / Damp location only.

## DIMENSIONS / DRAWINGS



## MOUNTING

- F JBMP**  
Mounting plate (concealed) for standard j-box. To be installed during rough-in prior to substrate. Fixture to mount flush with minimalist transition to ceiling.
- G CMJB**  
Ceiling mount junction box perfectly matches the squilinder profile for a continuous, integrated look where exposed ceiling mount junction box and conduit applications apply. For use with 1/2" and 3/4" EMT conduit only. Features three conduit entrances at 12, 3, and 6 o'clock plus one conduit knockout on top. Painted finishes only. Blank off plugs included.

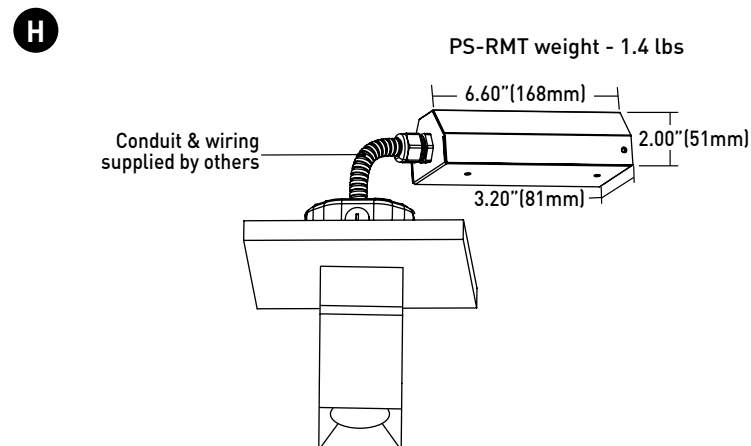


## MOUNTING NOTES

- SQ2-JBMP not recommended for use with pancake style j-box.

## REMOTE POWER SUPPLY

- H PS-RMT**  
Remote power supply provides additional driver options. Mounting device still required. Consult install guide for maximum allowable secondary run lengths between PS-RMT and fixture.



# SQUILINDER SURFACE MOUNT

## TECHNICAL

### CONSTRUCTION

**Squilinder:** Machined aluminum body; painted finishes are granulated powder coat.

**CMJB:** Die-cast aluminum body; painted finishes are granulated powder coat.

**Remote Power Supply:** 22 Gauge galvanized steel.

### LED

Proprietary Citizen 2 step MacAdam ellipse LED module available in 80+, 90+ and 97+ CRI configurations in color temperatures of 2700K, 3000K, 3500K and 4000K. Average rated lamp life of 50,000 hours. LED and driver assemblies are field-replaceable.

### WARM DIM LED

Proprietary 3 step MacAdam ellipse warm dim LED module available in 90+ CRI configuration. 3200K at full brightness, warming to 1800K at full dim. Average rated lamp life of 50,000 hours. LED and driver assemblies are field-replaceable.

### POWER SUPPLY PERFORMANCE AND DIMMING INFORMATION

Power Supply	CA2	CE2	TR2	L23	LH1	AN4	LN2	EA2	LA2	ED1	LD1
Minimum °C	-20 °C	-20 °C	-20 °C	0 °C	0 °C	-20 °C	-20 °C	-20 °C	-20 °C	-20 °C	-20 °C
Maximum °C	40 °C	40 °C	40 °C	40 °C	40 °C	40 °C	40 °C	40 °C	40 °C	40 °C	40 °C
Dimming %	2.0%	2.0%	2.0%	1.0%	1.0%	1.0%	1.0%	0.1%	0.1%	0.1%	0.1%

Note: For TR2, L23, LH1, AN4, LN2, EA2 and LA2 drivers consult chart on page 6 to confirm appropriate dimming curve for compatibility with selected control.

### MOUNTING

Squilinder is supplied with a mounting adaptor plate, which integrates with JBMP, providing a minimalist transition from standard 4/0 or 4" square junction boxes and accommodating ceiling thicknesses of 0.44" (12mm) to 0.75" (19mm). Ceiling-mount junction box available for 1/2" (13mm) and 3/4" (19mm) conduit and feature concealed internal clamps for clean fitting-free conduit exit and entry.

### LISTING

cTUVus listed to UL1598 standard for Dry / Damp (IP10) locations. Title 24 JA8-2019 Listed.

### WARRANTY

Manufacturer's 1-year warranty guarantees product(s) listed to be free from defects in material and workmanship under normal use and service. 5-year warranty on LED and power supply to operate with 70% of the original flux and remain within a range of 3 duv. 10-year Lutron Advantage limited warranty available on Lutron equipped systems. Warranty period begins from the date of shipment by Seller and conditional upon the use of manufacturer-supplied power supply. Consult [website](#) for full warranty terms and conditions.

### CHANGE LOG

1. 10/21/2019: NEW CONSOLIDATED SPEC SHEET WITH SINGLE NOMENCLATURE FOR SPECIFICATION .
2. 10/21/2019: NOW OFFERED WITH SATIN SILVER FINISH.
3. 10/21/2019: ADDED QUICK SHIP.
4. 03/02/2020: UPDATED REPLACEMENT BAFFLE PART NUMBERS.
5. 09/21/2020: ADDED CMJB MOUNTING OPTION.

# SQUILINDER SURFACE MOUNT

## DIMMING COMPATIBILITY

### PHILIPS DRIVER COMPATIBILITY

Power supply <b>TR2</b> Manufacturer	Family/Model #
Lutron Electronics	DV-600P
Lutron Electronics	DVELV-303P
Lutron Electronics	NTELV-600
Lutron Electronics	MAELV-600
Lutron Electronics	SELV-300P
Lutron Electronics	DVLV-600P
Lutron Electronics	NFTU-5A
Lutron Electronics	CTCL-153P
Lutron Electronics	GL-600H
Lutron Electronics	S-600P
Lutron Electronics	PHPM
Power supply <b>AN4 / LN2</b> Manufacturer	Family/Model #
Lutron Electronics	DVTV plus PP-DV
Lutron Electronics	DVSCTV plus PP-DV
Lutron Electronics	DVSTV
Lutron Electronics	DVSCSTV
Lutron Electronics	QSGRJ-XP plus GRX-TVI
Lutron Electronics	QSGRJ-XE plus GRX-TVI
Lutron Electronics	QSGR-XE plus GRX-TVI
Lutron Electronics	NFTV plus PP-DV
Lutron Electronics	NTSTV
Lutron Electronics	RMJ-5T
Lutron Electronics	RMJS-8T
Lutron Electronics	FCJS-010
Leviton	IllumaTch IP7 series
Philips	Sunrise - SR1200ZTUNV

### LUTRON DRIVER COMPATIBILITY

Power supply <b>L23</b> Lutron Product Family	Part No.
Maestro WirelessR 600 W dimmer	MRF2-6ND-120-
Maestro WirelessR 1000 W dimmer	MRF2-10ND-120-
Caséta® Wireless Pro 1000 W dimmer	PD-10NXD-
GRAFIK T™ CL® dimmer	GT-250M- GTJ-250M-
HomeWorks® QS adaptive dimmer	HQRD-6NA-
HomeWorks® QS 600 W dimmer	HQRD-6ND-
HomeWorks® QS 1000 W dimmer	HQRD-10ND-
RadioRA® 2 adaptive dimmer	RRD-6NA-
RadioRA® 2 1000 W dimmer	RRD-10ND
myRoom™ DIN power module	MQSE-4A1-D
HomeWorks® QS DIN power module	LQSE-4A1-D
HomeWorks® QS wallbox power module	HQRJ-WPM-6D-120
HomeWorks® wallbox power module	HWI-WPM-6D-120
GRAFIK Eye® QS control unit	QSGR-, QSGRJ-
GRAFIK Eye® 3000 control unit	GRX-3100- GRX-3500-
RPM-4U module (LCP, HomeWorks® QS, GRAFIK Systems™, Quantum®)	HW-RPM-4U-120 LP-RPM-4U-120
RPM-4A module (LCP, HomeWorks® QS, GRAFIK Systems™, Quantum®)	HW-RPM-4A-120, LP-RPM-4A-120
GP dimming panels	Various
Ariadni CL 250W dimmer	AYCL-253P-
Diva CL 250W dimmer	DVCL-253P- DCSCCL-253P-
Nova T CL 250W dimmer	NTCL-250-
Power supply <b>LH1</b> Lutron Product Family	Part No.
PowPak Dimming Modules	RMJ-ECO32-DV-B
PowPak Dimming Modules	FCJ/FCJS-ECO
Energi Savr Nodes	QSN-1ECO-S
GRAFIK Eye QS control unit	QSN-2ECO-S
Homeworks QS control unit	QSGRJ- E (wireless) QSGR- E
Quantum Hub	QP2-__ 2C
Quantum Hub	QP2-__ 4C
Quantum Hub	QP2-__ 6C
Quantum Hub	QP2-__ 8C
Homeworks QS power module	LQSE-2ECO-D
myRoom Plus power module	

### eldoLED DRIVER COMPATIBILITY

Power supply <b>EA2 / LA2</b> Dimmer / Switch Control Manufacturer	Family/Model #
Busch-Jaeger	2112U-101
Jung	240-10
Leviton Lighting Controls	IP710-DLX
Lightolier Controls	ZP600FAM120
Lutron Electronics	Nova T® - NTFTV
Lutron Electronics	Div@® - DVTV
Lutron Electronics	Nova@® - NFTV
Merten	5729
Pass & Seymour	CD4FB-W
The Watt Stopper	DCLV1
Sensor Switch	nI0 EZ
Synergy	ISD BC
Power supply <b>EA2 / LA2</b> Lighting Control Systems Manufacturer	Family/Model #
Lutron Electronics	GrafixEye® GRX-TVI w GRX3503
Lutron Electronics	Energy Savr Node™ - QSN-4T16-S
Lutron Electronics	TVM2 Module
Crestron®	GLX-DIMFLV8
Crestron®	GLXP-DIMFLV8
Crestron®	GLPAC-DIMFLV4-*
Crestron®	GLPAC-DIMFLV8-*
Crestron®	GLPP-DIMFLVEX-PM
Crestron®	GLPP-1DIMFLV2EX-PM
Crestron®	GLPP-1DIMFLV3EX-PM
Crestron®	DIN-A08
Crestron®	DIN-4DIMFLV4
Crestron®	CLS-EXP-DIMFLV
Crestron®	CLCI-1DIMFLV2EX
ABB	SD/S 2.16.1



# SQUILINDER SURFACE MOUNT

## DRIVE CURRENT SPECIFICS

	80C			90C			97C			90W
	12A	19A	25A	10A	15A	20A	09A	14A	19A	13A
Minimum Vf	30.5	30.5	30.5	30.5	30.5	30.5	30.5	30.5	30.5	30.5
Maximum Vf	39	39	39	39	39	39	39	39	39	39
Current mA	250	400	550	250	400	550	250	400	550	14 - 350
Wattage W	8.2	13.6	19.4	8.2	13.6	19.4	8.2	13.6	19.4	11.8