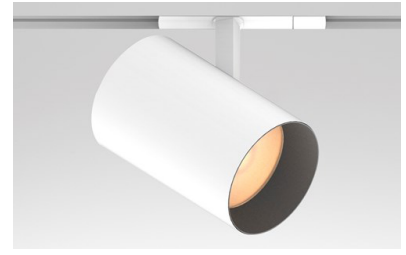


# CYLINDER TRACK HEAD

## CT2-AD

PROJECT NAME:	TYPE:
---------------	-------



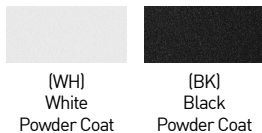
Highlight art, objects, places, spaces, seating areas, and architectural details with a classic profile that offers easy-to-adjust, in-field versatility.

### ORDERING INFORMATION - TRACK HEAD



JA8-2019 COMPLIANCE INDICATED BY SHADING

CYLINDER	FIXTURE	RATING	CYLINDER FINISH	BAFFLE FINISH	LUMEN PACKAGE	CCT	OPTIC	DRIVER	EFFECTS DEVICE
CT2	AD	1						CE2	
CT2 3.25"	AD Standard 90°	1 Dry/Damp	WH White BK Black	WH White BK Black	<b>STATIC WHITE</b> <b>80C12A</b> 80+ CRI, 1200 Source Lumens (Delivered Lumens - 721) <b>80C19A</b> 80+ CRI, 1900 Source Lumens (Delivered Lumens - 1112) <b>90C10A</b> 90+ CRI, 1000 Source Lumens (Delivered Lumens - 618) <b>90C15A</b> 90+ CRI, 1500 Source Lumens (Delivered Lumens - 953) <b>97C09A</b> 97+ CRI, 900 Source Lumens (Delivered Lumens - 553) <b>97C14A</b> 97+ CRI, 1400 Source Lumens (Delivered Lumens - 853)  <b>WARM DIM</b> <b>90W13A</b> 90+ CRI, 1300 Source Lumens (Delivered Lumens - 814)	27 2700K 30 3000K 35 3500K 40 4000K	15 15° 25 25° 40 40° 60 60°	CE2 120V Electronic ELV Forward / Reverse Phase	<b>STANDARD EFFECTS DEVICE</b> <b>4</b> Soft Focus Lens  <b>ALTERNATE EFFECTS DEVICE</b> <b>2</b> Honeycomb Louver* *(Not available for Warm Dim) <b>3</b> Clear Glass Lens* *(Not available for Warm Dim) <b>5</b> Frosted Glass Lens <b>6</b> Frosted Soft Focus Lens <b>7</b> Frosted Linear Spread Lens



### PART NUMBER NOTES

- CT2 ships as e.g., CT2-AD-1-WHBK-90C10A2-3-CE2-4

### ACCESSORIES

#### ALTERNATE EFFECTS DEVICES

- HCL-CT2** Honeycomb Louver\*  
\*(Not available for Warm Dim)
- CGL-CT2** Clear Glass Lens\*  
\*(Not available for Warm Dim)
- SFL-CT2** Soft Focus Lens
- FGL-CT2** Frosted Glass Lens
- FSFL-CT2** Frosted Soft Focus Lens
- FLSL-CT2** Frosted Linear Spread Lens

#### REPLACEMENT OPTICS

- Interchangeable optics accessible by removing baffle.
- RO-70-15-1** 15° optic\*  
\*(Not available for Warm Dim)
  - RO-70-25-1** 25° optic
  - RO-70-40-1** 40° optic
  - RO-70-60-1** 60° optic

# CYLINDER TRACK HEAD CT2-AD

## STATIC WHITE PERFORMANCE - 3000K - SOFT FOCUS LENS

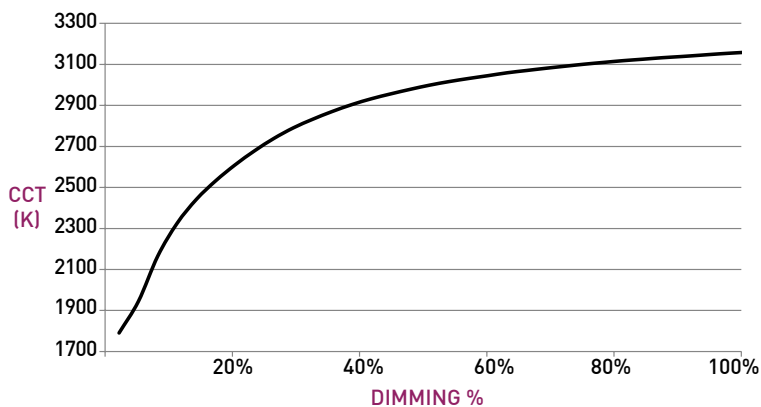
LUMEN PACKAGE	WATTAGE	15° OPTIC		25° OPTIC		40° OPTIC		60° OPTIC	
		DELIVERED	LPW	DELIVERED	LPW	DELIVERED	LPW	DELIVERED	LPW
80C12A	10	819	82	745	75	721	72	770	77
80C19A	17	1263	75	1150	69	1112	66	1188	71
90C10A	10	701	70	639	64	618	62	660	66
90C15A	17	1082	65	985	59	953	57	1017	61
97C09A	10	628	63	572	57	553	55	590	59
97C14A	17	968	58	881	53	853	51	910	54
90W13A	16	901	56	842	52	815	50	850	53

CCT MULTIPLIER			
CCT	80+ CRI	90+ CRI	97+ CRI
2700K	1.158	0.957	0.873
3000K	1.211	1.000	0.912
3500K	1.234	1.019	0.927
4000K	1.249	1.030	0.940

LIGHT LOSS FACTOR MULTIPLIER	
CGL	1.05
SFL	1.00
FGL	0.90
FSFL	0.87
FLSL	0.83
HCL	0.65

## WARM DIM PERFORMANCE

DETAILED PERFORMANCE	Full on 100%	Dimmed to 80%	Dimmed to 70%	Dimmed to 50%	Dimmed to 20%	Dimmed to 10%	Dimmed to 2%
CCT (K)	3200	3150	3100	3000	2700	2200	1800
Light Output (Lm)	1300	1050	900	630	250	115	25
Power (W)	14	11	10	7	3	1.5	0.3
Efficacy (LPW)	92	93	90	90	83	76	74



# CYLINDER TRACK HEAD CT2-AD

## TRACK HEAD

### A ADJUSTABILITY

Power supply integrated into fixture body.  
Toolless hot-aim up to 90° tilt and 370° rotation.

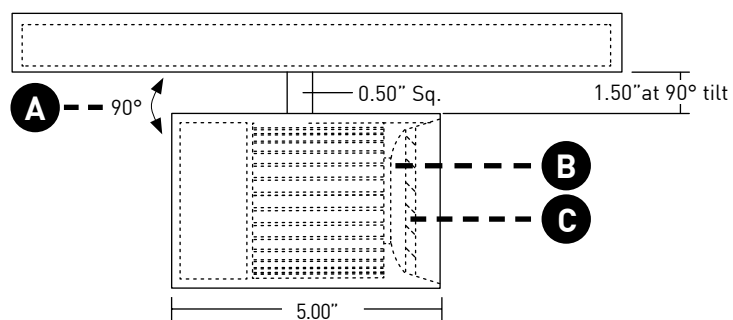
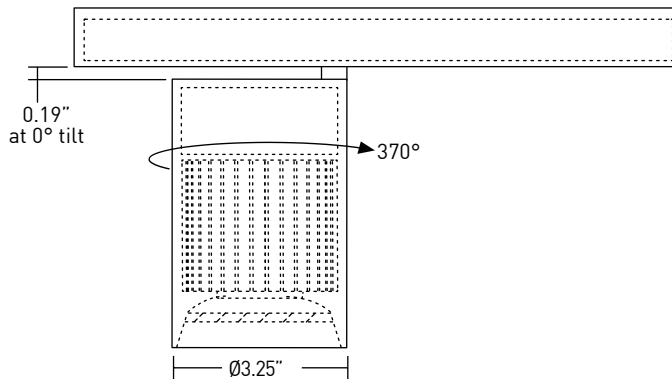
### B OPTICS

Proprietary field-changeable optics available in  
15°, 25°, 40° & 60° beams.

### C EFFECTS DEVICES

Track Head accepts 1 lens; comes standard with  
Soft Focus Lens.

## DIMENSIONS / DRAWINGS



# CYLINDER TRACK HEAD CT2-AD

## TECHNICAL

### CONSTRUCTION

**Track Head:** Machined aluminum body; painted finishes are granulated powder coat.

### LED

2 step MacAdam ellipse LED module available in 80+, 90+ and 97+ CRI configurations in color temperatures of 2700K, 3000K, 3500K, and 4000K. Average rated lamp life: 50,000 hours. LED and driver assemblies are field-replaceable.

### WARM DIM LED

Proprietary 3 step MacAdam ellipse warm dim LED module available in 90+ CRI configuration. 3200K at full brightness, warming to 1800K at full dim. Average rated lamp life: 50,000 hours. LED and driver assemblies are field-replaceable.

### POWER SUPPLY PERFORMANCE AND DIMMING INFORMATION

Power Supply	CE2
Minimum °C	-20 °C
Maximum °C	40 °C
Dimming %	2.0%

### MOUNTING

Cylinder track head mounts to recessed, surface or pendant mount track assemblies, specified separately.

### LISTING

Listed to UL1598 standard for Dry locations.

### WARRANTY

Manufacturer's 1-year warranty guarantees product(s) listed to be free from defects in material and workmanship under normal use and service. 5-year warranty on LED and power supply to operate with 70% of the original flux and remain within a range of 3 duv. Warranty period begins from the date of shipment by Seller. [Consult website for full warranty terms and conditions.](#)