

# 2 SERIES HAL INT

## ADJUSTABLE

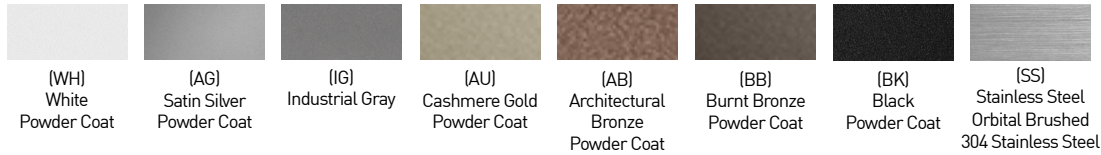
Our smallest aperture family of pin-hole fixtures offers high-output illumination for high-drama design statements in discerning residential, retail, and hospitality environments.

|               |       |
|---------------|-------|
| PROJECT NAME: | TYPE: |
|---------------|-------|



### ORDERING INFORMATION

| FITTING             | RATING                  | FLANGE FINISH                                 | INSTALL TYPE | CEILING THICKNESS | POWER SUPPLY   | EFFECTS DEVICE   | FLANGE CONFIGURATION                             |
|---------------------|-------------------------|---|--------------|-------------------|--|--|--|
| 2RA Round Expanded  | 1 IP20 Dry / Damp       | WH White                                      | EX           | 0 3mm - 13mm      | INTERNATIONAL (120V - 240V)  | Standard Effects Device  | F Flange Overlay (No Applique)*                  |
| 2PA Round Pinhole   | 2 IP64 Wet*             | AG Satin Silver                               | EX Export    | 1 13mm - 20mm     | LVH Low Voltage Halogen*<br>*(Fitting ships with MR16 socket, power supply not provided)   | 04 Soft Focus Lens   | *(Required for Zero-Sightline wood applications) |
| 2SA Square Expanded | *(Lens sealed in place) | IG Industrial Gray                            |              | 2 20mm - 32mm     | MVH Mains Voltage Halogen*<br>*(Fitting ships with GU10 socket, power supply not provided) | Optional Effects Device  | G Zero Sightline Gypsum (1.57mm Applique)*       |
|                     |                         | AU Cashmere Gold                              |              | 3 32mm - 51mm     |  | NL No Lens*<br>*(Not available for IP64 wet location)                    | *(Not available for wet location)                |
|                     |                         | AB Arch Bronze                                |              | 4 51mm - 76mm     |  | 01 Linear Spread Lens  | P Zero Sightline Plaster (3.18mm Applique)*      |
|                     |                         | BB Burnt Bronze                               |              |                   |  | 02 Honeycomb Louver*<br>*(Not available for IP64 wet location)           | *(Not available for wet location)                |
|                     |                         | BK Black                                      |              |                   |  | 03 Clear Glass Lens  |  |
|                     |                         | PR Primer                                     |              |                   |  | 05 Frosted Glass Lens  |  |
|                     |                         | SS Stainless Steel*<br>*(Increased lead time) |              |                   |  | 09 Ultra Violet Lens   |  |
|                     |                         | CF Custom*<br>*(Consult Factory)              |              |                   |  | 26 Frosted Linear Spread Lens*<br>*(Not available for IP64 wet location) |  |



### PART NUMBER NOTES

- Fitting ships as e.g. 2RA1-WH-EX-1-LVH04
- Appliqué ships with fitting

### ACCESSORIES

#### ALTERNATE EFFECTS DEVICES

- LSL-2 Linear Spread Lens
- HCL-2 Honeycomb Louver\*

\*(Not available for IP64 wet location)

- CGL-2 Clear Glass Lens
- SFL-2 Soft Focus Lens
- FGL-2 Frosted Glass Lens
- UVL-2 Ultra Violet Lens
- FLSL-2 Frosted Linear Spread Lens\*

\*(Not available for IP64 wet location)

#### ROUTER TOOL GUIDE (IP10 Dry / Damp locations only)

Recommended for Zero-Sightline installations in wood ceilings. Must Specify F Flange Configuration

- DLA-RTG-2S-RD Tool, router guide; reusable

#### ADJUSTMENT TOOL

One included with every four fittings.

- TOOL-HEX-050

# 2 SERIES HAL INT ADJUSTABLE

## DOWNLIGHT FITTING

Hot-aim adjustment from below up to 45° tilt and 357° rotation, faceplate conceals adjustment mechanisms.

- A ADJUSTABLE YOKE**  
Adjustable yoke allows for quick exchange of lamp and effects devices. Accommodates up to 2 effects devices.
- B TILT GUIDE**  
Features adjustment angles and allows for pre-aiming prior to insertion of fitting.
- C EFFECTS DEVICES**  
Soft Focus Lens standard; effects device must be specified. Lens is sealed in aperture in IP64 Wet location fitting. Secondary effects device available.
- D FITTING PLATE**  
Features removable faceplate providing access to adjustment mechanisms. Rare Earth magnets secure faceplate firmly to fitting mechanism and do not degrade over time.
  - IP10 Dry / Damp Location: Thickness measures 1.5mm
  - IP64 Wet Location: Sealed aperture and integral silicone gasket. 4.3mm return, installed as flange overlay only.
- E DOWNLIGHT FITTING ADAPTER**  
Included with fitting and required for installation. Uses (2) #6-32 flat-head screws with varying lengths to accommodate ceiling depth. Installed after ceiling is complete. Requires 92mm diameter cutout for flange overlay applications.
- E1 RETENTION**  
Engineered integral ball plungers correspond to fitting adaptor ensuring snug fit against finished ceiling.

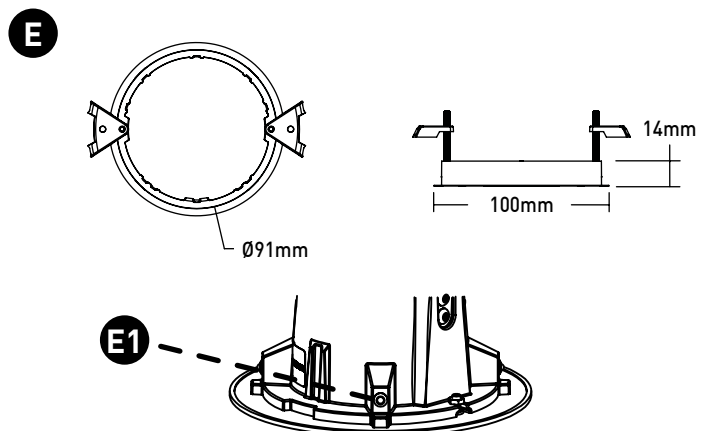
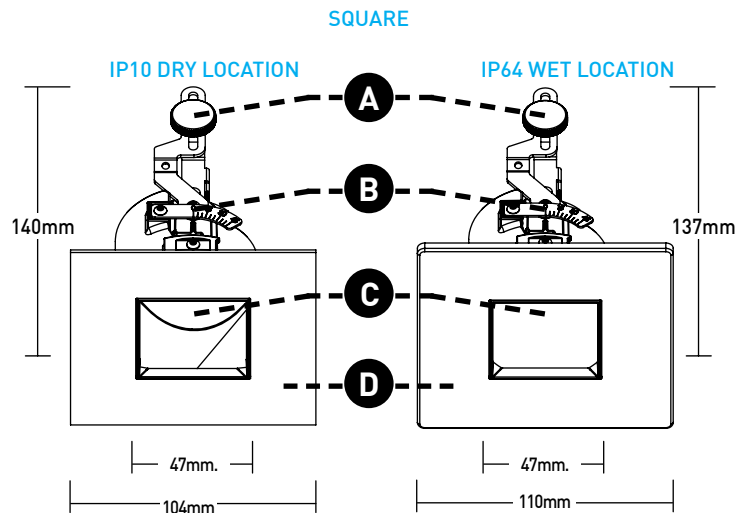
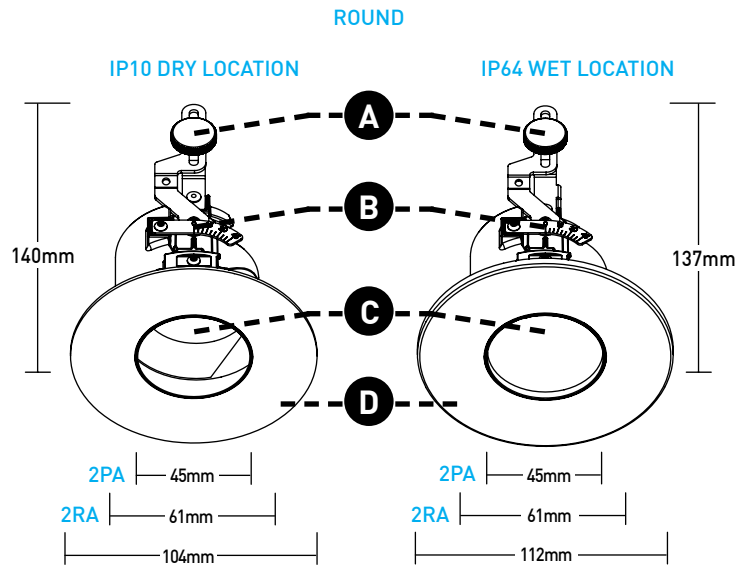
## TILT CHART

Chart references abbreviated ceiling thickness and use of 1 effects device.

| CEILING THICKNESS | ≤ 19mm<br>"-1" adaptor | ≤ 25mm<br>"-2" adaptor | ≤ 32mm<br>"-2" adaptor | ≤ 38mm<br>"-3" adaptor | ≤ 44mm<br>"-3" adaptor | ≤ 50mm<br>"-3" adaptor |
|-------------------|------------------------|------------------------|------------------------|------------------------|------------------------|------------------------|
| Available Tilt    | 45°                    | 44°                    | 41°                    | 35°                    | 35°                    | 33°                    |

| CEILING THICKNESS | ≤ 57mm<br>"-4" adaptor | ≤ 70mm<br>"-4" adaptor | ≤ 76mm<br>"-4" adaptor |
|-------------------|------------------------|------------------------|------------------------|
| Available Tilt    | 15°                    | 15°                    | 13°                    |

## DIMENSIONS / DRAWINGS



# 2 SERIES HAL INT ADJUSTABLE

## ZERO-SIGHTLINE INSTALLATIONS

Zero-Sightline installations available for IP10 Dry / Damp location fittings only. When installed according to manufacturer's instructions and ceiling conditions are met, fitting is flush with the ceiling plane. Consult 2-Series Installation Guidelines for appropriate ceiling cutouts and instructions for proper Zero-Sightline installations.

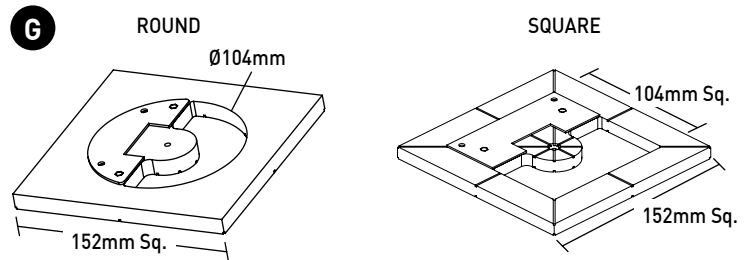
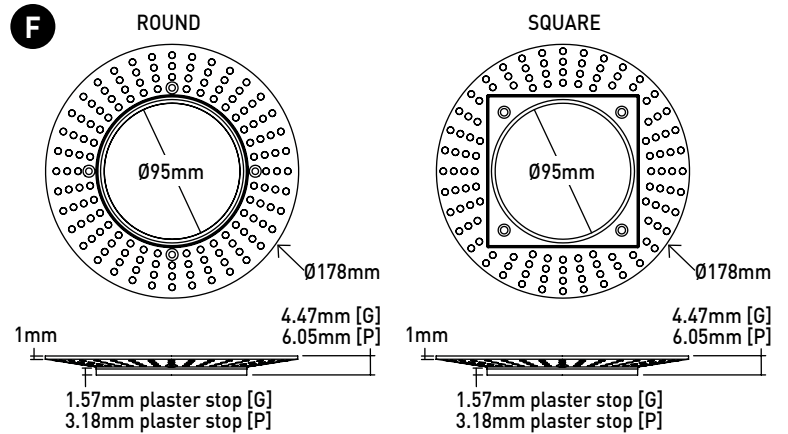
### F APPLIQUÉ

- Specified on Flange Configuration and ships with housing; ships separately on remodel installations.
- For use in sheetrock ceiling applications.
- 1.57mm Appliqué (G Flange Configuration) recommended for gypsum ceiling installations and has plaster stop thickness of 1.57mm. Recommended for painted ceiling applications.
- 3.18mm Appliqué (P Flange Configuration) offers double thick plaster stop of 3.18mm where a heavier application of mud is preferred. Recommended for colorfast and venetian plaster applications. Not recommended for stucco applications.

### G ROUTER TOOL GUIDE

- Specified separately and used with Flange Overlay configurations.
- For use in wood ceiling applications.
- **DLA-RTG-2S-RD** or **DLA-RTG-2S-SQ** required for wood Zero-Sightline ceiling installations.
- Router tool guide is reusable and suitable for multiple fixtures, minimum one per installer required.

## DIMENSIONS / DRAWINGS



# 2 SERIES HAL INT ADJUSTABLE

## TECHNICAL

### CONSTRUCTION

Downlight Fitting: Steel and aluminum; Painted finishes are granulated powder coat.

Fitting Adaptor: High impact composite and stainless steel.

Appliqué: Zinc alloy.

### LAMP

MR-16 halogen and LED; 12-volt GU5.3 base and line / mains GU10 base.

To ensure optimal results, it is recommended to specify lamps supplied by Lucifer Lighting. Note: MR-16 LED lamps, other than those listed, must be independently confirmed as compatible by the corresponding lamp manufacturer. Consult factory for assistance.

### DIMMING PROTOCOL

Best achieved using a corresponding reverse phase control for electronic transformers and a forward phase control for magnetic transformers.

Compatibility and performance may vary between controls and applied loads.

### LISTING

CE Listed for IP10 Dry / Damp and IP64 Wet locations. NOM Certified.

### WEIGHT

Fitting - 1.2 lbs max

### LIMITED WARRANTY

Manufacturer's 1-year warranty, from the date of shipment by Seller, on all Lucifer Lighting provided system components. Consult website for full warranty terms and conditions.

### CHANGE LOG

1.02/14/2025: UPDATED FINISH OFFERINGS.