

2 SERIES LED INT

DEEP REGRESS

High-output, low profile, and infinite adjustment -- these small aperture downlights make elegant design statements in discerning residential, retail, and hospitality environments.

PROJECT NAME:	TYPE:
---------------	-------



ORDERING INFORMATION

TRIM	RATING	FLANGE	CRI	WATTAGE	CCT	OPTIC (UGR)	INSTALL TYPE	CEILING THICKNESS	POWER SUPPLY	MEDIA	FLANGE CONFIGURATION
2RD Round Expanded Deep 2PD Round Pinhole Deep 2SD Square Expanded Deep	1 IP20 Dry/Damp 2 IP64 Wet* *(Lens sealed in place)	WH White	LOW FLUX/ HIGH FLUX STATIC WHITE 06A 06W Lm - 2RD/2SD 584, PD 530 11A 06W Lm - 2RD/2SD 956, PD 860 15A 06W Lm - 2RD/2SD 1281, PD 1163 HIGH FLUX STATIC WHITE 21A 21 Watts Lm - 2RD/2SD 1746, PD 1576 WARM DIM 90L 90+ 11A 11W 15A 15W 22A 22W Incandescent Profile 11A Lm - 2RD 790, 2SD 801, 2PD 745 15A Lm - 2RD 1054, 2SD 1068, 2PD 994 22A Lm - 2RD 1370, 2SD 1388, 2PD 1292 Halogen Profile 11A Lm - RD 832, SD 843, PD 785 15A Lm - RD 1109, SD 1124, PD 1046 22A Lm - RD 1486, SD 1506, PD 1402 *SEE PAGE 3 FOR DETAILED WARM DIM PROFILE COMPARISON. TUNABLE WHITE 90T 90+ 17A 17W Warm Profile Lm - 2RD 1222, 2PD 1052, 2SD 1100 Cool Profile Lm - 2RD 1058, 2PD 1043, 2SD 952 *ALL DELIVERED LUMEN OUTPUTS REFLECT 3000K PAIRED WITH 20° OPTIC AND SOFT FOCUS LENS. **ALL T-24 COMPLIANCE REFLECT 3000K PERFORMANCE. REFERENCE PAGE 3 FOR COMPLETE T24 COMPLIANT CONFIGURATION BREAKDOWN.	LOW FLUX STATIC WHITE 3.73" TALL HOUSING	24 2400K* *(90 CRI only, 15W max) 27 2700K 30 3000K 35 3500K 40 4000K	10 10° (<13) *(15W packages only) 15 15° (<13) 20 20° (<13) 25 25° (<13) 40 40° (<13) 60 60°** (<13) **[Not recommended for 2PD]	EX Export	0 3mm-13mm 1 13mm-20mm 2 20mm-32mm 3 32mm-51mm 4 51mm-76mm	(120-277V) TR2 Philips, 2% Forward/Reverse* *(120V, for Mexico only) AN3 eldoLED, ECOdrive 1.0% 0-10V, LOG LN1 eldoLED, ECOdrive 1.0% 0-10V, LIN EA1 eldoLED, SOL0drive 0.1% 0-10V, LOG LA1 eldoLED, SOL0drive 0.1% 0-10V, LIN ED1 eldoLED, SOL0drive 0.1% DALI-2, LOG LD1 eldoLED, SOL0drive 0.1% DALI-2, LIN NOD Driver Supplied by Others TUNABLE WHITE REMOTE (0.1%, 120-277V) DD1 eldoLED, DUALdrive DALI-2, LOG	Standard Media 04 Soft Focus Lens *(Required for 10° optic) Alternate Media NL No Lens* *(Not available for wet location) 02 Honeycomb Louver* *(Not available for wet location) 03 Clear Glass Lens 05 Frosted Glass Lens 09 Ultra Violet Lens 11 Shatterproof Soft Focus Lens 12 Shatterproof Frosted Lens 26 Frosted Linear Spread Lens* *(Not available for wet location)	F Flange Overlay (No Applique)* *(Required for Zero-Sightline wood applications) G Zero Sightline Gypsum (1.57mm Applique)* *(Not available for wet location) P Zero Sightline Plaster (3.18mm Applique)* *(Not available for wet location)

PART NUMBER NOTES

- Fittings ships as e.g., 2RD1-WH-80S15A2-2EX1-AN304
- Driver ships with fitting
- Applique ships with fitting



2 SERIES LED INT DEEP REGRESS

ACCESSORIES

ALTERNATE MEDIA

- HCL-2** Honeycomb Louver*
- *(Not available for IP64 wet location)
- CGL-2** Clear Glass Lens
- SFL-2** Soft Focus Lens
- FGL-2** Frosted Glass Lens
- UVL-2** Ultra Violet Lens
- FLSL-2** Frosted Linear Spread Lens*
- *(Not available for IP64 wet location)
- SFL-2-SP** Shatterproof Soft Focus Lens
- FGL-2-SP** Shatterproof Frosted Lens

STATIC WHITE REPLACEMENT OPTICS

- RO-50-15-S** 15° optic
- RO-50-20-S** 20° optic
- RO-50-25-S** 25° optic
- RO-50-40-S** 40° optic
- RO-50-60-S** 60° optic*
- *(Not recommended for 2PA)

WARM DIM REPLACEMENT OPTICS

- RO-50-20-W** 20° optic
- RO-50-25-W** 25° optic
- RO-50-40-W** 40° optic
- RO-50-60-W** 60° optic*
- *(Not recommended for 2PA)

TUNABLE WHITE REPLACEMENT OPTICS

- RO-50-15-T** 15° optic
- RO-50-20-T** 20° optic
- RO-50-25-T** 25° optic
- RO-50-40-T** 40° optic
- RO-50-60-T** 60° optic*
- *(Not recommended for 2PA)

ROUTER TOOL GUIDE (IP10 Dry / Damp locations only)
Recommended for Zero-Sightline installations in wood ceilings.

- DLA-RTG-25-RD** Tool, [router guide](#), round; reusable
- DLA-RTG-25-SQ** Tool, [router guide](#), square; reusable

ADJUSTMENT TOOL

- One included with every four fittings.
- TOOL-HEX-050**

FINISHES BY LUCIFER LIGHTING



DRIVE CURRENT SPECIFICS

	80S				90S				97S				90L			90T
	06A	11A	15A	21A	06A	11A	15A	21A	06A	11A	15A	21A	11A	15A	22A	17A
Minimum Vf	30.5	30.5	30.5	30.5	30.5	30.5	30.5	30.5	30.5	30.5	30.5	30.5	30.5	30.5	30.5	30.5
Maximum Vf	36.2	36.2	36.2	36.2	36.2	36.2	36.2	36.2	36.2	36.2	36.2	36.2	37	37	37	37.6
Current mA	150	250	350	500	150	250	350	500	150	250	350	500	250	350	500	400
Wattage W	5.1	8.2	11.8	17.4	5.1	8.2	11.8	17.4	5.1	8.2	11.8	17.4	8.2	11.8	17.4	17.4

	10 DEGREE OPTIC		
	80S15C	90S15C	97S15C
Minimum Vf	30.5	30.5	30.5
Maximum Vf	36.2	36.2	36.2
Current mA	350	350	350
Wattage W	11.8	11.8	11.8

2 SERIES LED INT DEEP REGRESS

PERFORMANCE - 3000K

CRI / WATTAGE PACKAGE	WATTAGE	DEEP REGRESS - 20° OPTIC - SOFT FOCUS LENS					
		2RD		2PD		2SD	
		DELIVERED	LPW	DELIVERED	LPW	DELIVERED	LPW
80S06A	6	677	112	615	102	677	112
80S11A	11	1109	101	998	91	1109	101
80S15A	15	1486	99	1349	90	1486	99
80S21A	21	2025	96	1828	87	2025	96
90S06A	6	584	97	530	88	584	97
90S11A	11	956	87	860	78	956	87
90S15A	15	1281	85	1163	77	1281	85
90S21A	21	1746	83	1576	75	1746	83
97S06A	6	514	85	466	77	514	85
97S11A	11	841	76	757	69	841	76
97S15A	15	1127	75	1023	68	1127	75
97S21A	21	1536	73	1387	66	1536	73
90L11AWL (2700K-1800K)	11	790	72	745	68	801	73
90L11AWD (3000K-1800K)	11	832	76	785	71	843	77
90L15AWL (2700K-1800K)	15	1054	70	994	66	1068	71
90L15AWD (3000K-1800K)	15	1109	74	1046	70	1124	75
90L22AWL (2700K-1800K)	22	1370	62	1292	59	1388	63
90L22AWD (3000K-1800K)	22	1486	68	1402	64	1506	68
90T17ATR (4000K-1800K)	17	1222	57	1052	62	1222	57
90T17ATH (5000K-2700K)	17	1058	54	1043	62	1058	54

CRI / WATTAGE PACKAGE	WATTAGE	DEEP REGRESS - 10° OPTIC - FIELD REDUCER					
		2RD		2PD		2SD	
		DELIVERED	LPW	DELIVERED	LPW	DELIVERED	LPW
80S15C	15	585	39	483	32	587	39
90S15C	15	504	34	416	28	506	34
97S15C	15	435	29	359	24	436	29

OUTPUT MULTIPLIER

CCT	CCT SCALE
2400K	0.76
2700K	0.97
3000K	1.000
3500K	1.03
4000K	1.08

MEDIA LIGHT LOSS FACTOR

MEDIA	LIGHT LOSS FACTOR
NO LENS	1.08
CGL	1.02
SFL	1.00
FGL	0.85
FSFL	0.76
FLSL	0.73
HCL	0.74

TUNABLE WHITE MULTIPLIER

CCT	5000K-2700K	4000K-1800K
5000K	1.16	-
4000K	1.08	1.14
3500K	1.04	1.07
3000K	1.00	1.00
2700K	0.96	0.92
2400K	-	0.84
1800K	-	0.69

UNIFIED GLARE RATING

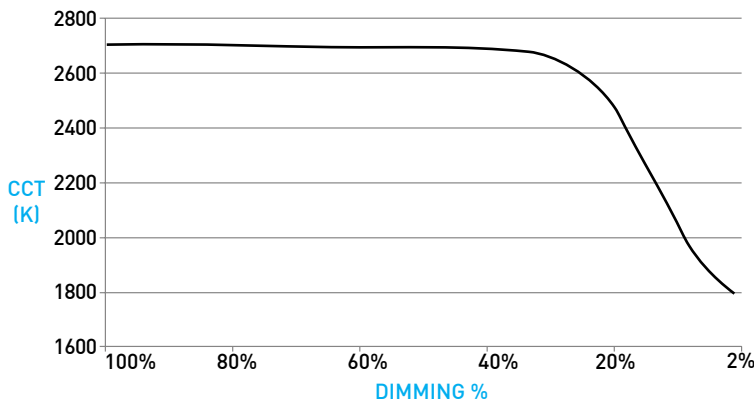
10° OPTIC FIELD REDUCER	20° OPTIC SOFT FOCUS LENS	25° OPTIC SOFT FOCUS LENS	40° OPTIC SOFT FOCUS LENS	60° OPTIC SOFT FOCUS LENS
<13	<13	<13	<13	<13

Part L 75+ LPW configurations comply with residential Part L
95+ LPW configurations comply with commercial Part L

WARM DIM PERFORMANCE - 2RD - 20° OPTIC - SOFT FOCUS LENS

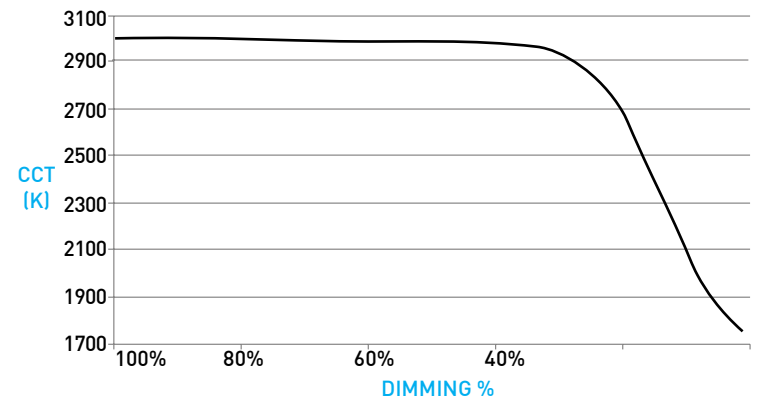
INCANDESCENT PROFILE

90L11AWL 2700K - 1800K	Full on 100%	Dimmed to 80%	Dimmed to 70%	Dimmed to 50%	Dimmed to 20%	Dimmed to 10%	Dimmed to 2%
CCT (K)	2700K	2700K	2700K	2600K	2200K	1900K	1800K
Light Output (Lm)	790	632	553	395	158	79	16
Power (W)	11	8.8	7.7	5.5	2.2	1.1	.2
Efficacy (LPW)	72	72	72	72	72	72	72
90L15AWL 2700K - 1800K	Full on 100%	Dimmed to 80%	Dimmed to 70%	Dimmed to 50%	Dimmed to 20%	Dimmed to 10%	Dimmed to 2%
CCT (K)	2700K	2700K	2700K	2700K	2500K	1900K	1800K
Light Output (Lm)	1054	843	738	527	210	105	21
Power (W)	15	12	10.5	7.5	3	1.5	.3
Efficacy (LPW)	70	70	70	70	70	70	70
90L22AWL 2700K - 1800K	Full on 100%	Dimmed to 80%	Dimmed to 70%	Dimmed to 50%	Dimmed to 20%	Dimmed to 10%	Dimmed to 2%
CCT (K)	2700K	2700K	2700K	2700K	2600K	2100K	1800K
Light Output (Lm)	1370	1096	959	685	274	137	27
Power (W)	22	17.6	15.4	11	4.4	2.2	.4
Efficacy (LPW)	62	62	62	62	62	62	62



HALOGEN PROFILE

90L11AWD 3000K - 1800K	Full on 100%	Dimmed to 80%	Dimmed to 70%	Dimmed to 50%	Dimmed to 20%	Dimmed to 10%	Dimmed to 2%
CCT (K)	3000K	3000K	3000K	3000K	2500K	1900K	1800K
Light Output (Lm)	832	666	582	416	166.4	83	17
Power (W)	11	8.8	7.7	5.5	2.2	1.1	.2
Efficacy (LPW)	76	76	76	76	76	76	76
90L15AWD 3000K - 1800K	Full on 100%	Dimmed to 80%	Dimmed to 70%	Dimmed to 50%	Dimmed to 20%	Dimmed to 10%	Dimmed to 2%
CCT (K)	3000K	3000K	3000K	3000K	3000K	2000K	1800K
Light Output (Lm)	1109	887	776	555	222	111	22
Power (W)	15	12	10.5	7.5	3	1.5	.3
Efficacy (LPW)	74	74	74	74	74	74	74
90L22AWD 3000K - 1800K	Full on 100%	Dimmed to 80%	Dimmed to 70%	Dimmed to 50%	Dimmed to 20%	Dimmed to 10%	Dimmed to 2%
CCT (K)	3000K	3000K	3000K	3000K	3000K	2500K	1800K
Light Output (Lm)	1486	1189	1040	743	297	149	30
Power (W)	22	17.6	15.4	11	4.4	2.2	.4
Efficacy (LPW)	68	68	68	68	68	68	68



NOTE: LIN-TO-LIN 0-10V PAIRING NOT COMPATIBLE WITH WARM DIM.

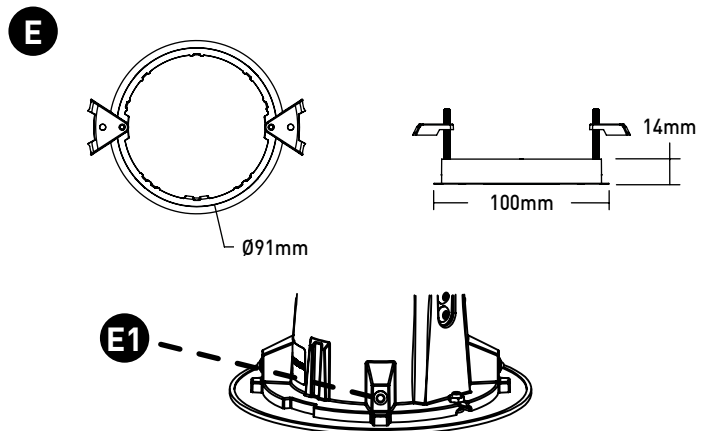
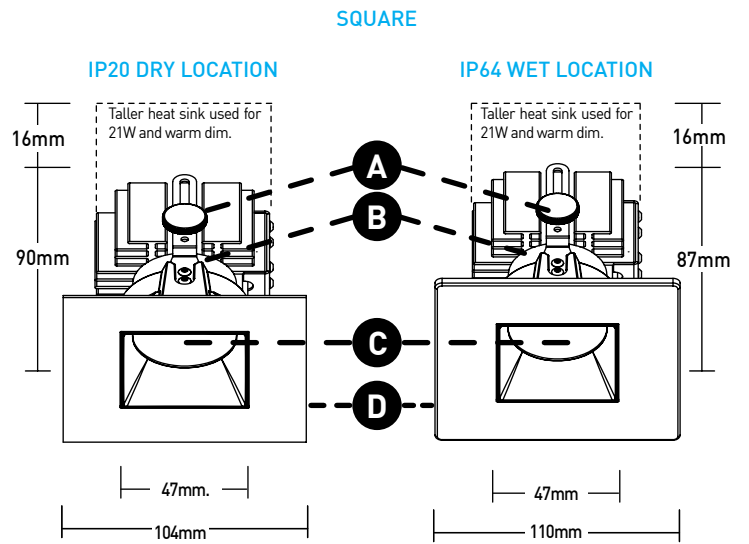
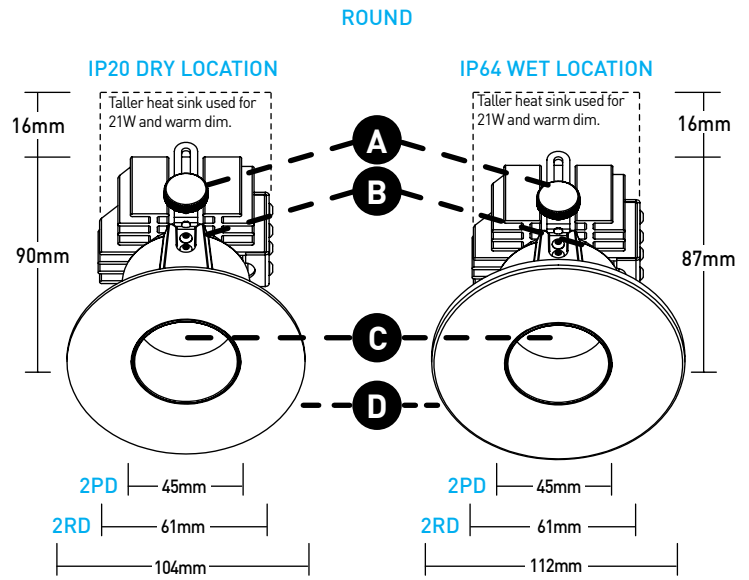
2 SERIES LED INT DEEP REGRESS

DOWNLIGHT FITTING

Die-cast deep baffle minimizes aperture glare and conceals view into housing; black finish standard.

- A** **ADJUSTABLE YOKE**
Adjustable yoke allows for quick exchange of optics and media. Accommodates up to 2 media; add 4.1mm to fitting height with use of each media.
- B** **OPTICS**
Robust light engine with optimized optic pairing integrates Reflection, Refraction, and TIR offering 10°, 15°, 20°, 25°, 40° & 60° beams. Soft Focus Lens, Honeycomb Louver, and Field Reducer provided with 10° optic.
- C** **MEDIA**
Soft Focus Lens standard; media must be specified. Lens is sealed in place on Wet location fitting. Secondary media available.
- D** **FITTING PLATE**
IP64 Wet location features integral silicone gasket.
 - IP20 Dry / Damp Location: Thickness measures 1.7mm
 - IP64 Wet Location: 3.8mm return, installed as flange overlay only.
- E** **DOWNLIGHT FITTING ADAPTER**
Included with fitting and required for installation. Uses (2) #6-32 flat-head screws with varying lengths to accommodate ceiling depth. Installed after ceiling is complete. Requires 92mm diameter cutout for flange overlay applications.
- E1** **RETENTION**
Engineered integral ball plungers correspond to fitting adapter ensuring snug fit against finished ceiling.

DIMENSIONS / DRAWINGS



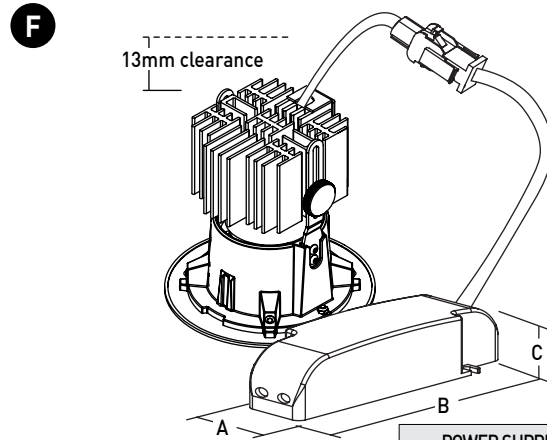
2 SERIES LED INT DEEP REGRESS

POWER SUPPLY

F FITTING WITH TETHERED POWER SUPPLY

- Requires 113mm diameter cutout.
- Tethered power supply protected wiring and quick-connect plug between fitting and power supply.
- Minimum 13mm clearance from top of fitting.
- Minimum setback from combustible and non-combustible materials of 168mm radius from fitting centerline; minimum 76mm from surfaces of power supply if not situated within above noted radius from fitting centerline.
- Minimum additional 76mm setback from insulation material with max R-Value 30 from any surface of fitting assembly.
- Minimum additional 152mm setback from polycell spray foam insulation with max R-Value 60 from any surface of fitting assembly.
- Consult factory for spacing requirements for any installations exceeding R-Value 60.
- Do not install in environments where ambient temperatures exceed 40°C (104°F).

DIMENSIONS / DRAWINGS



POWER SUPPLY DIMENSIONS			
Model	A	B	C
TR2	85mm	176mm	51mm
AN3	41mm	210mm	34mm
LN1			
EA1			
LA1			
ED1	76mm	152mm	31mm
LD1			

ZERO-SIGHTLINE INSTALLATIONS

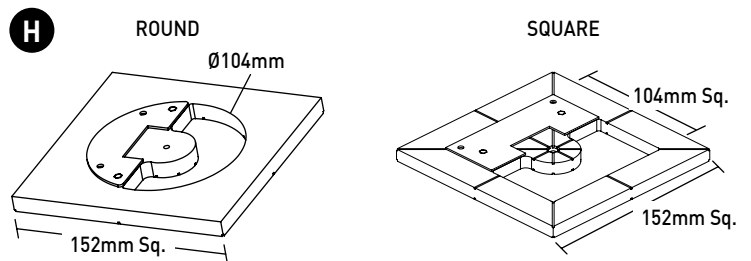
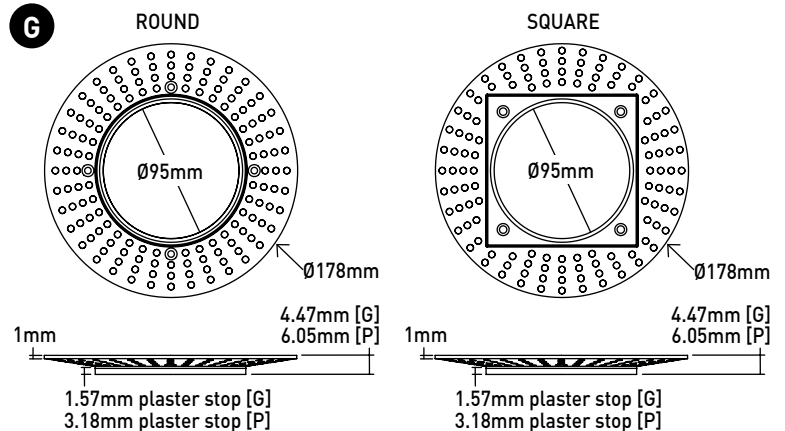
Fixture regresses flush with the finished ceiling plane when installed according to manufacturer instructions and finished ceiling conditions are met. Consult 2-Series Installation Guidelines for appropriate ceiling cutouts and instructions for proper Zero-Sightline installations.

G APPLIQUÉ

- Specified on Flange Configuration and ships with housing; ships separately on remodel installations.
- For use in sheetrock ceiling applications.
 - 1.57mm Appliqué [G Flange Configuration] recommended for gypsum ceiling installations and has plaster stop thickness of 1.57mm.
 - Recommended for painted ceiling applications.
 - 3.18mm Appliqué [P Flange Configuration] offers double thick plaster stop of 3.18mm where a heavier application of mud is preferred. Recommended for colorfast and venetian plaster applications.
- Not recommended for stucco applications.

H ROUTER TOOL GUIDE

- Specified separately and used with Flange Overlay configurations.
- For use in wood ceiling applications.
- **DLA-RTG-2S-RD** or **DLA-RTG-2S-SQ** required for wood Zero-Sightline ceiling installations.
- Router tool guide is reusable and suitable for multiple fixtures, minimum one per installer required.



2 SERIES LED INT DEEP REGRESS

TECHNICAL INFORMATION

CONSTRUCTION

Downlight Fitting: Steel and aluminum; extruded aluminum heat-sink; painted finishes are granulated powder coat. 304 corrosion resistant stainless steel faceplate for wet location fittings.

Downlight Fitting Adapter: High-impact composite and stainless steel.

Appliqué: Zinc alloy.

LED

2-step MacAdam ellipse LED module available in 80+, 90+ and 97+ CRI configurations in color temperatures of 2700K, 3000K, 3500K and 4000K. 3-step MacAdam ellipse LED module available in 90+ CRI configuration in color temperatures of 2400K. Average rated lamp life of 50,000 hours. LED and driver assemblies are field-replaceable.

WARM DIM LED

3-step MacAdam ellipse warm dim LED module available in 90+ CRI configuration. 3000K or 2700K at full brightness, warming to 1800K at full dim. Average rated lamp life of 50,000 hours. LED and driver assemblies are field-replaceable.

TUNABLE WHITE LED

3-step MacAdam ellipse tunable white LED module available in 90+ CRI configuration. Features tuning range of 2700K to 5000K and 1800K to 4000K. Average rated lamp life of 50,000 hours. Driver assemblies are field-replaceable.

POWER SUPPLY PERFORMANCE AND DIMMING INFORMATION

Power Supply	PHASE		0-10V				DALI-2		
	TR2	EA1	LA1	AN3	LN1	ED1	LD1	DD1	
Minimum °C	-20 °C	-20 °C	-20 °C	-20 °C	-20 °C	-20 °C	-20 °C	-20 °C	
Maximum °C	40 °C	40 °C	40 °C	40 °C	40 °C	40 °C	40 °C	40 °C	
Dimming %	2.0%	0.1%	0.1%	1.0%	1.0%	0.1%	0.1%	0.1%	

Note: For EA1 and LA1 drivers consult chart on page 7 to confirm appropriate dimming curve for compatibility with selected control.

LISTING

CE Listed for IP20 Dry / Damp and IP64 Wet locations. NOM Certified.

DECLARE

LBC Red List Approved.

PART L

Part L compliant for all 75+ LPW residential and 95+ LPW commercial configurations.

WEIGHT

Fitting - 1.4 lbs max

Driver - 0.4 lbs

LIMITED WARRANTY

Manufacturer's Limited Warranty guarantees product(s) listed to be free from defects in material and workmanship under normal use and service for 1-year. LED and power supplies are warranted to operate with 70% of original flux and remain within a range of 3 duv for a period of 5-years.

10-year Lutron Advantage limited warranty available on Lutron equipped systems. Warranty period begins from the date of shipment by Seller.

[Consult website for full warranty terms and conditions.](#)

CHANGE LOG

- 01/12/2021: ADDED 2200K, 2700K-1800K WARM DIM AND 10 DEGREE OPTIC OFFERINGS.
- 10/08/2019: NEW CONSOLIDATED SPEC SHEETS WITH SINGLE NOMENCLATURE FOR SPECIFICATION.
- 10/17/2022: REMOVED 90WA13H 3200K-1800K WARM DIM AND ADDED 90WA12H 3000K-1800K WARM DIM.
- 08/08/2023: UPDATED WITH NEW LED AND OPTIC SYSTEM.
- 02/07/2024: ADDED 2400K, LOW WATTAGE, AND TUNABLE WHITE OFFERINGS.
- 2/15/2024: PART L COMPLIANCE ADDED
- 3/15/2024: ADDED 10 DEGREE FIELD REDUCER, UPDATED 10 DEGREE PERFORMANCE DATA
- 2/14/2025: UPDATED FINISH OFFERINGS
- 05/01/2025: UPDATED WARM DIM OFFERINGS AND PERFORMANCE



2 SERIES LED INT DEEP REGRESS

DIMMING COMPATIBILITY

eldoLED DRIVER COMPATIBILITY

Power supply EA1 / LA1 Dimmer / Switch Control Manufacturer	Family/Model #
Busch-Jaeger	2112U-101
Jung	240-10
Leviton Lighting Controls	IP710-DLX
Lightolier Controls	ZP600FAM120
Lutron Electronics	Nova T® - NTFTV
Lutron Electronics	Diva® - DVTV
Lutron Electronics	Nova® - NFTV
Merten	5729
Pass & Seymour	CD4FB-W
The Watt Stopper	DCLV1
Sensor Switch	nI0 EZ
Synergy	ISD BC
Power supply EA1 / LA1 Lighting Control Systems	Family/Model #
Lutron Electronics	GrafixEye® GRX-TVI w GRX3503
Lutron Electronics	Energy Savr Node™ - QSN-4T16-S
Lutron Electronics	TVM2 Module
Crestron®	GLX-DIMFLV8
Crestron®	GLXP-DIMFLV8
Crestron®	GLPAC-DIMFLV4-*
Crestron®	GLPAC-DIMFLV8-*
Crestron®	GLPP-DIMFLVEX-PM
Crestron®	GLPP-1DIMFLV2EX-PM
Crestron®	GLPP-1DIMFLV3EX-PM
Crestron®	DIN-A08
Crestron®	DIN-4DIMFLV4
Crestron®	CLS-EXP-DIMFLV
Crestron®	CLCI-1DIMFLV2EX
ABB	SD/S 2.16.1