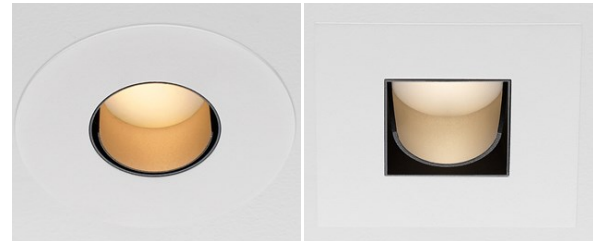


# 2 SERIES LED INT

## WALL GRAZER

High-output, low profile, and infinite adjustment -- these small aperture downlights make elegant design statements in discerning residential, retail, and hospitality environments.

PROJECT NAME:	TYPE:
---------------	-------



### ORDERING INFORMATION

TRIM	RATING	FLANGE FINISH	CRI	WATTAGE	CCT	OPTIC	INSTALL TYPE	CEILING THICKNESS	POWER SUPPLY	MEDIA	FLANGE CONFIGURATION
2PG Round Pinhole Wallgrazer 2SG Square Expanded Wallgrazer	1 IP20 Dry/Damp 2 IP64 Wet*	WH White AG Satin Silver IG Industrial Gray AU Cashmere Gold AB Arch Bronze BB Burnt Bronze BK Black PR Primer SS Stainless Steel* CF Custom*	80S 80+ 90S 90+ 97S 97+	LOW FLUX/ HIGH FLUX STATIC WHITE 06A 06W Lm - 2PG 285, 2SG 335 11A 11W Lm - 2PG 462, 2SG 541 15A 15W Lm - 2PG 624, 2SG 738 HIGH FLUX STATIC WHITE 6.5" TALL HOUSING 21A 21W Lm - 2PG 862, 2SG 997 WARM DIM 90L 90+ 11A 11W 15A 15W 22A 22W Incandescent Profile 11A Lm - 2PG 346, 2SG 428 15A Lm - 2PG 461, 2SG 571 22A Lm - 2PG 599, 2SG 742 Halogen Profile 11A Lm - 2PG 364, 2SG 451 15A Lm - 2PG 485, 2SG 601 22A Lm - 2PG 630 2SG 781 *SEE PAGE 4 FOR DETAILED WARM DIM PROFILE COMPARISON. TUNABLE WHITE 90T 90+ 17A 17W Warm Profile Lm - 2PG 386, 2SG 406 Cool Profile Lm - 2PG 369, 2SG 406 *ALL DELIVERED LUMEN OUTPUTS REFLECT 90CRI, 3000K.	24 2400K* *190 CRI only, 15W max) 27 2700K 30 3000K 35 3500K 40 4000K WL 2700K - 1800K WD 3000K - 1800K TR 4000K - 1800K TH 5000K - 2700K	WG Wall Grazer Optic	EX Export,	0 3mm-13mm 1 13mm-20mm 2 20mm-32mm 3 32mm-51mm 4 51mm-76mm	(120-277V) TR2 Philips, 2% Forward/Reverse* *120V, for Mexico only) AN3 eldoLED, ECOdrive 1.0% 0-10V, LOG LN1 eldoLED, ECOdrive 1.0% 0-10V, LIN EA1 eldoLED, SOLOdrive 0.1% 0-10V, LOG LA1 eldoLED, SOLOdrive 0.1% 0-10V, LIN ED1 eldoLED, SOLOdrive 0.1% DALI-2, LOG LD1 eldoLED, SOLOdrive 0.1% DALI-2, LIN NOD Driver Supplied by Others TUNABLE WHITE REMOTE (0.1%, 120-277V) DD1 eldoLED, DJALdrive DALI-2, LOG	GL Wall Grazer Lens	F Flange Overlay (No Applique)* *Required for Zero-Sightline wood applications) G Zero Sightline Gypsum (1.57mm Applique)* *Not available for wet location) P Zero Sightline Plaster (3.18mm Applique)* *Not available for wet location)

FINISH IMAGES ON PAGE 2

\*Increased lead time)  
\*Consult Factory)

### PART NUMBER NOTES

- Fittings ships as e.g. 2SG1-WH-80S15A2-GEX1-AN3GL
- Driver ships with fitting
- Appliqué ships with fitting



# 2 SERIES LED INT WALL GRAZER

## ACCESSORIES

### REPLACEMENT OPTIC

Interchangeable optics accessible through fitting aperture.

□ **RO-50-WG-2** Wall Grazer Optic

### ROUTER TOOL GUIDE (IP10 Dry / Damp locations only)

Recommended for Zero-Sightline installations in wood ceilings.

□ **DLA-RTG-2S-RD** Tool, [router guide](#), round; reusable

□ **DLA-RTG-2S-SQ** Tool, [router guide](#), square; reusable

## FINISHES BY LUCIFER LIGHTING



## DRIVE CURRENT SPECIFICS

	80S				90S				97S				90L			90T
	06A	11A	15A	21A	06A	11A	15A	21A	06A	11A	15A	21A	11A	15A	22A	17A
Minimum Vf	30.5	30.5	30.5	30.5	30.5	30.5	30.5	30.5	30.5	30.5	30.5	30.5	30.5	30.5	30.5	30.5
Maximum Vf	36.2	36.2	36.2	36.2	36.2	36.2	36.2	36.2	36.2	36.2	36.2	36.2	37	37	37	37.6
Current mA	150	250	350	500	150	250	350	500	150	250	350	500	250	350	500	400
Wattage W	5.1	8.2	11.8	17.4	5.1	8.2	11.8	17.4	5.1	8.2	11.8	17.4	8.2	11.8	17.4	17.4

	10 DEGREE OPTIC		
	80S15C	90S15C	97S15C
Minimum Vf	30.5	30.5	30.5
Maximum Vf	36.2	36.2	36.2
Current mA	350	350	350
Wattage W	11.8	11.8	11.8

# 2 SERIES LED INT WALL GRAZER

## WALL GRAZER DESIGN GUIDE

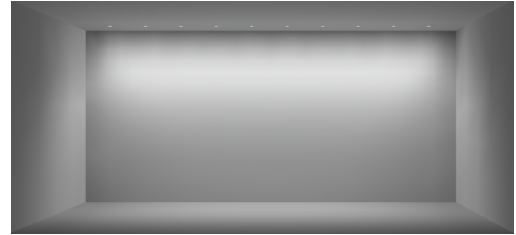
### ROUND



#### RECOMMENDED 18" SETBACK / 24" ON CENTER SPACING

- AVERAGE FC: 11.42
- MIN / MAX: 3.10
- 10FT CEILING SHOWN / 8-12FT IDEAL
- 10 FIXTURES / 22FT WALL SHOWN

### SQUARE



#### RECOMMENDED 18" SETBACK / 24" ON CENTER SPACING

- AVERAGE FC: 14.48
- MIN / MAX: 5.06
- 10FT CEILING SHOWN / 8-12FT IDEAL
- 10 FIXTURES / 22FT WALL SHOWN

### ADDITIONAL SPACINGS AND SETBACKS

ROUND		
ON CENTER SPACING	SETBACK	
	16"	18"
22"	AVERAGE FC: 13.15 MIN / MAX: 3.03	AVERAGE FC: 12.48 MIN / MAX: 2.83
24"	AVERAGE FC: 11.99 MIN / MAX: 3.12	SHOWN ABOVE
26"	AVERAGE FC: 10.92 MIN / MAX: 4.97	AVERAGE FC: 10.37 MIN / MAX: 4.70
28"	AVERAGE FC: 10.24 MIN / MAX: 5.26	AVERAGE FC: 9.76 MIN / MAX: 4.86

SQUARE		
ON CENTER SPACING	SETBACK	
	16"	18"
22"	AVERAGE FC: 16.97 MIN / MAX: 4.60	AVERAGE FC: 16.14 MIN / MAX: 5.03
24"	AVERAGE FC: 15.08 MIN / MAX: 4.87	SHOWN ABOVE
26"	AVERAGE FC: 14.15 MIN / MAX: 4.91	AVERAGE FC: 13.48 MIN / MAX: 5.34
28"	AVERAGE FC: 13.05 MIN / MAX: 4.73	AVERAGE FC: 12.55 MIN / MAX: 5.00

**\*ALL DATA REFLECTS 90S15A WATTAGE PACKAGE**

# 2 SERIES LED INT WALL GRAZER

## STATIC WHITE PERFORMANCE - 3000K

CRI / WATTAGE PACKAGE	WATTAGE	WALL GRAZER			
		2PG		2SG	
		DELIVERED	LPW	DELIVERED	LPW
80S06A	6	331	55	389	65
80S11A	11	536	49	628	57
80S15A	15	724	48	856	57
80S21A	21	1000	48	1156	55
90S06A	6	285	49	335	58
90S11A	11	462	46	541	54
90S15A	15	624	44	738	51
90S21A	21	862	41	997	47
97S06A	6	251	42	295	49
97S11A	11	406	37	494	38
97S15A	15	549	37	649	43
97S21A	21	758	36	877	42
90L11AWL (2700K-1800K)	11	346	31	428	39
90L11AWD (3000K-1800K)	11	364	33	451	41
90L15AWL (2700K-1800K)	15	461	31	571	38
90L15AWD (3000K-1800K)	15	485	32	601	40
90L22AWL (2700K-1800K)	22	599	27	742	34
90L22AWD (3000K-1800K)	22	630	29	781	36
90T17ATR (4000K-1800K)	17	753	45	833	49
90T17ATH (5000K-2700K)	17	746	44	825	49

### OUTPUT MULTIPLIER

CCT	CCT SCALE
2400K	0.76
2700K	0.97
3000K	1.000
3500K	1.03
4000K	1.08

### TUNABLE WHITE MULTIPLIER

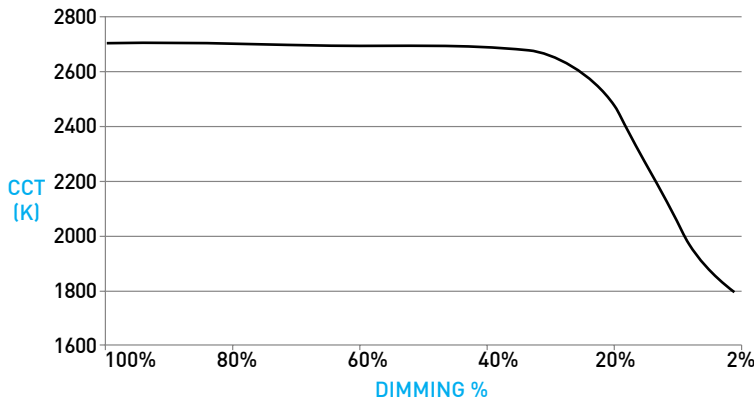
CCT	5000K-2700K	4000K-1800K
5000K	1.16	-
4000K	1.08	1.14
3500K	1.04	1.07
3000K	1.00	1.00
2700K	0.96	0.92
2400K	-	0.84
1800K	-	0.69

**Part L** 75+ LPW configurations comply with residential Part L  
95+ LPW configurations comply with commercial Part L

## WARM DIM PERFORMANCE - 2PG

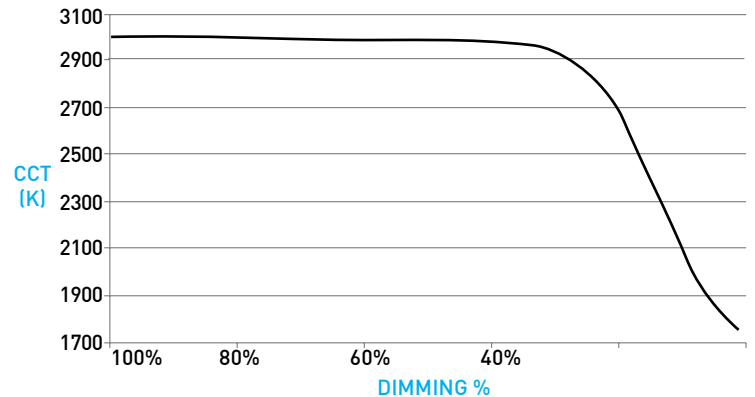
### INCANDESCENT PROFILE

90L11AWL 2700K - 1800K	Full on 100%	Dimmed to 80%	Dimmed to 70%	Dimmed to 50%	Dimmed to 20%	Dimmed to 10%	Dimmed to 2%
CCT (K)	2700K	2700K	2700K	2600K	2200K	1900K	1800K
Light Output (Lm)	346	277	242	173	69	35	7
Power (W)	11	8.8	7.7	5.5	2.2	1.1	.2
Efficacy (LPW)	31	31	31	31	31	31	31
90L15AWL 2700K - 1800K	Full on 100%	Dimmed to 80%	Dimmed to 70%	Dimmed to 50%	Dimmed to 20%	Dimmed to 10%	Dimmed to 2%
CCT (K)	2700K	2700K	2700K	2700K	2500K	1900K	1800K
Light Output (Lm)	461	369	323	231	92	46	9
Power (W)	15	12	10.5	7.5	3	1.5	.3
Efficacy (LPW)	31	31	31	31	31	31	31
90L22AWL 2700K - 1800K	Full on 100%	Dimmed to 80%	Dimmed to 70%	Dimmed to 50%	Dimmed to 20%	Dimmed to 10%	Dimmed to 2%
CCT (K)	2700K	2700K	2700K	2700K	2600K	2100K	1800K
Light Output (Lm)	599	479	419	300	120	60	12
Power (W)	22	17.6	15.4	11	4.4	2.2	.4
Efficacy (LPW)	27	27	27	27	27	27	27



### HALOGEN PROFILE

90L11AWD 3000K - 1800K	Full on 100%	Dimmed to 80%	Dimmed to 70%	Dimmed to 50%	Dimmed to 20%	Dimmed to 10%	Dimmed to 2%
CCT (K)	3000K	3000K	3000K	3000K	2500K	1900K	1800K
Light Output (Lm)	364	291	255	182	73	36	7
Power (W)	11	8.8	7.7	5.5	2.2	1.1	.2
Efficacy (LPW)	33	33	33	33	33	33	33
90L15AWD 3000K - 1800K	Full on 100%	Dimmed to 80%	Dimmed to 70%	Dimmed to 50%	Dimmed to 20%	Dimmed to 10%	Dimmed to 2%
CCT (K)	3000K	3000K	3000K	3000K	3000K	2000K	1800K
Light Output (Lm)	485	388	340	243	97	49	10
Power (W)	15	12	10.5	7.5	3	1.5	.3
Efficacy (LPW)	32	32	32	32	32	32	32
90L22AWD 3000K - 1800K	Full on 100%	Dimmed to 80%	Dimmed to 70%	Dimmed to 50%	Dimmed to 20%	Dimmed to 10%	Dimmed to 2%
CCT (K)	3000K	3000K	3000K	3000K	3000K	2500K	1800K
Light Output (Lm)	630	504	442	315	125	62	12
Power (W)	22	17.6	15.4	11	4.4	2.2	.4
Efficacy (LPW)	29	29	29	29	29	29	29



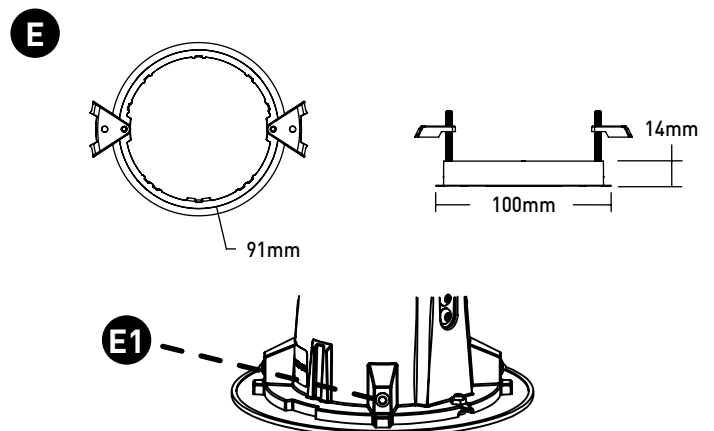
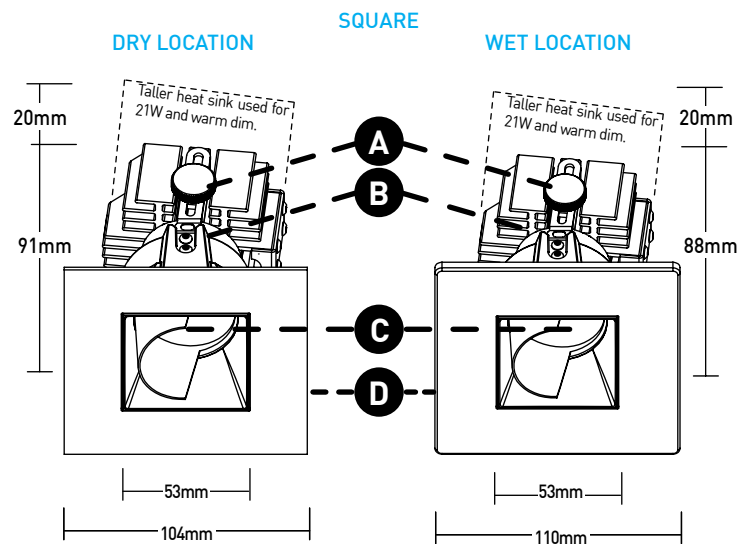
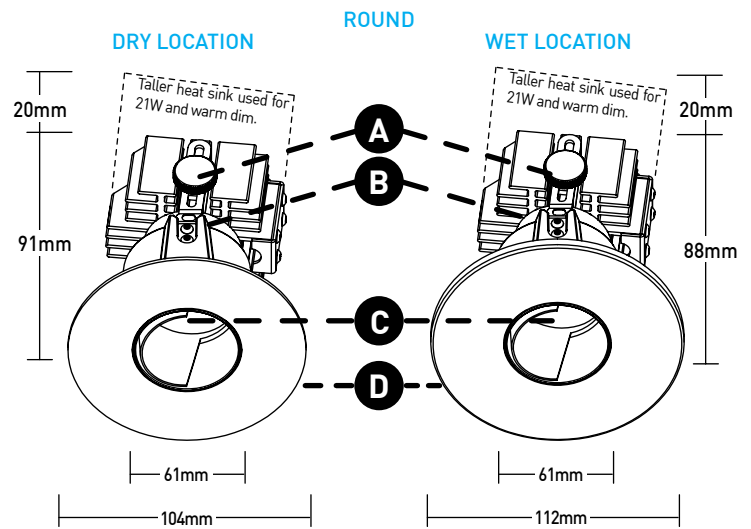
# 2 SERIES LED INT WALL GRAZER

## DOWNLIGHT FITTING

Die-cast baffle and precision kick reflector provide dynamic wall grazing and minimal aperture glare.

- A** **ADJUSTABLE YOKE**  
Adjustable yoke allows for quick access to optic and media.
- B** **OPTICS**  
Robust light engine with optimized optic pairing integrates Reflection, Refraction, and TIR offering a 40° wallgrazing beam.
- C** **MEDIA**  
Wall grazer lens included and sealed in place on wet location fixtures
- D** **TRIM PLATE**
  - Dry / Damp Location: Thickness measures 0.065".
  - Wet Location: Sealed aperture and integral silicone gasket. 0.17" (4.3mm) return, installed as flange overlay only.
- E** **DOWNLIGHT TRIM ADAPTER**  
Included with fixture and required for installation. Provides required alignment with trim, ensuring fixture aim integrity is maintained Uses (2) #6-32 flat-head screws with varying lengths to accommodate ceiling depth. Installed after ceiling is complete.
- E1** **RETENTION**  
Integral ball plungers correspond to trim adapter ensuring snug fit against finished ceiling.

## DIMENSIONS / DRAWINGS



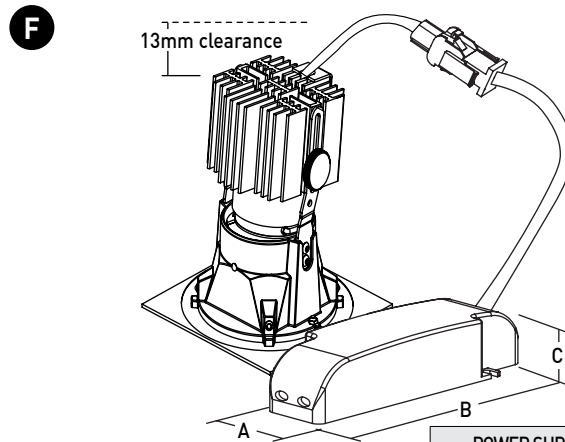
# 2 SERIES LED INT WALL GRAZER

## POWER SUPPLY

### F FITTING WITH TETHERED POWER SUPPLY

- Requires 113mm diameter cutout.
- Tethered power supply protected wiring and quick-connect plug between fitting and power supply.
- Minimum 13mm clearance from top of fitting.
- Minimum setback from combustible and non-combustible materials of 168mm radius from fitting centerline; minimum 76mm from surfaces of power supply if not situated within above noted radius from fitting centerline.
- Minimum additional 76mm setback from insulation material with max R-Value 30 from any surface of fitting assembly.
- Minimum additional 152mm setback from polycell spray foam insulation with max R-Value 60 from any surface of fitting assembly.
- Consult factory for spacing requirements for any installations exceeding R-Value 60.
- Do not install in environments where ambient temperatures exceed 40°C (104°F).

## DIMENSIONS / DRAWINGS



POWER SUPPLY DIMENSIONS			
Model	A	B	C
TR2	85mm	176mm	51mm
AN3	41mm	210mm	34mm
LN1			
EA1			
LA1			
ED1	76mm	152mm	31mm
LD1			

## ZERO-SIGHTLINE INSTALLATIONS

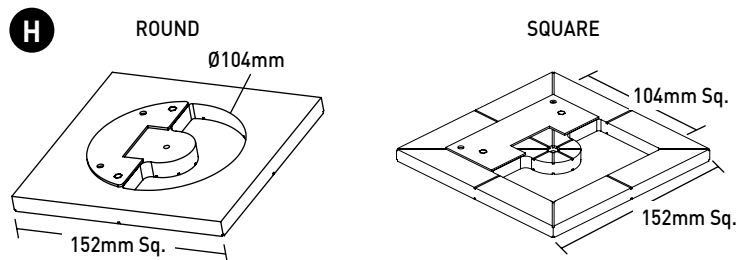
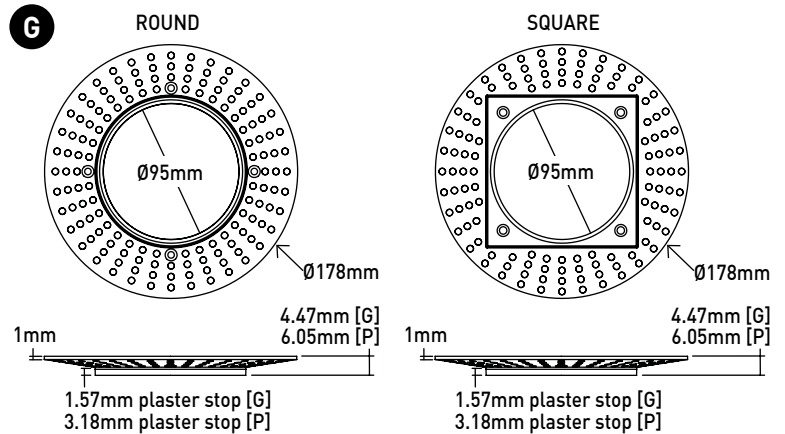
Fixture regresses flush with the finished ceiling plane when installed according to manufacturer instructions and finished ceiling conditions are met. Consult 2-Series Installation Guidelines for appropriate ceiling cutouts and instructions for proper Zero-Sightline installations.

### G APPLIQUÉ

- Specified on Flange Configuration and ships with housing; ships separately on remodel installations.
  - For use in sheetrock ceiling applications.
  - 1.57mm Appliqué (G Flange Configuration) recommended for gypsum ceiling installations and has plaster stop thickness of 1.57mm. Recommended for painted ceiling applications.
  - 3.18mm Appliqué (P Flange Configuration) offers double thick plaster stop of 3.18mm where a heavier application of mud is preferred. Recommended for colorfast and venetian plaster applications. Not recommended for stucco applications.

### H ROUTER TOOL GUIDE

- Specified separately and used with Flange Overlay configurations.
- For use in wood ceiling applications.
- **DLA-RTG-2S-RD** or **DLA-RTG-2S-SQ** required for wood Zero-Sightline ceiling installations.
- Router tool guide is reusable and suitable for multiple fixtures, minimum one per installer required.



# 2 SERIES LED INT WALL GRAZER

## TECHNICAL INFORMATION

### CONSTRUCTION

**Downlight Fitting:** Steel and aluminum; extruded aluminum heat-sink; painted finishes are granulated powder coat. 304 corrosion resistant stainless steel faceplate for wet location fittings.

**Downlight Fitting Adapter:** High-impact composite and stainless steel.

**Appliqué:** Zinc alloy.

### LED

2-step MacAdam ellipse LED module available in 80+, 90+ and 97+ CRI configurations in color temperatures of 2700K, 3000K, 3500K and 4000K. 3-step MacAdam ellipse LED module available in 90+ CRI configuration in color temperatures of 2400K. Average rated lamp life of 50,000 hours. LED and driver assemblies are field-replaceable.

### WARM DIM LED

3-step MacAdam ellipse warm dim LED module available in 90+ CRI configuration. 3000K or 2700K at full brightness, warming to 1800K at full dim. Average rated lamp life of 50,000 hours. LED and driver assemblies are field-replaceable.

### TUNABLE WHITE LED

3-step MacAdam ellipse tunable white LED module available in 90+ CRI configuration. Features tuning range of 2700K to 5000K and 1800K to 4000K. Average rated lamp life of 50,000 hours. Driver assemblies are field-replaceable.

### POWER SUPPLY PERFORMANCE AND DIMMING INFORMATION

Power Supply	PHASE	0-10V				DALI-2		
	TR2	EA1	LA1	AN3	LN1	ED1	LD1	DD1
Minimum °C	-20 °C	-20 °C	-20 °C	-20 °C	-20 °C	-20 °C	-20 °C	-20 °C
Maximum °C	40 °C	40 °C	40 °C	40 °C	40 °C	40 °C	40 °C	40 °C
Dimming %	2.0%	0.1%	0.1%	1.0%	1.0%	0.1%	0.1%	0.1%

Note: For EA1 and LA1 drivers consult chart on page 8 to confirm appropriate dimming curve for compatibility with selected control.

### SPACING

Recommended fitting spacing is 22" to 28" on center with 16" to 18" setback from wall plane.

### LISTING

CE Listed for IP20 Dry / Damp and IP64 Wet locations. NOM Certified.

### DECLARE

LBC Red List Approved.

### PART L

Part L compliant for all 75+ LPW residential and 95+ LPW commercial configurations.

### FIXTURE WEIGHT

Fitting - 1.4 lbs max

Driver - 0.4 lbs

### LIMITED WARRANTY

Manufacturer's Limited Warranty guarantees product(s) listed to be free from defects in material and workmanship under normal use and service for 1-year. LED and power supplies are warranted to operate with 70% of original flux and remain within a range of 3 duv for a period of 5-years. 10-year Lutron Advantage limited warranty available on Lutron equipped systems. Warranty period begins from the date of shipment by Seller. [Consult website for full warranty terms and conditions.](#)

### CHANGE LOG

- 01/12/2021: ADDED 2200K AND 2700K-1800K WARM DIM OFFERINGS.
- 08/12/2020: ADDED -3 (20mm-32mm) CEILING THICKNESS.
- 10/08/2019: NEW CONSOLIDATED SPEC SHEETS WITH SINGLE NOMENCLATURE FOR SPECIFICATION.
- 10/17/2022: REMOVED 90WA13H 3200K-1800K WARM DIM AND ADDED 90WA12H 3000K-1800K WARM DIM.
- 08/08/2023: UPDATED WITH NEW LED AND OPTIC SYSTEM.
- 02/07/2024: ADDED 2400K, LOW WATTAGE, AND TUNABLE WHITE OFFERINGS.
- 2/15/2024: PART L COMPLIANCE ADDED
- 2/14/2025: UPDATED FINISH OFFERINGS
- 05/01/2025: UPDATED WARM DIM OFFERINGS AND PERFORMANCE



# 2 SERIES LED INT WALL GRAZER

## DIMMING COMPATIBILITY

### eldoLED DRIVER COMPATIBILITY

Power supply EA1 / LA1 Dimmer / Switch Control Manufacturer	Family/Model #
Busch-Jaeger	2112U-101
Jung	240-10
Leviton Lighting Controls	IP710-DLX
Lightolier Controls	ZP600FAM120
Lutron Electronics	Nova T® - NTFTV
Lutron Electronics	Diva® - DVTV
Lutron Electronics	Nova® - NFTV
Merten	5729
Pass & Seymour	CD4FB-W
The Watt Stopper	DCLV1
Sensor Switch	nI0 EZ
Synergy	ISD BC
Power supply EA1 / LA1 Lighting Control Systems	Family/Model #
Lutron Electronics	GrafixEye® GRX-TVI w GRX3503
Lutron Electronics	Energy Savr Node™ - QSN-4T16-S
Lutron Electronics	TVM2 Module
Crestron®	GLX-DIMFLV8
Crestron®	GLXP-DIMFLV8
Crestron®	GLPAC-DIMFLV4-*
Crestron®	GLPAC-DIMFLV8-*
Crestron®	GLPP-DIMFLVEX-PM
Crestron®	GLPP-1DIMFLV2EX-PM
Crestron®	GLPP-1DIMFLV3EX-PM
Crestron®	DIN-A08
Crestron®	DIN-4DIMFLV4
Crestron®	CLS-EXP-DIMFLV
Crestron®	CLCI-1DIMFLV2EX
ABB	SD/S 2.16.1