

RECESSED PENDANT

Organic shape and minimalist form conceals the mechanics of this high-performance luminaire, offering both volumetric and directional lighting with two light sources and infinite control options of multi-layered illumination.

PROJECT NAME:	TYPE:
---------------	-------



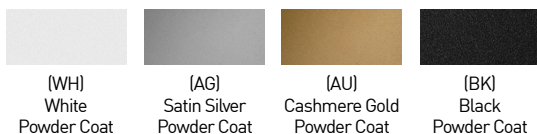
ORDERING INFORMATION



JA8-2019 INDICATED BY SHADING

SERIES	CANOPY TYPE	BODY COLOR	CANOPY COLOR	CABLE COLOR	DOWNLIGHT LUMEN PACKAGE	WAVEGUIDE LUMEN PACKAGE	OPTIC	EFFECTS DEVICE	DRIVER	INSTALL TYPE	
S2											
S2 STELLR Medium 10.2"	FLANGE OVERLAY F096 8' Cable F192 16' Cable	WH White	WH White	W White Power Cable	STATIC WHITE 8027 80+ CRI, 2700K Dlvd. Lumens - 1615 8030 80+ CRI, 3000K Dlvd. Lumens - 1683 8035 80+ CRI, 3500K Dlvd. Lumens - 1706 8040 80+ CRI, 4000K Dlvd. Lumens - 1708 9027 90+ CRI, 2700K Dlvd. Lumens - 1380 9030 90+ CRI, 3000K Dlvd. Lumens - 1438 9035 90+ CRI, 3500K Dlvd. Lumens - 1458 9040 90+ CRI, 4000K Dlvd. Lumens - 1459 WARM DIM 90WD 90+ CRI, 3000K - 1800K Dlvd. Lumens - 1044* *(Not available with PH Driver) * DELIVERED LUMEN VALUES REFLECT USE OF THE 55 DEGREE OPTIC AND NO LENS	STATIC WHITE 8027 80+ CRI, 2700K Dlvd. Lumens - 728 8030 80+ CRI, 3000K Dlvd. Lumens - 794 8035 80+ CRI, 3500K Dlvd. Lumens - 794 8040 80+ CRI, 4000K Dlvd. Lumens - 825 9027 90+ CRI, 2700K Dlvd. Lumens - 656 9030 90+ CRI, 3000K Dlvd. Lumens - 715 9035 90+ CRI, 3500K Dlvd. Lumens - 715 9040 90+ CRI, 4000K Dlvd. Lumens - 744 WARM DIM 90WD 90+ CRI, 3000K - 1800K Dlvd. Lumens - 765* *(Not available with PH Driver)	15 15° 35 35° 55 55°	STANDARD EFFECTS DEVICE 0 No Lens OPTIONAL EFFECTS DEVICE 2 Honeycomb Louver 3 Clear Glass Lens 4 Soft Focus Lens	PH ELV/TRIAC, 1% 120V* *(Sources dim independently, requires independent line voltage) TR ELV/TRIAC, 2% 120V* *(Sources dim independently, requires independent line voltage) L2 Lutron, Hi-Lume 1% 2-wire* *(Sources dim independently, requires independent line voltage) LP Lutron, Hi-Lume Premier Ecosystem 0.1% Fade to Black, 120 or 277V* *(Sources dim independently, requires independent secondary wiring)	SG 0-10V Analog, 120 or 277V LOG* *(Sources dim independently, requires independent control lines) SN 0-10V Analog, 120 or 277V LIN* *(Sources dim independently, requires independent control lines) EG eldoLED, SOLOdrive 0.1% 0-10V, 120-277V, LOG* *(Sources dim together) EN eldoLED, SOLOdrive 0.1% 0-10V, 120-277V, LIN* *(Sources dim together) DD eldoLED, DUALdrive 0.1% DALI, 120-277V, LOG* *(Sources dim independently)	0.50" - 2.25" CEILING THICKNESS X IC, Airtight* *(Chicago Plenum, Airtight & Title 24 compliant housing) Y NIC R Remote / Remodel
		AG Satin Silver	AG Satin Silver	B Black Power Cable							
	AU Cashmere Gold	AU Cashmere Gold									
	BK Black	BK Black									
	CF Custom Finish* *(Consult Factory)	CF Custom Finish* *(Consult Factory)									

*FOR CABLE LENGTHS OVER 16' CONSULT FACTORY. ALL LENGTHS ARE FIELD-CUTTABLE.



PART NUMBER NOTES

- STELLR ships as e.g., S2F096-WHBKB-9MA28MA2-352-DD*X
- Remote driver(s) ship as e.g., PS-S2-RMT-9MAX8MAX-LP*
- Housing ships as e.g., NC-S2F-21

STELLR RECESSED PENDANT

ACCESSORIES

ALTERNATE EFFECTS DEVICES

- HCL-S2-01** Honeycomb Louver
- CGL-S2-01** Clear Glass Lens
- SFL-S2-01** Soft Focus Lens

REPLACEMENT OPTIC ASSEMBLIES

- RO-S2-15** 15° optic
- RO-S2-35** 35° optic
- RO-S2-55** 55° optic

EMERGENCY LIGHTING - REMOTE MOUNT ONLY

- EMB-S-20/25-120/277-LEDX** 20/25 watt max capacity, 120 or 277 VAC 60Hz, Non-Dimmable
 - EMB-S-100-120-LEDX** 100 watt max capacity, 120 VAC 60Hz, Dimmable
 - EMB-S-100-277-LEDX** 100 watt max capacity, 277 VAC 60Hz, Dimmable
 - EMB-S-250-120/277-LEDX** 250 watt max capacity, 120 or 277 VAC 60Hz, Dimmable
- During disruption of main power, emergency battery inverter provides temporary 120V or 277V to fixture.

T-GRID ACCESSORY

- DHA-TG-KIT** Allows housing to be raised or lowered to accommodate varying T-grid heights.

DOWNLIGHT PERFORMANCE - 3000K

LUMEN PACKAGE	WATTAGE	15° OPTIC / NO LENS		35° OPTIC / NO LENS		55° OPTIC / NO LENS		15° OPTIC / HCL		35° OPTIC / HCL		55° OPTIC / HCL	
		DELIVERED	LPW	DELIVERED	LPW	DELIVERED	LPW	DELIVERED	LPW	DELIVERED	LPW	DELIVERED	LPW
8030	17	1494	87	1600	93	1683	98	1210	70	1200	70	1212	71
9030	17	1277	74	1368	80	1438	84	1034	60	1026	60	1035	60
90WD	14	940	67	982	70	1044	74	750	53	733	52	817	58

STATIC WHITE OUTPUT MULTIPLIER	
CCT	CCT SCALE
2700K	0.960
3000K	1.000
3500K	1.014
4000K	1.015

LIGHT LOSS FACTOR MULTIPLIER	
No Lens	1.00
CGL	0.95
SFL	0.95
HCL	0.75

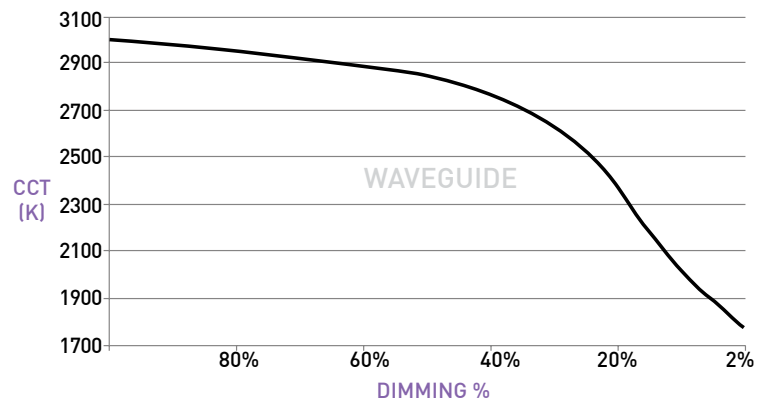
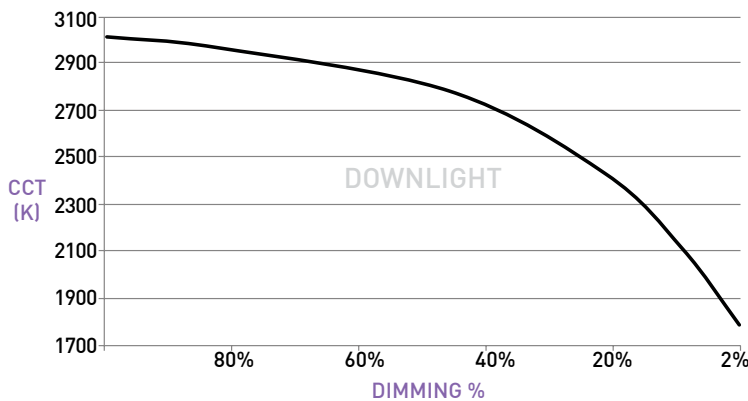
WAVEGUIDE PERFORMANCE

LUMEN PACKAGE	WATTAGE	2700K		3000K		3500K		4000K	
		DELIVERED	LPW	DELIVERED	LPW	DELIVERED	LPW	DELIVERED	LPW
80	14	728	53	794	58	794	58	825	64
90	14	656	48	715	52	715	52	744	54
90WD	14	-	-	765	54	-	-	-	-

WARM DIM PERFORMANCE

DOWNLIGHT - 55° OPTIC / NO LENS	Full on 100%	Dimmed to 80%	Dimmed to 70%	Dimmed to 50%	Dimmed to 20%	Dimmed to 10%	Dimmed to 2%
CCT (K)	3000	2950	2920	2775	2375	2000	1800
Light Output (Lm)	1044	835	730	522	208	104	20
Power (W)	14	11	10	7	3	1.4	0.3
Efficacy (LPW)	74	74	74	74	74	74	74

WAVEGUIDE	Full on 100%	Dimmed to 80%	Dimmed to 70%	Dimmed to 50%	Dimmed to 20%	Dimmed to 10%	Dimmed to 2%
CCT (K)	3000	2950	2920	2850	2375	2000	1800
Light Output (Lm)	765	612	535	382	153	76	15
Power (W)	14	13	12	9	3	1.7	0.3
Efficacy (LPW)	54	54	54	54	54	54	54



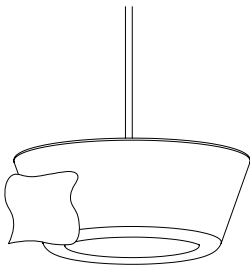
STELLR RECESSED PENDANT

FIXTURE / HOUSING

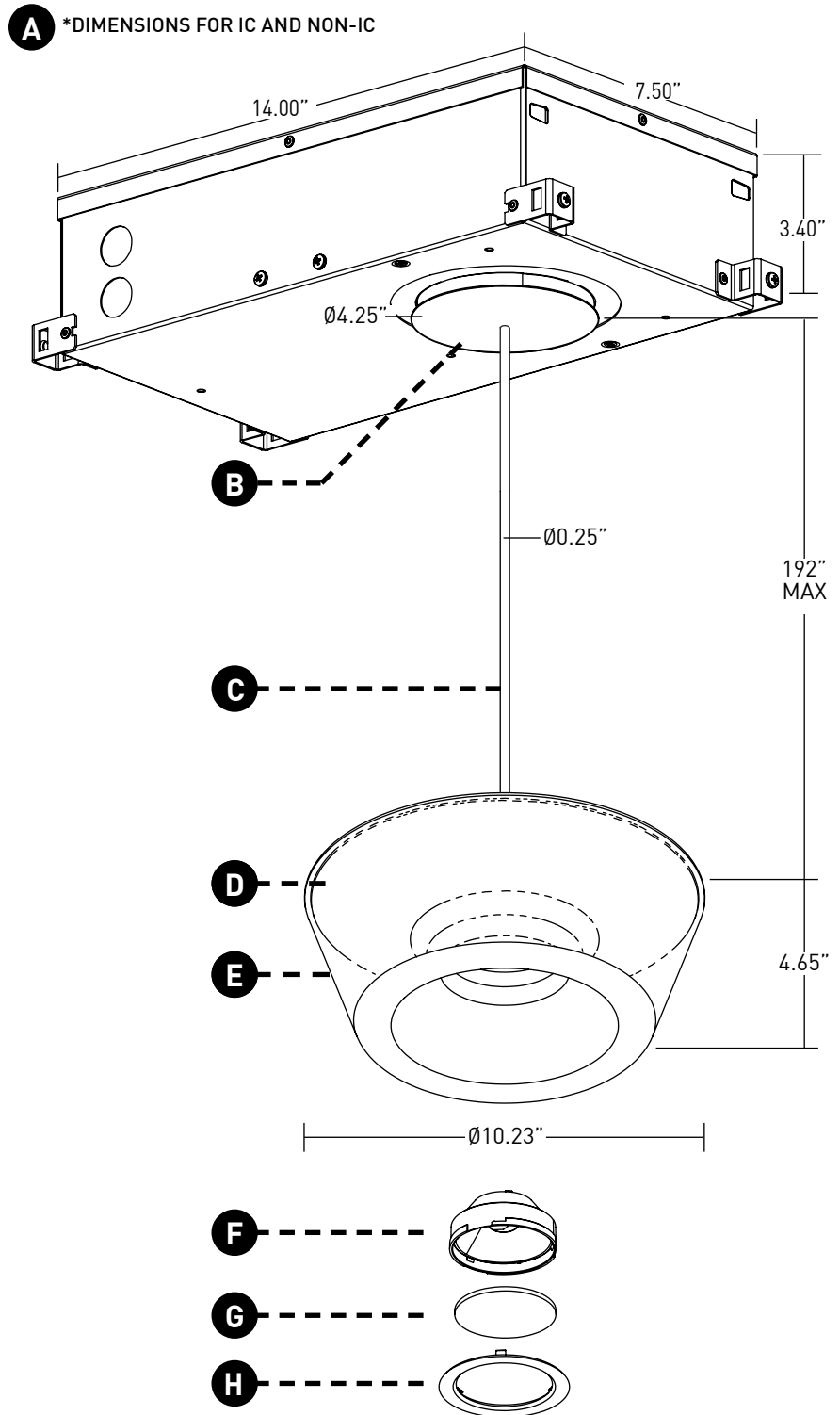
- A** **FIXTURE / HOUSING**
Body with integrated heat sink and LED assemblies. Power supplies may be integral or remote mount.
- B** **MAGNETIC TRIM PLATE (CANOPY)**
Conceals retaining mechanism. Rare Earth magnets secure canopy plate to retaining mechanism. Available in powdercoat finishes.
- C** **CABLE**
Available in lengths up to 192" maximum, cable is field cuttable, consult factory for lengths greater than 192". Available in black and white finishes.
- D** **BODY**
Available in powdercoat finishes.
- E** **WAVEGUIDE**
Transmits light creating illumination effect. Ships with protective cover installed.
- F** **OPTIC**
Field-changeable optics available in 15°, 35°, & 55° beams.
- G** **EFFECTS DEVICE**
Media is field-changeable.
- H** **LENS RETAINER**
Attaches to optic assembly and accommodates one effects device. Finish will match body color. Consult factory if alternate finish is requested.

CLEANING INSTRUCTIONS

Factory recommends cleaning waveguide assembly with a microfiber cloth or similar non-abrasive cloth. In most cases a damp microfiber cloth will remove dust/debris or fingerprints. For stubborn stains, approved cleaning agents include soap and water, or ammonia based cleaners.



DIMENSIONS / DRAWINGS



STELLR RECESSED PENDANT

HOUSING

- I NO INSULATION CONTACT (NON-IC) HOUSING**
 - Included with Y and W install types.
 - Minimum 0.50" setback from combustible and non-combustible materials on all sides and top of housing.
 - Minimum 3.00" setback from insulation material having max R-Value 30 on all sides and top of housing.
 - Minimum 6.00" setback from polycell spray foam insulation having max R-Value 60.
- J INSULATION CONTACT (IC) HOUSING**
 - Included with X and V install types.
 - No setback from polycell spray foam insulation having max R-Value of 60 on all sides and top of housing.
- K TG ACCESSORY**
 - Specified separately and recommended for installations in T-Grid and with furring channel.
 - Hanger bars are installed to adjustable bracket. Allows housing to be raised and lowered; ceiling thickness remains 0.5" to 2.25" max.

HOUSING MOUNTING NOTES

- X and V install types are required for Chicago Plenum, Airtight and Title 24 (JA8) applications.
- Do not install in environments where ambient temperatures exceed 40°C (104°F).
- Power supply compartment and all splice connections may be serviced from room side.
- Consult factory for spacing requirements for any installations exceeding R-Value 60.
- Hanger bars fitted to short side of housing or long side of housing for TG Accessory; extend from 14.0" to 24.0", but may be field cut to accommodate narrow stud spacing.
- Hanger bars and brackets add 4.00" to the overall dimension, but are exclusive of the setback requirements.

REMOTE / REMODEL

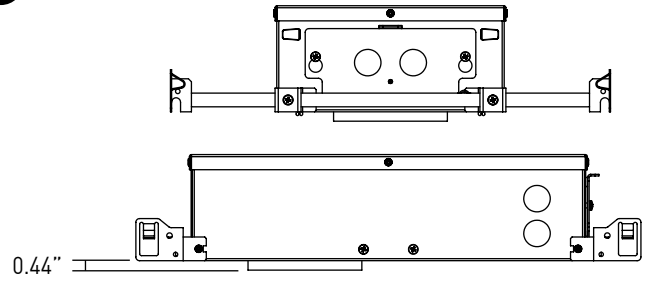
- L REMOTE / REMODEL JUNCTION BOX**
 - Junction box mounted to top of mounting adapter allows for low voltage connections from remote driver(s).
 - Minimum 1.25" (32mm) setback from top of junction box to R30 material.
- M REMOTE / REMODEL POWER SUPPLY**
 - Provided with R install type. Consult installation guide for maximum allowable secondary run lengths between PS-RMT and fixture. Must be installed in an accessible location.
 - Minimum 8" (204mm) setback from sides of remote drivers to R30 material.
 - Minimum 3" (77mm) spacing between drivers.

REMOTE/REMODEL NOTES

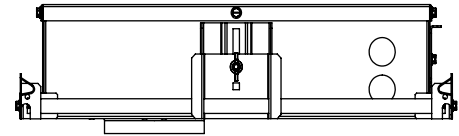
- Do not install in environments where ambient temperatures exceed 40°C (104°F).
- Consult factory for spacing requirements for any installations exceeding R-Value 60.

DIMENSIONS / DRAWINGS

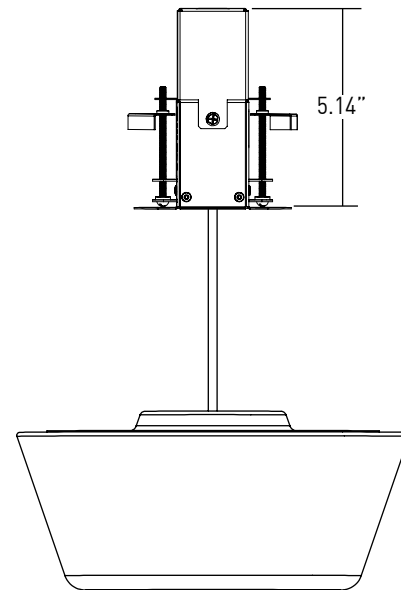
I/J



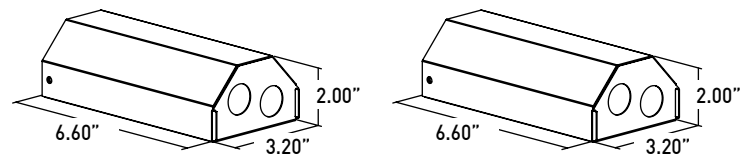
K



L



M



STELLR RECESSED PENDANT

ZERO-SIGHTLINE INSTALLATIONS

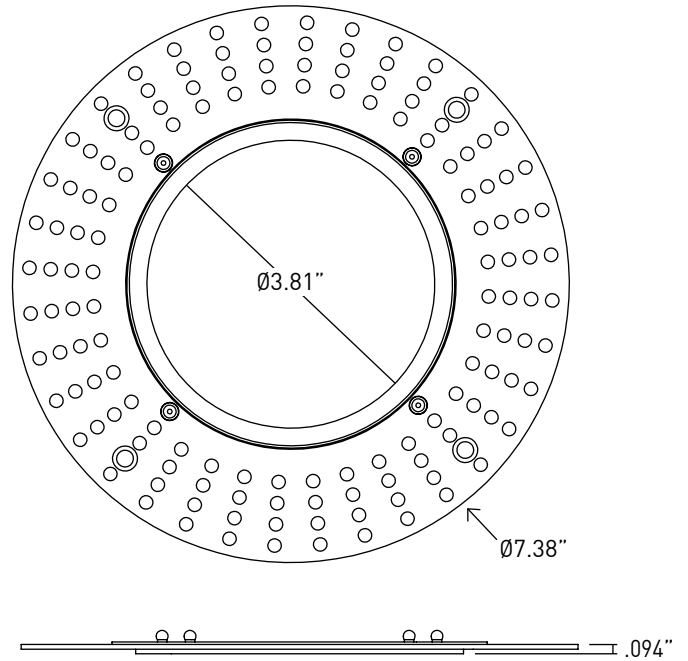
When installed according to manufacturer's instructions and ceiling conditions are met, fixture trim plate is flush with the ceiling plane. Consult STELLR Installation Guidelines for appropriate ceiling cutouts and instructions for proper Zero-Sightline installations.

M APPLIQUÉ

- Specified on Fixture Type and ships with housing.
- For use in painted gypsum ceiling applications.
- Not recommended for stucco applications.

DIMENSIONS / DRAWINGS

M



FIXTURE CONTROL INFORMATION

DRIVER	DRIVER QUANTITY	SOURCES DIM INDEPENDENTLY OR TOGETHER	SOURCES DIM TOGETHER ONLY	WIRING REQUIREMENTS
PH	2	X		For independent control, two switch-legs required.
TR	2	X		For independent control, two switch-legs required.
L2	2	X		For independent control, two switch-legs required.
SG	2	X		For independent control, two switch-legs and two 0-10V control leads required.
SN	2	X		For independent control, two switch-legs and two 0-10V control leads required.
LP	2	X		For independent control, two EcoSystem addresses required.
DD	1	X		For independent control, two DALI addresses required.
EG	1		X	Single switch-leg and 0-10V control leads required.
EN	1		X	Single switch-leg and 0-10V control leads required.

STELLR RECESSED PENDANT

TECHNICAL

CONSTRUCTION

Fixture: Spun reflector; die-cast aluminum heat-sink; stamped canopy; painted finishes are granulated powder coat.

Housing: 22 Gauge galvanized steel.

Mounting Adapter / Junction Box: 22 Gauge galvanized steel.

Remote Power Supply: 22 Gauge galvanized steel.

LED

Proprietary 2 step MacAdam ellipse LED modules available in 80+ and 90+ CRI configurations in color temperatures of 2700K, 3000K, 3500K and 4000K. Average rated lamp life of 50,000 hours. Driver assemblies are field-replaceable.

WARM DIM LED

Proprietary 3-step MacAdam ellipse warm dim LED modules available in 90+ CRI configuration. 3000K at full brightness, warming to 1800K at full dim. Average rated lamp life of 50,000 hours. Driver assemblies are field-replaceable.

POWER SUPPLY PERFORMANCE AND DIMMING INFORMATION

Power Supply	PH	SG	SN	DD	EG	EN	TR	L2	LP
Minimum °C	-10 °C	-10 °C	-10 °C	-20 °C	-20 °C	-20 °C	-20 °C	0 °C	0 °C
Maximum °C	25 °C	25 °C	25 °C	25 °C	25 °C	25 °C	25 °C	25 °C	25 °C
Dimming %	1.0%	1.0%	1.0%	0.1%	0.1%	0.1%	2.0%	1.0%	0.1%

MAXIMUM ALLOWABLE REMOTE DRIVER WIRING DISTANCES

DRIVER	WIRE AWG				
	12	14	16	18	20
PH, SG, SN, TR	285'	180'	113'	71'	45'
L2, LP	60'	40'	25'	15'	-
EG, EN, DD	-	-	118'	72'	46'

MOUNTING

Fixture is supplied with a mounting adapter. Junction box included on mounting adapter for remote / remodel installations.

LISTING

cTUVus listed to UL1598 standard for Dry / Damp locations. JA8-2019 Title 24 listed.

WEIGHT

Fixture - 7 lbs max

Housing - 5.1 lbs

Remote Driver - 1.4 lbs

LIMITED WARRANTY

Manufacturer's 1-year warranty guarantees product(s) listed to be free from defects in material and workmanship under normal use and service. 5-year warranty on LED and power supply to operate with 70% of the original flux and remain within a range of 3 duv. 10-year Lutron Advantage limited warranty available on Lutron equipped systems. Warranty period begins from the date of shipment by Seller and conditional upon the use of manufacturer-supplied power supply. Consult [website](#) for full warranty terms and conditions.

CHANGE LOG

1. 10/17/2022: REMOVED 3200K-1800K WARM DIM AND ADDED 3000K-1800K WARM DIM.

STELLR RECESSED PENDANT

DRIVE CURRENT SPECIFICS

DOWNLIGHT

	80C	90C	90W
	20A	17A	13A
Minimum Vf	30.5	30.5	30.5
Maximum Vf	39	39	39
Current mA	425	425	350
Wattage W	14.6	14.6	11.8

WAVEGUIDE

	80C	90C	90W
Minimum Vf	30.5	30.5	30.5
Maximum Vf	39	39	39
Current mA	350	350	350
Wattage W	11.8	11.8	11.8