

PROJECT NAME:	TYPE:
---------------	-------

2" ROUND ADJUSTABLE

A miniature downlight range offering impressive performance in an extremely small profile with a 2" aperture. Available for flange overlay and trimless for both drywall and millwork applications.



ORDERING INFORMATION - TRIM / HOUSING



JA8-2019 INDICATED BY SHADING

TRIM	TRIM TYPE	FIXTURE TYPE	RATING	TRIM FINISH	BAFFLE FINISH	LUMEN PACKAGE	CCT	OPTIC	INSTALL TYPE	DRIVER	EFFECTS DEVICE	
A2RS												
A2RS	2" Round Standard	F Flange Overlay T Trimless Drywall W Trimless Wood* <small>* (Not available for remodel installations)</small>	AD Adjustable* <small>*(0° - 30° Tilt)</small> AW Accent Washer* <small>*(Requires 30° Tilt for optimal performance)</small>	1 Dry/Damp (IP20) 2 Wet (IP44)	WH White BK Black AG Satin Silver OO Trimless* <small>*(Required for trimless)</small> CF Custom Finish* <small>*(Consult Factory)</small>	WH White BK Black AG Satin Silver CF Custom Finish* <small>*(Consult Factory)</small>	STATIC WHITE 8012D 80+ CRI, Delivered Lumens - 912 9010D 90+ CRI, Delivered Lumens - 773	27 2700K 30 3000K 35 3500K 40 4000K	15 15° 25 25° 35 35° 50 50° AZ Adjustable Zoom* <small>*(24°, 30°, 36°, 42° and 48° beam spreads)</small> AW Accent Washer* <small>*(Required and only available for Accent Washer)</small>	0.5" - 2.0" MAX CEILING THICKNESS INTEGRAL DRIVER I IC N Non-IC C IC, Airtight* <small>*(Chicago Plenum, Airtight & Title 24 compliant housing)</small> REMOTE DRIVER S IC, Remote T Non-IC, Remote D IC, Airtight, Remote* <small>*(Chicago Plenum, Airtight & Title 24 compliant housing)</small> REMODEL R Remodel M Remote Remodel	INTEGRAL / REMOTE PH ELV / Triac, 1%, 120V SG 0-10V Analog, LOG 1%, 120 or 277V SN 0-10V Analog, LIN 1%, 120 or 277V LP Lutron, Hi-Lume Premier Ecosystem 0.1% Fade to Black, 120 or 277V REMOTE L2 Lutron, Hi-Lume 1% 2-Wire, 120V EG eldoLED, SOLdrive 0.1% 0-10V, LOG, 120 - 277V EN eldoLED, SOLdrive 0.1% 0-10V, LIN, 120 - 277V ED eldoLED, SOLdrive 0.1% DALI, LOG, 120 - 277V	STANDARD 4 Soft Focus Film A Accent Washer* <small>*(Required and only available for Accent Washer)</small> ALTERNATE 0 No Media* <small>*(Not available for Wet Location, Warm Dim, or Airtight Housings)</small> 2 Honeycomb Louver* <small>*(Not available for Wet Location, Warm Dim, or Airtight Housings)</small> 3 Clear Film* <small>*(Not available for Warm Dim)</small> S Honeycomb Louver w/ Soft Focus Film C Honeycomb Louver w/ Clear Film* <small>*(Not available for Warm Dim)</small>
						WARM DIM 9009D 90+ CRI, Delivered Lumens - 663	WD 3000K - 1800K	25 25° 35 35° 50 50° AW Accent Washer* <small>*(Required and only available for Accent Washer)</small>				
						*ALL DELIVERED LUMEN OUTPUTS AND T24 COMPLIANCE REFLECT 3000K PAIRED WITH 25° OPTIC AND SOFT FOCUS FILM.						



PART NUMBER NOTES

- Trim ships as e.g., A2RSFAD1AGAG-8012D27-15I-PH*0
- Housing ships as e.g., IFS-A2I-280A-PH*
- Remote driver ships as e.g., PSA2-RMT-280A-PH*

ATOMOS 2" ROUND ADJUSTABLE

ACCESSORIES

ALTERNATE EFFECTS DEVICES

Consult factory for additional configurations.

- CGL-AR** Clear Film*
*(Not available for Warm Dim. Consult factory for Wet locations)
- SFL-AR** Soft Focus Film*
*(Consult factory for Wet locations)
- HCL-AR** Honeycomb Louver*
*(Not available for Warm Dim unless paired with Soft Focus Film. Not available for wet location unless paired with film)

HANGER BAR EXTENDER KIT

Extends hanger bars from 24.0" to 46.0" maximum.

- FRX-HBE-46** Extender, Hanger Bar

EMERGENCY LIGHTING - REMOTE MOUNT ONLY

During disruption of main power, emergency battery inverter provides temporary 120V or 277V to fixture.

- EMB-S-20/25-120/277-LEDX** 20/25 watt max capacity, 120 or 277 VAC 60Hz, Non-Dimmable
- EMB-S-100-120-LEDX** 100 watt max capacity, 120 VAC 60Hz, Dimmable
- EMB-S-100-277-LEDX** 100 watt max capacity, 277 VAC 60Hz, Dimmable
- EMB-S-250-120/277-LEDX** 250 watt max capacity, 120 or 277 VAC 60Hz, Dimmable

REPLACEMENT OPTICS

Interchangeable optics accessible through fixture aperture.

- RO-A-15-1** 15° optic*
*(Not available for Warm Dim)
- RO-A-25-1** 25° optic
- RO-A-35-1** 35° optic
- RO-A-50-1** 50° optic
- RO-A-AZ-1** Adjustable zoom optic*
*(24°, 30°, 36°, 42° and 48° beam spreads. Not available for Warm Dim)

T-GRID ACCESSORY KIT

Recommended for installations in T-Grid and furring channel up to 1.5" tall.

- DHA-TG-KIT**


STATIC WHITE PERFORMANCE - 3000K

LUMEN PACKAGE	WATTAGE	15° OPTIC SOFT FOCUS FILM		25° OPTIC SOFT FOCUS FILM		35° OPTIC SOFT FOCUS FILM		50° OPTIC SOFT FOCUS FILM		AW OPTIC ACCENT WASH FILM	
		DELIVERED	LPW	DELIVERED	LPW	DELIVERED	LPW	DELIVERED	LPW	DELIVERED	LPW
8012D	12	920	77	912	76	807	67	857	71	652	54
9010D	12	779	51	773	64	684	57	726	61	552	46
9009D	12	-	-	663	55	587	49	623	52	423	35

OUTPUT MULTIPLIER	
CCT	CCT SCALE
2700K	0.95
3000K	1.00
3500K	1.05
4000K	1.06

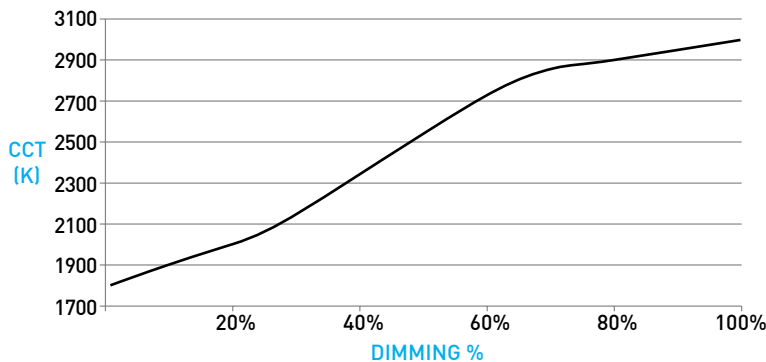
LIGHT LOSS FACTOR	
NO MEDIA	1.11
SOFT FOCUS	1
CLEAR	0.99
HONEYCOMB	0.77
HONEYCOMB W/ SOFT FOCUS	0.77
HONEYCOMB W/ CLEAR	0.76

LUMEN PACKAGE	WATTAGE	24° Zoom - Position 1 SOFT FOCUS FILM		30° Zoom - Position 2 SOFT FOCUS FILM		36° Zoom - Position 3 SOFT FOCUS FILM		42° Zoom - Position 4 SOFT FOCUS FILM		48° Zoom - Position 5 SOFT FOCUS FILM	
		DELIVERED	LPW	DELIVERED	LPW	DELIVERED	LPW	DELIVERED	LPW	DELIVERED	LPW
8012D	12	803	67	810	67	763	64	731	61	721	60
9010D	12	680	57	686	57	646	54	619	52	611	51

 **JA8-2019 INDICATED BY SHADING**

WARM DIM PERFORMANCE - SOFT FOCUS FILM - 35° OPTIC

9009D 3000K - 1800K	Full on 100%	Dimmed to 80%	Dimmed to 70%	Dimmed to 50%	Dimmed to 20%	Dimmed to 10%	Dimmed to 2%
CCT (K)	3000	2900	2850	2550	2000	1900	1800
Light Output (Lm)	587	470	411	294	117	59	12
Power (W)	12	9.6	8.4	6	2.4	1.2	0.2
Efficacy (LPW)	49	49	49	49	49	49	49



ATOMOS 2" ROUND ADJUSTABLE

DOWNLIGHT

- A TRIM**
Adjustable - Hot-aim tilt up to 30° and 362° rotation. Sliding pivot point optimizes center beam. Max ceiling thickness for 30° tilt is 1-3/8".

Accent Washer - Requires tilt to be adjusted to 30° for optimal accent washing. Max ceiling thickness for 30° tilt is 1-3/8".
- B STANDARD OPTICS**
Proprietary optic integrates Reflection, Refraction and TIR offering 15°, 25°, 35°, and 50° beams. 25° optic used for optimal accent washing.
- C ADJUSTABLE ZOOM OPTIC**
Proprietary optic integrates Refraction and TIR. Allows precision tuning to beam spreads of 24°, 30°, 36°, 42°, and 48°.
- D HONEYCOMB LOUVER**
Clips onto optic and adjusts with fixture.
- E EFFECTS DEVICES**
Soft focus film or Accent Washer film standard and sealed to baffle or Wet locations. Fixture is limited to 1 film and the honeycomb louver.
- F ADJUSTMENT TOOL**
Minimum 1 provided for every 10 fixtures. Utilizes a 0.050" Allen key driver.

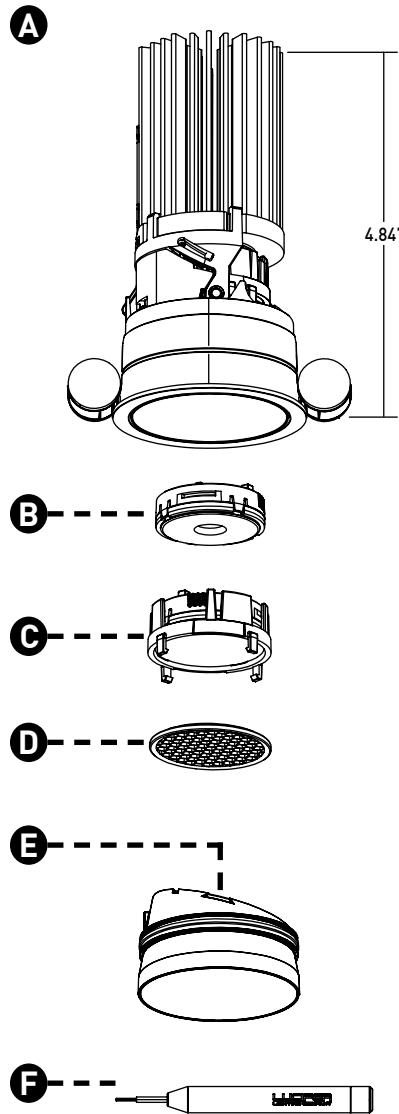
TRIM PROFILES

- **FLANGE OVERLAY**
Installed after ceiling is complete. Requires 2.3125" diameter cutout. Provides 0.16" total contractor (goof) allowance with 0.20" flange. Thickness measures 0.06".
- **TRIMLESS DRYWALL**
Installs totally flush with the ceiling with no visible trim. Appliqué includes screws for mounting and has 0.06" plaster stop. Not recommended for stucco applications.
- **TRIMLESS WOOD**
Installs totally flush with the ceiling with no visible trim. Utilizes the A2RS round standard configuration installed behind the ceiling. See additional information on page 4.

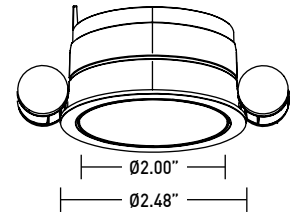
BAFFLE

- **ROUND BAFFLE - A2RS**
Die-cast removable baffle provides easy access to tilting mechanism and features 45° glare cutoff. Minimizes aperture glare and conceals view into housing or ceiling; includes silicone gasket.

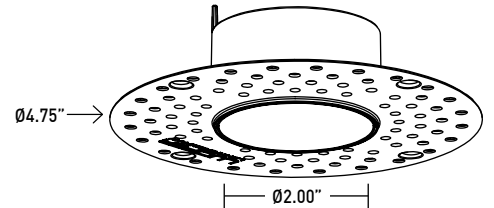
DIMENSIONS / DRAWINGS



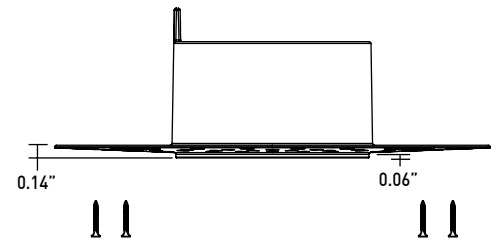
A2RS - FLANGE OVERLAY



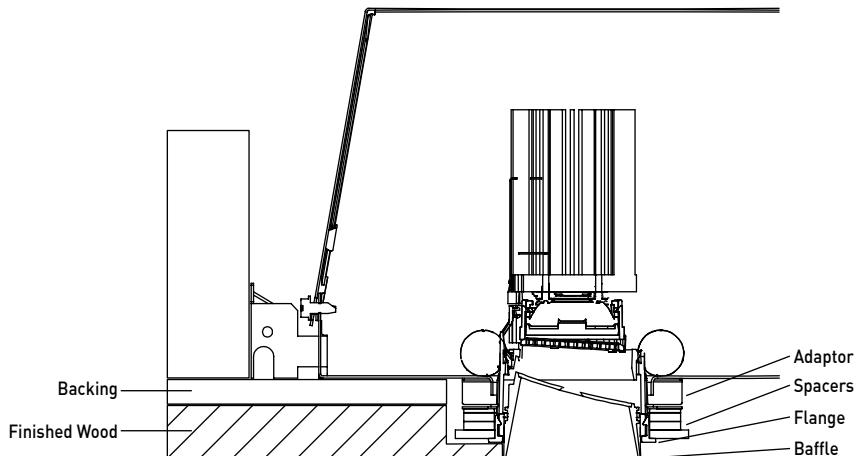
A2RS - TRIMLESS DRYWALL



TRIMLESS DRYWALL APPLIQUÉ DETAIL



TRIMLESS WOOD DETAIL (EXAMPLE)



ATOMOS 2" ROUND ADJUSTABLE

HOUSING

G HOUSING

- For IC or Non-IC ceilings.
- Chicago Plenum, Airtight and Title 24 (JA8) listed.
- Requires 2.3125" diameter cutout for flange overlay and trimless drywall applications.
- Accommodates max 1090 delivered lumens.
- No setback from polycell spray foam insulation having max R-Value of 60 on all sides and top.

H TRIMLESS WOOD HOUSING ADAPTOR

Ships with housing when trimless wood is specified and provides attachment point for spacers. Requires 3.50" x 3.50" cutout.

I TRIMLESS WOOD SPACERS

Ship with housing when trimless wood is specified; includes (1) 1/16" spacer and (8) 1/8" spacers.

J ADJUSTABLE HANGER BAR HEIGHT ACCESSORY

Specified as DHA-TG-KIT and recommended for installations in T-Grid and with furring channel. Hanger bars are installed to adjustable bracket. Allows housing to be raised and lowered; ceiling thickness remains 0.50" to 2.00" max.

HOUSING NOTES

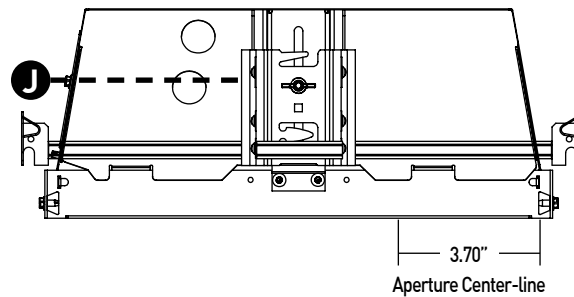
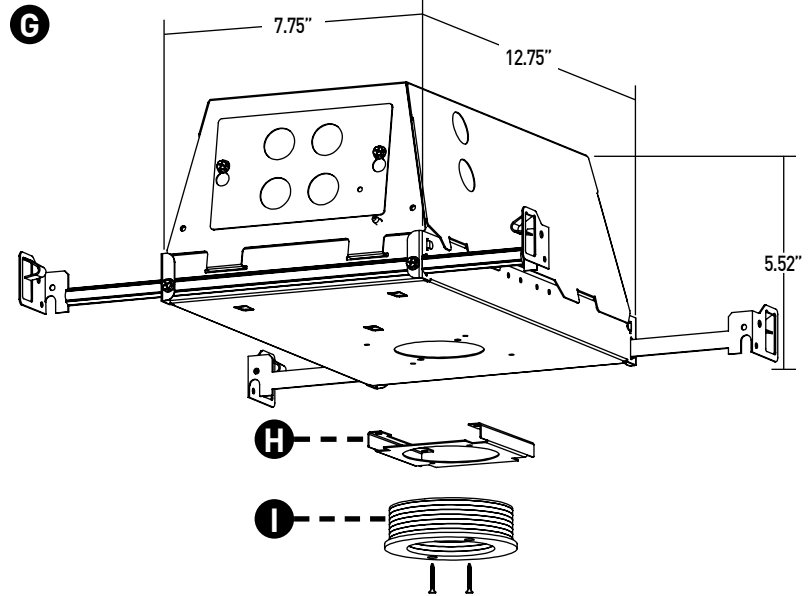
- Do not install in environments where ambient temperatures exceed 40°C (104°F).
- Power supply compartment and all splice connections may be serviced from room side.
- Consult factory for spacing requirements for any installations exceeding R-Value 60.
- Hanger bars can be fitted to long or short side of housing; extend from 14.0" to 24.0", but may be field cut to accommodate narrow stud spacing. Can be extended up to 46" maximum with FRX-HBE-46 kit.
- Hanger bars and brackets add 3.16" to the overall dimension but are exclusive of the setback requirements.
- Housings feature a round aperture accommodating ceiling thicknesses between 0.50" and 2.00".

REMOTE POWER SUPPLY

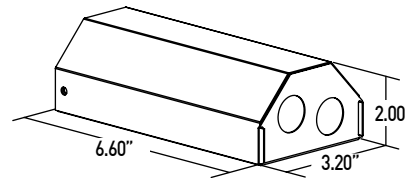
K REMOTE POWER SUPPLY

Provided with install types "S", "T", and "D". Remote power supply provides additional driver options. Consult installation guide for maximum allowable secondary run lengths between PSA2-RMT and fixture. Must be installed in an accessible location. See page 6 for maximum allowable wiring distances.

DIMENSIONS / DRAWINGS



K



ATOMOS 2" ROUND ADJUSTABLE

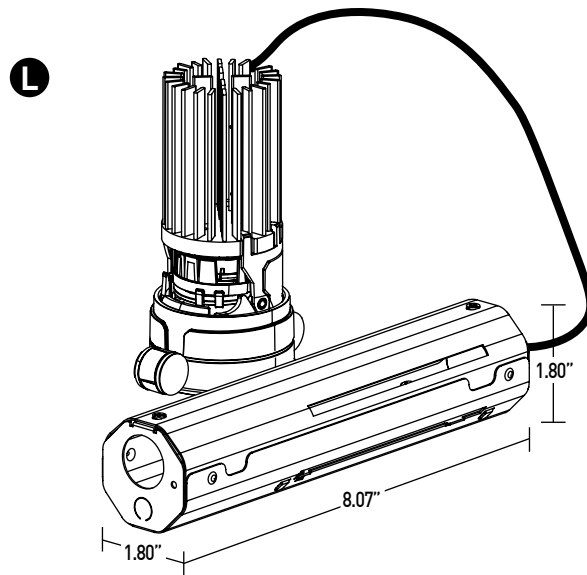
REMODEL POWER SUPPLY

- L** REMODEL POWER SUPPLY
 - Included with "R" Install Type.
 - UL2043 listed for air-handling plenum.
 - Fixture mounts without conventional housing.
 - Minimum 9.25" (235mm) clearance from top of the ceiling plane to allow for driver installation and servicing if necessary.
 - Minimum setback from combustible and non-combustible materials of 6.63" (168mm) radius from fixture centerline.
 - Minimum 3.00" (76mm) setback from surfaces of power supply / junction box.
 - Minimum additional 3.00" (76mm) setback from insulation material with max R-Value 30 from any surface of downlight fixture assembly.
 - Minimum additional 6.00" (152mm) setback from polycell spray foam insulation with max R-Value 60 from any surface of downlight fixture assembly.

- M** REMOTE APPLICATIONS

- Remote power supply and accessory kit included with "M" Install Type.
- See page 6 for maximum allowable wiring distances.

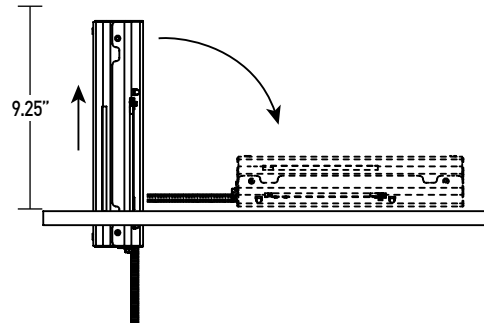
DIMENSIONS / DRAWINGS



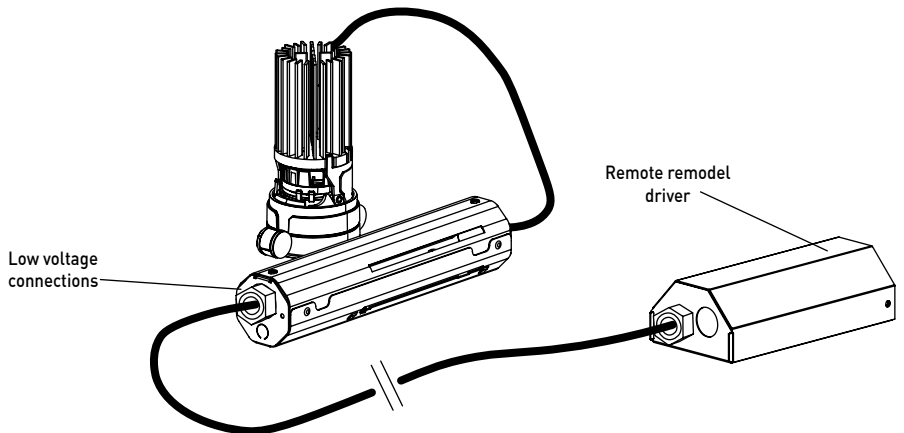
REMODEL NOTES

- Do not install in environments where ambient temperatures exceed 40°C (104°F).
- Power supply compartment and all splice connections may be serviced from room side.
- Consult factory for spacing requirements for any installations exceeding R-Value 60.

REQUIRES MINIMUM 9.25" CLEARANCE ABOVE CEILING



- M**



ATOMOS 2" ROUND ADJUSTABLE

TECHNICAL

CONSTRUCTION

Downlight: Painted finishes are granulated powder coat.

Housing: Aluminum and 22 Gauge galvanized steel.

Remote Power Supply: 24 Gauge cold rolled steel.

Appliqué: High strength fiber reinforced polymer.

STATIC WHITE LED

2-step MacAdam ellipse LED module available in 80+ and 90+ CRI configurations in color temperatures of 2700K, 3000K, 3500K and 4000K. Average rated lamp life: 50,000 hours. LED and driver assemblies are field-replaceable.

WARM DIM LED

3-step MacAdam ellipse warm dim LED module available in 90+ CRI configuration. 3000K at full brightness, warming to 1800K at full dim. Average rated lamp life of 50,000 hours. LED and driver assemblies are field-replaceable.

POWER SUPPLY PERFORMANCE AND DIMMING INFORMATION

Power Supply	ELV		ECO	0-10V				DALI
	PH	L2	LP	SG	SN	EG	EN	ED
Minimum °C	-10 °C	0 °C	0 °C	-10 °C	-10 °C	-20 °C	-20 °C	-20 °C
Maximum °C	40 °C	40 °C	40 °C	40 °C	40 °C	40 °C	40 °C	40 °C
Dimming %	1.0%	1.0%	0.1%	1.0%	1.0%	0.1%	0.1%	0.1%

Note: For L2, LP, EG and EN drivers consult chart on page 7 to confirm appropriate dimming curve for compatibility with selected control.

MAXIMUM ALLOWABLE REMOTE DRIVER WIRING DISTANCES

DRIVER	WIRE AWG						
	12	14	16	18	20	22	24
PH, SG, SN	285'	180'	113'	71'	45'	-	-
L2, LP	60'	40'	25'	15'	-	-	-
EG, EN, ED	-	-	118'	92'	72'	59'	46'

LISTING

cTUVus listed to UL1598 standard for Dry / Damp and Wet locations. Chicago Plenum, Airtight and Title 24 JA8-2019 Listed.

BUY AMERICAN ACT

All Atomos configurations are Buy American Act compliant.

WARRANTY

Manufacturer's 1-year warranty guarantees product(s) listed to be free from defects in material and workmanship under normal use and service. 5-year warranty on LED and power supply to operate with 70% of the original flux and remain within a range of 3 duv. 10-year Lutron Advantage limited warranty available on Lutron equipped systems. Warranty period begins from the date of shipment by Seller and conditional upon the use of manufacturer-supplied power supply. Consult website for full warranty terms and conditions.

ATOMOS 2" ROUND ADJUSTABLE

DIMMING COMPATIBILITY

LUTRON DRIVER COMPATIBILITY

Power supply L2 Lutron Product Family	Part No.
Maestro WirelessR 600 W dimmer	MRF2-6ND-120-
Maestro WirelessR 1000 W dimmer	MRF2-10ND-120-
Caséta® Wireless Pro 1000 W dimmer	PD-10NXD-
GRAFIK T™ CL® dimmer	GT-250M- GTJ-250M-
HomeWorks® QS adaptive dimmer	HQRD-6NA-
HomeWorks® QS 600 W dimmer	HQRD-6ND-
HomeWorks® QS 1000 W dimmer	HQRD-10ND-
RadioRA® 2 adaptive dimmer	RRD-6NA-
RadioRA® 2 1000 W dimmer	RRD-10ND
myRoom™ DIN power module	MQSE-4A1-D
HomeWorks® QS DIN power module	LQSE-4A1-D
HomeWorks® QS wallbox power module	HQRJ-WPM-6D-120
HomeWorks® wallbox power module	HWI-WPM-6D-120
GRAFIK Eye® QS control unit	QSGR-, QSGRJ-
GRAFIK Eye® 3000 control unit	GRX-3100- GRX-3500-
RPM-4U module (LCP, HomeWorks® QS, GRAFIK Systems™, Quantum®)	HW-RPM-4U-120 LP-RPM-4U-120
RPM-4A module (LCP, HomeWorks® QS, GRAFIK Systems™, Quantum®)	HW-RPM-4A-120, LP-RPM-4A-120
GP dimming panels	Various
Ariadni CL 250W dimmer	AYCL-253P-
Diva CL 250W dimmer	DVCL-253P- DCSCCL-253P-
Nova T CL 250W dimmer	NTCL-250-
Power supply LP Lutron Product Family	Part No.
PowPak Dimming Modules	RMJ-EC032-DV-B
PowPak Dimming Modules	FCJ/FCJS-ECO
Energi Savr Nodes	QSN-1ECO-S
GRAFIK Eye QS control unit	QSN-2ECO-S
Homeworks QS control unit	QSGRJ- _E (wireless) QSGR- _E
Quantum Hub	QP2- _ _ 2C
Quantum Hub	QP2- _ _ 4C
Quantum Hub	QP2- _ _ 6C
Quantum Hub	QP2- _ _ 8C
Homeworks QS power module	LQSE-2ECO-D
myRoom Plus power module	

eldoLED DRIVER COMPATIBILITY

Power supply EG Manufacturer	Family/Model #
Busch-Jaeger	2112U-101
Jung	240-10
Leviton Lighting Controls	IP710-DLX
Lightolier Controls	ZP600FAM120
Merten	5729
Pass & Seymour	CD4FB-W
The Watt Stopper	DCLV1
Synergy	ISD BC
Crestron®	GLX-DIMFLV8
Crestron®	GLXP-DIMFLV8
Crestron®	GLPAC-DIMFLV4-*
Crestron®	GLPAC-DIMFLV8-*
Crestron®	GLPP-DIMFLVEX-PM
Crestron®	GLPP-1DIMFLV2EX-PM
Crestron®	GLPP-1DIMFLV3EX-PM
Crestron®	DIN-A08
Crestron®	DIN-4DIMFLV4
Crestron®	CLS-EXP-DIMFLV
Crestron®	CLCI-1DIMFLV2EX
Power supply EN Manufacturer	Family/Model #
Lutron Electronics	Nova T® - NTFTV
Lutron Electronics	Diva® - DVTV
Lutron Electronics	Nova® - NFTV
Lutron Electronics	GrafixEye® GRX-TVI w GRX3503
Lutron Electronics	Energy Savr Node™ - QSN-4T16-S
Lutron Electronics	TVM2 Module
Sensor Switch	nI0 EZ
ABB	SD/S 2.16.1

