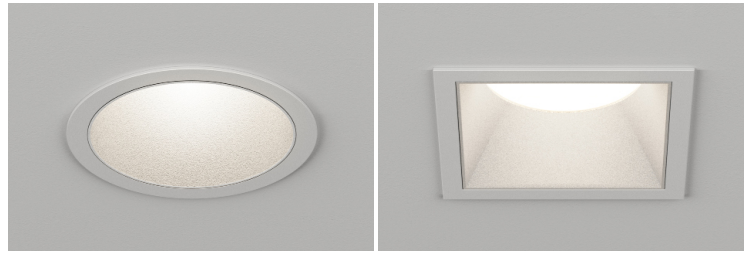


# ATOMOS™ 2 INT

## ADJUSTABLE | FIXED

A miniature downlight range offering impressive performance in an extremely small profile with a 2" aperture.

PROJECT NAME:	TYPE:
---------------	-------



### ORDERING INFORMATION - FITTING

FITTING	FITTING TYPE	RATING	FITTING FINISH	BAFFLE FINISH	DOWNLIGHT TYPE	INSTALL TYPE	LUMEN PACKAGE	CCT	OPTIC (UGR)	DRIVER	EFFECTS DEVICE
AZRS 2" Round Standard	F Flange Overlay	1 Dry / Damp (IP20)	WH White	WH White	AD Adjustable, 30° Max Tilt	E Export* *(For export use, outside of USA)	<b>STATIC WHITE</b> 8008D 80+ CRI - 538 lm 8009H 80+ CRI - 322 lm* *(For use with 10" Optic only) 8012D 80+ CRI - 920 lm 9007D 90+ CRI - 455 lm 9009H 90+ CRI - 273 lm* *(For use with 10" Optic only) 9010D 90+ CRI - 779 lm 9506D 95+ CRI - 208 lm 9509H 95+ CRI - 154 lm* *(For use with 10" Optic only) 9509D 95+ CRI - 356 lm	24 2400K* *(90+CRI Only) 27 2700K 30 3000K 35 3500K 40 4000K	10 10°* (<13) *(For use with 09H lumen package only) 15 15° (<16) 25 25° (<16) 35 35° (<19) 50 50° (<19) 80 80°* (>19) *(Requires -6 wide distribution film) AZ Adjustable Zoom* (<19)* (24°, 30°, 36°, 42° and 48° beam spreads)	PH 1% Forward / Reverse, 120V* *(120V, For Mexico use only. Not available for 8008D, 8009H, 9007D, 9009H, 9005D, 9506D, or 9509H) IP ELV / Triac, 1%* *(Not available for 8008D, 8009H, 9007D, 9009H, 9005D, 9506D, or 9509H) ID DALI, LOG, 1% IN DALI, LIN, 1% TUNABLE WHITE REMOTE (0.1%, 120-277V) DD eLdoLED, DUAL drive DALI-2, LOG	<b>STANDARD MEDIA</b> 4 Soft Focus Film* *(Required for 10" optic) <b>ALTERNATE MEDIA</b> 0 No Media* *(Not available for Wet Location) 2 Honeycomb Louver* *(Not available for Wet Location or Warm Dim) 3 Clear Film 5 Linear Spread Film 6 80° Wide Distribution Film* *(Must be paired with 80° optic) 5 Honeycomb Louver w/ Soft Focus Film C Honeycomb Louver w/ Clear Film
AZSS 2" Square Standard	W Trimless Millwork	2 Wet (IP44)	AB Architectural Bronze AG Satin Silver AU Cashmere Gold BB Burnt Bronze BK Black PR Primer OO Trimless* *(Required for trimless) CF Custom Finish* *(Consult Factory)	AB Architectural Bronze AG Satin Silver AU Cashmere Gold BB Burnt Bronze BK Black PR Primer CF Custom Finish* *(Consult Factory)	FD Fixed						
							<b>TUNABLE WHITE</b> 9010D 90+ CRI Warm Profile - 694 lm Cool Profile - 611	TR 4000K - 1800K TH 5000K - 2700K	15 15° (>19) 25 25° (>19) 35 35° (>19) 50 50° (>19) 80 80°* (>19) *(Requires -6 wide distribution film)		



### PART NUMBER NOTES

- Fitting ships as e.g., A2RSFAD1AGAG-8012D27-15E-IP\*0



# ATOMOS2 INT ADJUSTABLE | FIXED

## ACCESSORIES

### ALTERNATE EFFECTS DEVICES

Consult factory for additional configurations.

**CGL-AR** Clear Film\*

\*(Consult factory for IP44 Wet locations.)

**SFL-AR** Soft Focus Film\*

\*(Consult factory for Wet locations)

**HCL-AR** Honeycomb Louver\*

\*(Not available for IP44 Wet location unless paired with film.)

**AW-AR** Asymmetric Film\*

\*(Consult factory for Wet locations)

### INSTALLATION / REMOVAL TOOL

Required for installation. One provided for every 10 fixtures.

**A2-TOOL-INSTALL** Installation Tool

### REPLACEMENT OPTICS

Interchangeable optics accessible through fitting aperture.

**RO-A-15-1** 15° optic\*

\*(Not available for Warm Dim)

**RO-A-25-1** 25° optic

**RO-A-35-1** 35° optic

**RO-A-50-1** 50° optic

**RO-A-AZ-1** Adjustable zoom optic\*

\*( 24°, 30°, 36°, 42° and 48° beam spreads. Not available for Warm Dim or Tunable White.)

### ADJUSTMENT TOOL

One provided for every 10 adjustable fixtures.

**TOOL-HEX-050** Adjustment Tool

# ATOMOS2 INT ADJUSTABLE | FIXED



LUMEN PACKAGE	WATTS	15° OPTIC SOFT FOCUS FILM		25° OPTIC SOFT FOCUS FILM		35° OPTIC SOFT FOCUS FILM		50° OPTIC SOFT FOCUS FILM		80° OPTIC WIDE DIST. FILM	
		DLVD.	LPW	DLVD.	LPW	DLVD.	LPW	DLVD.	LPW	DLVD.	LPW
8008D	6	538	90	534	89	472	79	501	84	431	72
8012D	12	920	77	912	76	807	67	857	71	779	65
9007D	6	455	76	452	75	400	67	424	71	365	61
9010D	12	779	65	773	64	684	57	726	61	624	52
9506D	6	405	68	402	67	356	59	378	63	325	54
9510D	12	693	58	688	57	609	51	646	54	555	46
9006D (27K-18K)	6	395	66	395	66	350	58	367	61	330	55
9006D (30K-18K)	6	410	60	409	68	362	60	376	63	346	58
9011D (27K-18K)	12	668	56	663	55	587	49	623	52	535	45
9011D (30K-18K)	12	717	60	715	60	633	53	657	55	605	50
9010DTR (18K-4K)	10	694	69	696	70	612	61	685	68	582	58
9010DTH (27K-5K)	10	611	61	613	61	539	54	603	60	512	51

LUMEN PACKAGE	WATTS	10° OPTIC FIELD REDUCER KIT	
		DLVD.	LPW
80S09H	9	322	36
90S09H	9	273	30
95S09H	9	251	28

LUMEN PACKAGE	WATTS	24° Zoom-Position 1 SOFT FOCUS FILM		30° Zoom-Position 2 SOFT FOCUS FILM		36° Zoom-Position 3 SOFT FOCUS FILM		42° Zoom-Position 4 SOFT FOCUS FILM		48° Zoom-Position 5 SOFT FOCUS FILM	
		DLVD.	LPW	DLVD.	LPW	DLVD.	LPW	DLVD.	LPW	DLVD.	LPW
8008D	6	469	78	473	79	446	74	427	71	422	70
8012D	12	803	67	810	67	763	64	731	61	721	60
9007D	6	398	66	401	67	378	63	362	60	357	60
9010D	12	680	57	686	57	646	54	619	52	611	51
9506D	6	354	59	357	59	336	56	322	54	318	53
9509D	12	605	50	611	51	575	48	551	46	544	45

**Part L** 75+ LPW configurations comply with residential Part L  
95+ LPW configurations comply with commercial Part L

### UNIFIED GLARE RATING

10° OPTIC FIELD REDUCER KIT	15° OPTIC SOFT FOCUS LENS	25° OPTIC SOFT FOCUS LENS	35° OPTIC SOFT FOCUS LENS	50° OPTIC SOFT FOCUS LENS	80° OPTIC SOFT FOCUS LENS
<13	<16	<16	<19	<19	>19

### OUTPUT MULTIPLIER

CCT	CCT SCALE
2400K	0.76
2700K	0.95
3000K	1.00
3500K	1.05
4000K	1.06

### TUNABLE WHITE MULTIPLIER

CCT	5000K-2700K	4000K-1800K
5000K	1.16	-
4000K	1.08	1.14
3500K	1.04	1.07
3000K	1.00	1.00
2700K	0.96	0.92
2400K	-	0.84
1800K	-	0.69

### MEDIA LIGHT LOSS FACTOR

MEDIA	LLF
NO MEDIA	1.11
SOFT FOCUS	1
CLEAR	1
HONEYCOMB	0.77
HONEYCOMB W/ SOFT FOCUS	0.77
LINEAR SPREAD	0.76
HONEYCOMB W/ CLEAR	0.76

### FINISH LIGHT LOSS FACTOR

BAFFLE FINISH	LLF
WHITE	1.00
CASHMERE GOLD	0.96
SATIN SILVER	0.95
BURNT BRONZE	0.93
BLACK	0.92

# ATOMOS2 INT ADJUSTABLE | FIXED

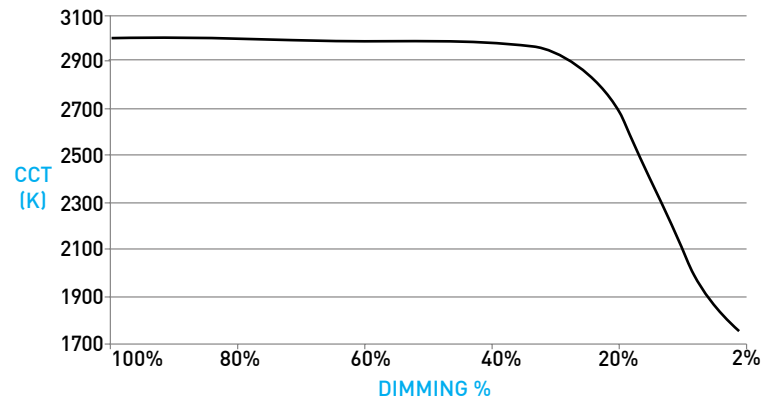
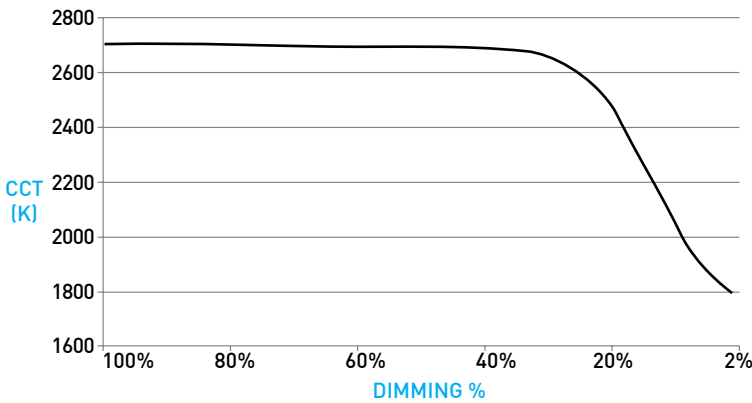
## WARM DIM PERFORMANCE - SOFT FOCUS FILM - 15° OPTIC

INCANDESCENT PROFILE

9006DWL 2700K - 1800K	Full on 100%	Dimmed to 80%	Dimmed to 70%	Dimmed to 50%	Dimmed to 20%	Dimmed to 10%	Dimmed to 2%
CCT (K)	2700	2550	2300	2000	1900	1850	1800
Light Output (Lm)	395	316	277	198	79	40	8
Power (W)	6	4.8	4.2	3	1.2	0.6	0.1
Efficacy (LPW)	66	66	66	66	66	66	66
9011DWL 2700K - 1800K	Full on 100%	Dimmed to 80%	Dimmed to 70%	Dimmed to 50%	Dimmed to 20%	Dimmed to 10%	Dimmed to 2%
CCT (K)	2700	2700	2700	2700	2200	1900	1800
Light Output (Lm)	690	552	483	345	138	69	14
Power (W)	11	8.8	7.7	5.5	2.2	1.1	0.2
Efficacy (LPW)	58	58	58	58	58	58	58

HALOGEN PROFILE

9006DWD 3000K - 1800K	Full on 100%	Dimmed to 80%	Dimmed to 70%	Dimmed to 50%	Dimmed to 20%	Dimmed to 10%	Dimmed to 2%
CCT (K)	3000	2950	2900	2700	1900	1850	1800
Light Output (Lm)	410	328	287	205	82	41	8
Power (W)	6	4.8	4.2	3	1.2	0.6	0.1
Efficacy (LPW)	68	68	68	68	68	68	68
9011DWD 3000K - 1800K	Full on 100%	Dimmed to 80%	Dimmed to 70%	Dimmed to 50%	Dimmed to 20%	Dimmed to 10%	Dimmed to 2%
CCT (K)	3000	3000	3000	3000	2300	1850	1800
Light Output (Lm)	717	574	502	359	143	72	14
Power (W)	11	8.8	7.7	5.5	2.2	1.1	0.2
Efficacy (LPW)	60	60	60	60	60	60	60



**NOTE: LIN-TO-LIN 0-10V PAIRING NOT COMPATIBLE WITH WARM DIM.**

## DRIVE CURRENT SPECIFICS

	8006D	8009H	8012D	9007D	9009H	9010D	9506H	9509H	9509D	9006WD /WL	9011WD /WL	9010DTH	9010DTR
Minimum Vf	31	31	31	31	31	31	31	31	31	31	31	31	31
Maximum Vf	37	37	37	37	37	37	37	37	37	37	37	37	37
Current mA	150	200	280	150	200	280	150	200	280	150	280	225	225
Wattage W	5.1	7.4	9.3	5.1	7.4	9.3	5.1	7.4	9.3	4.9	9.3	8.3	8.3

# ATOMOS2 INT ADJUSTABLE | FIXED

## DOWNLIGHT

- A TRIM**  
Adjustable - Hot-aim tilt up to 30° and 362° rotation. Offset pivot point optimizes center beam. Max ceiling thickness for 30° tilt is 35mm.
- B STANDARD OPTICS**  
Proprietary optic integrates Reflection, Refraction and TIR offering 15°, 25°, 35°, and 50° beams. 25° optic used for optimal accent washing.
- C1 ADJUSTABLE ZOOM OPTIC**  
Proprietary optic integrates Refraction and TIR. Allows precision tuning to beam spreads of 24°, 30°, 36°, 42°, and 48°.
- C2 10° FIELD REDUCER**  
Provided with 10° optic, includes honeycomb louver.
- D HONEYCOMB LOUVER**  
Clips onto optic and adjusts with fitting.
- E EFFECTS DEVICES**  
Soft focus film standard and sealed to baffle on Wet locations. Fitting is limited to 1 film and the honeycomb louver.
- F BAFFLE**  
Die-cast removable baffle provides easy access to tilting mechanism and features 45° glare cutoff. Minimizes aperture glare and conceals view into housing or ceiling; includes silicone gasket. Square baffle transitions from square to round.

## FITTING PROFILES

- **FLANGE OVERLAY**  
Installed after ceiling is complete. Requires 59mm diameter cutout. Provides 4mm total contractor (goof) allowance with 5mm flange. Thickness measures 1.5mm
- **TRIMLESS DRYWALL**  
Installs totally flush with the ceiling with no visible trim. Appliqué includes screws for mounting and has 1.5mm plaster stop. Not recommended for stucco applications.
- **TRIMLESS MILLWORK**  
Installs totally flush with the ceiling with no visible trim. Utilizes the A2RS or A2SS standard configuration installed behind the ceiling. See additional information on page 4.
- **TRIMLESS MILLWORK SPACERS**  
Ship with fitting when trimless millwork is specified. Must be installed flush with finished millwork mounting surface. Includes (1) 1.5mm spacer and (8) 3mm spacers.

## ADJUSTMENT

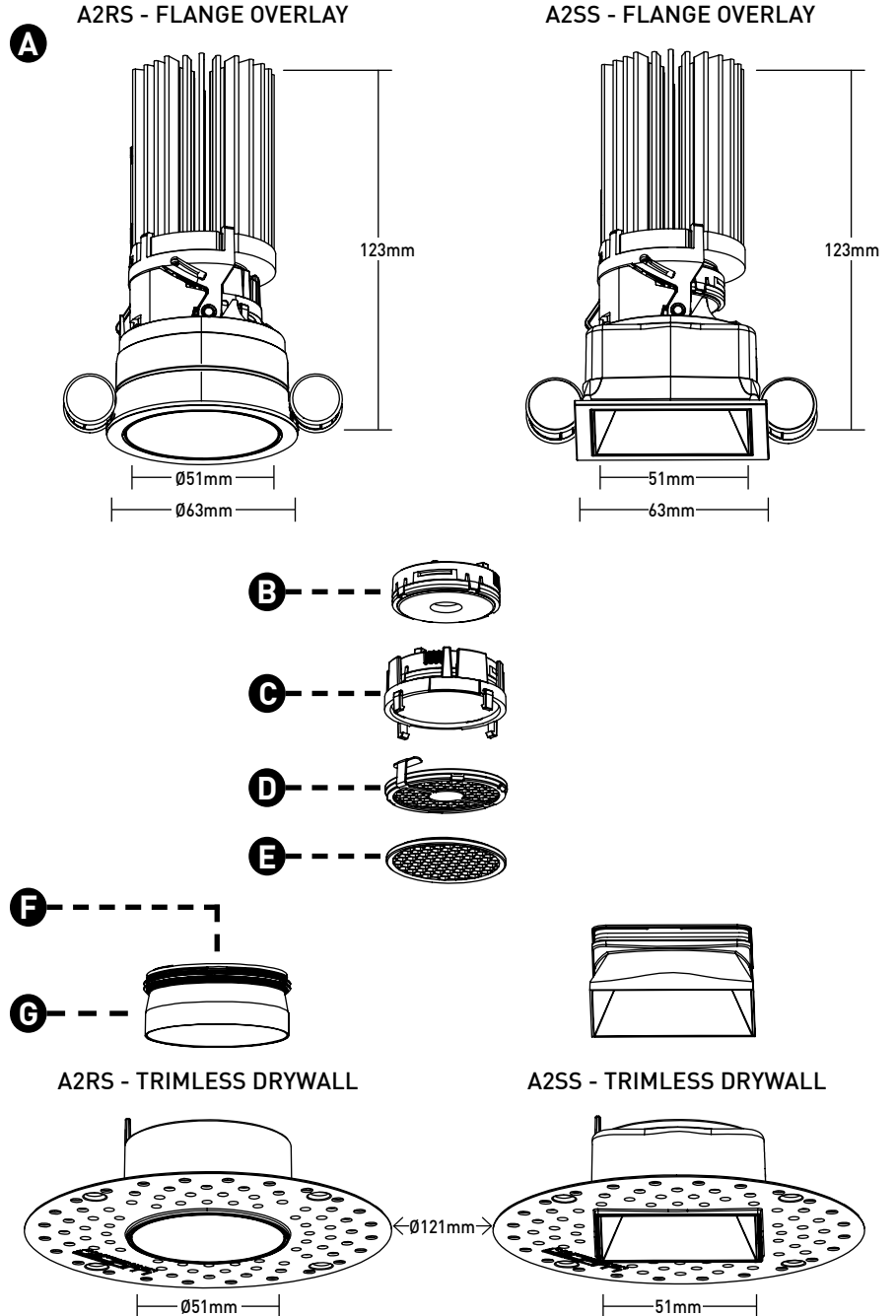
- **ADJUSTMENT TOOL**  
Minimum 1 provided for every 10 fittings. Utilizes a 0.050" Allen key driver.



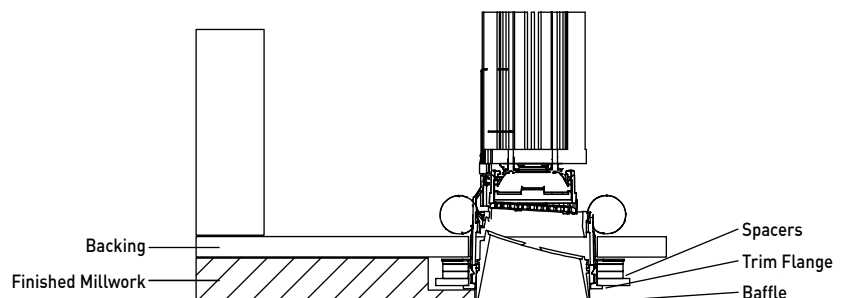
## TILT CHART

CEILING THICKNESS	≤38mm	≤41mm	≤44mm	≤47mm	≤50mm
MAX TILT	30°	24°	18°	15°	13°

## DIMENSIONS / DRAWINGS



## TRIMLESS MILLWORK DETAIL (EXAMPLE)

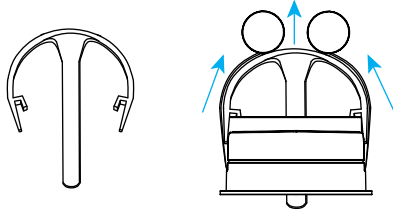


# ATOMOS2 INT ADJUSTABLE | FIXED

## INSTALLATION

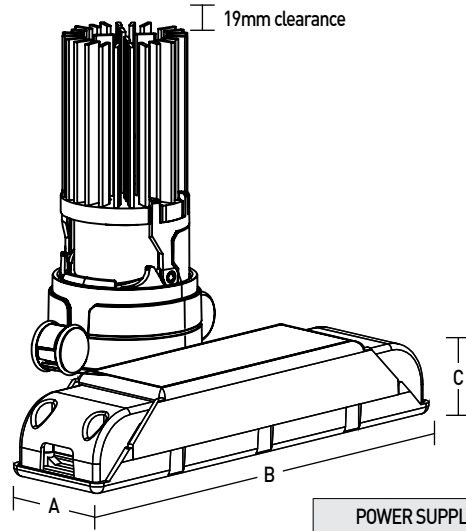
### • INSTALLATION TOOL

Minimum 1 provided for every 10 flange overlay and trimless millwork fixtures.



## DIMENSIONS / DRAWINGS

**H**



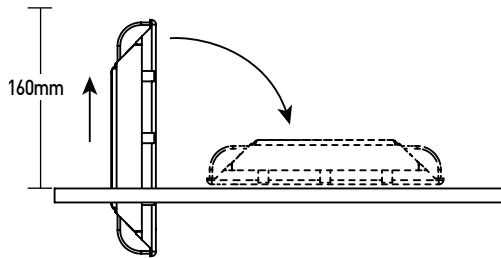
## POWER SUPPLY

### **H** POWER SUPPLY

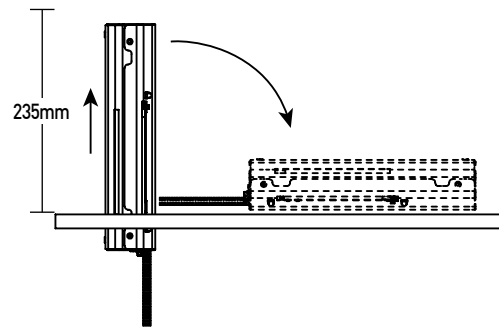
- Minimum 160mm (ID / IN) or 235mm (IP) clearance from top of the ceiling plane to allow for driver installation and servicing.
- Minimum 19mm clearance from top of fitting.
- Minimum setback from combustible and non-combustible materials of 168mm radius from fitting centerline.
- Minimum 76mm setback from surfaces of power supply / junction box.
- Minimum additional 76mm setback from insulation material with max R-Value 30 from any surface of downlight fitting assembly.
- Minimum additional 152mm setback from polycell spray foam insulation with max R-Value 60 from any surface of downlight fitting assembly.
- Consult factory for spacing requirements for any installations exceeding R-Value 60.
- Do not install in environments where ambient temperatures exceed 40°C (104°F).

POWER SUPPLY DIMENSIONS			
Model	A	B	C
PH	85mm	176mm	51mm
IP	32mm	83mm	25mm
ID	42mm	161mm	31mm
IN			

### ID / IN DRIVER REQUIRES MINIMUM 160MM CLEARANCE ABOVE CEILING



### IP DRIVER REQUIRES MINIMUM 235MM CLEARANCE ABOVE CEILING



# ATOMOS2 INT ADJUSTABLE | FIXED

## TECHNICAL

### CONSTRUCTION

**Fitting:** Painted finishes are granulated powder coat.

**Appliqué:** High strength fiber reinforced polymer.

### STATIC WHITE LED

2-step MacAdam ellipse LED module available in 80+, 90+, and 95+ CRI configurations in color temperatures of 2700K, 3000K, 3500K and 4000K. 3-step MacAdam ellipse LED module available in 90+ CRI configuration in color temperature of 2400K. Average rated lamp life: 50,000 hours. LED and driver assemblies are field-replaceable.

### WARM DIM LED

3-step MacAdam ellipse warm dim LED module available in 90+ CRI configuration. 3000K or 2700K at full brightness, warming to 1800K at full dim. Average rated lamp life of 50,000 hours. LED and driver assemblies are field-replaceable.

### TUNABLE WHITE LED

3-step MacAdam ellipse tunable white LED module available in 90+ CRI configuration. Features tuning range of 2700K to 5000K and 1800K to 4000K. Average rated lamp life of 50,000 hours. Driver assemblies are field-replaceable.

### POWER SUPPLY PERFORMANCE AND DIMMING INFORMATION

Power Supply	PHASE		ELV		DALI		
	PH	IP	ID	IN	DD		
Minimum °C	-20 °C	-10 °C	-20 °C	-20 °C	-20 °C		
Maximum °C	40 °C	40 °C	40 °C	40 °C	40 °C		
Dimming %	2.0%	1.0%	1.0%	1.0%	0.1%		

### LISTING

CE listed for IP20 Dry / Damp and IP44 Wet locations. NOM Certified. Patent Pending.

### PART L

Part L compliant for all 75+ LPW residential and 95+ LPW commercial configurations.

### WARRANTY

Manufacturer's 1-year warranty guarantees product(s) listed to be free from defects in material and workmanship under normal use and service. 5-year warranty on LED and power supply to operate with 70% of the original flux and remain within a range of 3 duv.

### CHANGE LOG

- 05/31/2023: UPDATED ROUND BAFFLE TO FLAT BAFFLE DESIGN.
- 02/07/2024: ADDED 2400K, LOW WATTAGE, AND TUNABLE WHITE OFFERINGS
- 2/15/2024: PART L COMPLIANCE ADDED
- 3/15/2024: ADDED 10 DEGREE FIELD REDUCER, UPDATED 10 DEGREE PERFORMANCE DATA.
- 10/31/2024: ADDED 95+ CRI OFFERING.
- 05/07/2025: UPDATED WARM DIM OFFERING.



## eldoLED DRIVER COMPATIBILITY

Power supply <b>EG, SG</b> Manufacturer	Family/Model #
Busch-Jaeger	2112U-101
Jung	240-10
Leviton Lighting Controls	IP710-DLX
Lightolier Controls	ZP600FAM120
Merten	5729
Pass & Seymour	CD4FB-W
The Watt Stopper	DCLV1
Synergy	ISD BC
Crestron®	GLX-DIMFLV8
Crestron®	GLXP-DIMFLV8
Crestron®	GLPAC-DIMFLV4-*
Crestron®	GLPAC-DIMFLV8-*
Crestron®	GLPP-DIMFLVEX-PM
Crestron®	GLPP-1DIMFLV2EX-PM
Crestron®	GLPP-1DIMFLV3EX-PM
Crestron®	DIN-A08
Crestron®	DIN-4DIMFLV4
Crestron®	CLS-EXP-DIMFLV
Crestron®	CLCI-1DIMFLV2EX
Power supply <b>EN</b> Manufacturer	Family/Model #
Lutron Electronics	Nova T® - NTFTV
Lutron Electronics	Diva® - DDTV
Lutron Electronics	Nova® - NFTV
Lutron Electronics	GrafixEye® GRX-TVI w GRX3503
Lutron Electronics	Energy Savr Node™ - QSN-4T16-S
Lutron Electronics	TVM2 Module
Sensor Switch	nIO EZ
ABB	SD/S 2.16.1

## ANALOG DRIVERS AND DIMMERS

