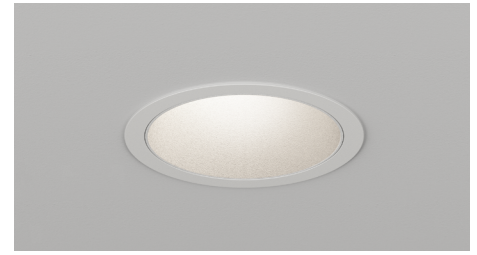


| | |
|---------------|-------|
| PROJECT NAME: | TYPE: |
|---------------|-------|

2" ROUND ADJUSTABLE

A miniature downlight range offering impressive performance in an extremely small profile with a 2" aperture. Available for flange overlay and trimless for both drywall and millwork applications.



ORDERING INFORMATION - TRIM / HOUSING

| TRIM | TRIM TYPE | FIXTURE TYPE | RATING | TRIM FINISH | BAFFLE FINISH | LUMEN PACKAGE | CCT | OPTIC | INSTALL TYPE | DRIVER | EFFECTS DEVICE |
|------------------------|--|--|-----------------------------------|--|---|---|--|--|--|------------------------|--|
| A2RS | | | | | | | | | | LVS | |
| A2RS 2" Round Standard | F Flange Overlay T Trimless Drywall W Trimless Wood* <small>* (Not available for remodel installations)</small> | AD Adjustable* <small>*(10° - 30° Tilt)</small> AW Accent Washer* <small>*(Requires 30° Tilt for optimal performance)</small> | 1 Dry/Damp (IP20) 2 Wet (IP44) | WH White BK Black AG Satin Silver OO Trimless* <small>*(Required for trimless)</small> CF Custom Finish* <small>*(Consult Factory)</small> | WH White BK Black AG Satin Silver CF Custom Finish* <small>*(Consult Factory)</small> | STATIC WHITE 8012D 80+ CRI, Delivered Lumens - 912 9010D 90+ CRI, Delivered Lumens - 773 | 27 2700K 30 3000K 35 3500K 40 4000K | 15 15° 25 25° 35 35° 50 50° AZ Adjustable Zoom* <small>*(24°, 30°, 36°, 42° and 48° beam spreads)</small> AW Accent Washer* <small>*(Required and only available for Accent Washer)</small> | S IC, Remote T Non-IC, Remote D IC, Airtight, Remote* <small>*(Chicago Plenum & Airtight compliant housing)</small> M Remote Remodel | LVS Low Voltage System | STANDARD 4 Soft Focus Film A Accent Washer* <small>*(Required and only available for Accent Washer)</small> ALTERNATE 0 No Media* <small>*(Not available for Wet Location, Warm Dim, or Airtight Housings)</small> 2 Honeycomb Louver* <small>*(Not available for Wet Location, Warm Dim, or Airtight Housings)</small> 3 Clear Film* <small>*(Not available for Warm Dim)</small> S Honeycomb Louver w/ Soft Focus Film C Honeycomb Louver w/ Clear Film* <small>*(Not available for Warm Dim)</small> |
| | | | | | | WARM DIM 9009D 90+ CRI, Delivered Lumens - 663 | WD 3000K - 1800K | 25 25° 35 35° 50 50° AW Accent Washer* <small>*(Required and only available for Accent Washer)</small> | | | |
| | | | | | | *ALL DELIVERED LUMEN OUTPUTS REFLECT 3000K PAIRED WITH 25° OPTIC AND SOFT FOCUS FILM. | | | | | |



PART NUMBER NOTES

- Trim ships as e.g., A2RSFAD1AGAG-8012D27-15S-LVS0
- Housing ships as e.g., IFS-A2R-280A-LVS

ACCESSORIES

ALTERNATE EFFECTS DEVICES

Consult factory for additional configurations.

- CGL-AR** Clear Film*
*(Not available for Warm Dim. Consult factory for Wet locations)
- SFL-AR** Soft Focus Film*
*(Consult factory for Wet locations)
- HCL-AR** Honeycomb Louver*
*(Not available for Warm Dim unless paired with Soft Focus Film. Not available for wet location unless paired with film)

HANGER BAR EXTENDER KIT

Extends hanger bars from 24.0" to 46.0" maximum.

- FRX-HBE-46** Extender, Hanger Bar

REPLACEMENT OPTICS

Interchangeable optics accessible through fixture aperture.

- RO-A-15-1** 15° optic*
*(Not available for Warm Dim)
- RO-A-25-1** 25° optic
- RO-A-35-1** 35° optic
- RO-A-50-1** 50° optic
- RO-A-AZ-1** Adjustable zoom optic*
*(24°, 30°, 36°, 42° and 48° beam spreads. Not available for Warm Dim)

T-GRID ACCESSORY KIT

Recommended for installations in T-Grid and furring channel up to 1.5" tall.




- DHA-TG-KIT**

ATOMOS LVS 2" ROUND ADJUSTABLE

APPLICATION NOTES

- Lucifer Lighting will not supply a fixture with a POE node or power supply inside the fixture. This allows for easier site install with nodes of 2 or more outputs.
- Consult node manufacturer for maximum remote wiring distances.
- Housing and Fixture feature 18 Gauge wiring.
- Wiring connections are made in the splicing compartment or on the fixture using customer supplied connectors, ex. wire nuts, push-in connectors, or terminal blocks.
- Confirm node compatibility with factory if it is not listed.
- Customers are responsible for ensuring POE node drive current is set to correct values shown below.
- Customers must ensure voltage range of the proposed POE node encompasses the fixtures complete Vf range, both maximum and minimum. If assistance is required contact LLC rep or factory.

NODE COMPATIBILITY

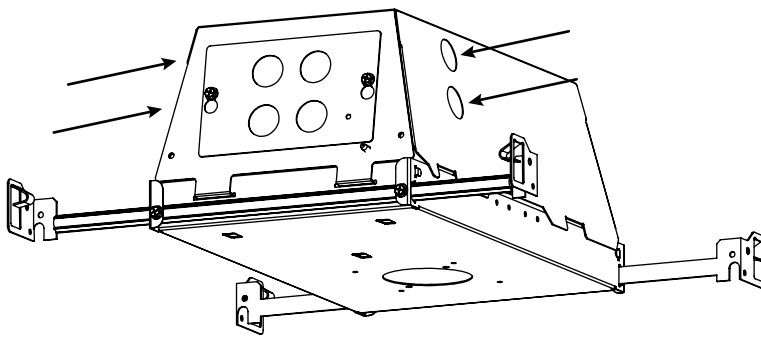
| Manufacturer | Model Number |
|---|--|
|  Igor Enabling Smart Buildings™ | NP50-60-C-F-5 |
|  molex | 180996-1001 180996-1002 180996-2001 180996-2002 |
|  PLATFORMATICS | 1 Channel Node, POE-LN2-1U-E 2 Channel Node, POE-LN2-2U-E 4 Channel Node, POE-LN2-4U-E |

DRIVE CURRENT SPECIFICS

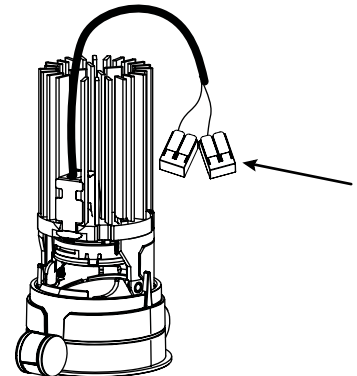
| | 8012D | 9010D | 9009D |
|------------|-------|-------|-------|
| Minimum Vf | 31 | 31 | 31 |
| Maximum Vf | 37 | 37 | 37 |
| Current mA | 280 | 280 | 280 |
| Wattage W | 9.3 | 9.3 | 9.3 |

WIRING DIAGRAM AND HOUSING/REMODEL ENTRY/ EXIT POINTS

HOUSING

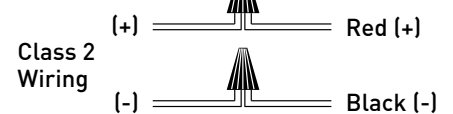


REMODEL



LV CONSTANT
CURRENT SOURCE:
POE NODE OR
REMOTE DRIVER

HOUSING OR
REMODEL
FIXTURE



ATOMOS LVS 2" ROUND ADJUSTABLE

STATIC WHITE PERFORMANCE - 3000K

| LUMEN PACKAGE | WATTAGE | 15° OPTIC SOFT FOCUS FILM | | 25° OPTIC SOFT FOCUS FILM | | 35° OPTIC SOFT FOCUS FILM | | 50° OPTIC SOFT FOCUS FILM | | AW OPTIC ACCENT WASH FILM | |
|---------------|---------|------------------------------|-----|------------------------------|-----|------------------------------|-----|------------------------------|-----|------------------------------|-----|
| | | DELIVERED | LPW | DELIVERED | LPW | DELIVERED | LPW | DELIVERED | LPW | DELIVERED | LPW |
| 8012D | 12 | 920 | 77 | 912 | 76 | 807 | 67 | 857 | 71 | 652 | 54 |
| 9010D | 12 | 779 | 51 | 773 | 64 | 684 | 57 | 726 | 61 | 552 | 46 |
| 9009D | 12 | - | - | 663 | 55 | 587 | 49 | 623 | 52 | 423 | 35 |

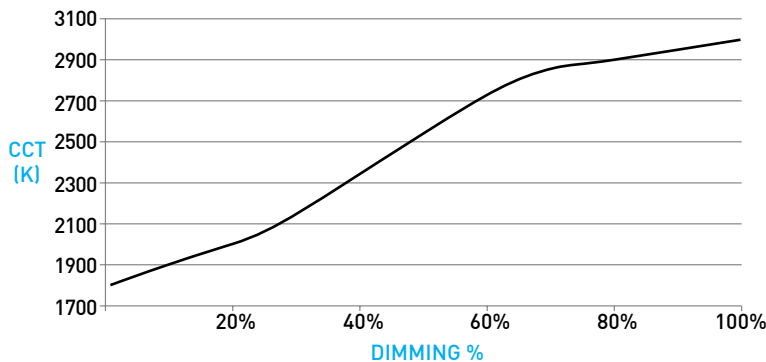
| OUTPUT MULTIPLIER | |
|-------------------|-----------|
| CCT | CCT SCALE |
| 2700K | 0.95 |
| 3000K | 1.00 |
| 3500K | 1.05 |
| 4000K | 1.06 |

| LIGHT LOSS FACTOR | |
|----------------------------|------|
| NO MEDIA | 1.11 |
| SOFT FOCUS | 1 |
| CLEAR | 0.99 |
| HONEYCOMB | 0.77 |
| HONEYCOMB W/ SOFT FOCUS | 0.77 |
| HONEYCOMB W/ CLEAR | 0.76 |

| LUMEN PACKAGE | WATTAGE | 24° Zoom - Position 1 SOFT FOCUS FILM | | 30° Zoom - Position 2 SOFT FOCUS FILM | | 36° Zoom - Position 3 SOFT FOCUS FILM | | 42° Zoom - Position 4 SOFT FOCUS FILM | | 48° Zoom - Position 5 SOFT FOCUS FILM | |
|---------------|---------|--|-----|--|-----|--|-----|--|-----|--|-----|
| | | DELIVERED | LPW | DELIVERED | LPW | DELIVERED | LPW | DELIVERED | LPW | DELIVERED | LPW |
| 8012D | 12 | 803 | 67 | 810 | 67 | 763 | 64 | 731 | 61 | 721 | 60 |
| 9010D | 12 | 680 | 57 | 686 | 57 | 646 | 54 | 619 | 52 | 611 | 51 |

WARM DIM PERFORMANCE - SOFT FOCUS FILM - 35° OPTIC

| 9009D 3000K - 1800K | Full on 100% | Dimmed to 80% | Dimmed to 70% | Dimmed to 50% | Dimmed to 20% | Dimmed to 10% | Dimmed to 2% |
|------------------------|-----------------|------------------|------------------|------------------|------------------|------------------|-----------------|
| CCT (K) | 3000 | 2900 | 2850 | 2550 | 2000 | 1900 | 1800 |
| Light Output (Lm) | 587 | 470 | 411 | 294 | 117 | 59 | 12 |
| Power (W) | 12 | 9.6 | 8.4 | 6 | 2.4 | 1.2 | 0.2 |
| Efficacy (LPW) | 49 | 49 | 49 | 49 | 49 | 49 | 49 |



ATOMOS LVS 2" ROUND ADJUSTABLE

DOWNLIGHT

- A TRIM**
Adjustable - Hot-aim tilt up to 30° and 362° rotation. Sliding pivot point optimizes center beam. Max ceiling thickness for 30° tilt is 1-3/8".

Accent Washer - Requires tilt to be adjusted to 30° for optimal accent washing. Max ceiling thickness for 30° tilt is 1-3/8".
- B STANDARD OPTICS**
Proprietary optic integrates Reflection, Refraction and TIR offering 15°, 25°, 35°, and 50° beams. 25° optic used for optimal accent washing.
- C ADJUSTABLE ZOOM OPTIC**
Proprietary optic integrates Refraction and TIR. Allows precision tuning to beam spreads of 24°, 30°, 36°, 42°, and 48°.
- D HONEYCOMB LOUVER**
Clips onto optic and adjusts with fixture.
- E EFFECTS DEVICES**
Soft focus film or Accent Washer film standard and sealed to baffle for Wet locations. Fixture is limited to 1 film and the honeycomb louver.
- F ADJUSTMENT TOOL**
Minimum 1 provided for every 10 fixtures. Utilizes a 0.050" Allen key driver.

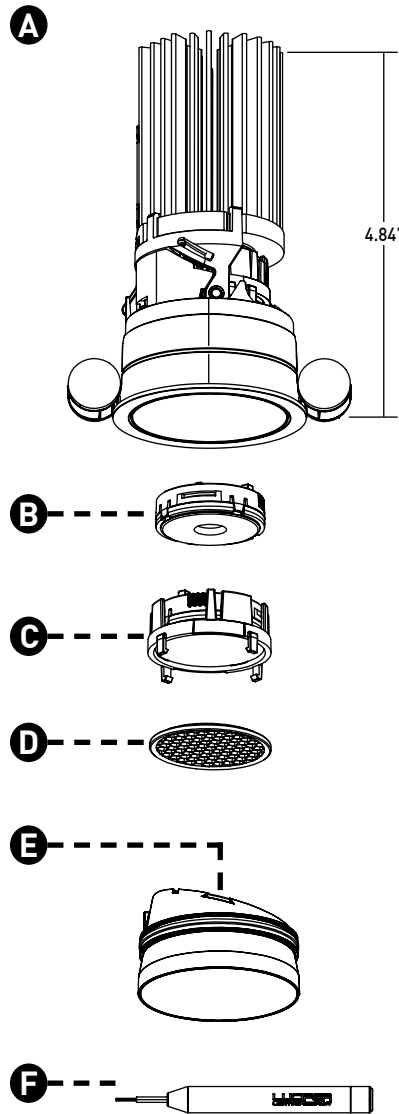
TRIM PROFILES

- **FLANGE OVERLAY**
Installed after ceiling is complete. Requires 2.3125" diameter cutout. Provides 0.16" total contractor (goof) allowance with 0.20" flange. Thickness measures 0.06".
- **TRIMLESS DRYWALL**
Installs totally flush with the ceiling with no visible trim. Appliqué includes screws for mounting and has 0.06" plaster stop. Not recommended for stucco applications.
- **TRIMLESS WOOD**
Installs totally flush with the ceiling with no visible trim. Utilizes the A2RS round standard configuration installed behind the ceiling. See additional information on page 4.

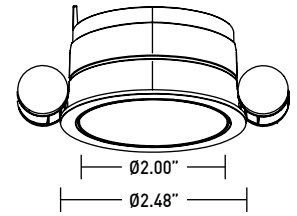
BAFFLE

- **ROUND BAFFLE - A2RS**
Die-cast removable baffle provides easy access to tilting mechanism and features 45° glare cutoff. Minimizes aperture glare and conceals view into housing or ceiling; includes silicone gasket.

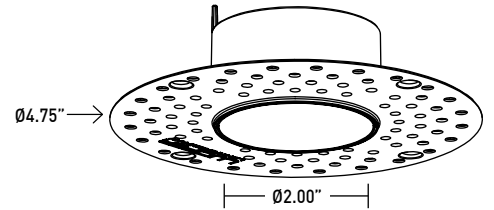
DIMENSIONS / DRAWINGS



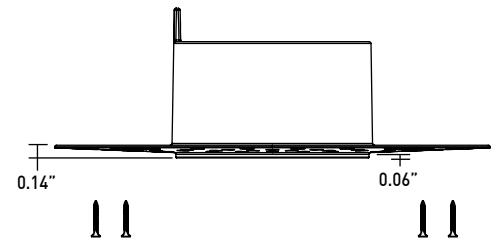
A2RS - FLANGE OVERLAY



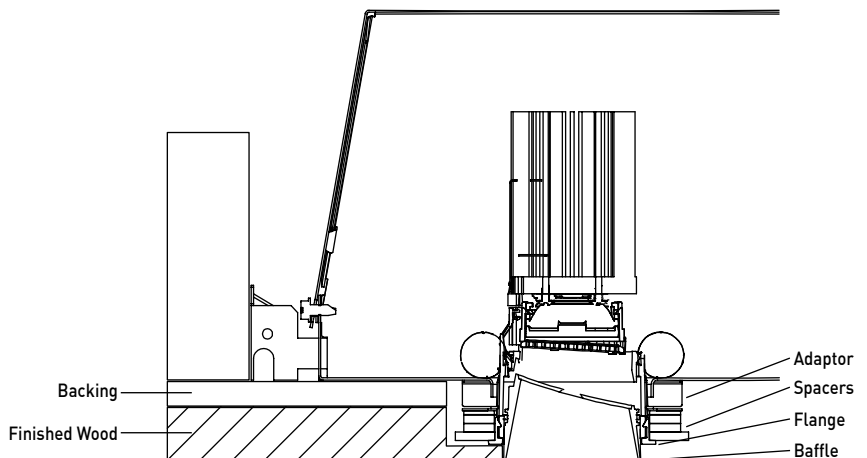
A2RS - TRIMLESS DRYWALL



TRIMLESS DRYWALL APPLIQUÉ DETAIL



TRIMLESS WOOD DETAIL (EXAMPLE)



ATOMOS LVS 2" ROUND ADJUSTABLE

HOUSING

G HOUSING

- For IC or Non-IC ceilings.
- Chicago Plenum and Airtight listed.
- Requires 2.3125" diameter cutout for flange overlay and trimless drywall applications.
- Accommodates max 1090 delivered lumens.
- No setback from polycell spray foam insulation having max R-Value of 60 on all sides and top.

H TRIMLESS WOOD HOUSING ADAPTOR

Ships with housing when trimless wood is specified and provides attachment point for spacers. Requires 3.50" x 3.50" cutout.

I TRIMLESS WOOD SPACERS

Ship with housing when trimless wood is specified; includes (1) 1/16" spacer and (8) 1/8" spacers.

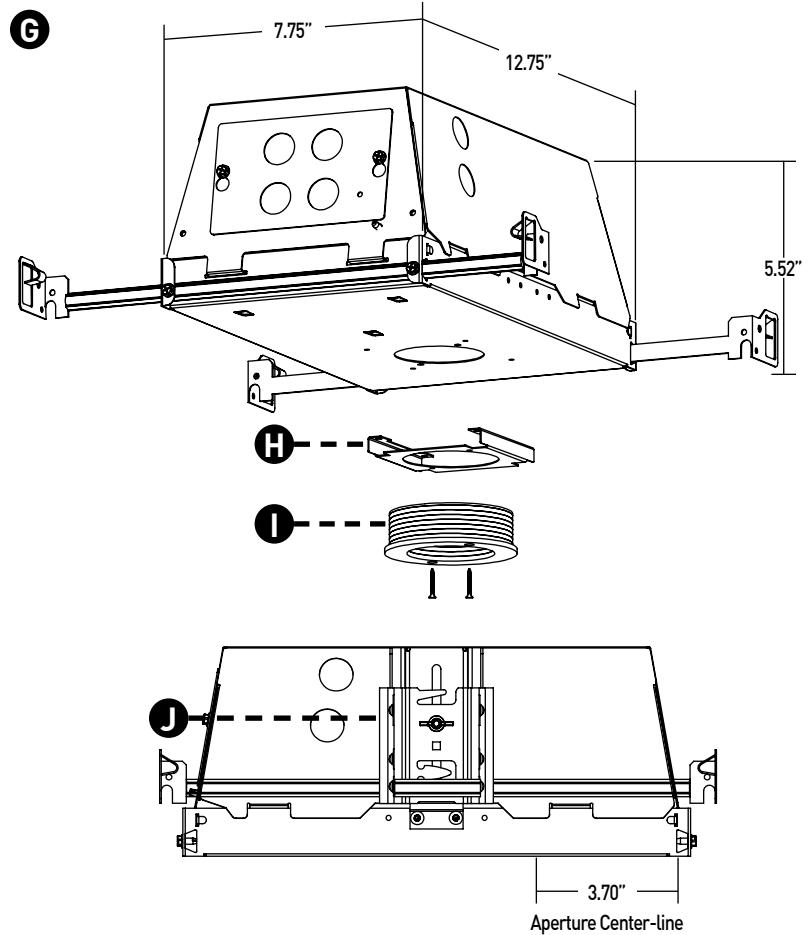
J ADJUSTABLE HANGER BAR HEIGHT ACCESSORY

Specified as DHA-TG-KIT and recommended for installations in T-Grid and with furring channel. Hanger bars are installed to adjustable bracket. Allows housing to be raised and lowered; ceiling thickness remains 0.50" to 2.00" max.

HOUSING NOTES

- Do not install in environments where ambient temperatures exceed 40°C (104°F).
- All splice connections may be serviced from room side.
- Consult factory for spacing requirements for any installations exceeding R-Value 60.
- Hanger bars can be fitted to long or short side of housing; extend from 14.0" to 24.0", but may be field cut to accommodate narrow stud spacing. Can be extended up to 46" maximum with FRX-HBE-46 kit.
- Hanger bars and brackets add 3.16" to the overall dimension but are exclusive of the setback requirements.
- Housings feature a round aperture accommodating ceiling thicknesses between 0.50" and 2.00".

DIMENSIONS / DRAWINGS



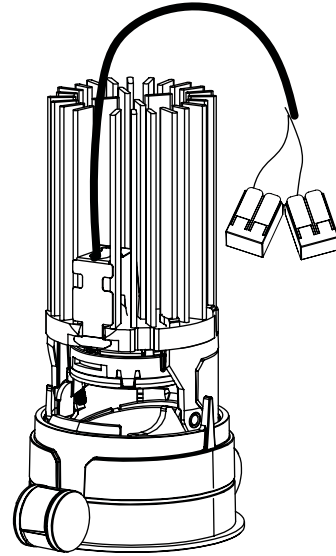
ATOMOS LVS 2" ROUND ADJUSTABLE

REMOTE REMODEL

- **K** REMOTE REMODEL
- Included with "M" Install Type.
- UL2043 listed for air-handling plenum.
- Fixture mounts without conventional housing.
- Minimum 9.25" (235mm) clearance from top of the ceiling plane to allow for driver installation and servicing if necessary.
- Minimum setback from combustible and non-combustible materials of 6.63" (168mm) radius from fixture centerline.
- Minimum additional 3.00" (76mm) setback from insulation material with max R-Value 30 from any surface of downlight fixture assembly.
- Minimum additional 6.00" (152mm) setback from polycell spray foam insulation with max R-Value 60 from any surface of downlight fixture assembly.

DIMENSIONS / DRAWINGS

K



REMODEL NOTES

- Do not install in environments where ambient temperatures exceed 40°C (104°F).
- All splice connections may be serviced from room side.
- Consult factory for spacing requirements for any installations exceeding R-Value 60.

ATOMOS LVS 2" ROUND ADJUSTABLE

TECHNICAL

CONSTRUCTION

Downlight: Painted finishes are granulated powder coat.

Housing: Aluminum and 22 Gauge galvanized steel.

Appliqué: High strength fiber reinforced polymer.

STATIC WHITE LED

2-step MacAdam ellipse LED module available in 80+ and 90+ CRI configurations in color temperatures of 2700K, 3000K, 3500K and 4000K. Average rated lamp life: 50,000 hours. LED assemblies are field-replaceable.

WARM DIM LED

3-step MacAdam ellipse warm dim LED module available in 90+ CRI configuration. 3000K at full brightness, warming to 1800K at full dim. Average rated lamp life of 50,000 hours. LED assemblies are field-replaceable.

LISTING

cTUVus listed to UL2108 standard for Dry / Damp and Wet locations. Chicago Plenum and Airtight Listed.

BUY AMERICAN ACT

All Atomos configurations are Buy American Act compliant.

WARRANTY

Manufacturer's 1-year warranty guarantees product(s) listed to be free from defects in material and workmanship under normal use and service. 5-year warranty on LED to operate with 70% of the original flux and remain within a range of 3 duv. Warranty period begins from the date of shipment. Consult website for full warranty terms and conditions.