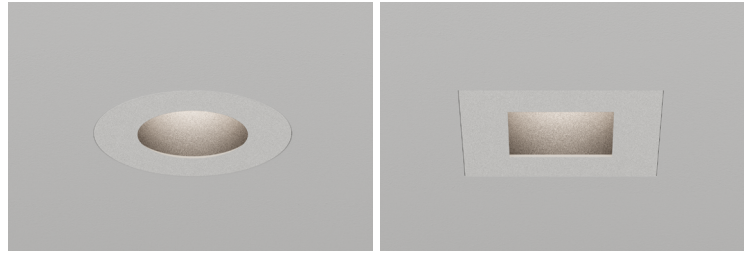


# ATOMOS™ LVS

## 1" PINHOLE ADJUSTABLE

A miniature downlight range offering impressive performance in an extremely small profile with a 1" aperture and 2" overall diameter. Available in zero-sightline for both drywall and millwork applications.

PROJECT NAME:	TYPE:
---------------	-------



### ORDERING INFORMATION - TRIM / HOUSING

TRIM	TRIM TYPE	FIXTURE TYPE	RATING	TRIM FINISH	BAFFLE FINISH	LUMEN PACKAGE	CCT	OPTIC	INSTALL TYPE	DRIVER	EFFECTS DEVICE
		<b>AD</b>			<b>BK</b>					<b>LVS</b>	
A2RP 1" Round Pinhole	T Zero-Sightline Drywall	AD Adjustable* *(30" max Tilt)	1 Dry/Damp (IP20)	WH White BK Black	BK Black	<b>STATIC WHITE</b> 8012D 80+ CRI, Delivered Lumens - 469 9010D 90+ CRI, Delivered Lumens - 397	27 2700K 30 3000K 35 3500K 40 4000K	15 15° 25 25° 35 35° 50 50°	0.5" - 2.0" MAX CEILING THICKNESS  REMOTE DRIVER  AZ Adjustable Zoom* *(24°, 30°, 36°, 42° and 48° beam spreads)	LVS Low Voltage System	<b>STANDARD</b> 4 Soft Focus Film  <b>ALTERNATE</b> 0 No Media* *(Not available for Wet Location, Warm Dim, or Airtight Housings) 2 Honeycomb Louver* *(Not available for Wet Location, Warm Dim, or Airtight Housings) 3 Clear Film* *(Not available for Warm Dim) S Honeycomb Louver w/ Soft Focus Film C Honeycomb Louver w/ Clear Film* *(Not available for Warm Dim)
A2SP 1" Square Pinhole	W Zero-Sightline Wood* *(Not available for Square A2SP, or remodel installations)		2 Wet (IP44)	AG Satin Silver		<b>WARM DIM</b> 9009D 90+ CRI, Delivered Lumens - 341	WD 3000K - 1800K	25 25° 35 35° 50 50°	IC, Remote T Non-IC, Remote D IC, Airtight, Remote* *(Chicago Plenum & Airtight compliant housing!)		
						*ALL DELIVERED LUMEN OUTPUTS REFLECT 3000K PAIRED WITH 25° OPTIC AND SOFT FOCUS FILM.					



### PART NUMBER NOTES

- Trim ships as e.g., A2RPTAD1AGBK-9010D30-AZS-LVS4
- Housing ships as e.g., ITS-A2R-280A-LVS

### ACCESSORIES

#### ALTERNATE EFFECTS DEVICE

Attaches to optic.

- HCL-AP** Honeycomb Louver\*  
\*(Not available for Warm Dim unless paired with Soft Focus Film. Not available for wet location unless paired with film)

#### REPLACEMENT TRIM AND BAFFLE

Effects device sealed in place.

- RBA-A2RP-CGL-\*\*** Round Pinhole, Clear Film\*  
\*(Not available for Warm Dim)  
 **RBA-A2SP-CGL-\*\*** Square Pinhole, Clear Film\*  
\*(Not available for Warm Dim)  
 **RBA-A2RP-SFL-\*\*** Round Pinhole, Soft Focus Film  
 **RBA-A2SP-SFL-\*\*** Square Pinhole, Soft Focus Film

\*\* Trim finish: Specify WH for White, BK for Black, or AG for Satin Silver.

#### REPLACEMENT OPTICS

Interchangeable optics accessible through fixture aperture.

- RO-A-15-1** 15° optic\*  
\*(Not available for Warm Dim)  
 **RO-A-25-1** 25° optic  
 **RO-A-35-1** 35° optic  
 **RO-A-50-1** 50° optic  
 **RO-A-AZ-1** Adjustable zoom optic\*  
\*(24°, 30°, 36°, 42° and 48° beam spreads. Not available for Warm Dim)

#### T-GRID ACCESSORY KIT

Recommended for installations in T-Grid and furring channel up to 1.5" tall.

- DHA-TG-KIT**

#### HANGER BAR EXTENDER KIT

Extends hanger bars from 24.0" to 46.0" maximum.




- FRX-HBE-46** Extender, Hanger Bar

# ATOMOS LVS 1" PINHOLE ADJUSTABLE

## APPLICATION NOTES

- Lucifer Lighting will not supply a fixture with a POE node or power supply inside the fixture. This allows for easier site install with nodes of 2 or more outputs.
- Consult node manufacturer for maximum remote wiring distances.
- Housing and Fixture feature 18 Gauge wiring.
- Wiring connections are made in the splicing compartment or on the fixture using customer supplied connectors, ex. wire nuts, push-in connectors, or terminal blocks.
- Confirm node compatibility with factory if it is not listed.
- Customers are responsible for ensuring POE node drive current is set to correct values shown below.
- Customers must ensure voltage range of the proposed POE node encompasses the fixtures complete Vf range, both maximum and minimum. If assistance is required contact LLC rep or factory.

## NODE COMPATIBILITY

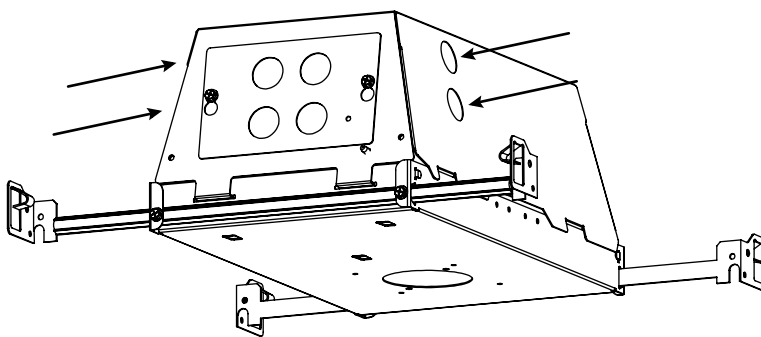
Manufacturer	Model Number
 Igor Enabling Smart Buildings™	NP50-60-C-F-5
 molex	180996-1001 180996-1002 180996-2001 180996-2002
 PLATFORMATICS	1 Channel Node, POE-LN2-1U-E 2 Channel Node, POE-LN2-2U-E 4 Channel Node, POE-LN2-4U-E

## DRIVE CURRENT SPECIFICS

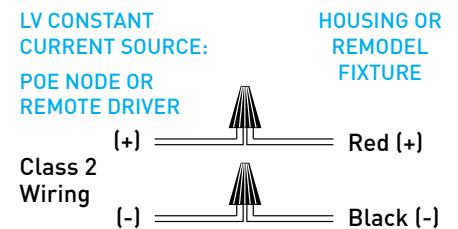
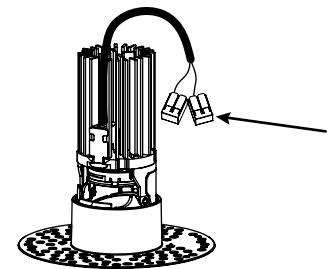
	8012D	9010D	9009D
Minimum Vf	31	31	31
Maximum Vf	37	37	37
Current mA	280	280	280
Wattage W	9.3	9.3	9.3

## WIRING DIAGRAM AND HOUSING/REMODEL ENTRY/ EXIT POINTS

HOUSING



REMODEL



# ATOMOS LVS 1" PINHOLE ADJUSTABLE

## STATIC WHITE PERFORMANCE - 3000K

LUMEN PACKAGE	WATTAGE	15° OPTIC SOFT FOCUS FILM		25° OPTIC SOFT FOCUS FILM		35° OPTIC SOFT FOCUS FILM		50° OPTIC SOFT FOCUS FILM	
		DELIVERED	LPW	DELIVERED	LPW	DELIVERED	LPW	DELIVERED	LPW
8012D	12	473	39	469	39	415	35	440	37
9010D	12	400	33	397	33	352	29	373	31
9009D	12	-	-	341	28	302	25	320	27

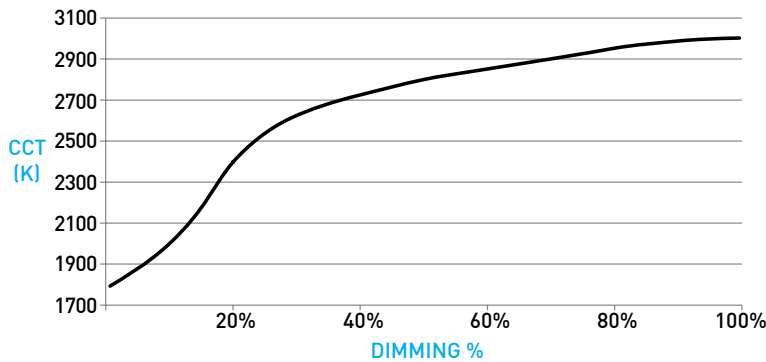
OUTPUT MULTIPLIER	
CCT	CCT SCALE
2700K	0.95
3000K	1.00
3500K	1.05
4000K	1.06

LIGHT LOSS FACTOR	
NO MEDIA	1.11
SOFT FOCUS	1
CLEAR	0.99
HONEYCOMB	0.77
HONEYCOMB W/ SOFT FOCUS	0.77
HONEYCOMB W/ CLEAR	0.76

LUMEN PACKAGE	WATTAGE	24° Zoom - Position 1 SOFT FOCUS FILM		30° Zoom - Position 2 SOFT FOCUS FILM		36° Zoom - Position 3 SOFT FOCUS FILM		42° Zoom - Position 4 SOFT FOCUS FILM		48° Zoom - Position 5 SOFT FOCUS FILM	
		DELIVERED	LPW	DELIVERED	LPW	DELIVERED	LPW	DELIVERED	LPW	DELIVERED	LPW
8012D	12	487	41	491	41	462	39	443	37	437	36
9010D	12	412	34	416	35	392	33	375	31	371	31

## WARM DIM PERFORMANCE - SOFT FOCUS FILM - 35° OPTIC

9009D 3000K - 1800K	Full on 100%	Dimmed to 80%	Dimmed to 70%	Dimmed to 50%	Dimmed to 20%	Dimmed to 10%	Dimmed to 2%
CCT (K)	3000	2950	2900	2800	2400	2000	1800
Light Output (Lm)	302	242	211	151	60	30	6
Power (W)	12	9.6	8.4	6	2.4	1.2	0.2
Efficacy (LPW)	25	25	25	25	25	25	25



# ATOMOS LVS 1" PINHOLE ADJUSTABLE

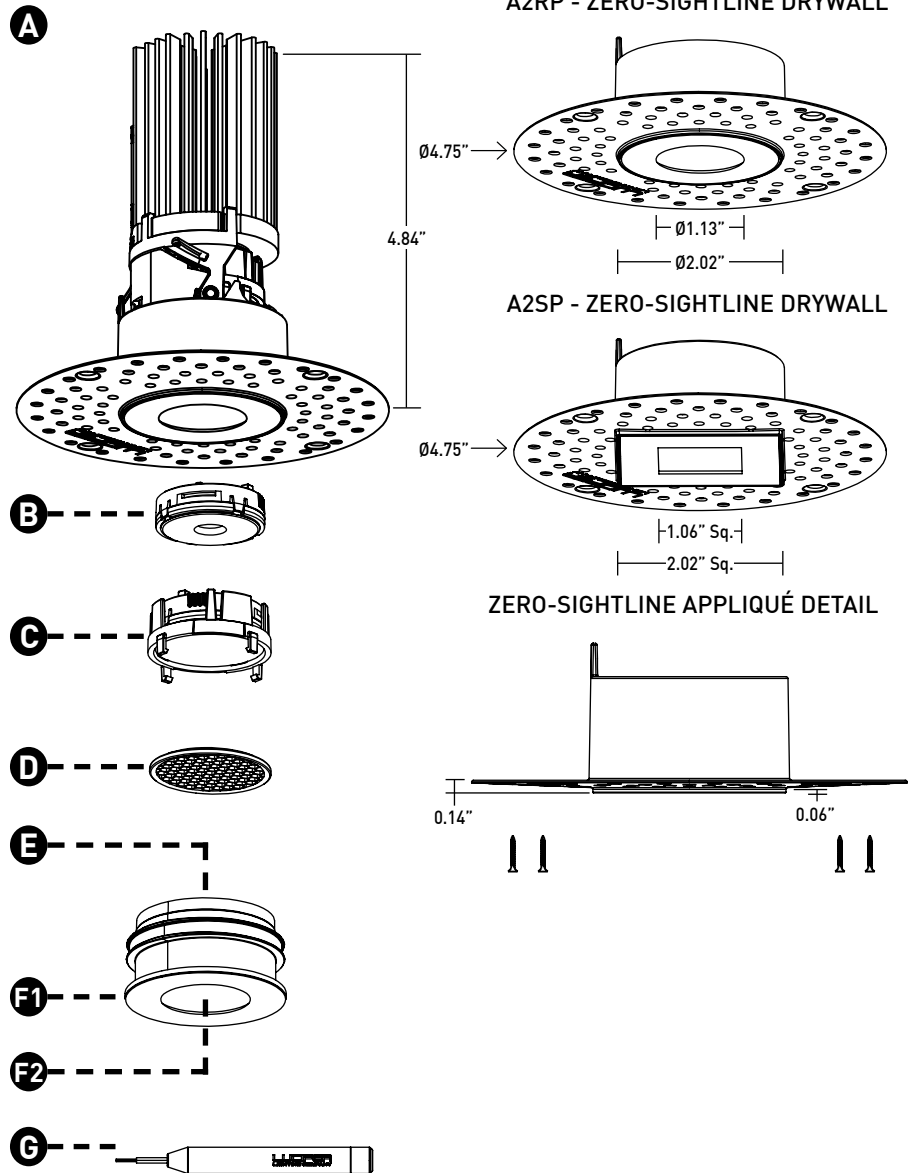
## DOWNLIGHT

- A TRIM**  
Hot-aim tilt up to 30° and 362° rotation. Sliding pivot point optimizes center beam. Max ceiling thickness for 30° tilt is 1-1/2".
- B STANDARD OPTICS**  
Proprietary optic integrates Reflection, Refraction and TIR offering 15°, 25°, 35°, and 50° beams.
- C ADJUSTABLE ZOOM OPTIC**  
Proprietary optic integrates Refraction and TIR. Allows precision tuning to beam spreads of 24°, 30°, 36°, 42°, and 48°.
- D HONEYCOMB LOUVER**  
Clips onto optic and adjusts with fixture.
- E EFFECTS DEVICES**  
Soft focus film standard and sealed to baffle. Fixture is limited to 1 film and the honeycomb louver.
- BAFFLE**  
Die-cast removable baffle features 35° glare cutoff. Minimizes aperture glare and conceals view into housing or ceiling; includes silicone gasket.
- Exterior finish **F1** is specified in "Trim Finish" section.  
Interior finish **F2** is specified in "Baffle Finish" section and is only available in black.
- G ADJUSTMENT TOOL**  
Minimum 1 provided for every 10 fixtures. Utilizes a 0.050" Allen key driver.

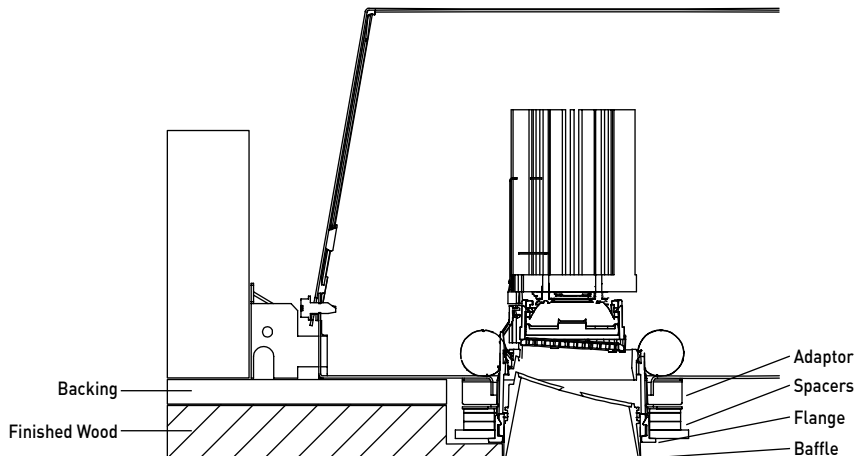
## TRIM PROFILE

- **ZERO-SIGHTLINE DRYWALL**  
Installs totally flush with the ceiling with no visible trim. Appliqué includes screws for mounting and has 0.06" plaster stop. Not recommended for stucco applications.
- **ZERO-SIGHTLINE WOOD**  
Only available for A2RP. Installs totally flush with the ceiling with no visible trim. Utilizes the A2RS round standard configuration installed behind the ceiling. See additional information on page 4.

## DIMENSIONS / DRAWINGS



## ZERO-SIGHTLINE WOOD DETAIL (EXAMPLE)



# ATOMOS LVS 1" PINHOLE ADJUSTABLE

## HOUSING

- G HOUSING**
  - For IC or Non-IC ceilings.
  - Chicago Plenum and Airtight listed.
  - Requires 2.3125" diameter cutout for flange overlay and trimless drywall applications.
  - Accommodates max 1090 delivered lumens.
  - No setback from polycell spray foam insulation having max R-Value of 60 on all sides and top.
- H TRIMLESS WOOD HOUSING ADAPTOR**

Ships with housing when trimless wood is specified and provides attachment point for spacers. Requires 3.50" x 3.50" cutout.
- I TRIMLESS WOOD SPACERS**

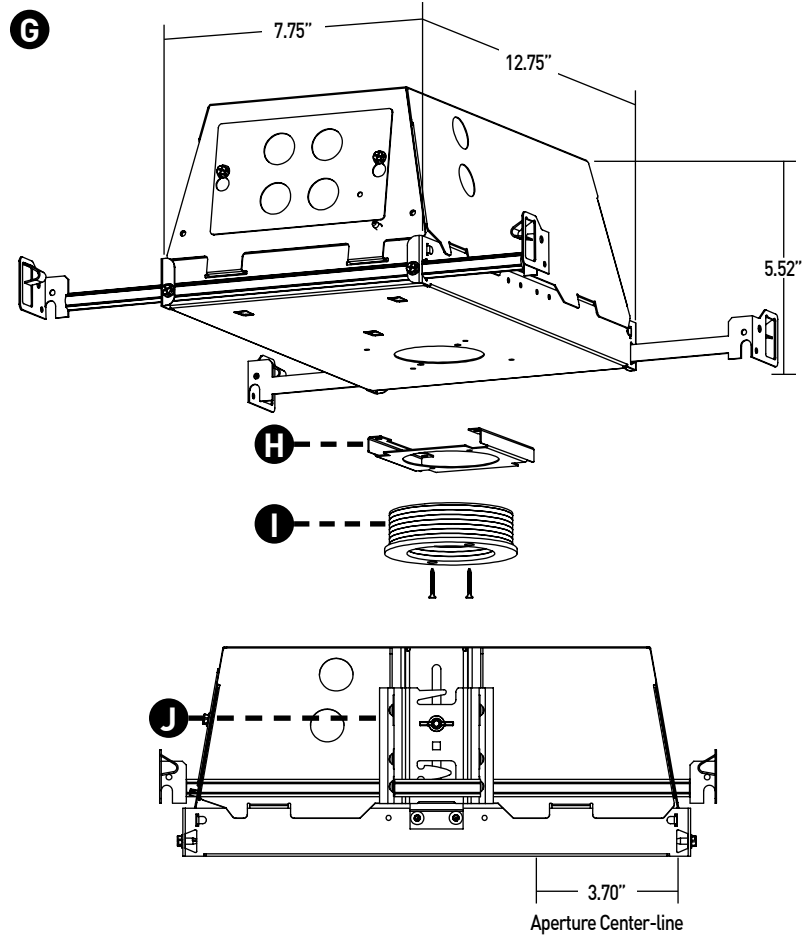
Ship with housing when trimless wood is specified; includes (1) 1/16" spacer and (8) 1/8" spacers.
- J ADJUSTABLE HANGER BAR HEIGHT ACCESSORY**

Specified as DHA-TG-KIT and recommended for installations in T-Grid and with furring channel. Hanger bars are installed to adjustable bracket. Allows housing to be raised and lowered; ceiling thickness remains 0.50" to 2.00" max.

## HOUSING NOTES

- Do not install in environments where ambient temperatures exceed 40°C (104°F).
- All splice connections may be serviced from room side.
- Consult factory for spacing requirements for any installations exceeding R-Value 60.
- Hanger bars can be fitted to long or short side of housing; extend from 14.0" to 24.0", but may be field cut to accommodate narrow stud spacing. Can be extended up to 46" maximum with FRX-HBE-46 kit.
- Hanger bars and brackets add 3.16" to the overall dimension but are exclusive of the setback requirements.
- Housings feature a round aperture accommodating ceiling thicknesses between 0.50" and 2.00".

## DIMENSIONS / DRAWINGS

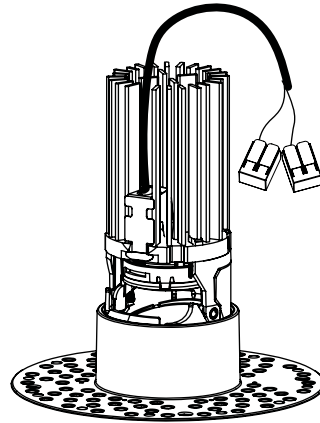


# ATOMOS LVS 1" PINHOLE ADJUSTABLE

## REMOTE REMODEL

- **K** REMOTE REMODEL
- Included with "M" Install Type.
- UL2043 listed for air-handling plenum.
- Fixture mounts without conventional housing.
- Minimum 9.25" (235mm) clearance from top of the ceiling plane to allow for driver installation and servicing if necessary.
- Minimum setback from combustible and non-combustible materials of 6.63" (168mm) radius from fixture centerline.
- Minimum additional 3.00" (76mm) setback from insulation material with max R-Value 30 from any surface of downlight fixture assembly.
- Minimum additional 6.00" (152mm) setback from polycell spray foam insulation with max R-Value 60 from any surface of downlight fixture assembly.

**K**



## REMODEL NOTES

- Do not install in environments where ambient temperatures exceed 40°C (104°F).
- All splice connections may be serviced from room side.
- Consult factory for spacing requirements for any installations exceeding R-Value 60.

# ATOMOS LVS 1" PINHOLE ADJUSTABLE

## TECHNICAL

### CONSTRUCTION

Downlight: Painted finishes are granulated powder coat.

Housing: Aluminum and 22 Gauge galvanized steel.

Appliqué: High strength fiber reinforced polymer.

### STATIC WHITE LED

2-step MacAdam ellipse LED module available in 80+ and 90+ CRI configurations in color temperatures of 2700K, 3000K, 3500K and 4000K. Average rated lamp life: 50,000 hours. LED assemblies are field-replaceable.

### WARM DIM LED

3-step MacAdam ellipse warm dim LED module available in 90+ CRI configuration. 3000K at full brightness, warming to 1800K at full dim. Average rated lamp life of 50,000 hours. LED assemblies are field-replaceable.

### LISTING

cTUVus listed to UL2108 standard for Dry / Damp and Wet locations. Chicago Plenum and Airtight Listed.

### BUY AMERICAN ACT

All Atomos configurations are Buy American Act compliant.

### WARRANTY

Manufacturer's 1-year warranty guarantees product(s) listed to be free from defects in material and workmanship under normal use and service. 5-year warranty on LED to operate with 70% of the original flux and remain within a range of 3 duv. Warranty period begins from the date of shipment. Consult website for full warranty terms and conditions.