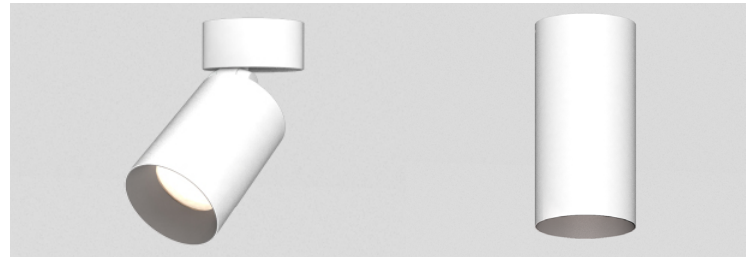


CYLINDER CY4 INTERNATIONAL SURFACE MOUNT

Highlight art, objects, places, spaces, seating areas, and architectural details with a classic profile that offers easy-to-adjust, in-field versatility.

PROJECT NAME:	TYPE:
---------------	-------



ORDERING INFORMATION

CYLINDER	FIXTURE	RATING	CYLINDER FINISH	BAFFLE FINISH	LUMEN PACKAGE	CCT	OPTIC	DRIVER	EFFECTS DEVICE	MOUNTING
CY4										
CY4 4.90"	AD Standard 90° Adjustable FB Fixed Body WW Wallwash	1 Dry/Damp (IP30) 2 Wet (IP54)	WH White BK Black AB Architectural Bronze AG Satin Silver CF Custom Finish* <small>*(Consult Factory)</small>	WH White BK Black AB Architectural Bronze AG Satin Silver AU Cashmere Gold CF Custom Finish* <small>*(Consult Factory)</small>	STATIC WHITE 80C34B 80+ CRI, AD/FB Dlvd. Lumens - 2378 WW Dlvd. Lumens - 2111 80C45B 80+ CRI, AD/FB Dlvd. Lumens - 3513 WW Dlvd. Lumens - 3118 80C55B 80+ CRI, AD/FB Dlvd. Lumens - 4303 WW Dlvd. Lumens - 3811 90C29B 90+ CRI, AD/FB Dlvd. Lumens - 2251 WW Dlvd. Lumens - 1998 90C39B 90+ CRI, AD/FB Dlvd. Lumens - 3009 WW Dlvd. Lumens - 2671 90C47B 90+ CRI, AD/FB Dlvd. Lumens - 3678 WW Dlvd. Lumens - 3265	27 2700K 30 3000K 35 3500K 40 4000K	15 15° 25 25° 40 40° 60 60° WW Wallwash Optic* <small>*(Required for Wallwash fixtures)</small>	INTEGRAL (220-240V) 2IG 1% 0-10V Analog, LOG 2IN 1% 0-10V Analog, LIN REMOTE (220-240V) 2EG eldoLED, SOLdrive 0.1% 0-10V, LOG 2EN eldoLED, SOLdrive 0.1% 0-10V, LIN 2ED eldoLED, SOLdrive 0.1% DALI, LOG	STANDARD EFFECTS DEVICE 4 Soft Focus Lens W Wallwash Lens* <small>*(Required for Wallwash fixtures)</small> OPTIONAL EFFECTS DEVICE 0 No Lens* <small>*(Not available for IP54 Wet locations)</small> 2 Honeycomb Louver* <small>*(Not available for IP54 Wet locations)</small> 3 Clear Glass Lens 5 Frosted Glass Lens 6 Frosted Soft Focus Lens 7 Frosted Linear Spread Lens	EXMP Export Mounting Plate CMJB 1/2" and 3/4" Conduit Ceiling Mount Junction Box* <small>*(Not available for IP54 Wet locations)</small>
					TUNABLE WHITE 90T20B 90+ CRI, AD/FB Dlvd. Lumens - 1874 WW Dlvd. Lumens - 1306 90T30B 90+ CRI, AD/FB Dlvd. Lumens - 2811 WW Dlvd. Lumens - 2113	TW 5000K - 2700K	TUNABLE WHITE REMOTE (220-240V) 2DD eldoLED, DUALdrive 0.1% DALI, LOG			



PART NUMBER NOTES

- CY4-AD ships as e.g., CY4AD1WHBK90C29B342IG*4
- CY4-FB ships as e.g., CY4FB1WHBK80C34B4421G*4
- CY4-WW ships as e.g., CY4WW1WHBK90C29B352IG*W
- Remote driver ships as e.g., PSCY4-INT-90C-29B-EG*
- CMJB ships as CY4-CMJB-(finish)

CYLINDER CY4 INTERNATIONAL SURFACE MOUNT

ACCESSORIES

ALTERNATE EFFECTS DEVICES

- HCL-CY4-01** Honeycomb Louver *
*(Not available for Wet location)
- CGL-CY4-01** Clear Glass Lens
- SFL-CY4-01** Soft Focus Lens
- FGL-CY4-01** Frosted Glass Lens
- FSFL-CY4-01** Frosted Soft Focus Lens
- FLSL-CY4-01** Frosted Linear Spread Lens

REPLACEMENT OPTIC ASSEMBLIES

- RO-90-15** 15° optic
- RO-90-25** 25° optic
- RO-90-40** 40° optic
- RO-90-60** 60° optic
- RO-90-WW** Wallwash optic

PERFORMANCE - 3000K - STANDARD EFFECTS DEVICE

LUMEN PACKAGE	WATTAGE	15° OPTIC		25° OPTIC		40° OPTIC		60° OPTIC		WALLWASH OPTIC	
		DELIVERED	LPW	DELIVERED	LPW	DELIVERED	LPW	DELIVERED	LPW	DELIVERED	LPW
80C34B	28	2301	82	2335	83	2378	85	2185	78	2111	75
80C45B	39	3399	87	3449	88	3513	90	3228	83	3118	80
80C55B	50	4164	83	4225	84	4303	86	3955	79	3811	76
90C29B	28	2178	78	2210	79	2251	80	2068	74	1998	71
90C39B	39	2912	75	2954	76	3009	77	2765	71	2671	68
90C47B	50	3559	71	3611	72	3678	74	3380	68	3265	65
90T20B	31	1757	57	1805	58	1874	60	1720	55	1306	42
90T30B	49	2636	54	2708	55	2811	57	2580	53	2113	43

STATIC WHITE OUTPUT MULTIPLIER	
CCT	CCT SCALE
2700K	0.957
3000K	1.000
3500K	1.019
4000K	1.030

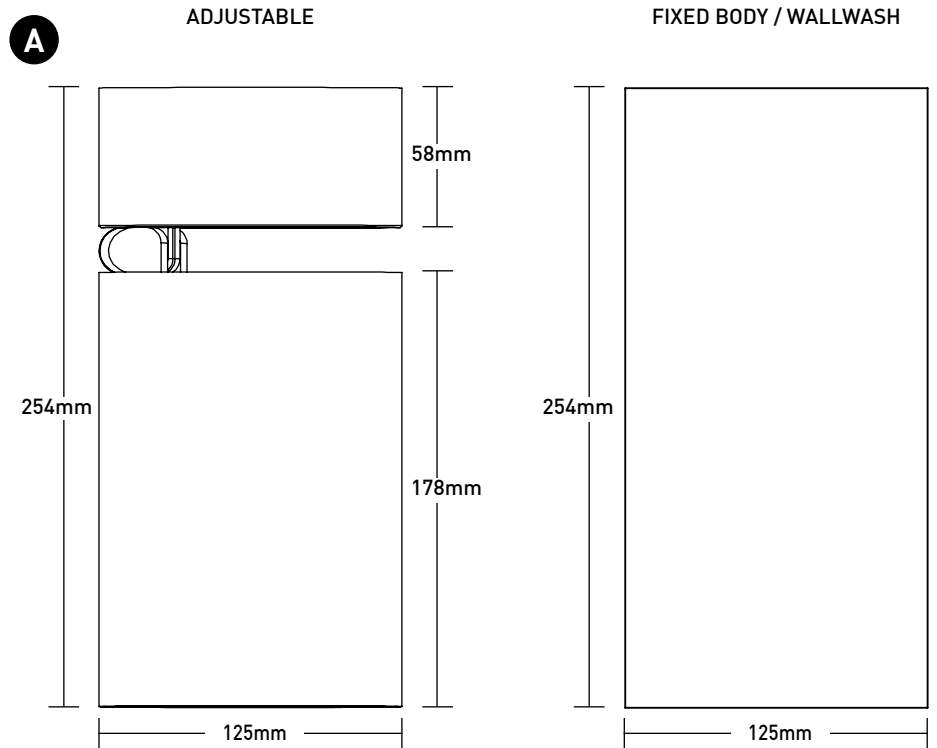
LIGHT LOSS FACTOR MULTIPLIER	
No Lens	Multiplier
No Lens	1.05
CGL	1.05
SFL	1.00
FGL	0.90
FSFL	0.87
FLSL	0.83
HCL	0.65

CYLINDER CY4 INTERNATIONAL SURFACE MOUNT

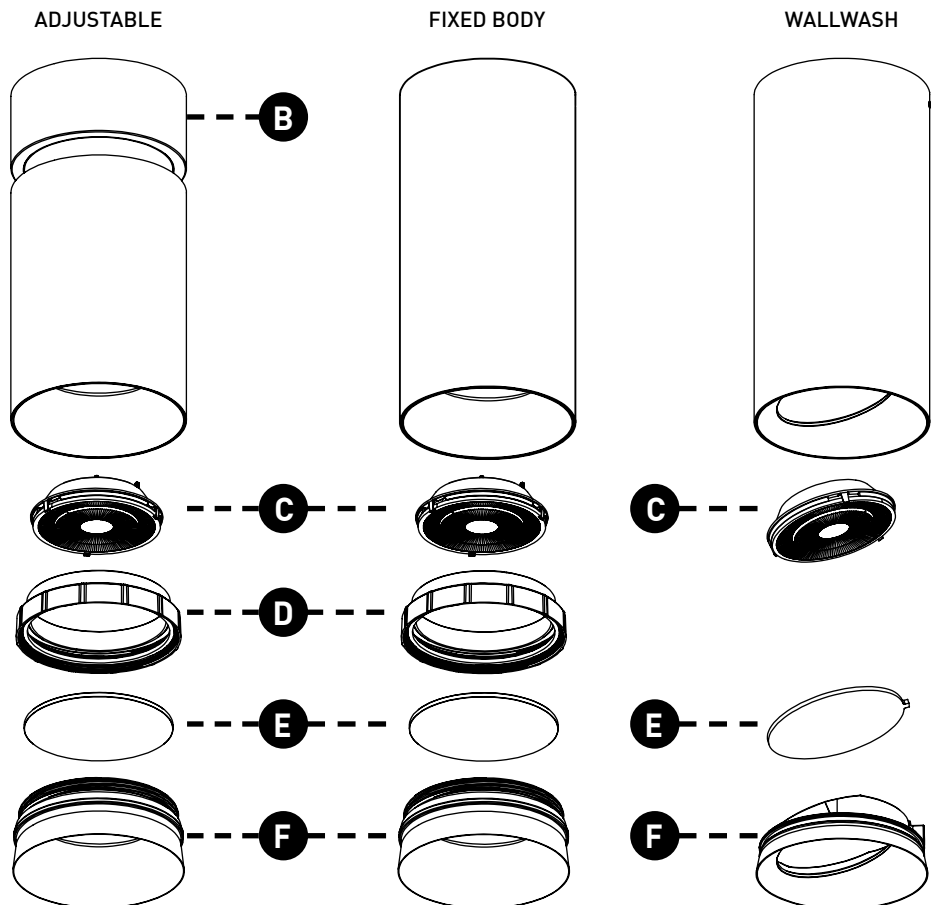
FIXTURE

- A LUMINAIRE**
Body with integrated heat sink and LED. Conceals hidden twist-on mounting hardware. Power supply may be integral or remote mount.
- B ADJUSTABLE CANOPY**
Die-cast canopy accommodates flat and sloped ceiling conditions. Conceals hidden twist-on mounting hardware. Features 90° tilt and 58mm tall canopy. Available with integral or remote driver.
- C ADJUSTABLE AND FIXED BODY OPTIC**
Field-changeable optics available in 15°, 25°, 40° and 60° beams.
WALLWASH OPTIC
Precision tuned kick reflector and optic provide uniform wallwashing effect.
- D ADJUSTABLE AND FIXED BODY LENS RETAINER**
Threaded lens retainer attaches to baffle and accommodates up to two effects devices.
- E ADJUSTABLE AND FIXED BODY EFFECTS DEVICE**
Soft focus lens standard. Effects device is field-changeable in Dry/Damp and Wet locations.
WALLWASH EFFECTS DEVICE
Wallwash lens is fixed to baffle and not field changeable.
- F BAFFLE**
Die-cast baffle minimizes aperture glare and conceals view into fixture.

DIMENSIONS / DRAWINGS



Fixture Weight - 6.0 lbs



CYLINDER CY4 INTERNATIONAL SURFACE MOUNT

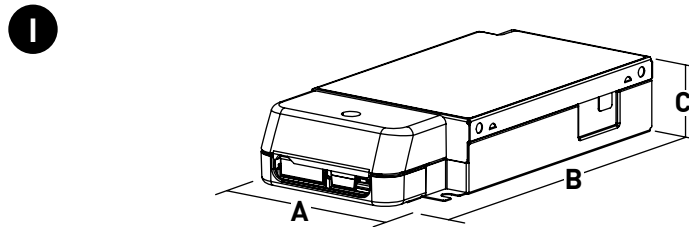
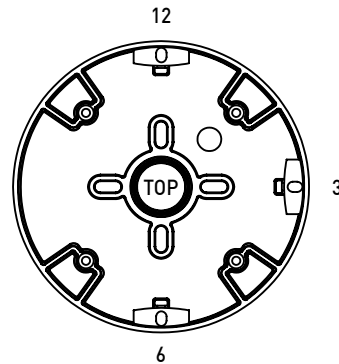
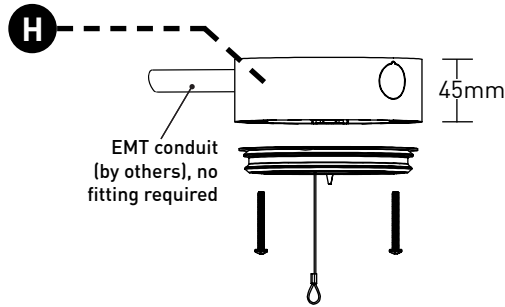
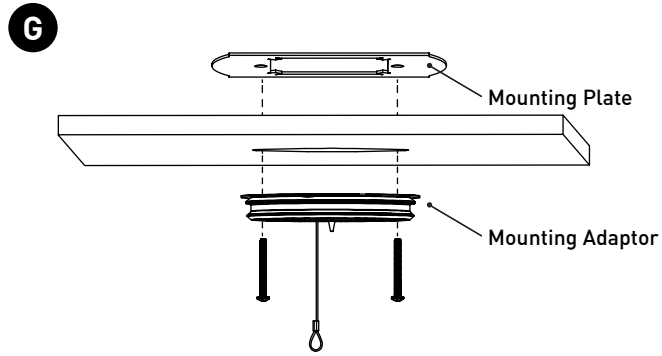
MOUNTING

- G MOUNTING ASSEMBLY**
Surface mounted, does not require installation prior to rough-in. Mounting plate sits atop ceiling for attachment of mounting adaptor. Fixture mounts flush with minimalist transition to ceiling.
- H CMJB**
Ceiling mount junction box perfectly matches the cylinder profile for a continuous, integrated look where exposed ceiling mount junction box and conduit applications apply. For use with 1/2" and 3/4" EMT conduit only. Features three conduit entrances at 12, 3, and 6 o'clock plus one conduit knockout on top. Painted finishes only. Blank off plugs included.

REMOTE POWER SUPPLY

- I PS-RMT**
Do not install in environments where ambient temperatures exceed 35°C (95°F). Remote power supply provides additional driver options. Mounting device still required. Consult install guide for maximum allowable secondary run lengths between PS-RMT and fixture.

DIMENSIONS / DRAWINGS



POWER SUPPLY DIMENSIONS			
Model	A	B	C
2EG (30W)	41mm	210mm	34mm
2EN (30W)			
2ED (30W)			
2EG (50W)	76mm	152mm	30mm
2EN (50W)			
2ED (50W)			
2DD			

CYLINDER CY4 INTERNATIONAL SURFACE MOUNT

TECHNICAL

CONSTRUCTION

Cylinder: Machined aluminum body; extruded aluminum internal heat-sink; painted finishes are granulated powder coat.

CMJB: Die-cast aluminum body; painted finishes are granulated powder coat.

Remote Power Supply: Varies. Consult factory for additional information.

LED

Proprietary Citizen 2 step MacAdam ellipse LED module available in 80+ and 90+ CRI configurations in color temperatures of 2700K, 3000K, 3500K and 4000K. Average rated lamp life of 50,000 hours. Driver assemblies are field-replaceable.

TUNABLE WHITE LED

Proprietary 5-step MacAdam ellipse tunable white LED module available in 90+ CRI configuration. Features tuning range of 2700K to 5000K. Average rated lamp life: 50,000 hours. Driver assembly is field-replaceable.

POWER SUPPLY PERFORMANCE AND DIMMING INFORMATION

Power Supply	2IG	2IN	2EG	2EN	2ED	2DD
Minimum °C	-10 °C	-10 °C	-20 °C	-20 °C	-20 °C	-20 °C
Maximum °C	40 °C	40 °C	40 °C	40 °C	40 °C	40 °C
Dimming %	1.0%	1.0%	0.1%	0.1%	0.1%	0.1%

Note: 2EG and 2EN drivers consult chart on page 6 to confirm appropriate dimming curve for compatibility with selected control.

MOUNTING

Cylinder is supplied with a mounting adaptor, which integrates with mounting plate and accommodates ceiling thicknesses of 12mm to 19mm. Ceiling-mount junction box available for 13mm and 19mm conduit and features concealed internal clamps for clean fitting-free conduit exit and entry.

WALLWASH SPACING

Recommended fixture spacing is 48" on center with 48" setback from wall plane.

LISTING

CE listed standard for Dry / Damp (IP30) and Wet (IP54) locations.

WARRANTY

Manufacturer's 1-year warranty guarantees product(s) listed to be free from defects in material and workmanship under normal use and service. 5-year warranty on LED and power supply to operate with 70% of the original flux and remain within a range of 3 duv. Warranty period begins from the date of shipment by Seller and conditional upon the use of manufacturer-supplied power supply. Consult [website](#) for full warranty terms and conditions.

CYLINDER CY4 INTERNATIONAL SURFACE MOUNT

DIMMING COMPATIBILITY

eldoLED DRIVER COMPATIBILITY

Power supply 2EG / 2EN Dimmer / Switch Control Manufacturer	Family/Model #
Busch-Jaeger	2112U-101
Jung	240-10
Leviton Lighting Controls	IP710-DLX
Lightolier Controls	ZP600FAM120
Lutron Electronics	Nova T® - NTFTV
Lutron Electronics	Diva® - DDTV
Lutron Electronics	Nova® - NFTV
Merten	5729
Pass & Seymour	CD4FB-W
The Watt Stopper	DCLV1
Sensor Switch	nI0 EZ
Synergy	ISD BC
Power supply 2EG / 2EN Lighting Control Systems Manufacturer	Family/Model #
Lutron Electronics	GrafixEye® GRX-TVI w GRX3503
Lutron Electronics	Energy Savr Node™ - QSN-4T16-S
Lutron Electronics	TVM2 Module
Crestron®	GLX-DIMFLV8
Crestron®	GLXP-DIMFLV8
Crestron®	GLPAC-DIMFLV4-*
Crestron®	GLPAC-DIMFLV8-*
Crestron®	GLPP-DIMFLVEX-PM
Crestron®	GLPP-1DIMFLV2EX-PM
Crestron®	GLPP-1DIMFLV3EX-PM
Crestron®	DIN-A08
Crestron®	DIN-4DIMFLV4
Crestron®	CLS-EXP-DIMFLV
Crestron®	CLCI-1DIMFLV2EX
ABB	SD/S 2.16.1