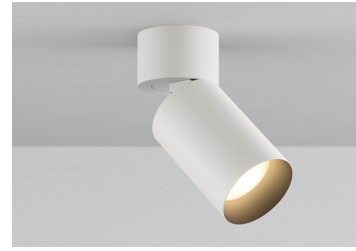


CYLINDER 1 LVS ADJUSTABLE SURFACE MOUNT

Highlight art, objects, places, spaces, seating areas, and architectural details with a classic profile that offers easy-to-adjust, in-field versatility.

| | |
|---------------|-------|
| PROJECT NAME: | TYPE: |
|---------------|-------|



ORDERING INFORMATION - CYLINDER

Quick Ship Product. All rough in components ship within 10 days up to quantities of 100.

| CYLINDER | FIXTURE | RATING | CYLINDER FINISH | BAFFLE FINISH | LUMEN PACKAGE | CCT | OPTIC | DRIVER | EFFECTS DEVICE | MOUNTING | |
|------------|--|---------------------|--|---------------|---|---|---|--------------------------------------|--|--|--|
| CY1 | | | | BK | | | | LVS | | | |
| CY1 2.50" | AD Standard 42° 9D Max 90° Tilt* <small>*(Not available for Wet location; Increased lead time)</small> | 1 Dry/Damp 2 Wet | WH White BK Black AB Architectural Bronze* <small>*(Increased lead time)</small> AG Satin Silver* <small>*(Increased lead time)</small> MA Machined Aluminum* <small>*(Not available for 9D, 9S, or Wet location)</small> CF Custom Finish* <small>*(Consult Factory)</small> | BK Black | STATIC WHITE 80C12A 80+ CRI, Delivered Lumens - 790 80C19A 80+ CRI, Delivered Lumens - 1216 90C10A 90+ CRI, Delivered Lumens - 676 90C15A 90+ CRI, Delivered Lumens - 1039 97C09A 97+ CRI, Delivered Lumens - 603 97C14A 97+ CRI, Delivered Lumens - 925 | 22 2200K* <small>*(Only available for 90+ CRI)</small> 27 2700K 30 3000K 35 3500K 40 4000K | 10 10°* <small>*(Only available for 80C12A, 90C10A, and 97C09A. Not available for 2200K)</small> 15 15° 20 20° 40 40° 60 60° | LVS Low Voltage System | STANDARD EFFECTS DEVICE 4 Soft Focus Lens 0 No Lens* <small>*(Standard for 10° optic. Not available for Warm Dim, or Wet location)</small> | ROUGH-IN JBMP 4" Sq. or 4/0 Junction Box Mounting Plate FINISH OUT SMK3 3/0 Surface Mount Kit SMK4 4/0 Surface Mount Kit CMJB 1/2" and 3/4" Conduit Ceiling Mount Junction Box* <small>*(Not available for MA finish or Wet location, Quick Ship Product for WH and BK finishes only) </small> | |
| | AS Standard 42° Shallow Canopy* <small>*(Increased lead time)</small> | | | | | | WARM DIM 90W11A 90+ CRI, Delivered Lumens - 869 Incandescent Profile 90W13A 90+ CRI, Delivered Lumens - 915 Halogen Profile *SEE PAGE 3 FOR DETAILED WARM DIM PROFILE COMPARISON. | WL 2700K - 1800K WD 3200K - 1800K | 20 20° 40 40° 60 60° | ALTERNATE EFFECTS DEVICE 2 Honeycomb Louver* <small>*(Not available for Warm Dim, or Wet location)</small> 3 Clear Glass Lens* <small>*(Not available for Warm Dim)</small> 5 Frosted Glass Lens 6 Frosted Soft Focus Lens 7 Frosted Linear Spread Lens | |
| | 9S Max 90° Tilt Shallow Canopy* <small>*(Not available for Wet location; increased lead time)</small> | | | | | | | | | | |



PART NUMBER NOTES

- CY1 ships as e.g., CY1-AD-1-WH-90C10A2-3-LVS-4
- JBMP ships as CY1-JBMP
- SMK3 ships as CY1-SMK-3/0-(finish)
- SMK4 ships as CY1-SMK-4/0-(finish)
- CMJB ships as CY1-CMJB-(finish)

ACCESSORIES

ALTERNATE EFFECTS DEVICES

- HCL-CY1-03** Honeycomb Louver*
*(Not available for Warm Dim, or Wet location)
- CGL-CY1-03** Clear Glass Lens*
*(Not available for Warm Dim)
- SFL-CY1-03** Soft Focus Lens
- FGL-CY1-03** Frosted Glass Lens
- FSFL-CY1-03** Frosted Soft Focus Lens
- FLSL-CY1-03** Frosted Linear Spread Lens

REPLACEMENT OPTICS




- Interchangeable optics accessible by removing snoot.
- RO-50-15-2** 15° optic*
*(Not available for Warm Dim)
 - RO-50-20-2** 20° optic
 - RO-50-40-2** 40° optic
 - RO-50-60-2** 60° optic

CYLINDER 1 LVS ADJUSTABLE SURFACE MOUNT

APPLICATION NOTES

- Lucifer Lighting will not supply a fixture with a POE node or power supply inside the fixture. This allows for easier site install with nodes of 2 or more outputs.
- Consult node manufacturer for maximum remote wiring distances.
- Fixture features 18 Gauge wiring.
- Wiring connections are made on the fixture using customer supplied connectors, ex. wire nuts, push-in connectors, or terminal blocks.
- Confirm node compatibility with factory if it is not listed.
- Customers are responsible for ensuring POE node drive current is set to correct values shown below.
- Customers must ensure voltage range of the proposed POE node encompasses the fixtures complete Vf range, both maximum and minimum. If assistance is required contact LLC rep or factory.

NODE COMPATIBILITY

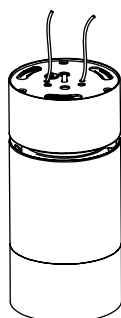
| Manufacturer | Model Number |
|---|--|
|  Igor® Enabling Smart Buildings™ | NP50-60-C-F-5 |
|  molex | 180996-1001 180996-1002 180996-2001 180996-2002 |
|  PLATFORMATICS | 1 Channel Node, POE-LN2-1U-E 2 Channel Node, POE-LN2-2U-E 4 Channel Node, POE-LN2-4U-E |

DRIVE CURRENT SPECIFICS

| | 80C | | 90C | | 97C | | 90W | |
|------------|------|------|------|------|------|------|------|------|
| | 12A | 19A | 10A | 15A | 09A | 14A | 11A | 13A |
| Minimum Vf | 30.5 | 30.5 | 30.5 | 30.5 | 30.5 | 30.5 | 30.5 | 30.5 |
| Maximum Vf | 39 | 39 | 39 | 39 | 39 | 39 | 39 | 39 |
| Current mA | 250 | 400 | 250 | 400 | 250 | 400 | 400 | 400 |
| Wattage W | 8.2 | 13.6 | 8.2 | 13.6 | 8.2 | 13.6 | 13.6 | 13.6 |

| | 10 DEGREE OPTIC | | |
|------------|-----------------|--------|--------|
| | 80C12A | 90C10A | 97C10A |
| Minimum Vf | 30.5 | 30.5 | 30.5 |
| Maximum Vf | 39 | 39 | 39 |
| Current mA | 400 | 400 | 400 |
| Wattage W | 13.6 | 13.6 | 13.6 |

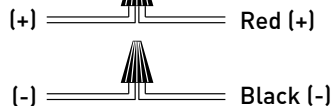
WIRING DIAGRAM



LV CONSTANT
CURRENT SOURCE:

POE NODE OR
REMOTE DRIVER

Class 2
Wiring



CYLINDER

CYLINDER 1 LVS ADJUSTABLE SURFACE MOUNT

STATIC WHITE PERFORMANCE - 3000K

| LUMEN PACKAGE | WATTAGE | 10° OPTIC NO SOFT FOCUS LENS | | 15° OPTIC SOFT FOCUS LENS | | 20° OPTIC SOFT FOCUS LENS | | 40° OPTIC SOFT FOCUS LENS | | 60° OPTIC SOFT FOCUS LENS | |
|---------------|---------|---------------------------------|----------|------------------------------|-----|------------------------------|-----|------------------------------|-----|------------------------------|-----|
| | | DELIVERED | LPW | DELIVERED | LPW | DELIVERED | LPW | DELIVERED | LPW | DELIVERED | LPW |
| 80C12A | 10 | 693 | 40 (17W) | 884 | 88 | 665 | 67 | 790 | 79 | 791 | 79 |
| 80C19A | 17 | - | - | 1363 | 81 | 1024 | 60 | 1216 | 76 | 1218 | 72 |
| 90C10A | 10 | 587 | 34 (17W) | 731 | 73 | 569 | 57 | 676 | 68 | 676 | 68 |
| 90C15A | 17 | - | - | 1127 | 67 | 874 | 51 | 1039 | 61 | 1040 | 61 |
| 97C09A | 10 | 542 | 31 (17W) | 666 | 67 | 508 | 51 | 603 | 60 | 604 | 61 |
| 97C14A | 17 | - | - | 1028 | 61 | 779 | 46 | 925 | 54 | 926 | 55 |
| 90W11A | 16 | - | - | - | - | 739 | 47 | 869 | 54 | 873 | 55 |
| 90W13A | 16 | - | - | - | - | 785 | 49 | 915 | 57 | 919 | 57 |

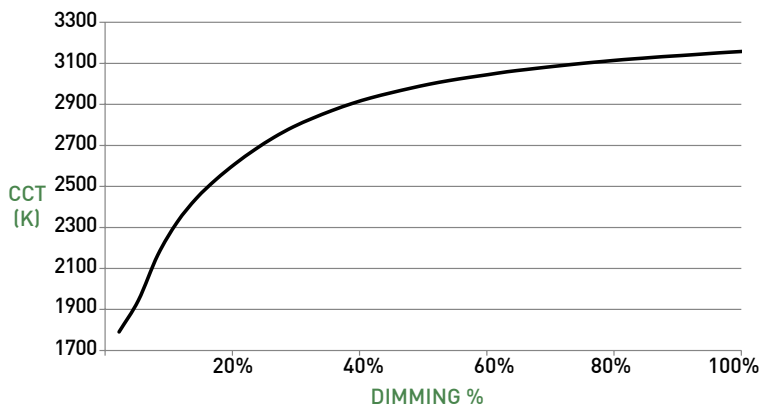
| OUTPUT MULTIPLIER | |
|-------------------|-----------|
| CCT | CCT SCALE |
| 2200K | 0.800 |
| 2700K | 0.957 |
| 3000K | 1.000 |
| 3500K | 1.019 |
| 4000K | 1.030 |

| LIGHT LOSS FACTOR MULTIPLIER | |
|------------------------------|------|
| No Lens | |
| CGL | 1.05 |
| SFL | 1.00 |
| FGL | 0.90 |
| FSFL | 0.87 |
| FLSL | 0.83 |
| HCL | 0.65 |

WARM DIM PERFORMANCE - SOFT FOCUS LENS - 40° OPTIC

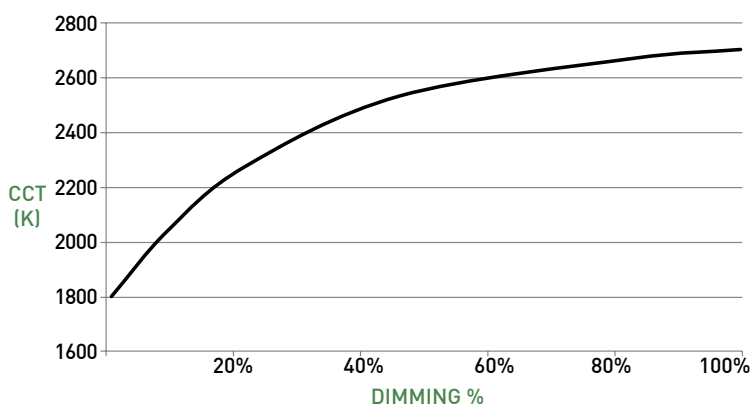
WARM DIM TO MIRROR HALOGEN DIMMING PROFILE

| 90W13A 3200K - 1800K | Full on 100% | Dimmed to 80% | Dimmed to 70% | Dimmed to 50% | Dimmed to 20% | Dimmed to 10% | Dimmed to 2% |
|-------------------------|-----------------|------------------|------------------|------------------|------------------|------------------|-----------------|
| CCT (K) | 3200 | 3150 | 3100 | 3000 | 2700 | 2200 | 1800 |
| Light Output (Lm) | 915 | 732 | 641 | 457 | 183 | 91 | 18 |
| Power (W) | 16 | 13 | 11 | 8 | 3 | 1.7 | 0.3 |
| Efficacy (LPW) | 57 | 57 | 57 | 57 | 57 | 57 | 57 |



WARM DIM TO MIRROR INCANDESCENT DIMMING PROFILE

| 90W11A 2700K - 1800K | Full on 100% | Dimmed to 80% | Dimmed to 70% | Dimmed to 50% | Dimmed to 20% | Dimmed to 10% | Dimmed to 2% |
|-------------------------|-----------------|------------------|------------------|------------------|------------------|------------------|-----------------|
| CCT (K) | 2700 | 2650 | 2620 | 2520 | 2180 | 1950 | 1800 |
| Light Output (Lm) | 869 | 880 | 770 | 550 | 220 | 110 | 30 |
| Power (W) | 16 | 13 | 11 | 8 | 3 | 1.7 | 0.3 |
| Efficacy (LPW) | 54 | 54 | 54 | 54 | 54 | 54 | 54 |

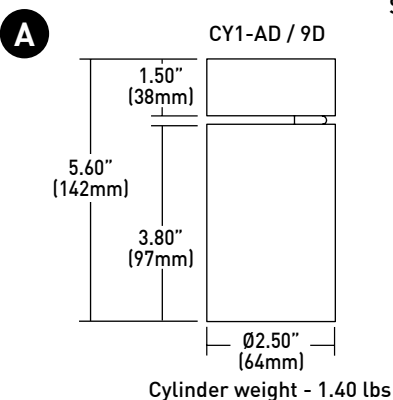


CYLINDER 1 LVS ADJUSTABLE SURFACE MOUNT

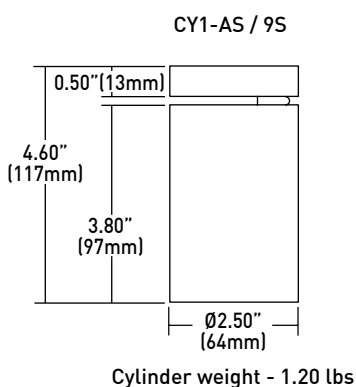
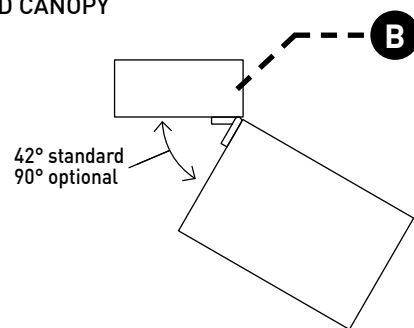
STEM ASSEMBLY

- A LUMINAIRE**
Body with integrated heat sink and LED. Conceals hidden twist-on mounting hardware. Power supply must be remote.
- B STANDARD CANOPY**
Die-cast canopy accommodates flat and slope ceiling conditions. Conceals hidden twist-on mounting hardware. "AD" (42° tilt, 357° rotation) and "9D" (90° tilt, 357° rotation) canopy features 1.50" (38mm) tall canopy. Available with integral or remote driver.
- C SHALLOW CANOPY**
Die-cast canopy accommodates flat and slope ceiling conditions. Conceals hidden twist-on mounting hardware. "AS" (42° tilt, 357° rotation) and "9S" (90° tilt, 357° rotation) canopy features 0.50" (13mm) tall canopy, reducing overall height. Requires remote power supply.
- D STANDARD OPTICS**
Proprietary optics available in 10°, 15°, 20°, 40° & 60° beams.
- E EFFECTS DEVICE**
Fixture body and accepts 1 lens; soft focus lens, no lens or wallwash lens standard. Sealed in place for Wet locations.
- F BAFFLE**
Threaded removable cowling provides virtually seamless joint with fixture body.

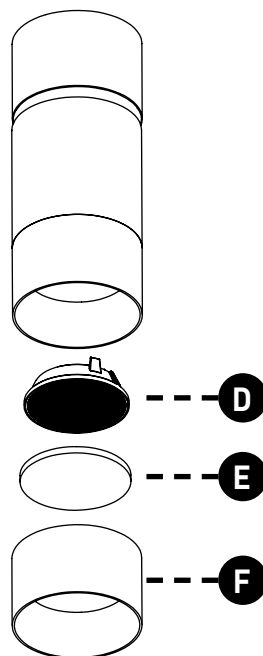
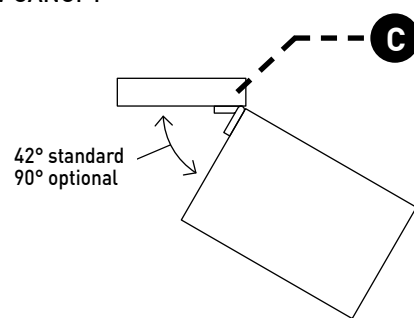
DIMENSIONS / DRAWINGS



STANDARD CANOPY



SHALLOW CANOPY

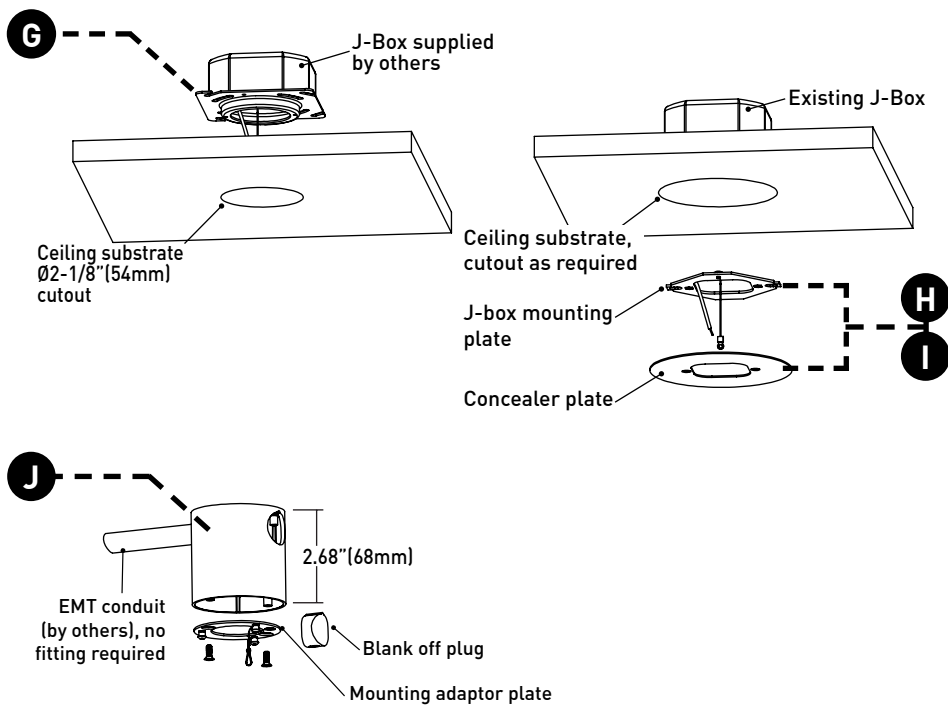


CYLINDER 1 LVS ADJUSTABLE SURFACE MOUNT

MOUNTING

- G JBMP**
Mounting plate (concealed) for standard 4" square or 4" 4/0 j-box . To be installed during rough-in prior to substrate. Fixture to mount flush with minimalist transition to ceiling.
- H SMK3**
Surface mount kit includes mounting plate and 4" concealer plate that installs between fixture and standard 3" 3/0 j-box for existing applications where standard j-box cutout is to be concealed.
- I SMK4**
Surface mount kit includes mounting plate and 5" concealer plate that installs between fixture and standard 4" 4/0 j-box for existing applications where standard j-box cutout is to be concealed.
- J CMJB**
Ceiling mount junction box perfectly matches the cylinder profile for a continuous, integrated look where exposed ceiling mount junction box and conduit applications apply. For use with 1/2" and 3/4" EMT conduit only. Features two conduit entrances on either side and one conduit knockout on top of j-box. J-box is IP10 rated; painted finishes only. Blank off plugs included.

DIMENSIONS / DRAWINGS



MOUNTING NOTES

- CY1-JBMP and CY1-SMK-3/0 & 4/0 not recommended for use with pancake style j-box.

CYLINDER 1 LVS ADJUSTABLE SURFACE MOUNT

TECHNICAL

CONSTRUCTION

Cylinder: Die-cast aluminum body; extruded aluminum internal heat-sink; painted finishes are granulated powder coat.

CMJB: Die-cast aluminum body; painted finishes are granulated powder coat.

STATIC WHITE LED

2-step MacAdam ellipse LED module available in 80+, 90+ and 97+ CRI configurations in color temperatures of 2200K, 2700K, 3000K, 3500K and 4000K. Average rated lamp life: 50,000 hours. LED and driver assemblies are field-replaceable.

WARM DIM LED

3-step MacAdam ellipse warm dim LED module available in 90+ CRI configuration. 3200K or 2700K at full brightness, warming to 1800K at full dim. Average rated lamp life of 50,000 hours. LED and driver assemblies are field-replaceable.

MOUNTING

Cylinder is supplied with a mounting adaptor plate, which integrates with required additional mounting accessories specified separately according to field application conditions, providing a minimalist transition from standard 4/0 or 4" square junction boxes and accommodating ceiling thicknesses of 0.44" (12mm) to 0.75" (19mm). Ceiling-mount junction box available for 1/2" (13mm) and 3/4" (19mm) conduit and feature concealed internal clamps for clean fitting-free conduit exit and entry.

LISTING

cTUVus listed to UL2108 standard for Dry / Damp and Wet locations.

WARRANTY

Manufacturer's 1-year warranty guarantees product(s) listed to be free from defects in material and workmanship under normal use and service. 5-year warranty on LED to operate with 70% of the original flux and remain within a range of 3 duv. Warranty period begins from the date of shipment by Seller. [Consult website for full warranty terms and conditions.](#)

CHANGE LOG

1. 01/12/2021: ADDED 2200K, 2700K-1800K WARM DIM AND 10 DEGREE OPTIC OFFERINGS.