

CYLINDER 2 LVS ADJUSTABLE SUSPENDED MOUNT

PROJECT NAME:	TYPE:
---------------	-------

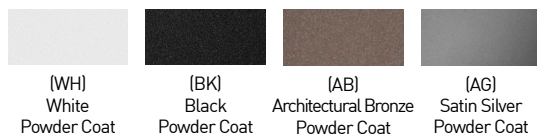


Highlight art, objects, places, spaces, seating areas, and architectural details with a classic profile that offers easy-to-adjust, in-field versatility.

ORDERING INFORMATION - CYLINDER

Quick Ship Product. All rough in components ship within 10 days up to quantities of 100.

CYLINDER	FIXTURE	RATING	CYLINDER FINISH	LUMEN PACKAGE	CCT	OPTIC	DRIVER	EFFECTS DEVICE	MOUNTING
CD2		1					LVS		
Dropkit® STEM ASSEMBLY CD2 3.13"	043 2" - 43" Mechanical Dropkit Stem 086 45" - 86" Mechanical Dropkit Stem 129 88" - 129" Mechanical Dropkit Stem 172 131" - 172" Mechanical Dropkit Stem *(All lengths are field cuttable)	AD Standard 70° 9D Max 90° Tilt* *(Increased lead time) AS Standard 70° Shallow Canopy* *(Remote driver only, increased lead time) 9S Max 90° Tilt Shallow Canopy* *(Remote driver only, increased lead time) AW Adjustable Wallwash 70°	1 Dry/Damp WH White BK Black AB Architectural Bronze* *(Increased lead time) AG Satin Silver* *(Increased lead time) CF Custom Finish* *(Consult Factory)	STATIC WHITE 80C12A 80+ CRI AD / 9D / AS / 9S Dlvld. Lumens - 727 AW Dlvld. Lumens - 557 80C19A 80+ CRI AD / 9D / AS / 9S Dlvld. Lumens - 1121 AW Dlvld. Lumens - 859 80C25A 80+ CRI AD / 9D / AS / 9S Dlvld. Lumens - 1488 AW Dlvld. Lumens - 1141 90C10A 90+ CRI AD / 9D / AS / 9S Dlvld. Lumens - 601 AW Dlvld. Lumens - 460 90C15A 90+ CRI AD / 9D / AS / 9S Dlvld. Lumens - 926 AW Dlvld. Lumens - 710 90C20A 90+ CRI AD / 9D / AS / 9S Dlvld. Lumens - 1230 AW Dlvld. Lumens - 943 97C09A 97+ CRI AD / 9D / AS / 9S Dlvld. Lumens - 548 AW Dlvld. Lumens - 420 97C14A 97+ CRI AD / 9D / AS / 9S Dlvld. Lumens - 845 AW Dlvld. Lumens - 648 97C19A 97+ CRI AD / 9D / AS / 9S Dlvld. Lumens - 1121 AW Dlvld. Lumens - 860	22 2200K* *(Only available for 90+ CRI) 27 2700K 30 3000K 35 3500K 40 4000K	10 10°* *(Only available for 80C12A, 90C10A, and 97C09A. Not available for 2200K) 15 15° 25 25° 40 40° 60 60° WW Wall wash* *(Required and only available for AW fixture)	LVS Low Voltage System	STANDARD EFFECTS DEVICE 4 Soft Focus Lens N No Lens* *(Standard for 10° optic. Not available for Warm Dim) W Wallwash Lens* *(Required and only available for AW fixture)	ROUGH-IN JBMP 4" Sq. or 4/0 Junction Box Mounting Plate FINISH OUT SMK3 3/0 Surface Mount Kit SMK4 4/0 Surface Mount Kit CMJB 1/2" and 3/4" Conduit Ceiling Mount Junction Box* *(Not available for MA finish, Quick Ship Product for WH and BK finishes only)
					WARM DIM 90W11A 90+ CRI, Incandescent Profile AD / 9D / AS / 9S Dlvld. Lumens - 844 AW Dlvld. Lumens - 651 90W13A 90+ CRI, Halogen Profile AD / 9D / AS / 9S Dlvld. Lumens - 889 AW Dlvld. Lumens - 685 *SEE PAGE 3 FOR DETAILED WARM DIM PROFILE COMPARISON. *ALL DELIVERED LUMEN OUTPUTS REFLECT 3000K PAIRED WITH 40° / WW OPTIC AND STANDARD EFFECTS DEVICE.	WL 2700K - 1800K WD 3200K - 1800K	25 25° 40 40° 60 60° WW Wall wash* *(Required and only available for AW fixture)		ALTERNATE EFFECTS DEVICE 2 Honeycomb Louver* *(Not available for Warm Dim) 3 Clear Glass Lens* *(Not available for Warm Dim) 5 Frosted Glass Lens 6 Frosted Soft Focus Lens 7 Frosted Linear Spread Lens



PART NUMBER NOTES




- CD2 Adjustable ships as e.g., CY2-AD-1-WH-90C20A2-3-LVS-4
- Stem Assembly ships as CY2-DK-(length)-(finish)
- JBMP ships as CD-JBMP
- SMK ships as CD-SMK-(3/0 or 4/0)-(finish)
- CMJB ships as CD-CMJB-(finish)

CYLINDER 2 LVS SUSPENDED MOUNT

APPLICATION NOTES

- Lucifer Lighting will not supply a fixture with a POE node or power supply inside the fixture. This allows for easier site install with nodes of 2 or more outputs.
- Consult node manufacturer for maximum remote wiring distances.
- Fixture features 18 Gauge wiring.
- Wiring connections are made on the fixture using customer supplied connectors, ex. wire nuts, push-in connectors, or terminal blocks.
- Confirm node compatibility with factory if it is not listed.
- Customers are responsible for ensuring POE node drive current is set to correct values shown below.
- Customers must ensure voltage range of the proposed POE node encompasses the fixtures complete Vf range, both maximum and minimum. If assistance is required contact LLC rep or factory.

NODE COMPATIBILITY

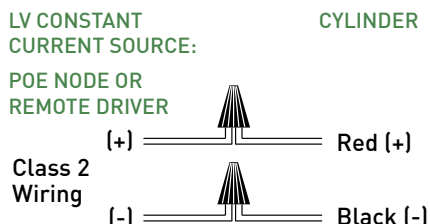
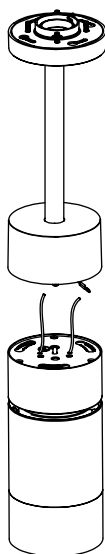
Manufacturer	Model Number
 Igor Enabling Smart Buildings™	NP50-60-C-F-5
 molex	180996-1001 180996-1002 180996-2001 180996-2002
 PLATFORMATICS	1 Channel Node, POE-LN2-1U-E 2 Channel Node, POE-LN2-2U-E 4 Channel Node, POE-LN2-4U-E

DRIVE CURRENT SPECIFICS

	80C			90C			97C			90W	
	12A	19A	25A	10A	15A	20A	09A	14A	19A	11A	13A
Minimum Vf	30.5	30.5	30.5	30.5	30.5	30.5	30.5	30.5	30.5	30.5	30.5
Maximum Vf	39	39	39	39	39	39	39	39	39	39	39
Current mA	250	400	550	250	400	550	250	400	550	400	400
Wattage W	8.2	13.6	19.4	8.2	13.6	19.4	8.2	13.6	19.4	13.6	13.6

	10 DEGREE OPTIC		
	80C12A	90C10A	97C10A
Minimum Vf	30.5	30.5	30.5
Maximum Vf	39	39	39
Current mA	400	400	400
Wattage W	13.6	13.6	13.6

WIRING DIAGRAM



CYLINDER 2 LVS ADJUSTABLE SUSPENDED MOUNT

ACCESSORIES

ADJUSTABLE & PENDANT ALTERNATE EFFECTS DEVICES

HCL-CY2-03 Honeycomb Louver *

*(Not available for Warm Dim)

CGL-CY2-03 Clear Glass Lens *

*(Not available for Warm Dim)

SFL-CY2-03 Soft Focus Lens

FGL-CY2-03 Frosted Glass Lens

FSFL-CY2-03 Frosted Soft Focus Lens

FLSL-CY2-03 Frosted Linear Spread Lens

CD2-FB ALTERNATE BAFFLE AND EFFECTS DEVICE

Includes baffle with sealed lens. Must specify baffle finish.

RBA-CY2--HCL** Honeycomb Louver *

*(Not available for Warm Dim)

RBA-CY2--CGL** Clear Glass Lens *

*(Not available for Warm Dim)

RBA-CY2--SFL** Soft Focus Lens

RBA-CY2--FGL** Frosted Glass Lens

RBA-CY2--FSFL** Frosted Soft Focus Lens

RBA-CY2--FLSL** Frosted Linear Spread Lens

Baffle finish: Specify **WH for white, **BK** for black, **AG** for satin silver or **AB** for architectural bronze.

CD2-FB REPLACEMENT SUCTION TOOL

Included with each CD2-FB order (1 per 10 fixtures).

CY-SQ-TOOL-SUCTION Baffle assembly removal tool

REPLACEMENT OPTICS

Interchangeable optics accessible by removing snoot or baffle.

RO-70-15-1 15° optic *

*(Not available for Warm Dim)

RO-70-25-1 25° optic

RO-70-40-1 40° optic

RO-70-60-1 60° optic

Dropkit STEM EXTENSION

RPS-DK-EXT--** 2" - 43" Stem Extension

Stem finish: Specify **WH for white, **BK** for black, **AG** for satin silver or **AB** for architectural bronze.

CYLINDER 2 LVS ADJUSTABLE SUSPENDED MOUNT

STATIC WHITE PERFORMANCE - 3000K

LUMEN PACKAGE	WATTAGE	10° OPTIC NO SOFT FOCUS LENS		15° OPTIC SOFT FOCUS LENS		20° OPTIC SOFT FOCUS LENS		40° OPTIC SOFT FOCUS LENS		60° OPTIC SOFT FOCUS LENS		WW OPTIC WALLWASH LENS	
		DELIVERED	LPW	DELIVERED	LPW	DELIVERED	LPW	DELIVERED	LPW	DELIVERED	LPW	DELIVERED	LPW
80C12A	10	1000	58 (17W)	872	87	848	85	727	73	775	78	557	56
80C19A	17	-	-	1345	80	1308	78	1121	67	1196	71	859	51
80C25A	24	-	-	1786	75	1736	73	1488	62	1587	67	1141	48
90C10A	10	848	49 (17W)	721	72	701	70	601	60	641	64	460	46
90C15A	17	-	-	1112	66	1081	65	926	55	988	59	710	42
90C20A	24	-	-	1476	62	1435	60	1230	52	1312	55	943	40
97C09A	10	703	41 (17W)	657	66	639	64	548	55	584	58	420	42
97C14A	17	-	-	1014	61	986	59	845	50	901	54	648	39
97C19A	24	-	-	1346	56	1308	55	1121	47	1196	50	860	36
90W11A	16	-	-	-	-	913	57	844	52	876	55	651	41
90W13A	16	-	-	-	-	961	60	889	56	922	58	685	42

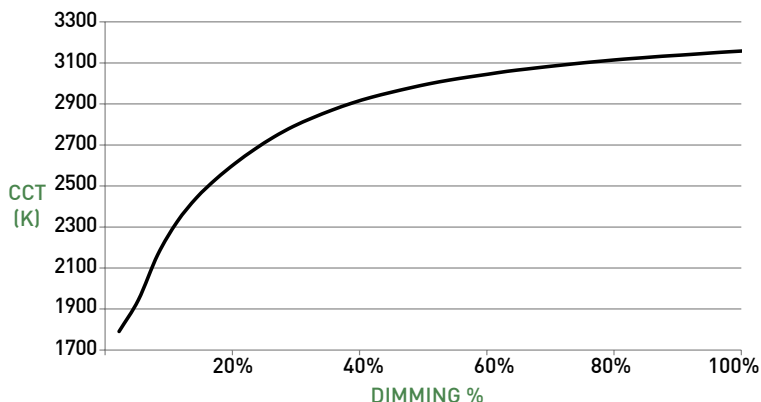
OUTPUT MULTIPLIER	
CCT	CCT SCALE
2200K	0.800
2700K	0.957
3000K	1.000
3500K	1.019
4000K	1.030

LIGHT LOSS FACTOR MULTIPLIER	
No Lens	
No Lens	1.05
CGL	1.05
SFL	1.00
FGL	0.90
FSFL	0.87
FLSL	0.83
HCL	0.65

WARM DIM PERFORMANCE - SOFT FOCUS LENS - 40° OPTIC

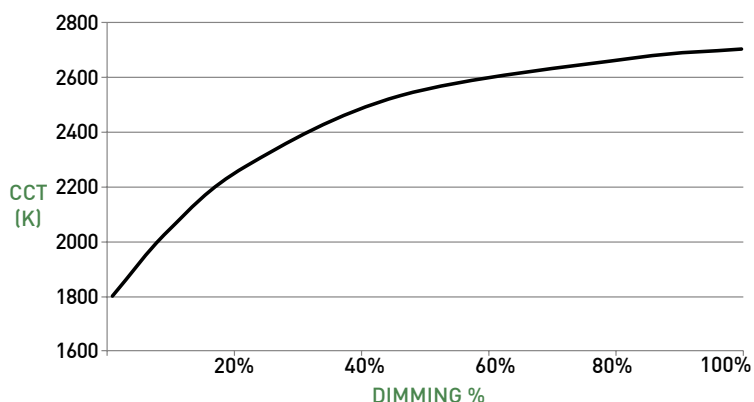
WARM DIM TO MIRROR HALOGEN DIMMING PROFILE

90W13A 3200K - 1800K	Full on 100%	Dimmed to 80%	Dimmed to 70%	Dimmed to 50%	Dimmed to 20%	Dimmed to 10%	Dimmed to 2%
CCT (K)	3200	3150	3100	3000	2700	2200	1800
Light Output (Lm)	889	711	622	444	178	89	18
Power (W)	16	13	11	8	3	1.7	0.3
Efficacy (LPW)	56	56	56	56	56	56	56



WARM DIM TO MIRROR INCANDESCENT DIMMING PROFILE

90W11A 2700K - 1800K	Full on 100%	Dimmed to 80%	Dimmed to 70%	Dimmed to 50%	Dimmed to 20%	Dimmed to 10%	Dimmed to 2%
CCT (K)	2700	2650	2620	2520	2180	1950	1800
Light Output (Lm)	844	675	591	422	169	84	17
Power (W)	16	13	11	8	3	1.7	0.3
Efficacy (LPW)	52	52	52	52	52	52	52



CYLINDER 2 LVS ADJUSTABLE SUSPENDED MOUNT

Dropkit STEM ASSEMBLY

A LUMINAIRE
Body with integrated heat sink and LED. Conceals hidden twist-on mounting hardware. Power supply must be remote mount.

B STANDARD CANOPY
Die-cast canopy accommodates flat and slope ceiling conditions. Conceals hidden twist-on mounting hardware. "AD" (70° tilt, 357° rotation) and "9D" (90° tilt, 357° rotation) canopy features 1.60" (41mm) tall canopy. Available with integral or remote driver.

C SHALLOW CANOPY
Die-cast canopy accommodates flat and slope ceiling conditions. Conceals hidden twist-on mounting hardware. "AS" (70° tilt, 357° rotation) and "9S" (90° tilt, 357° rotation) canopy features 0.50" (13mm) tall canopy, reducing overall height. Requires remote power supply.

D STANDARD OPTICS
Proprietary optics available in 10°, 15°, 20°, 40° & 60° beams.

WALLWASH OPTIC
Precision tuned optic provides uniform wallwashing effect.

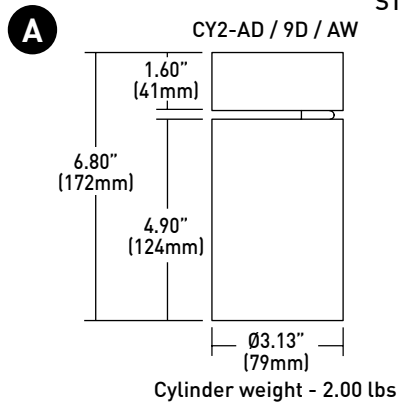
E EFFECTS DEVICE
Fixture body and accepts 1 lens; soft focus lens, no lens or wallwash lens standard. Sealed in place for Wet locations.

F BAFFLE
Threaded removable cowling provides virtually seamless joint with fixture body.

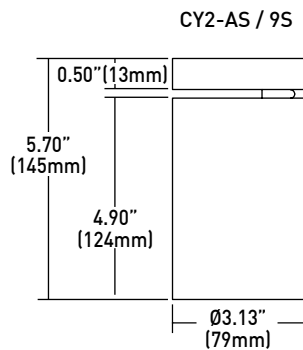
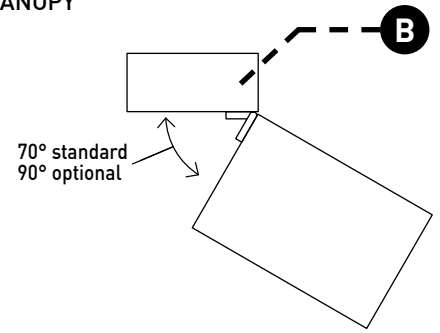
Dropkit
Field cuttable rigid stem for suspending fixture at desired height. Provides stable base to allow preferred fixture tilt, while maintaining vertical stem position.

- Ball joint allows up to 45° tilt for sloped ceilings and can be locked once stem is positioned vertically.
- Four 43" sections available; 172" maximum standard length.
- Length adjustment occurs in lower canopy.
- Wiring for kit provided by others.

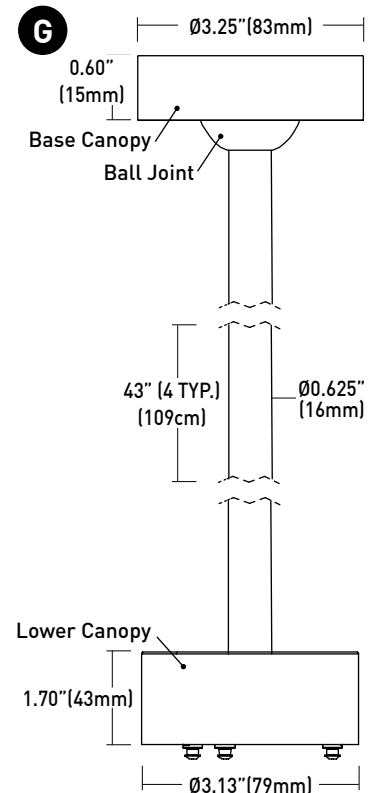
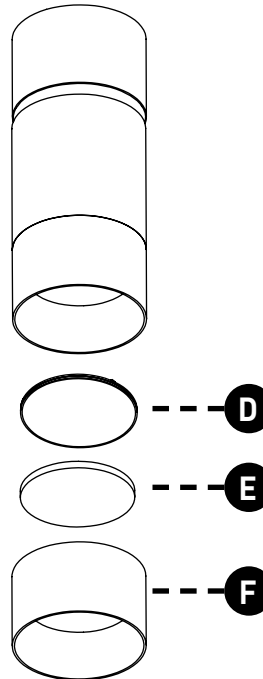
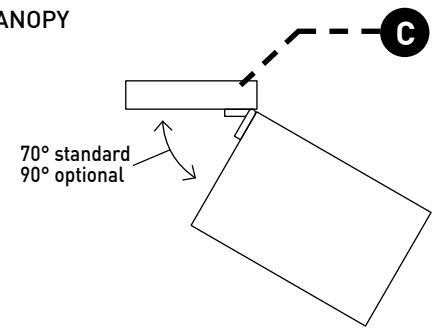
DIMENSIONS / DRAWINGS



STANDARD CANOPY



SHALLOW CANOPY

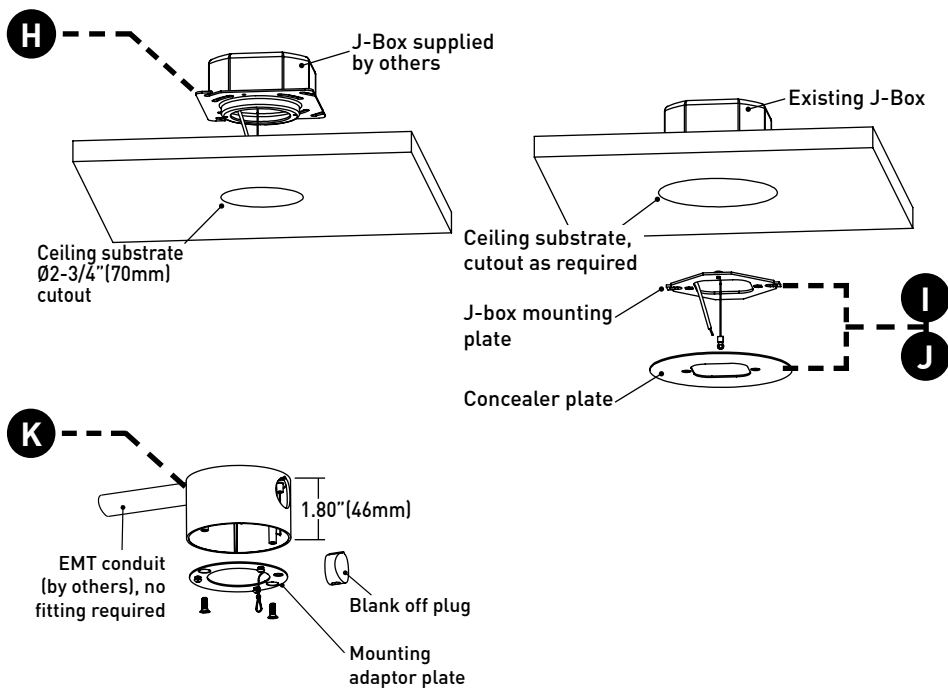


CYLINDER 2 LVS ADJUSTABLE SUSPENDED MOUNT

MOUNTING

- H JBMP**
Mounting plate (concealed) for standard 4" square or 4" 4/0 j-box . To be installed during rough-in prior to substrate. Fixture to mount flush with minimalist transition to ceiling.
- I SMK3**
Surface mount kit includes mounting plate and 4" concealer plate that installs between fixture and standard 3" 3/0 j-box for existing applications where standard j-box cutout is to be concealed.
- J SMK4**
Surface mount kit includes mounting plate and 5" concealer plate that installs between fixture and standard 4" 4/0 j-box for existing applications where standard j-box cutout is to be concealed.
- K CMJB**
Ceiling mount junction box perfectly matches the cylinder profile for a continuous, integrated look where exposed ceiling mount junction box and conduit applications apply. For use with 1/2" and 3/4" EMT conduit only. Features two conduit entrances on either side and one conduit knockout on top of j-box. J-box is IP10 rated; painted finishes only. Blank off plugs included.

DIMENSIONS / DRAWINGS



MOUNTING NOTES

- CD-JBMP and CD-SMK-3/0 & 4/0 not recommended for use with pancake style j-box.

CYLINDER 2 LVS ADJUSTABLE SUSPENDED MOUNT

TECHNICAL

CONSTRUCTION

Cylinder: Die-cast aluminum body; extruded aluminum internal heat-sink; painted finishes are granulated powder coat.

Dropkit Stem Assembly: Die-cast aluminum canopies and extruded aluminum stems; painted finishes are granulated powder coat.

CMJB: Die-cast aluminum body; painted finishes are granulated powder coat.

STATIC WHITE LED

2-step MacAdam ellipse LED module available in 80+, 90+ and 97+ CRI configurations in color temperatures of 2200K, 2700K, 3000K, 3500K and 4000K. Average rated lamp life of 50,000 hours. LED and driver assemblies are field-replaceable.

WARM DIM LED

3-step MacAdam ellipse warm dim LED module available in 90+ CRI configuration. 3200K or 2700K at full brightness, warming to 1800K at full dim. Average rated lamp life of 50,000 hours. LED and driver assemblies are field-replaceable.

WALLWASH SPACING AND TILT

Cylinder must be tilted to achieve wallwashing effect. Recommended fixture spacing is 36" (914mm) on center with 36" (914mm) setback from wall plane with 30° tilt.

MOUNTING

Pendant is supplied with a mounting adaptor plate, which integrates with specified mounting component. Dropkit Stem integrates directly with specified mounting component. Both applications provide a minimalist transition from standard 4/0 or 4" square junction boxes and accommodating ceiling thicknesses of 0.44" (12mm) to 0.75" (19mm). Ceiling-mount junction box available for 1/2" (13mm) and 3/4" (19mm) conduit and feature concealed internal clamps for clean fitting-free conduit exit and entry.

LISTING

cTUVus listed to UL2108 standard for Dry / Damp (IP10) locations.

WARRANTY

Manufacturer's 1-year warranty guarantees product(s) listed to be free from defects in material and workmanship under normal use and service. 5-year warranty on LED to operate with 70% of the original flux and remain within a range of 3 duv. Warranty period begins from the date of shipment by Seller. [Consult website for full warranty terms and conditions.](#)

CHANGE LOG

1. 01/12/2021: ADDED 2200K, 2700K-1800K WARM DIM AND 10 DEGREE OPTIC OFFERINGS.