

CYLINDER 2

SURFACE MOUNT

| | |
|---------------|-------|
| PROJECT NAME: | TYPE: |
|---------------|-------|



Highlight art, objects, places, spaces, seating areas, and architectural details with a classic profile that offers easy-to-adjust, in-field versatility.

ORDERING INFORMATION - CYLINDER



Quick Ship Product. All rough in components ship within 10 days up to quantities of 100.



JA8-2019 COMPLIANCE INDICATED BY SHADING

| CYLINDER | FIXTURE | RATING | CYLINDER FINISH | BAFFLE FINISH | LUMEN PACKAGE | CCT | OPTIC | DRIVER | EFFECTS DEVICE | MOUNTING |
|------------|---|------------|--|---|--|--|---|---|--|---|
| CY2 | | 1 | | | | | | | | |
| CY2 3.13" | AD Standard 70° 9D Max 90° Tilt* *(Increased lead time) AS Standard 70° Shallow Canopy* *(Remote driver only; increased lead time) 9S Max 90° Tilt Shallow Canopy* *(Remote driver only; increased lead time) AW Adjustable Wallwash 70° FB Fixed Body | 1 Dry/Damp | WH White BK Black AB Architectural Bronze* *(Increased lead time) AG Satin Silver* *(Increased lead time) MA Machined Aluminum* *(Not available for 9D, 9S, or Fixed Body) CF Custom Finish* *(Consult Factory) | ALL ADJUSTABLE CYLINDERS BK Black CY2-FB ONLY WH White BK Black AB Architectural Bronze* *(Increased lead time) AG Satin Silver* *(Increased lead time) CF Custom Finish* *(Consult Factory) | <p>STATIC WHITE</p> <p>80C12A 80+ CRI, 1200 Source Lumens (Delivered Lumens - 727)</p> <p>80C19A 80+ CRI, 1900 Source Lumens (Delivered Lumens - 1121)</p> <p>80C25A 80+ CRI, 2500 Source Lumens (Delivered Lumens - 1488)</p> <p>90C10A 90+ CRI, 1000 Source Lumens (Delivered Lumens - 601)</p> <p>90C15A 90+ CRI, 1500 Source Lumens (Delivered Lumens - 926)</p> <p>90C20A 90+ CRI, 2000 Source Lumens (Delivered Lumens - 1230)</p> <p>97C09A 97+ CRI, 900 Source Lumens (Delivered Lumens - 548)</p> <p>97C14A 97+ CRI, 1400 Source Lumens (Delivered Lumens - 845)</p> <p>97C19A 97+ CRI, 1900 Source Lumens (Delivered Lumens - 1121)</p> <p>WARM DIM</p> <p>90W13A 90+ CRI, 1300 Source Lumens (Delivered Lumens - 888)</p> | 27 2700K 30 3000K 35 3500K 40 4000K | 15 15°* *(Not available for Warm Dim) 25 25° 40 40° 60 60° WW Wallwash* *(Required with AW fixture) | INTEGRAL CA2 120-277V 0-10V Analog CE2 120V Electronic ELV Forward / Reverse Phase REMOTE (120V) TR2 Philips, 2% Leading / Trailing / Triac* *(Only available with 80C19A, 90C15A and 97C14A) L23 Lutron, Hi-Lume 1% 2-Wire REMOTE (120-277V) LH1 Lutron, Hi-Lume 1% Ecosystem AN4 Philips Xitanium 1% 0-10V, LOG LN2 Philips Xitanium 1% 0-10V, LIN EA2 eldoLED, SOLOdrive 0.1% 0-10V, LOG LA2 eldoLED, SOLOdrive 0.1% 0-10V, LIN ED1 eldoLED, SOLOdrive 0.1% DALI, LOG LD1 eldoLED, SOLOdrive 0.1% DALI, LIN | 0 No Lens* *(Not available for Warm Dim) 2 Honeycomb Louver* *(Not available for Warm Dim) 3 Clear Glass Lens* *(Not available for Warm Dim) 4 Soft Focus Lens 5 Frosted Glass Lens 6 Frosted Soft Focus Lens 7 Frosted Linear Spread Lens W Wallwash Lens* *(Required with AW fixture) | ROUGH-IN JBMP 4" Sq. or 4/0 Junction Box Mounting Plate FINISH OUT SMK3 3/0 Surface Mount Kit SMK4 4/0 Surface Mount Kit CMJB 1/2" and 3/4" Conduit Ceiling Mount Junction Box* *(Not available for MA finish, Quick Ship Product for WH and BK finishes only) |



PART NUMBER NOTES

- Adjustable ships as e.g., CY2-AD-1-WH-90C20A2-3-RMT-4
- Fixed Body ships as e.g., CY2-FB1-WHBK-90C15A2-30CA240
- Remote driver ships as e.g., PS-RMT-90C20A-1L23
- JBMP ships as CY2/3-JBMP
- SMK3 ships as CY2/3-SMK-3/0-(finish)
- SMK4 ships as CY2/3-SMK-4/0-(finish)
- CMJB ships as CY2-CMJB-(finish)

CYLINDER 2 SURFACE MOUNT

ACCESSORIES

ADJUSTABLE & PENDANT ALTERNATE EFFECTS DEVICES

- HCL-CY2-03** Honeycomb Louver *
*(Not available for Warm Dim)
- CGL-CY2-03** Clear Glass Lens *
*(Not available for Warm Dim)
- SFL-CY2-03** Soft Focus Lens
- FGL-CY2-03** Frosted Glass Lens
- FSFL-CY2-03** Frosted Soft Focus Lens
- FLSL-CY2-03** Frosted Linear Spread Lens

REPLACEMENT OPTICS

- Interchangeable optics accessible by removing snoot or baffle.
- RO-70-15-1** 15° optic *
*(Not available for Warm Dim)
 - RO-70-25-1** 25° optic
 - RO-70-40-1** 40° optic
 - RO-70-60-1** 60° optic

FIXED BODY ALTERNATE Baffle AND EFFECTS DEVICE

- Includes baffle with sealed lens. Must specify baffle finish.
- RBA-CY2-**-HCL** Honeycomb Louver *
*(Not available for Warm Dim)
 - RBA-CY2-**-CGL** Clear Glass Lens *
*(Not available for Warm Dim)
 - RBA-CY2-**-SFL** Soft Focus Lens
 - RBA-CY2-**-FGL** Frosted Glass Lens
 - RBA-CY2-**-FSFL** Frosted Soft Focus Lens
 - RBA-CY2-**-FLSL** Frosted Linear Spread Lens

** Baffle finish: Specify **WH** for white, **BK** for black, **AG** for satin silver or **AB** for architectural bronze.

EMERGENCY LIGHTING - REMOTE MOUNT ONLY

- EMB-S-20/25-120/277-LEDX** 20/25 watt max capacity, 120 or 277 VAC 60Hz
- EMB-S-100-120-LEDX** 100 watt max capacity, 120 VAC 60Hz
- EMB-S-100-277-LEDX** 100 watt max capacity, 277 VAC 60Hz
- EMB-S-250-120/277-LEDX** 250 watt max capacity, 120 or 277 VAC 60Hz

During disruption of main power, emergency battery inverter provides temporary 120V or 277V to fixture.

FIXED BODY REPLACEMENT SUCTION TOOL

- Included with each CY2-FB order (1 per 10 fixtures).
 CY-SQ-TOOL-SUCTION Baffle assembly removal tool

STATIC WHITE PERFORMANCE - 3000K - SOFT FOCUS LENS

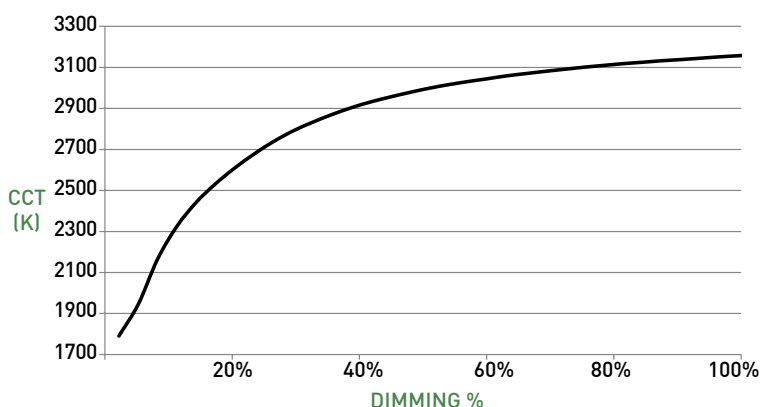
| LUMEN PACKAGE | WATTAGE | 15° OPTIC | | 25° OPTIC | | 40° OPTIC | | 60° OPTIC | | WW OPTIC | |
|---------------|---------|-----------|-----|-----------|-----|-----------|-----|-----------|-----|-----------|-----|
| | | DELIVERED | LPW | DELIVERED | LPW | DELIVERED | LPW | DELIVERED | LPW | DELIVERED | LPW |
| 80C12A | 10 | 872 | 87 | 848 | 85 | 727 | 73 | 775 | 78 | 557 | 56 |
| 80C19A | 17 | 1345 | 80 | 1308 | 78 | 1121 | 67 | 1196 | 71 | 859 | 51 |
| 80C25A | 24 | 1786 | 75 | 1736 | 73 | 1488 | 62 | 1587 | 67 | 1141 | 48 |
| 90C10A | 10 | 721 | 72 | 701 | 70 | 601 | 60 | 641 | 64 | 460 | 46 |
| 90C15A | 17 | 1112 | 66 | 1081 | 65 | 926 | 55 | 988 | 59 | 710 | 42 |
| 90C20A | 24 | 1476 | 62 | 1435 | 60 | 1230 | 52 | 1312 | 55 | 943 | 40 |
| 97C09A | 10 | 657 | 66 | 639 | 64 | 548 | 55 | 584 | 58 | 420 | 42 |
| 97C14A | 17 | 1014 | 61 | 986 | 59 | 845 | 50 | 901 | 54 | 648 | 39 |
| 97C19A | 24 | 1346 | 56 | 1308 | 55 | 1121 | 47 | 1196 | 50 | 860 | 36 |
| 90W13A | 16 | - | - | 961 | 60 | 889 | 56 | 922 | 58 | 685 | 42 |

| OUTPUT MULTIPLIER | | | |
|-------------------|---------|---------|---------|
| CCT | 80+ CRI | 90+ CRI | 97+ CRI |
| 2700K | 1.158 | 0.957 | 0.873 |
| 3000K | 1.211 | 1.000 | 0.912 |
| 3500K | 1.234 | 1.019 | 0.927 |
| 4000K | 1.249 | 1.030 | 0.940 |

| LIGHT LOSS FACTOR MULTIPLIER | |
|------------------------------|------|
| No Lens | 1.05 |
| CGL | 1.05 |
| SFL | 1.00 |
| FGL | 0.90 |
| FSFL | 0.87 |
| FLSL | 0.83 |
| HCL | 0.65 |

WARM DIM PERFORMANCE

| DETAILED PERFORMANCE | Full on 100% | Dimmed to 80% | Dimmed to 70% | Dimmed to 50% | Dimmed to 20% | Dimmed to 10% | Dimmed to 2% |
|----------------------|--------------|---------------|---------------|---------------|---------------|---------------|--------------|
| CCT (K) | 3200 | 3150 | 3100 | 3000 | 2700 | 2200 | 1800 |
| Light Output (Lm) | 1300 | 1050 | 900 | 630 | 250 | 115 | 25 |
| Power (W) | 14 | 11 | 10 | 7 | 3 | 1.5 | 0.3 |
| Efficacy (LPW) | 92 | 93 | 90 | 90 | 83 | 76 | 74 |

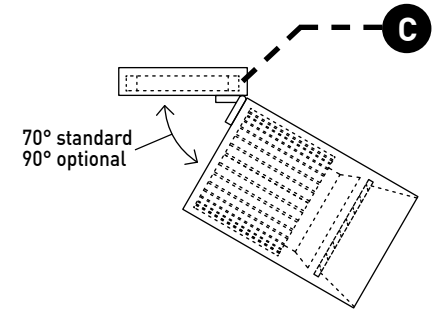
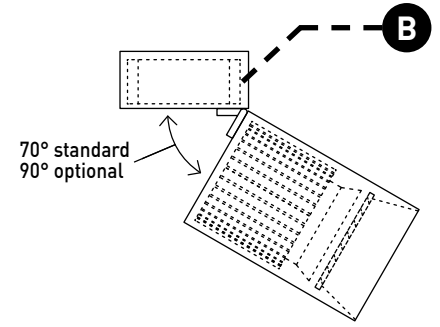
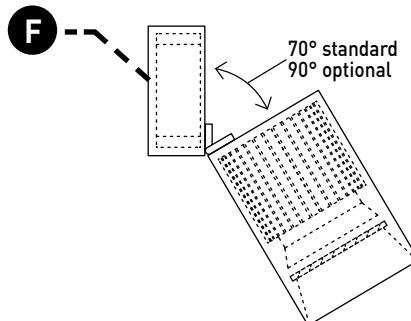
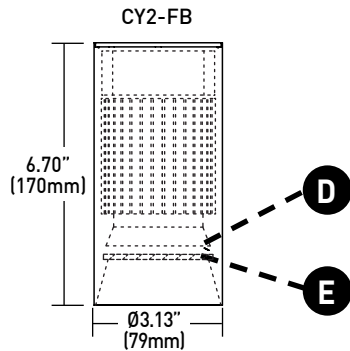
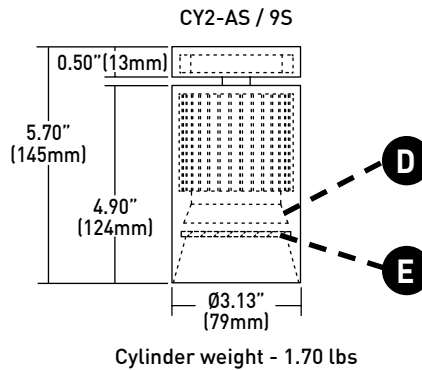
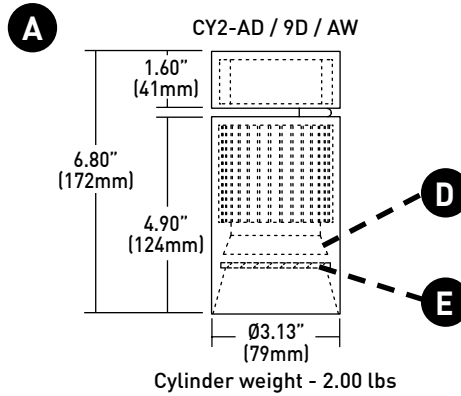


CYLINDER 2 SURFACE MOUNT

STEM ASSEMBLY

- A LUMINAIRE**
Body with integrated heat sink and LED. Conceals hidden twist-on mounting hardware. Power supply may be integral or remote mount.
- B STANDARD CANOPY**
Die-cast canopy accommodates flat and slope ceiling conditions. Conceals hidden twist-on mounting hardware. "AD" (70° tilt) and "9D" (90° tilt) canopy features 1.60" (41mm) tall canopy. Available with integral or remote driver.
- C SHALLOW CANOPY**
Die-cast canopy accommodates flat and slope ceiling conditions. Conceals hidden twist-on mounting hardware. "AS" (70° tilt) and "9S" (90° tilt) canopy features 0.50" (13mm) tall canopy, reducing overall height. Requires remote power supply.
- D STANDARD OPTICS**
Proprietary field-changeable optics available in 15°, 25°, 40° & 60° beams.
- WALLWASH OPTIC**
Precision tuned kick reflector and optic provides uniform wallwashing effect.
- E ADJUSTABLE EFFECTS DEVICE**
Threaded removable cowling provides virtually seamless joint with fixture body and accepts 1 lens; soft focus lens standard. Wallwash fixture is fitted with a wallwash lens.
- FIXED BODY EFFECTS DEVICE**
Cylinder baffle assembly can accept 1 lens; soft focus lens standard and sealed in place. Suction tool provided for removal of baffle lens assembly.
- F WALL-MOUNT**
CY2-AD / 9D / AS / 9S may be wall mounted using any mounting option.

DIMENSIONS / DRAWINGS



CYLINDER 2 SURFACE MOUNT

MOUNTING

- G JBMP**
Mounting plate (concealed) for standard j-box. To be installed during rough-in prior to substrate. Fixture to mount flush with minimalist transition to ceiling.
- H SMK3**
Surface mount kit includes mounting plate and 4" concealer plate that installs between fixture and standard 3" 3/0 j-box for existing applications where standard j-box cutout is to be concealed.
- I SMK4**
Surface mount kit includes mounting plate and 5" concealer plate that installs between fixture and standard 4" 4/0 j-box for existing applications where standard j-box cutout is to be concealed.
- J CMJB**
Ceiling mount junction box perfectly matches the cylinder profile for a continuous, integrated look where exposed ceiling mount junction box and conduit applications apply. For use with 1/2" and 3/4" EMT conduit only. Features two conduit entrances on either side and one conduit knockout on top of j-box. J-box is IP10 rated; painted finishes only. Blank off plugs included.

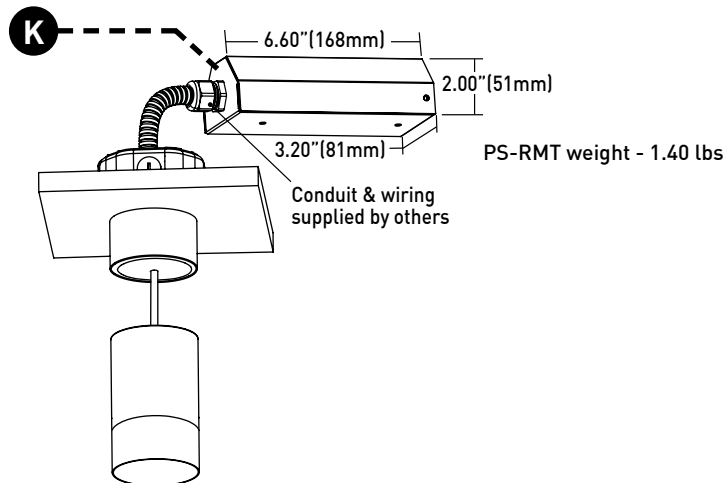
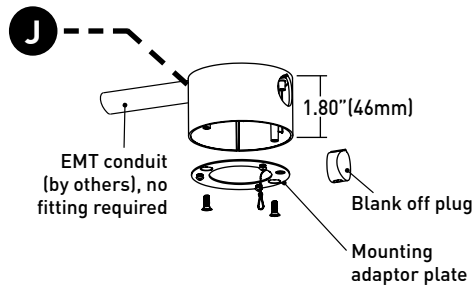
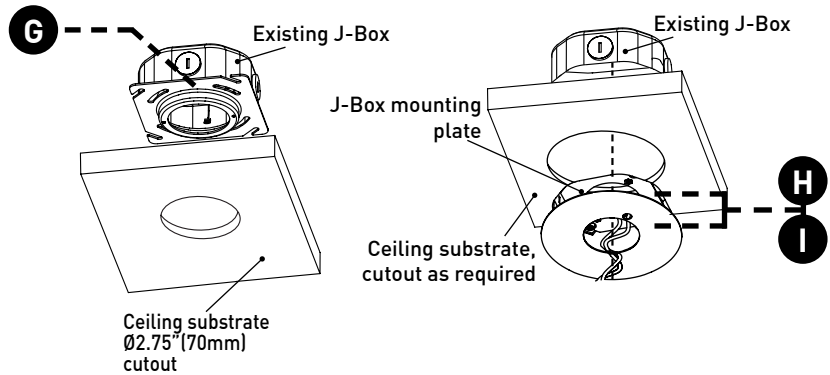
MOUNTING NOTES

- CY2/3-JBMP and CY2/3-SMK-3/0 & 4/0 not recommended for use with pancake style j-box.

REMOTE POWER SUPPLY

- K PS-RMT**
Remote power supply provides additional driver options. Mounting device still required. Consult install guide for maximum allowable secondary run lengths between PS-RMT and cylinder.

DIMENSIONS / DRAWINGS



CYLINDER 2 SURFACE MOUNT

TECHNICAL

CONSTRUCTION

Cylinder: Die-cast or Machined aluminum body; extruded aluminum internal heat-sink; painted finishes are granulated powder coat.

CMJB: Die-cast aluminum body; painted finishes are granulated powder coat.

Remote Power Supply: 22 Gauge galvanized steel.

LED

Proprietary Citizen 2 step MacAdam ellipse LED module available in 80+, 90+ and 97+ CRI configurations in color temperatures of 2700K, 3000K, 3500K and 4000K. Average rated lamp life of 50,000 hours. LED and driver assemblies are field-replaceable.

WARM DIM LED

Proprietary 3 step MacAdam ellipse warm dim LED module available in 90+ CRI configuration. 3200K at full brightness, warming to 1800K at full dim. Average rated lamp life of 50,000 hours. LED and driver assemblies are field-replaceable.

POWER SUPPLY PERFORMANCE AND DIMMING INFORMATION

| Power Supply | CA2 | CE2 | TR2 | L23 | LH1 | AN4 | LN2 | EA2 | LA2 | ED1 | LD1 |
|--------------|--------|--------|--------|-------|-------|--------|--------|--------|--------|--------|--------|
| Minimum °C | -20 °C | -20 °C | -20 °C | 0 °C | 0 °C | -20 °C | -20 °C | -20 °C | -20 °C | -20 °C | -20 °C |
| Maximum °C | 40 °C | 40 °C | 40 °C | 40 °C | 40 °C | 40 °C | 40 °C | 40 °C | 40 °C | 40 °C | 40 °C |
| Dimming % | 2.0% | 2.0% | 2.0% | 1.0% | 1.0% | 1.0% | 1.0% | 0.1% | 0.1% | 0.1% | 0.1% |

Note: For TR2, L23, LH1, AN4, LN2, EA2 and LA2 drivers consult chart on page 6 to confirm appropriate dimming curve for compatibility with selected control.

WALLWASH SPACING AND TILT

Cylinder must be tilted to achieve wallwashing effect. Recommended fixture spacing is 36" (914mm) on center with 36" (914mm) setback from wall plane with 30° tilt.

MOUNTING

Cylinder is supplied with a mounting adaptor plate, which integrates with required additional mounting accessories specified separately according to field application conditions, providing a minimalist transition from standard 4/0 or 4" square junction boxes and accommodating ceiling thicknesses of 0.44" (12mm) to 0.75" (19mm). Ceiling-mount junction box available for 1/2" (13mm) and 3/4" (19mm) conduit and feature concealed internal clamps for clean fitting-free conduit exit and entry.

LISTING

cTUVus listed to UL1598 standard for Dry / Damp locations. Title 24 JA8-2019 Listed.

WARRANTY

Manufacturer's 1-year warranty guarantees product(s) listed to be free from defects in material and workmanship under normal use and service. 5-year warranty on LED and power supply to operate with 70% of the original flux and remain within a range of 3 duv. 10-year Lutron Advantage limited warranty available on Lutron equipped systems. Warranty period begins from the date of shipment by Seller and conditional upon the use of manufacturer-supplied power supply. Consult [website](#) for full warranty terms and conditions.

CHANGE LOG

1. 10/21/2019: NEW CONSOLIDATED SPEC SHEET WITH SINGLE NOMENCLATURE FOR SPECIFICATION
2. 10/21/2019: NOW OFFERED WITH SATIN SILVER FINISH
3. 10/21/2019: ADDED QUICK SHIP

CYLINDER 2 SURFACE MOUNT

DIMMING COMPATIBILITY

PHILIPS DRIVER COMPATIBILITY

| Power supply TR2 Manufacturer | Family/Model # |
|---|-----------------------|
| Lutron Electronics | DV-600P |
| Lutron Electronics | DVELV-303P |
| Lutron Electronics | NTELV-600 |
| Lutron Electronics | MAELV-600 |
| Lutron Electronics | SELV-300P |
| Lutron Electronics | DVLV-600P |
| Lutron Electronics | NFTU-5A |
| Lutron Electronics | CTCL-153P |
| Lutron Electronics | GL-600H |
| Lutron Electronics | S-600P |
| Lutron Electronics | PHPM |
| Power supply AN4 / LN2 Manufacturer | Family/Model # |
| Lutron Electronics | DVTV plus PP-DV |
| Lutron Electronics | DVSCTV plus PP-DV |
| Lutron Electronics | DVSTV |
| Lutron Electronics | DVSCSTV |
| Lutron Electronics | QSGRJ-XP plus GRX-TVI |
| Lutron Electronics | QSGRJ-XE plus GRX-TVI |
| Lutron Electronics | QSGR-XE plus GRX-TVI |
| Lutron Electronics | NFTV plus PP-DV |
| Lutron Electronics | NTSTV |
| Lutron Electronics | RMJ-5T |
| Lutron Electronics | RMJS-8T |
| Lutron Electronics | FCJS-010 |
| Leviton | IllumaTch IP7 series |
| Philips | Sunrise - SR1200ZTUNV |

LUTRON DRIVER COMPATIBILITY

| Power supply L23 Lutron Product Family | Part No. |
|---|----------------------------------|
| Maestro WirelessR 600 W dimmer | MRF2-6ND-120- |
| Maestro WirelessR 1000 W dimmer | MRF2-10ND-120- |
| Caséta® Wireless Pro 1000 W dimmer | PD-10NXD- |
| GRAFIK T™ CL® dimmer | GT-250M- GTJ-250M- |
| HomeWorks® QS adaptive dimmer | HQRD-6NA- |
| HomeWorks® QS 600 W dimmer | HQRD-6ND- |
| HomeWorks® QS 1000 W dimmer | HQRD-10ND- |
| RadioRA® 2 adaptive dimmer | RRD-6NA- |
| RadioRA® 2 1000 W dimmer | RRD-10ND |
| myRoom™ DIN power module | MQSE-4A1-D |
| HomeWorks® QS DIN power module | LQSE-4A1-D |
| HomeWorks® QS wallbox power module | HQRJ-WPM-6D-120 |
| HomeWorks® wallbox power module | HWI-WPM-6D-120 |
| GRAFIK Eye® QS control unit | QSGR-, QSGRJ- |
| GRAFIK Eye® 3000 control unit | GRX-3100- GRX-3500- |
| RPM-4U module (LCP, HomeWorks® QS, GRAFIK Systems™, Quantum®) | HW-RPM-4U-120 LP-RPM-4U-120 |
| RPM-4A module (LCP, HomeWorks® QS, GRAFIK Systems™, Quantum®) | HW-RPM-4A-120, LP-RPM-4A-120 |
| GP dimming panels | Various |
| Ariadni CL 250W dimmer | AYCL-253P- |
| Diva CL 250W dimmer | DVCL-253P- DCSCCL-253P- |
| Nova T CL 250W dimmer | NTCL-250- |
| Power supply LH1 Lutron Product Family | Part No. |
| PowPak Dimming Modules | RMJ-ECO32-DV-B |
| PowPak Dimming Modules | FCJ/FCJS-ECO |
| Energi Savr Nodes | QSN-1ECO-S |
| GRAFIK Eye QS control unit Homeworks QS control unit | QSN-2ECO-S |
| GRAFIK Eye QS control unit Homeworks QS control unit | QSGRJ- _E (wireless) QSGR- _E |
| Quantum Hub | QP2-__ 2C |
| Quantum Hub | QP2-__ 4C |
| Quantum Hub | QP2-__ 6C |
| Quantum Hub | QP2-__ 8C |
| Homeworks QS power module myRoom Plus power module | LQSE-2ECO-D |

eldoLED DRIVER COMPATIBILITY

| Power supply EA2 / LA2 Dimmer / Switch Control Manufacturer | Family/Model # |
|---|--------------------------------|
| Busch-Jaeger | 2112U-101 |
| Jung | 240-10 |
| Leviton Lighting Controls | IP710-DLX |
| Lightolier Controls | ZP600FAM120 |
| Lutron Electronics | Nova T® - NTFTV |
| Lutron Electronics | Div@® - DVTV |
| Lutron Electronics | Nova@® - NFTV |
| Merten | 5729 |
| Pass & Seymour | CD4FB-W |
| The Watt Stopper | DCLV1 |
| Sensor Switch | nI0 EZ |
| Synergy | ISD BC |
| Power supply EA2 / LA2 Lighting Control Systems Manufacturer | Family/Model # |
| Lutron Electronics | GrafixEye® GRX-TVI w GRX3503 |
| Lutron Electronics | Energy Savr Node™ - QSN-4T16-S |
| Lutron Electronics | TVM2 Module |
| Crestron® | GLX-DIMFLV8 |
| Crestron® | GLXP-DIMFLV8 |
| Crestron® | GLPAC-DIMFLV4-* |
| Crestron® | GLPAC-DIMFLV8-* |
| Crestron® | GLPP-DIMFLVEX-PM |
| Crestron® | GLPP-1DIMFLV2EX-PM |
| Crestron® | GLPP-1DIMFLV3EX-PM |
| Crestron® | DIN-A08 |
| Crestron® | DIN-4DIMFLV4 |
| Crestron® | CLS-EXP-DIMFLV |
| Crestron® | CLCI-1DIMFLV2EX |
| ABB | SD/S 2.16.1 |



CYLINDER 2 SURFACE MOUNT

DRIVE CURRENT SPECIFICS

| | 80C | | | 90C | | | 97C | | | 90W |
|------------|------|------|------|------|------|------|------|------|------|----------|
| | 12A | 19A | 25A | 10A | 15A | 20A | 09A | 14A | 19A | 13A |
| Minimum Vf | 30.5 | 30.5 | 30.5 | 30.5 | 30.5 | 30.5 | 30.5 | 30.5 | 30.5 | 30.5 |
| Maximum Vf | 39 | 39 | 39 | 39 | 39 | 39 | 39 | 39 | 39 | 39 |
| Current mA | 250 | 400 | 550 | 250 | 400 | 550 | 250 | 400 | 550 | 14 - 350 |
| Wattage W | 8.2 | 13.6 | 19.4 | 8.2 | 13.6 | 19.4 | 8.2 | 13.6 | 19.4 | 11.8 |