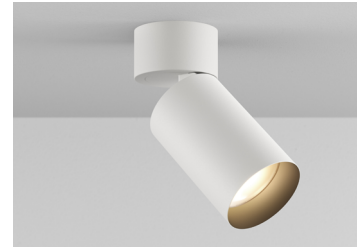


# CYLINDER 3 ADJUSTABLE SURFACE MOUNT

Highlight art, objects, places, spaces, seating areas, and architectural details with a classic profile that offers easy-to-adjust, in-field versatility.

PROJECT NAME:	TYPE:
---------------	-------



## ORDERING INFORMATION - CYLINDER



Quick Ship Product. All rough in components ship within 10 days up to quantities of 100.



JA8-2019 COMPLIANCE INDICATED BY SHADING

CYLINDER	FIXTURE	RATING	CYLINDER FINISH	LUMEN PACKAGE	CCT	OPTIC	DRIVER	EFFECTS DEVICE	MOUNTING
<b>CY3</b>									
CY3 3.25"	<b>AD</b> Standard 60° <b>9D</b> Max 90° Tilt* <small>*(Not available for Wet location; increased lead time)</small> <b>AS</b> Standard 60° Shallow Canopy* <small>*(Remote driver only; increased lead time)</small> <b>9S</b> Max 90° Tilt Shallow Canopy* <small>*(Not available for Wet location; Remote driver only; increased lead time)</small> <b>AW</b> Adjustable Wallwash 60°* <small>*(Not available for Wet location)</small>	1 Dry/Damp 2 Wet	<b>WH</b> White <b>BK</b> Black <b>AB</b> Architectural Bronze* <small>*(Increased lead time)</small> <b>AG</b> Satin Silver* <small>*(Increased lead time)</small> <b>MA</b> Machined Aluminum* <small>*(Not available for 9D, 9S or Wet location)</small> <b>CF</b> Custom Finish* <small>*(Consult Factory)</small>	<b>LOW FLUX STATIC WHITE</b> <b>80C19A</b> 80+ CRI AD / 9D / AS / 9S Dlvd. Lumens - 1127 AW Dlvd. Lumens - 863 <b>80C25A</b> 80+ CRI AD / 9D / AS / 9S Dlvd. Lumens - 1502 AW Dlvd. Lumens - 1151 <b>90C15A</b> 90+ CRI AD / 9D / AS / 9S Dlvd. Lumens - 905 AW Dlvd. Lumens - 740 <b>90C20A</b> 90+ CRI AD / 9D / AS / 9S Dlvd. Lumens - 1287 AW Dlvd. Lumens - 987 <b>97C14A</b> 97+ CRI AD / 9D / AS / 9S Dlvd. Lumens - 863 AW Dlvd. Lumens - 662 <b>97C19A</b> 97+ CRI AD / 9D / AS / 9S Dlvd. Lumens - 1151 AW Dlvd. Lumens - 883	22 2200K* <small>*(Only available for 90+ CRI)</small> 27 2700K 30 3000K 35 3500K 40 4000K	10 10°* <small>*(Only available for 80C19A, 90C15A, and 97C14A. Not available for 2200K)</small> 15 15° 25 25° 40 40° 60 60° <b>WW</b> Wallwash* <small>*(Required and only available for AW fixture)</small>	<b>INTEGRAL</b> <b>CA2</b> 120-277V 0-10V Analog <b>CE2</b> 120V Electronic ELV Forward / Reverse Phase <b>REMOTE (120V)</b> <b>TR2</b> Philips, 2% Leading / Trailing / Triac* <small>*(Only available for 80C19A, 90C15A, 97C14A, and Warm Dim)</small> <b>L23</b> Lutron, Hi-Lume 1% 2-Wire <b>REMOTE (120-277V)</b> <b>LH1</b> Lutron, Hi-Lume Ecosystem 1% Fade to Black <b>LP1</b> Lutron, Hi-Lume Premier Ecosystem 0.1% Fade to Black <b>AN4</b> Philips Xitanium 1% 0-10V, LOG <b>LN2</b> Philips Xitanium 1% 0-10V, LIN <b>EA2</b> eldoLED, SOLOdrive 0.1% 0-10V, LOG <b>LA2</b> eldoLED, SOLOdrive 0.1% 0-10V, LIN <b>ED1</b> eldoLED, SOLOdrive 0.1% DALI, LOG <b>LD1</b> eldoLED, SOLOdrive 0.1% DALI, LIN	<b>STANDARD EFFECTS DEVICE</b> <b>4</b> Soft Focus Lens <b>N</b> No Lens* <small>*(Standard for 10" optic. Not available for Wet location or Warm Dim)</small> <b>W</b> Wallwash Lens* <small>*(Required and only available for AW fixture)</small> <b>ALTERNATE EFFECTS DEVICE</b> <b>2</b> Honeycomb Louver* <small>*(Not available for Wet location or Warm Dim)</small> <b>3</b> Clear Glass Lens* <small>*(Not available for Warm Dim)</small> <b>5</b> Frosted Glass Lens <b>6</b> Frosted Soft Focus Lens <b>7</b> Frosted Linear Spread Lens	<b>ROUGH-IN</b> <b>JBMP</b> 4" Sq. or 4/0 Junction Box Mounting Plate <small>Ⓢ</small> <b>ZERO</b> Recessed Zero-Sightline Housing, 0.5" - 1.625" Ceiling Thickness* <small>*(Not available for AS or 9S)</small> <b>FINISH OUT</b> <b>SMK3</b> 3/0 Surface Mount Kit <small>Ⓢ</small> <b>SMK4</b> 4/0 Surface Mount Kit <small>Ⓢ</small> <b>CMJB</b> 1/2" and 3/4" Conduit Ceiling Mount Junction Box* <small>*(Not available for Wet location or MA finish. Quick Ship Product for WH and BK finishes only)</small> <small>Ⓢ</small>
				<b>HIGH FLUX STATIC WHITE</b> <b>80C32A</b> 80+ CRI AD / 9D / AS / 9S Dlvd. Lumens - 1961 AW Dlvd. Lumens - 1503 <b>90C27A</b> 90+ CRI AD / 9D / AS / 9S Dlvd. Lumens - 1680 AW Dlvd. Lumens - 1288 <b>97C24A</b> 97+ CRI AD / 9D / AS / 9S Dlvd. Lumens - 1503 AW Dlvd. Lumens - 1152	27 2700K 30 3000K 35 3500K* <small>*(Not available for 97+ CRI)</small> 40 4000K	15 15° 25 25° 40 40° 60 60° <b>WW</b> Wallwash* <small>*(Required and only available for AW fixture)</small>	<b>ALTERNATE EFFECTS DEVICE</b> <b>3</b> Clear Glass Lens* <small>*(Not available for Warm Dim)</small> <b>5</b> Frosted Glass Lens <b>6</b> Frosted Soft Focus Lens <b>7</b> Frosted Linear Spread Lens	<b>SMK3</b> 3/0 Surface Mount Kit <small>Ⓢ</small> <b>SMK4</b> 4/0 Surface Mount Kit <small>Ⓢ</small> <b>CMJB</b> 1/2" and 3/4" Conduit Ceiling Mount Junction Box* <small>*(Not available for Wet location or MA finish. Quick Ship Product for WH and BK finishes only)</small> <small>Ⓢ</small>	
				<b>WARM DIM</b> <b>90W11A</b> 90+ CRI, Incandescent Profile AD / 9D / AS / 9S Dlvd. Lumens - 941 AW Dlvd. Lumens - 613 <b>90W13A</b> 90+ CRI, Halogen Profile AD / 9D / AS / 9S Dlvd. Lumens - 991 AW Dlvd. Lumens - 645 <small>*SEE PAGE 3 FOR DETAILED WARM DIM PROFILE COMPARISON.</small> <small>*ALL DELIVERED LUMEN OUTPUTS AND T24 COMPLIANCE REFLECT 3000K PAIRED WITH 40° / WW OPTIC AND STANDARD EFFECTS DEVICE. REFERENCE PAGE 3 FOR ADDITIONAL T24 COMPLIANT CONFIGURATIONS.</small>	<b>WL</b> 2700K - 1800K <b>WD</b> 3200K - 1800K	25 25° 40 40° 60 60° <b>WW</b> Wallwash* <small>*(Required and only available for AW fixture)</small>	<b>ALTERNATE EFFECTS DEVICE</b> <b>5</b> Frosted Glass Lens <b>6</b> Frosted Soft Focus Lens <b>7</b> Frosted Linear Spread Lens	<b>SMK3</b> 3/0 Surface Mount Kit <small>Ⓢ</small> <b>SMK4</b> 4/0 Surface Mount Kit <small>Ⓢ</small> <b>CMJB</b> 1/2" and 3/4" Conduit Ceiling Mount Junction Box* <small>*(Not available for Wet location or MA finish. Quick Ship Product for WH and BK finishes only)</small> <small>Ⓢ</small>	



## PART NUMBER NOTES

- Adjustable ships as e.g., CY3-AD-1-WH-90C20A2-3-RMT-4
- Remote driver ships as e.g., PS-RMT-90C20A-1L23
- JBMP ships as CY2/3-JBMP
- SMK ships as CY2/3-SMK-{3/0 Or 4/0}-(finish)
- CMJB ships as CY3-CMJB-(finish)
- Zero-Sightline housing ships as DH-IC-CY3
- Zero-Sightline Appliqué ships as DLA-APP-CY3-1

# CYLINDER 3 ADJUSTABLE SURFACE MOUNT

## ACCESSORIES

### ALTERNATE EFFECTS DEVICES

**HCL-CY3-03** Honeycomb Louver \*

\*(Not available for Wet location or Warm Dim)

**CGL-CY3-03** Clear Glass Lens \*

\*(Not available for Warm Dim)

**SFL-CY3-03** Soft Focus Lens

**FGL-CY3-03** Frosted Glass Lens

**FSFL-CY3-03** Frosted Soft Focus Lens

**FLSL-CY3-03** Frosted Linear Spread Lens

### LOW FLUX AND WARM DIM REPLACEMENT OPTICS

Interchangeable optics accessible by removing snoot or baffle. Not available for Wallwash fixtures.

**RO-70-15-1** 15° optic \*

\*(Not available for Warm Dim)

**RO-70-25-1** 25° optic

**RO-70-40-1** 40° optic

**RO-70-60-1** 60° optic

### HIGH FLUX REPLACEMENT OPTICS

Interchangeable optics accessible by removing snoot or baffle. Not available for Wallwash fixtures.

**RO-70-15-2** 15° optic

**RO-70-25-2** 25° optic

**RO-70-40-2** 40° optic

**RO-70-60-2** 60° optic

# CYLINDER 3 ADJUSTABLE SURFACE MOUNT

## STATIC WHITE PERFORMANCE - 3000K

LUMEN PACKAGE	WATTAGE	10° OPTIC NO SOFT FOCUS LENS		15° OPTIC SOFT FOCUS LENS		25° OPTIC SOFT FOCUS LENS		40° OPTIC SOFT FOCUS LENS		60° OPTIC SOFT FOCUS LENS		WW OPTIC WALLWASH LENS	
		DELIVERED	LPW	DELIVERED	LPW	DELIVERED	LPW	DELIVERED	LPW	DELIVERED	LPW	DELIVERED	LPW
80C19A	17	1040	60	1352	80	1145	67	1127	66	1202	71	863	51
80C25A	24	-	-	1802	76	1527	63	1502	63	1602	67	1151	48
80C32A	33	-	-	2353	71	1993	60	1961	59	2092	63	1503	46
90C15A	17	882	51	1158	68	987	58	905	53	1030	61	740	44
90C20A	24	-	-	1544	65	1308	54	1287	54	1373	58	987	41
90C27A	33	-	-	2016	61	1708	51	1680	51	1792	54	1288	39
97C14A	17	731	43	1037	61	878	51	863	51	921	54	662	39
97C19A	24	-	-	1382	58	1171	48	1151	48	1228	51	883	37
97C24A	33	-	-	1804	55	1228	46	1503	46	1603	49	1152	35
90W11A	16	-	-	-	-	994	62	941	59	986	62	613	38
90W13A	16	-	-	-	-	1046	65	991	62	1038	65	645	40



JA8-2019 INDICATED BY SHADING

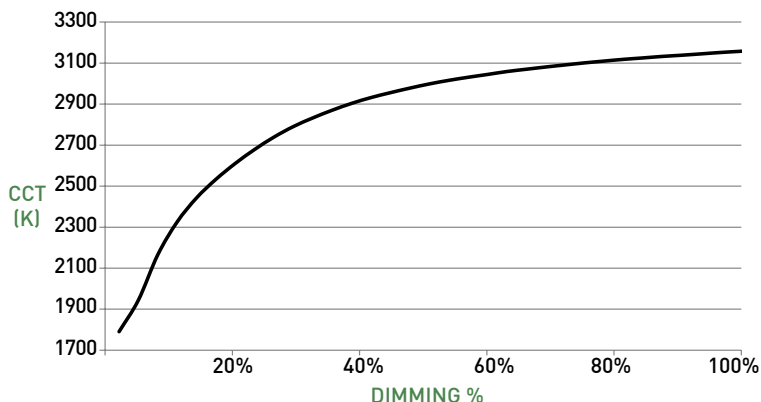
OUTPUT MULTIPLIER	
CCT	CCT SCALE
2200K (Consult factory for JA8 details)	0.800
2700K	0.957
3000K	1.000
3500K	1.019
4000K	1.030

LIGHT LOSS FACTOR MULTIPLIER	
No Lens	1.05
CGL	1.05
SFL	1.00
FGL	0.90
FSFL	0.87
FSL	0.83
HCL	0.65

## WARM DIM PERFORMANCE - SOFT FOCUS LENS - 40° OPTIC

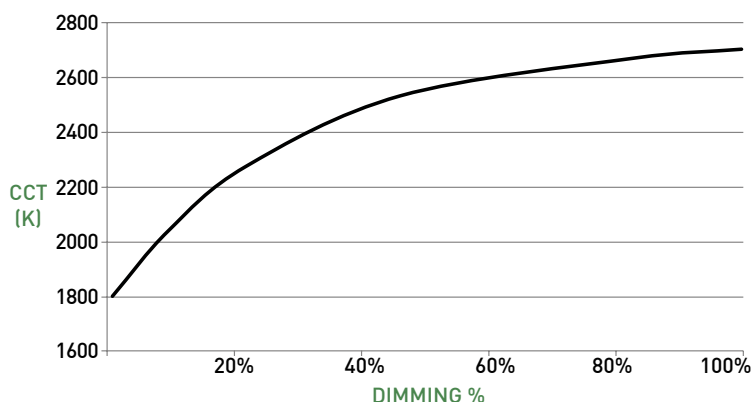
WARM DIM TO MIRROR HALOGEN DIMMING PROFILE

90W13A 3200K - 1800K	Full on 100%	Dimmed to 80%	Dimmed to 70%	Dimmed to 50%	Dimmed to 20%	Dimmed to 10%	Dimmed to 2%
CCT (K)	3200	3150	3100	3000	2700	2200	1800
Light Output (Lm)	991	793	694	495	198	99	20
Power (W)	16	13	11	8	3	1.7	0.3
Efficacy (LPW)	62	62	62	62	62	62	62



WARM DIM TO MIRROR INCANDESCENT DIMMING PROFILE

90W11A 2700K - 1800K	Full on 100%	Dimmed to 80%	Dimmed to 70%	Dimmed to 50%	Dimmed to 20%	Dimmed to 10%	Dimmed to 2%
CCT (K)	2700	2650	2620	2520	2180	1950	1800
Light Output (Lm)	941	753	659	470	188	94	18
Power (W)	16	13	11	8	3	1.7	0.3
Efficacy (LPW)	59	59	59	59	59	59	59

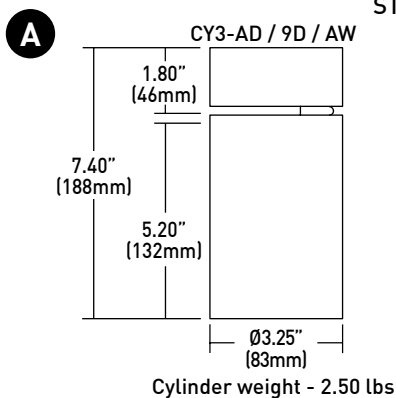


# CYLINDER 3 ADJUSTABLE SURFACE MOUNT

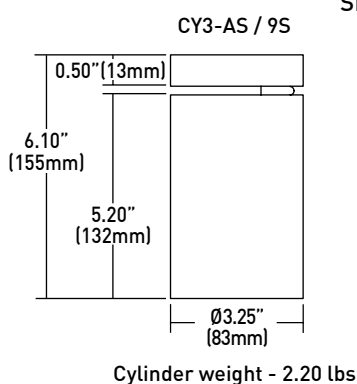
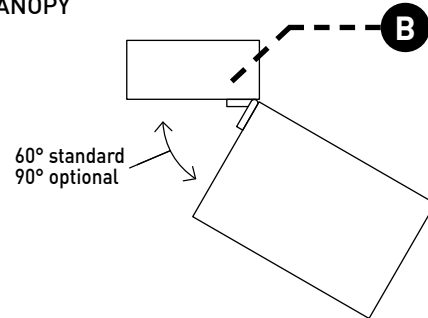
## CYLINDER ASSEMBLY

- A LUMINAIRE**  
Body with integrated heat sink and LED. Conceals hidden twist-on mounting hardware. Power supply may be integral or remote mount.
- B STANDARD CANOPY**  
Die-cast canopy accommodates flat and slope ceiling conditions. Conceals hidden twist-on mounting hardware. "AD" (60° tilt, 357° rotation) and "9D" (90° tilt, 357° rotation) canopy features 1.80" (46mm) tall canopy. Available with integral or remote driver.
- C SHALLOW CANOPY**  
Die-cast canopy accommodates flat and slope ceiling conditions. Conceals hidden twist-on mounting hardware. "AS" (60° tilt, 357° rotation) and "9S" (90° tilt, 357° rotation) canopy features 0.50" (13mm) tall canopy, reducing overall height. Requires remote power supply.
- D STANDARD OPTICS**  
Proprietary optics available in 10°, 15°, 25°, 40° & 60° beams.
- WALLWASH OPTIC**  
Precision tuned optic provides uniform wallwashing effect.
- E EFFECTS DEVICE**  
Fixture body and accepts 1 lens; soft focus lens, no lens or wallwash lens standard. Sealed in place for Wet locations.
- F BAFFLE**  
Threaded removable cowling provides virtually seamless joint with fixture body.

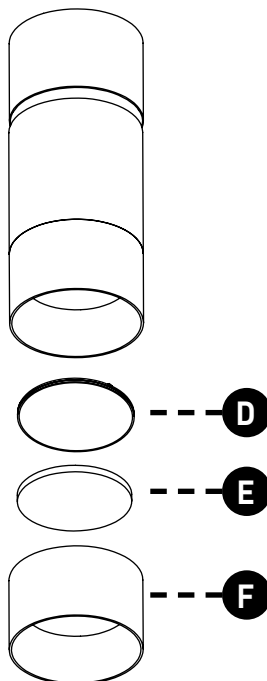
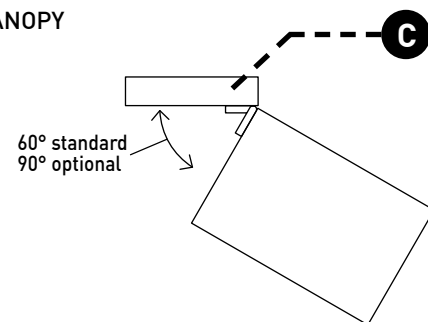
## DIMENSIONS / DRAWINGS



### STANDARD CANOPY



### SHALLOW CANOPY

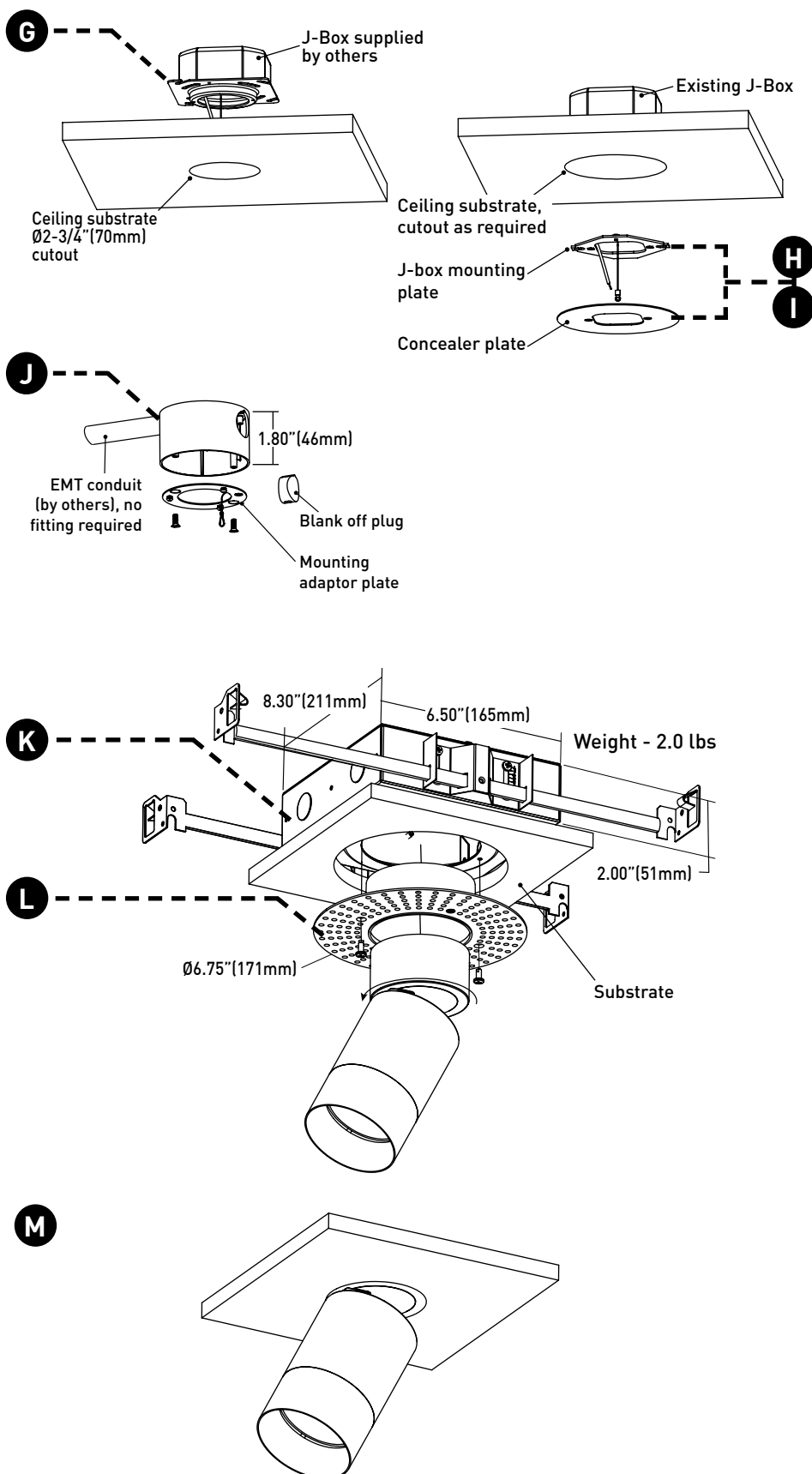


# CYLINDER 3 ADJUSTABLE SURFACE MOUNT

## MOUNTING

- G JBMP**  
Mounting plate (concealed) for standard 4" square or 4" 4/0 j-box . To be installed during rough-in prior to substrate. Fixture to mount flush with minimalist transition to ceiling.
- H SMK3**  
Surface mount kit includes mounting plate and 4" concealer plate that installs between fixture and standard 3" 3/0 j-box for existing applications where standard j-box cutout is to be concealed.
- I SMK4**  
Surface mount kit includes mounting plate and 5" concealer plate that installs between fixture and standard 4" 4/0 j-box for existing applications where standard j-box cutout is to be concealed.
- J CMJB**  
Ceiling mount junction box perfectly matches the cylinder profile for a continuous, integrated look where exposed ceiling mount junction box and conduit applications apply. For use with 1/2" and 3/4" EMT conduit only. Features two conduit entrances on either side and one conduit knockout on top of j-box. J-box is IP10 rated; painted finishes only. Blank off plugs included.

## DIMENSIONS / DRAWINGS



## MOUNTING NOTES

- CY2/3-JBMP and CY2/3-SMK-3/0 & 4/0 not recommended for use with pancake style j-box.

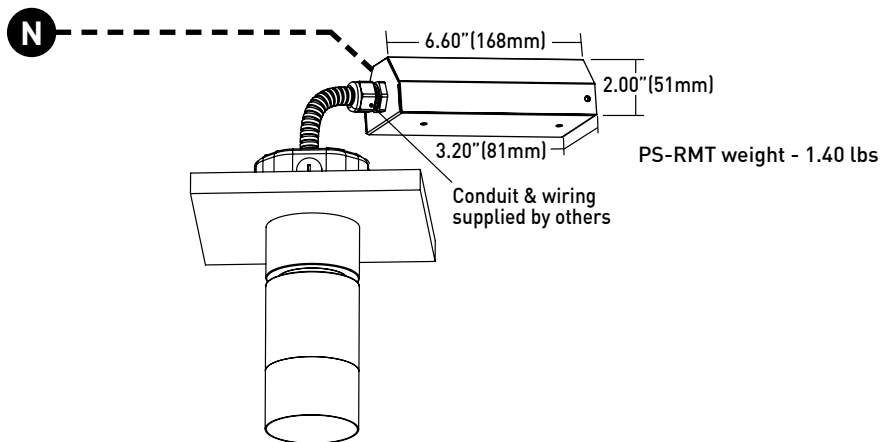
## ZERO-SIGHTLINE

- This mounting option ships with a compact housing that acts as a junction box and allows to cylinder to be installed so the standard canopy is recessed into the ceiling providing a flush or "zero-sightline" aesthetic. It requires the appliqué to be mudded in and finished with the drywall.
- Accommodates ceiling thicknesses of 0.5" - 1.625".
- K IC HOUSING**  
No setback from polycell spray foam insulation having max R-Value of 60 on all sides and top of housing.
- L APPLIQUÉ**  
Zero-sightline appliqué specified separately and required for installation; standard plaster stop thickness of 1/16". Not recommended for stucco applications.
- M MINIMAL PROFILE**  
When housing and appliqué are installed according to manufacturer's instructions, and ceiling conditions are met, cylinder canopy is recessed into and flush with the ceiling plane.

# CYLINDER 3 ADJUSTABLE SURFACE MOUNT

## REMOTE POWER SUPPLY

- N PS-RMT**  
Remote power supply provides additional driver options. Mounting device still required. Consult install guide for maximum allowable secondary run lengths between PS-RMT and cylinder.



# CYLINDER 3 ADJUSTABLE SURFACE MOUNT

## TECHNICAL

### CONSTRUCTION

**Cylinder:** Die-cast aluminum body; extruded aluminum internal heat-sink; painted finishes are granulated powder coat.

**CMJB:** Die-cast aluminum body; painted finishes are granulated powder coat.

**Remote Power Supply:** 22 Gauge galvanized steel.

### STATIC WHITE LED

2-step MacAdam ellipse LED module available in 80+, 90+ and 97+ CRI configurations in color temperatures of 2200K, 2700K, 3000K, 3500K and 4000K. Average rated lamp life: 50,000 hours. LED and driver assemblies are field-replaceable.

### WARM DIM LED

3-step MacAdam ellipse warm dim LED module available in 90+ CRI configuration. 3200K or 2700K at full brightness, warming to 1800K at full dim. Average rated lamp life of 50,000 hours. LED and driver assemblies are field-replaceable.

### POWER SUPPLY PERFORMANCE AND DIMMING INFORMATION

Power Supply	CA2	CE2	TR2	L23	LH1	LP1	AN4	LN2	EA2	LA2	ED1	LD1
Minimum °C	-20 °C	-20 °C	-20 °C	0 °C	0 °C	0 °C	-20 °C	-20 °C	-20 °C	-20 °C	-20 °C	-20 °C
Maximum °C	40 °C	40 °C	40 °C	40 °C	40 °C	40 °C	40 °C	40 °C	40 °C	40 °C	40 °C	40 °C
Dimming %	1.0%	1.0%	2.0%	1.0%	1.0%	0.1%	1.0%	1.0%	0.1%	0.1%	0.1%	0.1%

Note: For TR2, L23, LH1, LP1, AN4, LN2, EA2 and LA2 drivers consult chart on page 8 to confirm appropriate dimming curve for compatibility with selected control.

### WALLWASH SPACING AND TILT

Cylinder must be tilted to achieve wallwashing effect. Recommended fixture spacing is 36" (914mm) on center with 36" (914mm) setback from wall plane with 30° tilt.

### MOUNTING

Cylinder is supplied with a mounting adaptor plate, which integrates with required additional mounting accessories specified separately according to field application conditions, providing a minimalist transition from standard 4/0 or 4" square junction boxes and accommodating ceiling thicknesses of 0.44" (12mm) to 0.75" (19mm). Ceiling-mount junction box available for 1/2" (13mm) and 3/4" (19mm) conduit and feature concealed internal clamps for clean fitting-free conduit exit and entry.

### LISTING

cTUVus listed to UL1598 standard for Dry / Damp (IP14) and Wet (IP54) locations. Title 24 JA8-2019 Listed.

### WARRANTY

Manufacturer's 1-year warranty guarantees product(s) listed to be free from defects in material and workmanship under normal use and service. 5-year warranty on LED and power supply to operate with 70% of the original flux and remain within a range of 3 duv. 10-year Lutron Advantage limited warranty available on Lutron equipped systems. Warranty period begins from the date of shipment by Seller and conditional upon the use of manufacturer-supplied power supply. Consult [website](#) for full warranty terms and conditions.

### CHANGE LOG

- 01/12/2021: ADDED ZERO-SIGHTLINE HOUSING MOUNTING OPTION.
- 01/12/2021: ADDED 2200K, 2700K-1800K WARM DIM AND 10 DEGREE OPTIC OFFERINGS.
- 04/26/2021: ADDED LP1 DRIVER OFFERING.
- 11/17/2021: UPDATED 25° PHOTOMETRICS.

# CYLINDER 3 ADJUSTABLE SURFACE MOUNT

## DIMMING COMPATIBILITY

### PHILIPS DRIVER COMPATIBILITY

Power supply <b>TR2</b> Manufacturer	Family/Model #
Lutron Electronics	DV-600P
Lutron Electronics	DVELV-303P
Lutron Electronics	NTELV-600
Lutron Electronics	MAELV-600
Lutron Electronics	SELV-300P
Lutron Electronics	DVLV-600P
Lutron Electronics	NFTU-5A
Lutron Electronics	CTCL-153P
Lutron Electronics	GL-600H
Lutron Electronics	S-600P
Lutron Electronics	PHPM
Power supply <b>AN4 / LN2</b> Manufacturer	Family/Model #
Lutron Electronics	DVTV plus PP-DV
Lutron Electronics	DVSCTV plus PP-DV
Lutron Electronics	DVSTV
Lutron Electronics	DVSCSTV
Lutron Electronics	QSGRJ-XP plus GRX-TVI
Lutron Electronics	QSGRJ-XE plus GRX-TVI
Lutron Electronics	QSGR-XE plus GRX-TVI
Lutron Electronics	NFTV plus PP-DV
Lutron Electronics	NTSTV
Lutron Electronics	RMJ-5T
Lutron Electronics	RMJS-8T
Lutron Electronics	FCJS-010
Leviton	IllumaTch IP7 series
Philips	Sunrise - SR1200ZTUNV

### LUTRON DRIVER COMPATIBILITY

Power supply <b>L23</b> Lutron Product Family	Part No.
Maestro WirelessR 600 W dimmer	MRF2-6ND-120-
Maestro WirelessR 1000 W dimmer	MRF2-10ND-120-
Caséta® Wireless Pro 1000 W dimmer	PD-10NXD-
GRAFIK T™ CL® dimmer	GT-250M-GTJ-250M-
HomeWorks® QS adaptive dimmer	HQRD-6NA-
HomeWorks® QS 600 W dimmer	HQRD-6ND-
HomeWorks® QS 1000 W dimmer	HQRD-10ND-
RadioRA® 2 adaptive dimmer	RRD-6NA-
RadioRA® 2 1000 W dimmer	RRD-10ND
myRoom™ DIN power module	MQSE-4A1-D
HomeWorks® QS DIN power module	LQSE-4A1-D
HomeWorks® QS wallbox power module	HQRJ-WPM-6D-120
HomeWorks® wallbox power module	HWI-WPM-6D-120
GRAFIK Eye® QS control unit	QSGR-, QSGRJ-
GRAFIK Eye® 3000 control unit	GRX-3100-GRX-3500-
RPM-4U module (LCP, HomeWorks® QS, GRAFIK Systems™, Quantum®)	HW-RPM-4U-120 LP-RPM-4U-120
RPM-4A module (LCP, HomeWorks® QS, GRAFIK Systems™, Quantum®)	HW-RPM-4A-120, LP-RPM-4A-120
GP dimming panels	Various
Ariadni CL 250W dimmer	AYCL-253P-
Diva CL 250W dimmer	DVCL-253P-DCSCCL-253P-
Nova T CL 250W dimmer	NTCL-250-
Power supply <b>LH1 / LP1</b> Lutron Product Family	Part No.
PowPak Dimming Modules	RMJ-ECO32-DV-B
PowPak Dimming Modules	FCJ/FCJS-ECO
Energi Savr Nodes	QSN-1ECO-S
GRAFIK Eye QS control unit	QSN-2ECO-S
Homeworks QS control unit	QSGRJ- _E (wireless)
GRAFIK Eye QS control unit	QSGR- _E
Homeworks QS control unit	QSGR- _E
Quantum Hub	QP2-__ 2C
Quantum Hub	QP2-__ 4C
Quantum Hub	QP2-__ 6C
Quantum Hub	QP2-__ 8C
Homeworks QS power module	LQSE-2ECO-D
myRoom Plus power module	

### eldoLED DRIVER COMPATIBILITY

Power supply <b>EA2 / LA2</b> Dimmer / Switch Control Manufacturer	Family/Model #
Busch-Jaeger	2112U-101
Jung	240-10
Leviton Lighting Controls	IP710-DLX
Lightolier Controls	ZP600FAM120
Lutron Electronics	Nova T® - NTFTV
Lutron Electronics	Div@® - DVTV
Lutron Electronics	Nova@® - NFTV
Merten	5729
Pass & Seymour	CD4FB-W
The Watt Stopper	DCLV1
Sensor Switch	nI0 EZ
Synergy	ISD BC
Power supply <b>EA2 / LA2</b> Lighting Control Systems Manufacturer	Family/Model #
Lutron Electronics	GrafixEye® GRX-TVI w GRX3503
Lutron Electronics	Energy Savr Node™ - QSN-4T16-S
Lutron Electronics	TVM2 Module
Crestron®	GLX-DIMFLV8
Crestron®	GLXP-DIMFLV8
Crestron®	GLPAC-DIMFLV4-*
Crestron®	GLPAC-DIMFLV8-*
Crestron®	GLPP-DIMFLVEX-PM
Crestron®	GLPP-1DIMFLV2EX-PM
Crestron®	GLPP-1DIMFLV3EX-PM
Crestron®	DIN-A08
Crestron®	DIN-4DIMFLV4
Crestron®	CLS-EXP-DIMFLV
Crestron®	CLCI-1DIMFLV2EX
ABB	SD/S 2.16.1

