

# CYLINDER 1

## SUSPENDED MOUNT

|               |       |
|---------------|-------|
| PROJECT NAME: | TYPE: |
|---------------|-------|



Highlight art, objects, places, spaces, seating areas, and architectural details with a classic profile that offers easy-to-adjust, in-field versatility.

### ORDERING INFORMATION - CYLINDER

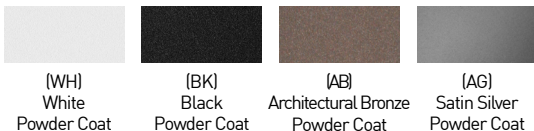


Quick Ship Product. All rough in components ship within 10 days up to quantities of 100.



JA8-2019 COMPLIANCE INDICATED BY SHADING

| CYLINDER   | LENGTH   | FIXTURE   | RATING     | CYLINDER FINISH                    | BAFFLE FINISH   | LUMEN PACKAGE   | OCT   | OPTIC  | DRIVER  | EFFECTS DEVICE   | MOUNTING   |   |   |   |   |  |  |  |   |   |   |  |   |   |  |   |   |   |  |  |                         |  |  |
|--|--|---|------------|------------------------------------|-----------------|---|---|--|---|--|--|---|---|---|---|--|--|--|---|---|---|--|---|---|--|---|---|---|--|--|-------------------------|--|--|
| <b>CD1</b>                                       |  |   | <b>1</b>   |                                    | <b>BK</b>       |   |   |  |   |  |  |   |   |   |   |  |  |  |   |   |   |  |   |   |  |   |   |   |  |  |                         |  |  |
| <b>Dropkit STEM ASSEMBLY</b><br><b>CD1 2.50"</b> | <b>043</b> 2" - 43"<br>Mechanical Dropkit Stem | <b>AD</b> Standard 42°<br><b>9D</b> Max 90° Tilt*<br>*(Increased lead time) | 1 Dry/Damp | <b>WH</b> White<br><b>BK</b> Black | <b>BK</b> Black | <b>STATIC WHITE</b><br><b>80C12A</b> 80+ CRI, Delivered Lumens - 790<br><b>80C19A</b> 80+ CRI, Delivered Lumens - 1216<br><b>90C10A</b> 90+ CRI, Delivered Lumens - 676<br><b>90C15A</b> 90+ CRI, Delivered Lumens - 1039<br><b>97C09A</b> 97+ CRI, Delivered Lumens - 603<br><b>97C14A</b> 97+ CRI, Delivered Lumens - 925 | <b>22</b> 2200K*<br>*(Only available for 90+ CRI) | <b>10</b> 10°**<br>*(Only available for 80C12A, 90C10A, and 97C09A. Not available for 2200K) | <b>INTEGRAL</b><br><b>CA2</b> 120-277V<br>0-10V Analog<br><b>CE2</b> 120V Electronic<br>ELV Forward / Reverse Phase | <b>STANDARD EFFECTS DEVICE</b><br><b>4</b> Soft Focus Lens | <b>ROUGH-IN</b><br><b>JBMP</b> 4" Sq. or 4/0 Junction Box Mounting Plate |   |   |   |   |  |  |  |   |   |   |  |   |   |  |   |   |   |  |  |                         |  |  |
|  |  |   |            |                                    |                 |   |   |  |   |  |  | <b>086</b> 45" - 86"<br>Mechanical Dropkit Stem | <b>AS</b> Standard 42°<br>Shallow Canopy*<br>*(Remote driver only; increased lead time) | <b>AB</b> Architectural Bronze*<br>*(Increased lead time) | <b>AG</b> Satin Silver*<br>*(Increased lead time) | <b>CF</b> Custom Finish*<br>*(Consult Factory) | <b>27</b> 2700K<br><b>30</b> 3000K<br><b>35</b> 3500K<br><b>40</b> 4000K | <b>15</b> 15°<br><b>20</b> 20°<br><b>40</b> 40°<br><b>60</b> 60° | <b>REMOTE (120V)</b><br><b>TR2</b> Philips, 2% Leading Trailing / Triac*<br>*(Not available for 80C12A, 90C12A, and 97C09A unless 10° optic is specified) | <b>ALTERNATE EFFECTS DEVICE</b><br><b>0</b> No Lens*<br>*(Standard for 10° optic. Not available for Warm Dim) | <b>FINISH OUT</b><br><b>SMK3</b> 3/0 Surface Mount Kit<br><b>SMK4</b> 4/0 Surface Mount Kit |  |   |   |  |   |   |   |  |  |                         |  |  |
|  |  |   |            |                                    |                 |   |   |  |   |  |  |   |   |   |   |  |  |  |   |   |   | <b>129</b> 88" - 129"<br>Mechanical Dropkit Stem | <b>9S</b> Max 90° Tilt<br>Shallow Canopy*<br>*(Remote driver only; increased lead time) | <b>90W11A</b> 90+ CRI, Delivered Lumens - 869<br>Incandescent Profile | <b>WL</b> 2700K - 1800K<br><b>60</b> 60° | <b>L23</b> Lutron, Hi-Lume<br>1% 2-Wire | <b>2</b> Honeycomb Louver*<br>*(Not available for Warm Dim) | <b>3</b> Clear Glass Lens*<br>*(Not available for Warm Dim) |  |  |                         |  |  |
|  |  |   |            |                                    |                 |   |   |  |   |  |  |   |   |   |   |  |  |  |   |   |   |  |   |   |  |   |   |   | <b>172</b> 131" - 172"<br>Mechanical Dropkit Stem<br>*(All lengths are field cuttable) | <b>90W13A</b> 90+ CRI, Delivered Lumens - 915<br>Halogen Profile | <b>WD</b> 3200K - 1800K | <b>REMOTE (120-277V)</b><br><b>LH1</b> Lutron, Hi-Lume<br>1% Ecosystem<br><b>AN4</b> Philips Titanium<br>1% 0-10V, LOG<br><b>LN2</b> Philips Titanium<br>1% 0-10V, LIN<br><b>EA2</b> eLdoLED, SOLOdrive<br>0.1% 0-10V, LOG<br><b>LA2</b> eLdoLED, SOLOdrive<br>0.1% 0-10V, LIN<br><b>ED1</b> eLdoLED, SOLOdrive<br>0.1% DALI, LOG<br><b>LD1</b> eLdoLED, SOLOdrive<br>0.1% DALI, LIN | <b>5</b> Frosted Glass Lens<br><b>6</b> Frosted Soft Focus Lens<br><b>7</b> Frosted Linear Spread Lens |
|  |  |   |            |                                    |                 |   |   |  |   |  |  |   |   |   |   |  |  |  |   |   |   |  |   |   |  |   |   |   |  |  |                         |  |  |



### Dropkit STEM NOTES

- CD1 ships as e.g., CY1-AD-1-WH-90C10A2-3-RMT-4
- Remote driver ships as e.g., PS-RMT-90C10A-1L23
- JBMP ships as CD-JBMP
- SMK3 ships as CD-SMK-3/0-(finish)
- SMK4 ships as CD-SMK-4/0-(finish)
- CMJB ships as CD-CMJB-(finish)
- Stem Assembly ships as CY1-DK-(length)-(finish)

# CYLINDER 1 SUSPENDED MOUNT

## ACCESSORIES

### ALTERNATE EFFECTS DEVICES

- HCL-CY1-03** Honeycomb Louver \*  
\*(Not available for Warm Dim)
- CGL-CY1-03** Clear Glass Lens \*  
\*(Not available for Warm Dim)
- SFL-CY1-03** Soft Focus Lens
- FGL-CY1-03** Frosted Glass Lens
- FSFL-CY1-03** Frosted Soft Focus Lens
- FLSL-CY1-03** Frosted Linear Spread Lens

### REPLACEMENT OPTICS

- Interchangeable optics accessible by removing snoot.
- RO-50-15-2** 15° optic \*  
\*(Not available for Warm Dim)
  - RO-50-20-2** 20° optic
  - RO-50-40-2** 40° optic
  - RO-50-60-2** 60° optic

## STATIC WHITE PERFORMANCE - 3000K

| LUMEN PACKAGE | WATTAGE | 10° OPTIC<br>NO SOFT FOCUS LENS |          | 15° OPTIC<br>SOFT FOCUS LENS |     | 20° OPTIC<br>SOFT FOCUS LENS |     | 40° OPTIC<br>SOFT FOCUS LENS |     | 60° OPTIC<br>SOFT FOCUS LENS |     |
|---------------|---------|---------------------------------|----------|------------------------------|-----|------------------------------|-----|------------------------------|-----|------------------------------|-----|
|               |         | DELIVERED                       | LPW      | DELIVERED                    | LPW | DELIVERED                    | LPW | DELIVERED                    | LPW | DELIVERED                    | LPW |
| 80C12A        | 10      | 693                             | 40 (17W) | 884                          | 88  | 665                          | 67  | 790                          | 79  | 791                          | 79  |
| 80C19A        | 17      | -                               | -        | 1363                         | 81  | 1024                         | 60  | 1216                         | 76  | 1218                         | 72  |
| 90C10A        | 10      | 587                             | 34 (17W) | 731                          | 73  | 569                          | 57  | 676                          | 68  | 676                          | 68  |
| 90C15A        | 17      | -                               | -        | 1127                         | 67  | 874                          | 51  | 1039                         | 61  | 1040                         | 61  |
| 97C09A        | 10      | 542                             | 31 (17W) | 666                          | 67  | 508                          | 51  | 603                          | 60  | 604                          | 61  |
| 97C14A        | 17      | -                               | -        | 1028                         | 61  | 779                          | 46  | 925                          | 54  | 926                          | 55  |
| 90W11A        | 16      | -                               | -        | -                            | -   | 739                          | 47  | 869                          | 54  | 873                          | 55  |
| 90W13A        | 16      | -                               | -        | -                            | -   | 785                          | 49  | 915                          | 57  | 919                          | 57  |

| OUTPUT MULTIPLIER                          |           |
|--|-----------|
| CCT  | CCT SCALE |
| 2200K<br>(Consult factory for JA8 details) | 0.800     |
| 2700K                                      | 0.957     |
| 3000K                                      | 1.000     |
| 3500K                                      | 1.019     |
| 4000K                                      | 1.030     |

| LIGHT LOSS FACTOR MULTIPLIER |      |
|------------------------------|------|
| No Lens                      | 1.05 |
| CGL                          | 1.05 |
| SFL                          | 1.00 |
| FGL                          | 0.90 |
| FSFL                         | 0.87 |
| FLSL                         | 0.83 |
| HCL                          | 0.65 |

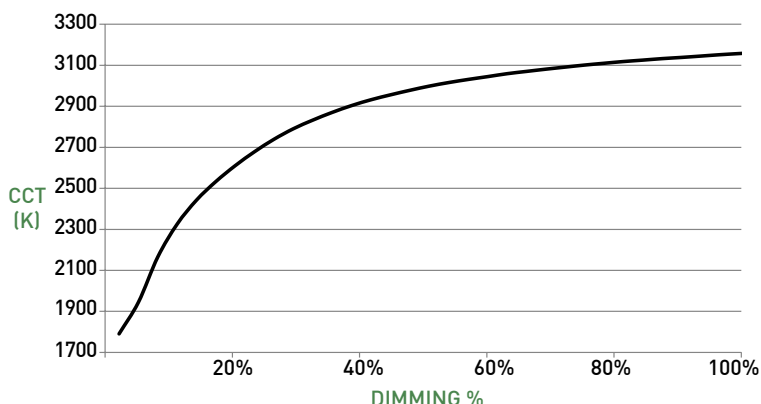


JA8-2019 INDICATED BY SHADING

## WARM DIM PERFORMANCE - SOFT FOCUS LENS - 40° OPTIC

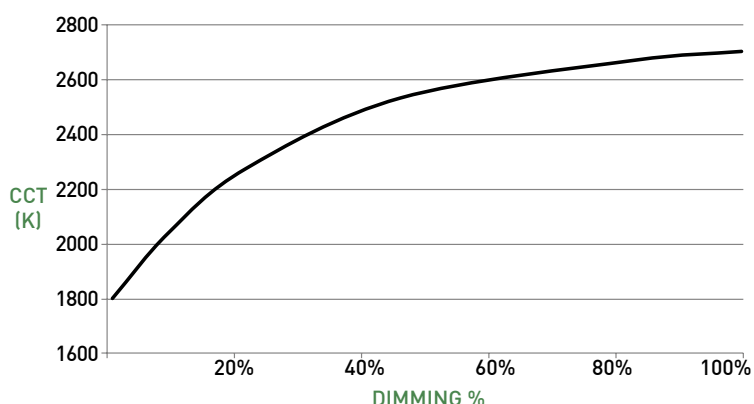
WARM DIM TO MIRROR HALOGEN DIMMING PROFILE

| 90W13A<br>3200K - 1800K | Full on<br>100% | Dimmed<br>to 80% | Dimmed<br>to 70% | Dimmed<br>to 50% | Dimmed<br>to 20% | Dimmed<br>to 10% | Dimmed<br>to 2% |
|-------------------------|-----------------|------------------|------------------|------------------|------------------|------------------|-----------------|
| CCT (K)                 | 3200            | 3150             | 3100             | 3000             | 2700             | 2200             | 1800            |
| Light Output (Lm)       | 915             | 732              | 641              | 457              | 183              | 91               | 18              |
| Power (W)               | 16              | 13               | 11               | 8                | 3                | 1.7              | 0.3             |
| Efficacy (LPW)          | 57              | 57               | 57               | 57               | 57               | 57               | 57              |



WARM DIM TO MIRROR INCANDESCENT DIMMING PROFILE

| 90W11A<br>2700K - 1800K | Full on<br>100% | Dimmed<br>to 80% | Dimmed<br>to 70% | Dimmed<br>to 50% | Dimmed<br>to 20% | Dimmed<br>to 10% | Dimmed<br>to 2% |
|-------------------------|-----------------|------------------|------------------|------------------|------------------|------------------|-----------------|
| CCT (K)                 | 2700            | 2650             | 2620             | 2520             | 2180             | 1950             | 1800            |
| Light Output (Lm)       | 869             | 880              | 770              | 550              | 220              | 110              | 30              |
| Power (W)               | 16              | 13               | 11               | 8                | 3                | 1.7              | 0.3             |
| Efficacy (LPW)          | 54              | 54               | 54               | 54               | 54               | 54               | 54              |



# CYLINDER 1 SUSPENDED MOUNT

## Dropkit STEM ASSEMBLY

## DIMENSIONS / DRAWINGS

**A LUMINAIRE**  
Body with integrated heat sink and LED. Conceals hidden twist-on mounting hardware. Power supply may be integral or remote mount.

**B STANDARD CANOPY**  
Die-cast canopy accommodates flat and slope ceiling conditions. Conceals hidden twist-on mounting hardware. "AD" (42° tilt, 357° rotation) and "9D" (90° tilt, 357° rotation) canopy features 1.50" (38mm) tall canopy. Available with integral or remote driver.

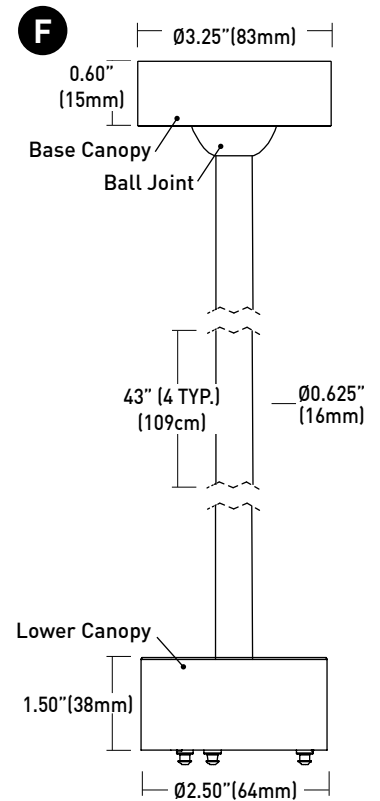
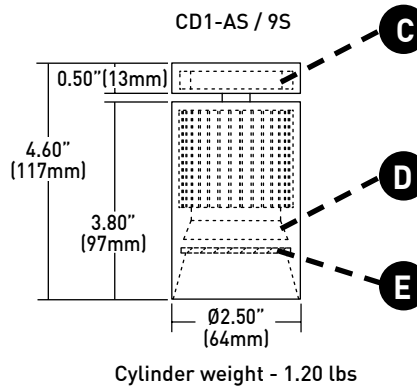
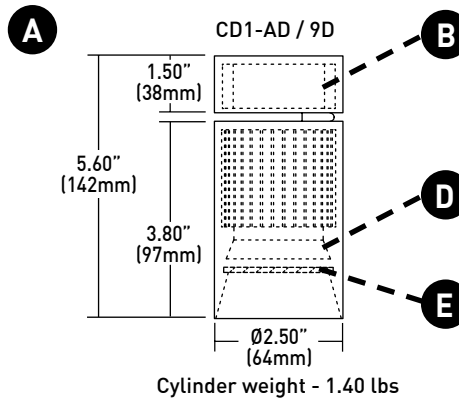
**C SHALLOW CANOPY**  
Die-cast canopy accommodates flat and slope ceiling conditions. Conceals hidden twist-on mounting hardware. "AS" (42° tilt, 357° rotation) and "9S" (90° tilt, 357° rotation) canopy features 0.50" (13mm) tall canopy, reducing overall height. Requires remote power supply.

**D STANDARD OPTICS**  
Proprietary optics available in 10°, 15°, 20°, 40° & 60° beams.

**E EFFECTS DEVICE**  
Threaded removable cowling provides virtually seamless joint with fixture body and accepts 1 lens; soft focus lens standard.

**F Dropkit**

- Field cuttable rigid stem for suspending fixture at desired height. Provides stable base to allow preferred fixture tilt, while maintaining vertical stem position.
- Ball joint allows up to 45° tilt for sloped ceilings and can be locked once stem is positioned vertically.
- Four 43" sections available; 172" maximum standard length.
- Length adjustment occurs in lower canopy.
- Wiring for kit provided by others.

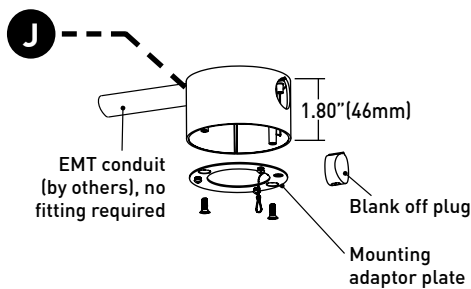
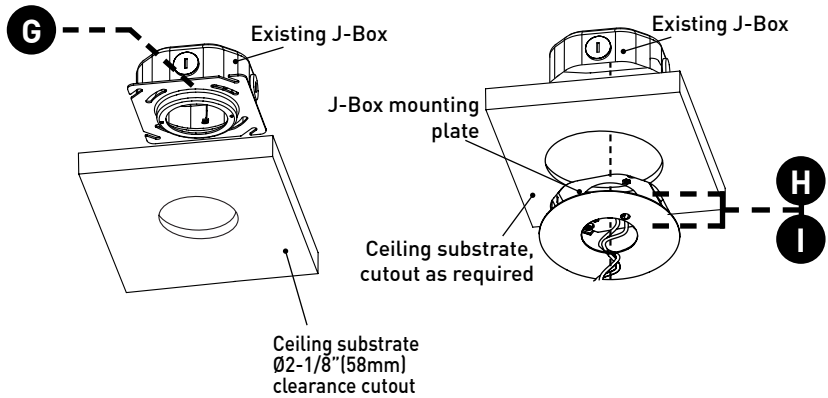


# CYLINDER 1 SUSPENDED MOUNT

## MOUNTING

- G JBMP**  
Mounting plate (concealed) for standard 4" square or 4" 4/0 j-box . To be installed during rough-in prior to substrate. Fixture to mount flush with minimalist transition to ceiling.
- H SMK3**  
Surface mount kit includes mounting plate and 4" concealer plate that installs between fixture and standard 3" 3/0 j-box for existing applications where standard j-box cutout is to be concealed.
- I SMK4**  
Surface mount kit includes mounting plate and 5" concealer plate that installs between fixture and standard 4" 4/0 j-box for existing applications where standard j-box cutout is to be concealed.
- J CMJB**  
Ceiling mount junction box perfectly matches the cylinder profile for a continuous, integrated look where exposed ceiling mount junction box and conduit applications apply. For use with 1/2" and 3/4" EMT conduit only. Features two conduit entrances on either side and one conduit knockout on top of j-box. J-box is IP10 rated; painted finishes only. Blank off plugs included.

## DIMENSIONS / DRAWINGS

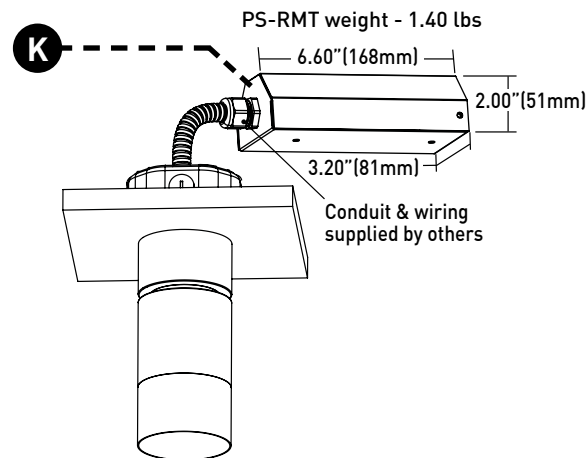


## MOUNTING NOTES

- JBMP and SMK-3/0 & 4/0 not recommended for use with pancake style j-box.

## REMOTE POWER SUPPLY

- K PS-RMT**  
Remote power supply provides additional driver options. Mounting device still required. Consult install guide for maximum allowable secondary run lengths between PS-RMT and fixture.



# CYLINDER 1 SUSPENDED MOUNT

## TECHNICAL

### CONSTRUCTION

**Cylinder:** Die-cast aluminum body; extruded aluminum internal heat-sink; painted finishes are granulated powder coat.

**Dropkit Stem Assembly:** Die-cast aluminum canopies and extruded aluminum stems; painted finishes are granulated powder coat.

**CMJB:** Die-cast aluminum body; painted finishes are granulated powder coat.

**Remote Power Supply:** 22 Gauge galvanized steel.

### STATIC WHITE LED

2-step MacAdam ellipse LED module available in 80+, 90+ and 97+ CRI configurations in color temperatures of 2200K, 2700K, 3000K, 3500K and 4000K. Average rated lamp life of 50,000 hours. LED and driver assemblies are field-replaceable.

### WARM DIM LED

3-step MacAdam ellipse warm dim LED module available in 90+ CRI configuration. 3200K or 2700K at full brightness, warming to 1800K at full dim. Average rated lamp life of 50,000 hours. LED and driver assemblies are field-replaceable.

### POWER SUPPLY PERFORMANCE AND DIMMING INFORMATION

| Power Supply | CA2    | CE2      | TR2    | L23   | LH1   | AN4    | LN2    | EA2    | LA2    | ED1    | LD1    |
|--------------|--------|----------|--------|-------|-------|--------|--------|--------|--------|--------|--------|
| Minimum °C   | -20 °C | -20 °C   | -20 °C | 0 °C  | 0 °C  | -20 °C | -20 °C | -20 °C | -20 °C | -20 °C | -20 °C |
| Maximum °C   | 40 °C  | 40 °C    | 40 °C  | 40 °C | 40 °C | 40 °C  | 40 °C  | 40 °C  | 40 °C  | 40 °C  | 40 °C  |
| Dimming %    | 2.0%   | SEE NOTE | 2.0%   | 1.0%  | 1.0%  | 1.0%   | 1.0%   | 0.1%   | 0.1%   | 0.1%   | 0.1%   |

CE2 Dimming: 80C12A, 90C10A and 97C09A feature 3% dimming. 80C19A, 90C15A and 97C14A feature 2% dimming.

Note: For TR2, L23, LH1, AN4, LN2, EA2 and LA2 drivers consult chart on page 6 to confirm appropriate dimming curve for compatibility with selected control.

### MOUNTING

Dropkit Stem integrates directly with specified mounting component. Provides a minimalist transition from standard 4/0 or 4" square junction boxes and accommodating ceiling thicknesses of 0.44" (12mm) to 0.75" (19mm). Ceiling-mount junction box available for 1/2" (13mm) and 3/4" (19mm) conduit and feature concealed internal clamps for clean fitting-free conduit exit and entry.

### LISTING

cTUVus listed to UL1598 standard for Dry / Damp (IP10) locations. Title 24 JA8-2019 Listed.

### BUY AMERICAN ACT

All CD1 configurations are Buy American Act compliant.

### WARRANTY

Manufacturer's 1-year warranty guarantees product(s) listed to be free from defects in material and workmanship under normal use and service. 5-year warranty on LED and power supply to operate with 70% of the original flux and remain within a range of 3 duv. 10-year Lutron Advantage limited warranty available on Lutron equipped systems. Warranty period begins from the date of shipment by Seller and conditional upon the use of manufacturer-supplied power supply. Consult [website](#) for full warranty terms and conditions.

### CHANGE LOG

- 09/12/2019: ADJUSTABLE FIXTURES NOW OFFERED WITH Dropkit.
- 09/12/2019: NEW CONSOLIDATED SPEC SHEET WITH SINGLE NOMENCLATURE FOR SPECIFICATION.
- 10/21/2019: ADDED QUICK SHIP.
- 05/04/2020: ADDED BAA COMPLIANCE.
- 01/12/2021: ADDED 2200K, 2700K-1800K WARM DIM AND 10 DEGREE OPTIC OFFERINGS.
- 05/04/2021: REMOVED EMB OFFERING.

# CYLINDER 1 SUSPENDED MOUNT

## DIMMING COMPATIBILITY

### PHILIPS DRIVER COMPATIBILITY

| Power supply <b>TR2</b><br>Manufacturer       | Family/Model #        |
|---|-----------------------|
| Lutron Electronics                            | DV-600P               |
| Lutron Electronics                            | DVELV-303P            |
| Lutron Electronics                            | NTELV-600             |
| Lutron Electronics                            | MAELV-600             |
| Lutron Electronics                            | SELV-300P             |
| Lutron Electronics                            | DVLV-600P             |
| Lutron Electronics                            | NFTU-5A               |
| Lutron Electronics                            | CTCL-153P             |
| Lutron Electronics                            | GL-600H               |
| Lutron Electronics                            | S-600P                |
| Lutron Electronics                            | PHPM                  |
| Power supply <b>AN4 / LN2</b><br>Manufacturer | Family/Model #        |
| Lutron Electronics                            | DVTV plus PP-DV       |
| Lutron Electronics                            | DVSCTV plus PP-DV     |
| Lutron Electronics                            | DVSTV                 |
| Lutron Electronics                            | DVSCSTV               |
| Lutron Electronics                            | QSGRJ-XP plus GRX-TVI |
| Lutron Electronics                            | QSGRJ-XE plus GRX-TVI |
| Lutron Electronics                            | QSGR-XE plus GRX-TVI  |
| Lutron Electronics                            | NFTV plus PP-DV       |
| Lutron Electronics                            | NTSTV                 |
| Lutron Electronics                            | RMJ-5T                |
| Lutron Electronics                            | RMJS-8T               |
| Lutron Electronics                            | FCJS-010              |
| Leviton                                       | IllumaTch IP7 series  |
| Philips                                       | Sunrise - SR1200ZTUNV |

### LUTRON DRIVER COMPATIBILITY

| Power supply <b>L23</b><br>Lutron Product Family              | Part No.                         |
|---|----------------------------------|
| Maestro WirelessR 600 W dimmer                                | MRF2-6ND-120-                    |
| Maestro WirelessR 1000 W dimmer                               | MRF2-10ND-120-                   |
| Caséta® Wireless Pro 1000 W dimmer                            | PD-10NXD-                        |
| GRAFIK T™ CL® dimmer  | GT-250M-<br>GTJ-250M-            |
| HomeWorks® QS adaptive dimmer                                 | HQRD-6NA-                        |
| HomeWorks® QS 600 W dimmer                                    | HQRD-6ND-                        |
| HomeWorks® QS 1000 W dimmer                                   | HQRD-10ND-                       |
| RadioRA® 2 adaptive dimmer                                    | RRD-6NA-                         |
| RadioRA® 2 1000 W dimmer                                      | RRD-10ND                         |
| myRoom™ DIN power module                                      | MQSE-4A1-D                       |
| HomeWorks® QS DIN power module                                | LQSE-4A1-D                       |
| HomeWorks® QS wallbox power module                            | HQRJ-WPM-6D-120                  |
| HomeWorks® wallbox power module                               | HWI-WPM-6D-120                   |
| GRAFIK Eye® QS control unit                                   | QSGR-, QSGRJ-                    |
| GRAFIK Eye® 3000 control unit                                 | GRX-3100-<br>GRX-3500-           |
| RPM-4U module (LCP, HomeWorks® QS, GRAFIK Systems™, Quantum®) | HW-RPM-4U-120<br>LP-RPM-4U-120   |
| RPM-4A module (LCP, HomeWorks® QS, GRAFIK Systems™, Quantum®) | HW-RPM-4A-120,<br>LP-RPM-4A-120  |
| GP dimming panels   | Various                          |
| Ariadni CL 250W dimmer  | AYCL-253P-                       |
| Diva CL 250W dimmer   | DVCL-253P-<br>DCSCCL-253P-       |
| Nova T CL 250W dimmer   | NTCL-250-                        |
| Power supply <b>LH1</b><br>Lutron Product Family              | Part No.                         |
| PowPak Dimming Modules  | RMJ-ECO32-DV-B                   |
| PowPak Dimming Modules  | FCJ/FCJS-ECO                     |
| Energi Savr Nodes   | QSN-1ECO-S                       |
| GRAFIK Eye QS control unit                                    | QSN-2ECO-S                       |
| Homeworks QS control unit                                     | QSGRJ- _E (wireless)<br>QSGR- _E |
| Quantum Hub   | QP2-__ 2C                        |
| Quantum Hub   | QP2-__ 4C                        |
| Quantum Hub   | QP2-__ 6C                        |
| Quantum Hub   | QP2-__ 8C                        |
| Homeworks QS power module                                     | LQSE-2ECO-D                      |
| myRoom Plus power module                                      |                                  |

### eldoLED DRIVER COMPATIBILITY

| Power supply <b>EA2 / LA2</b><br>Dimmer / Switch Control<br>Manufacturer | Family/Model #   |
|--|--|
| Busch-Jaeger   | 2112U-101  |
| Jung   | 240-10   |
| Leviton Lighting Controls  | IP710-DLX  |
| Lightolier Controls  | ZP600FAM120  |
| Lutron Electronics   | Nova T® - NTFTV  |
| Lutron Electronics   | Div@® - DVTV   |
| Lutron Electronics   | Nova@® - NFTV  |
| Merten   | 5729   |
| Pass & Seymour   | CD4FB-W  |
| The Watt Stopper   | DCLV1  |
| Sensor Switch  | nI0 EZ   |
| Synergy  | ISD BC   |
| Power supply <b>EA2 / LA2</b><br>Dimmer / Switch Control<br>Manufacturer | Family/Model #   |
| Dimmer / Switch Control<br>Manufacturer                                  | GrafixEye® GRX-TVI w GRX3503<br>Energy Savr Node™ - QSN-4T16-S |
| Lutron Electronics   | TVM2 Module  |
| Crestron®  | GLX-DIMFLV8  |
| Crestron®  | GLXP-DIMFLV8   |
| Crestron®  | GLPAC-DIMFLV4-*  |
| Crestron®  | GLPAC-DIMFLV8-*  |
| Crestron®  | GLPP-DIMFLVEX-PM   |
| Crestron®  | GLPP-1DIMFLV2EX-PM   |
| Crestron®  | GLPP-1DIMFLV3EX-PM   |
| Crestron®  | DIN-A08  |
| Crestron®  | DIN-4DIMFLV4   |
| Crestron®  | CLS-EXP-DIMFLV   |
| Crestron®  | CLCI-1DIMFLV2EX  |
| ABB  | SD/S 2.16.1  |

