

# CYLINDER 2

## SUSPENDED MOUNT

|               |       |
|---------------|-------|
| PROJECT NAME: | TYPE: |
|---------------|-------|



Highlight art, objects, places, spaces, seating areas, and architectural details with a classic profile that offers easy-to-adjust, in-field versatility.

### ORDERING INFORMATION - CYLINDER



Quick Ship Product. All rough in components ship within 10 days up to quantities of 100.



JA8-2019 COMPLIANCE INDICATED BY SHADING

| CYLINDER   | LENGTH  | FIXTURE  | RATING     | CYLINDER FINISH   | BAFFLE FINISH   | LUMEN PACKAGE   | OCT  | OPTIC   | DRIVER   | EFFECTS DEVICE   | MOUNTING   |
|--|---|--|------------|---|---|---|--|---|--|--|--|
|  |   |  | <b>1</b>   |   |   |   |  |   |  |  |  |
| <b>Dropkit STEM ASSEMBLY</b><br><b>CD2 3.13"</b> | <b>043</b> 2" - 43"<br>Mechanical Dropkit Stem  | <b>AD</b> Standard 70°<br><b>9D</b> Max 90° Tilt*<br>*(Increased lead time)          | 1 Dry/Damp | <b>WH</b> White<br><b>BK</b> Black                        | <b>ALL ADJUSTABLE FIXTURES</b><br><b>BK</b> Black         | <b>STATICWHITE</b><br><b>80C12A</b> 80+ CRI, Delivered Lumens - 727<br><b>80C19A</b> 80+ CRI, Delivered Lumens - 1121<br><b>80C25A</b> 80+ CRI, Delivered Lumens - 1488<br><b>90C10A</b> 90+ CRI, Delivered Lumens - 601<br><b>90C15A</b> 90+ CRI, Delivered Lumens - 926<br><b>90C20A</b> 90+ CRI, Delivered Lumens - 1230<br><b>97C09A</b> 97+ CRI, Delivered Lumens - 548<br><b>97C14A</b> 97+ CRI, Delivered Lumens - 845<br><b>97C19A</b> 97+ CRI, Delivered Lumens - 1121 | <b>22</b> 2200K*<br>*(Only available for 90+ CRI)<br><b>27</b> 2700K<br><b>30</b> 3000K<br><b>35</b> 3500K<br><b>40</b> 4000K  | <b>10</b> 10°*<br>*(Only available for 80C12A, 90C10A, and 97C09A. Not available for 2200K) | <b>INTEGRAL</b><br><b>CA2</b> 120-277V<br>0-10V Analog<br><b>CE2</b> 120V Electronic<br>ELV Forward / Reverse Phase  | <b>STANDARD EFFECTS DEVICE</b><br><b>4</b> Soft Focus Lens   | <b>ROUGH-IN</b><br><b>JBMP</b> 4" Sq. or 4/0 Junction Box Mounting Plate   |
|  | <b>086</b> 45" - 86"<br>Mechanical Dropkit Stem   | <b>AS</b> Standard 70° Shallow Canopy*<br>*(Remote driver only; increased lead time) |            | <b>AB</b> Architectural Bronze*<br>*(Increased lead time) |   |   |  |   |  |  |  |
|  | <b>129</b> 88" - 129"<br>Mechanical Dropkit Stem  | <b>9S</b> Max 90° Tilt Shallow Canopy*<br>*(Remote driver only; increased lead time) |            | <b>AG</b> Satin Silver*<br>*(Increased lead time)         | <b>AB</b> Architectural Bronze*<br>*(Increased lead time) |   |  | <b>15</b> 15°   | <b>REMOTE (120-277V)</b><br><b>LH1</b> Lutron, Hi-Lume<br>1% Ecosystem   | <b>2</b> Honeycomb Louver*<br>*(Not available for Warm Dim)  | <b>SMK4</b> 4/0 Surface Mount Kit  |
|  | <b>172</b> 131" - 172"<br>Mechanical Dropkit Stem   | <b>AW</b> Adjustable Wallwash 70°<br><b>FB</b> Fixed Body                            |            | <b>CF</b> Custom Finish*<br>*(Consult Factory)            | <b>AG</b> Satin Silver*<br>*(Increased lead time)         |   |  | <b>20</b> 20°<br><b>30</b> 30°<br><b>40</b> 40°<br><b>60</b> 60°                            | <b>L23</b> Lutron, Hi-Lume<br>1% 2-Wire  | <b>3</b> Clear Glass Lens*<br>*(Not available for Warm Dim)  | <b>CMJB</b> 1/2" and 3/4" Conduit Ceiling Mount Junction Box*<br>*(Not available for MA finish, Quick Ship Product for WH and BK finishes only)                        |
| <b>PENDANT</b><br><b>CP2 3.13"</b>               | <b>XXXB</b> Black Cable<br><b>XXXW</b> White Cable<br>Specify cable length in whole inches (Max 180) ex. specify 006B for a 6 inch black cable*<br>*(Cable is field cuttable) | <b>FB</b> Fixed Body   | 1 Dry/Damp | <b>WH</b> White<br><b>BK</b> Black                        | <b>PENDANT FIXTURE</b><br><b>BK</b> Black                 | <b>WARM DIM</b><br><b>90W11A</b> 90+ CRI, Delivered Lumens - 844<br>Incandescent Profile<br><b>90W13A</b> 90+ CRI, Delivered Lumens - 889<br>Halogen Profile<br>*SEE PAGE 3 FOR DETAILED WARM DIM PROFILE COMPARISON.   | <b>WL</b> 2700K - 1800K<br><b>WD</b> 3200K - 1800K   | <b>25</b> 25°<br><b>40</b> 40°<br><b>60</b> 60°   | <b>LH1</b> Lutron, Hi-Lume<br>1% Ecosystem<br><b>AN4</b> Philips Xitanium<br>1% 0-10V, LOG<br><b>LN2</b> Philips Xitanium<br>1% 0-10V, LIN<br><b>EA2</b> eldoLED, SOLOdrive<br>0.1% 0-10V, LOG<br><b>LA2</b> eldoLED, SOLOdrive<br>0.1% 0-10V, LIN<br><b>ED1</b> eldoLED, SOLOdrive<br>0.1% DALI, LOG<br><b>LD1</b> eldoLED, SOLOdrive<br>0.1% DALI, LIN | <b>5</b> Frosted Glass Lens<br><b>6</b> Frosted Soft Focus Lens<br><b>7</b> Frosted Linear Spread Lens<br><b>W</b> Wallwash Lens*<br>*(Required and only available for AW fixture) | *ALL DELIVERED LUMEN OUTPUTS AND T24 COMPLIANCE REFLECT 3000K PAIRED WITH 40° OPTIC AND SOFT FOCUS LENS. REFERENCE PAGE 3 FOR ADDITIONAL T24 COMPLIANT CONFIGURATIONS. |
|  |   |  |            |   |   | <b>AB</b> Architectural Bronze*<br>*(Increased lead time)   | <b>90W11A</b> 90+ CRI, Delivered Lumens - 844<br>Incandescent Profile<br><b>90W13A</b> 90+ CRI, Delivered Lumens - 889<br>Halogen Profile<br>*SEE PAGE 3 FOR DETAILED WARM DIM PROFILE COMPARISON. | <b>25</b> 25°<br><b>40</b> 40°<br><b>60</b> 60°   | <b>WW</b> Wall-wash*<br>*(Required and only available for AW fixture)  | <b>1</b> No Lens*<br>*(Standard for 10" optic. Not available for Warm Dim)   | *(Not available for MA finish, Quick Ship Product for WH and BK finishes only)   |



### PENDANT NOTES

- CP2 ships as e.g., CP2-1-180-WH-90C20A2-3-RMT-4-W
- Remote driver ships as e.g., PS-RMT-90C20A-1L23
- JBMP ships as CY2/3-JBMP
- CP2 SMK3 ships as CY2/3-SMK-3/0-(finish)
- CP2 SMK4 ships as CY2/3-SMK-4/0-(finish)
- CP2 CMJB ships as CY2-CMJB-(finish)

### Dropkit STEM NOTES

- CD2 Adjustable ships as e.g., CY2-AD-1-WH-90C20A2-3-RMT-4
- CD2 Fixed Body ships as e.g., CY2-FB1-WHBK-90C15A2-30CA240
- Remote driver ships as e.g., PS-RMT-90C20A-1L23
- JBMP ships as CD-JBMP
- SMK3 ships as CD-SMK-3/0-(finish)
- SMK4 ships as CD-SMK-4/0-(finish)
- CMJB ships as CD-CMJB-(finish)
- Stem Assembly ships as CY2-DK-(length)-(finish)

# CYLINDER 2 SUSPENDED MOUNT

## ACCESSORIES

### ADJUSTABLE & PENDANT ALTERNATE EFFECTS DEVICES

**HCL-CY2-03** Honeycomb Louver \*

\*(Not available for Warm Dim)

**CGL-CY2-03** Clear Glass Lens \*

\*(Not available for Warm Dim)

**SFL-CY2-03** Soft Focus Lens

**FGL-CY2-03** Frosted Glass Lens

**FSFL-CY2-03** Frosted Soft Focus Lens

**FLSL-CY2-03** Frosted Linear Spread Lens

### CD2-FB ALTERNATE BAFFLE AND EFFECTS DEVICE

Includes baffle with sealed lens. Must specify baffle finish.

**RBA-CY2-\*\*-HCL** Honeycomb Louver \*

\*(Not available for Warm Dim)

**RBA-CY2-\*\*-CGL** Clear Glass Lens \*

\*(Not available for Warm Dim)

**RBA-CY2-\*\*-SFL** Soft Focus Lens

**RBA-CY2-\*\*-FGL** Frosted Glass Lens

**RBA-CY2-\*\*-FSFL** Frosted Soft Focus Lens

**RBA-CY2-\*\*-FLSL** Frosted Linear Spread Lens

\*\* Baffle finish: Specify **WH** for white, **BK** for black, **AG** for satin silver or **AB** for architectural bronze.

### CD2-FB REPLACEMENT SUCTION TOOL

Included with each CD2-FB order (1 per 10 fixtures).

**CY-SQ-TOOL-SUCTION** Baffle assembly removal tool

### REPLACEMENT OPTICS

Interchangeable optics accessible by removing snoot or baffle.

**RO-70-15-1** 15° optic \*

\*(Not available for Warm Dim)

**RO-70-25-1** 25° optic

**RO-70-40-1** 40° optic

**RO-70-60-1** 60° optic

### Dropkit STEM EXTENSION

**RPS-DK-EXT-\*\*-** 2" - 43" Stem Extension

\*\* Stem finish: Specify **WH** for white, **BK** for black, **AG** for satin silver or **AB** for architectural bronze.

# CYLINDER 2 SUSPENDED MOUNT

## STATIC WHITE PERFORMANCE - 3000K

| LUMEN PACKAGE | WATTAGE | 10° OPTIC<br>NO SOFT FOCUS LENS |          | 15° OPTIC<br>SOFT FOCUS LENS |     | 20° OPTIC<br>SOFT FOCUS LENS |     | 40° OPTIC<br>SOFT FOCUS LENS |     | 60° OPTIC<br>SOFT FOCUS LENS |     | WW OPTIC<br>WALLWASH LENS |     |
|---------------|---------|---------------------------------|----------|------------------------------|-----|------------------------------|-----|------------------------------|-----|------------------------------|-----|---------------------------|-----|
|               |         | DELIVERED                       | LPW      | DELIVERED                    | LPW | DELIVERED                    | LPW | DELIVERED                    | LPW | DELIVERED                    | LPW | DELIVERED                 | LPW |
| 80C12A        | 10      | 1000                            | 58 (17W) | 872                          | 87  | 848                          | 85  | 727                          | 73  | 775                          | 78  | 557                       | 56  |
| 80C19A        | 17      | -                               | -        | 1345                         | 80  | 1308                         | 78  | 1121                         | 67  | 1196                         | 71  | 859                       | 51  |
| 80C25A        | 24      | -                               | -        | 1786                         | 75  | 1736                         | 73  | 1488                         | 62  | 1587                         | 67  | 1141                      | 48  |
| 90C10A        | 10      | 848                             | 49 (17W) | 721                          | 72  | 701                          | 70  | 601                          | 60  | 641                          | 64  | 460                       | 46  |
| 90C15A        | 17      | -                               | -        | 1112                         | 66  | 1081                         | 65  | 926                          | 55  | 988                          | 59  | 710                       | 42  |
| 90C20A        | 24      | -                               | -        | 1476                         | 62  | 1435                         | 60  | 1230                         | 52  | 1312                         | 55  | 943                       | 40  |
| 97C09A        | 10      | 703                             | 41 (17W) | 657                          | 66  | 639                          | 64  | 548                          | 55  | 584                          | 58  | 420                       | 42  |
| 97C14A        | 17      | -                               | -        | 1014                         | 61  | 986                          | 59  | 845                          | 50  | 901                          | 54  | 648                       | 39  |
| 97C19A        | 24      | -                               | -        | 1346                         | 56  | 1308                         | 55  | 1121                         | 47  | 1196                         | 50  | 860                       | 36  |
| 90W11A        | 16      | -                               | -        | -                            | -   | 913                          | 57  | 844                          | 52  | 876                          | 55  | 651                       | 41  |
| 90W13A        | 16      | -                               | -        | -                            | -   | 961                          | 60  | 889                          | 56  | 922                          | 58  | 685                       | 42  |



## JA8-2019 INDICATED BY SHADING

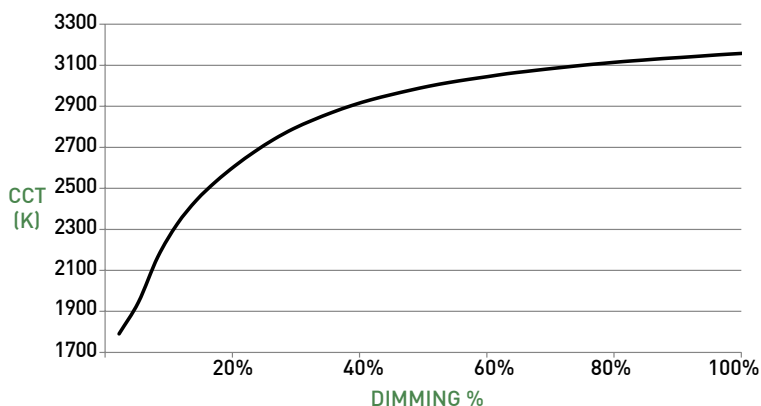
| OUTPUT MULTIPLIER                          |           |
|--|-----------|
| CCT  | CCT SCALE |
| 2200K<br>(Consult factory for JA8 details) | 0.800     |
| 2700K                                      | 0.957     |
| 3000K                                      | 1.000     |
| 3500K                                      | 1.019     |
| 4000K                                      | 1.030     |

| LIGHT LOSS FACTOR MULTIPLIER |      |
|------------------------------|------|
| No Lens                      |      |
| CGL                          | 1.05 |
| SFL                          | 1.00 |
| FGL                          | 0.90 |
| FSFL                         | 0.87 |
| FLSL                         | 0.83 |
| HCL                          | 0.65 |

## WARM DIM PERFORMANCE - SOFT FOCUS LENS - 40° OPTIC

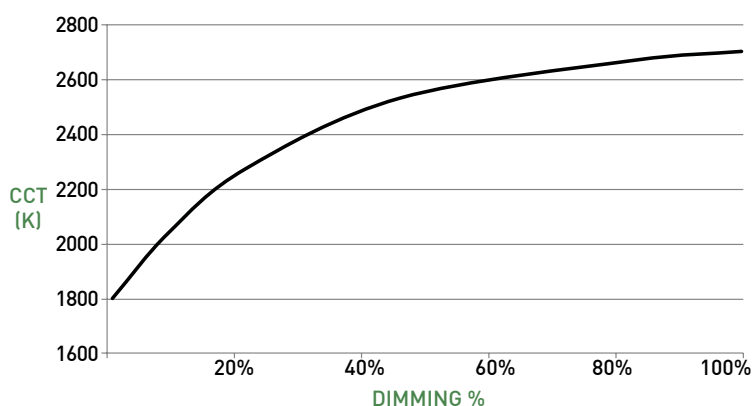
WARM DIM TO MIRROR HALOGEN DIMMING PROFILE

| 90W13A<br>3200K - 1800K | Full on<br>100% | Dimmed<br>to 80% | Dimmed<br>to 70% | Dimmed<br>to 50% | Dimmed<br>to 20% | Dimmed<br>to 10% | Dimmed<br>to 2% |
|-------------------------|-----------------|------------------|------------------|------------------|------------------|------------------|-----------------|
| CCT (K)                 | 3200            | 3150             | 3100             | 3000             | 2700             | 2200             | 1800            |
| Light Output (Lm)       | 889             | 711              | 622              | 444              | 178              | 89               | 18              |
| Power (W)               | 16              | 13               | 11               | 8                | 3                | 1.7              | 0.3             |
| Efficacy (LPW)          | 56              | 56               | 56               | 56               | 56               | 56               | 56              |



WARM DIM TO MIRROR INCANDESCENT DIMMING PROFILE

| 90W11A<br>2700K - 1800K | Full on<br>100% | Dimmed<br>to 80% | Dimmed<br>to 70% | Dimmed<br>to 50% | Dimmed<br>to 20% | Dimmed<br>to 10% | Dimmed<br>to 2% |
|-------------------------|-----------------|------------------|------------------|------------------|------------------|------------------|-----------------|
| CCT (K)                 | 2700            | 2650             | 2620             | 2520             | 2180             | 1950             | 1800            |
| Light Output (Lm)       | 844             | 675              | 591              | 422              | 169              | 84               | 17              |
| Power (W)               | 16              | 13               | 11               | 8                | 3                | 1.7              | 0.3             |
| Efficacy (LPW)          | 52              | 52               | 52               | 52               | 52               | 52               | 52              |



# CYLINDER 2 SUSPENDED MOUNT

## Dropkit STEM ASSEMBLY

## DIMENSIONS / DRAWINGS

**A LUMINAIRE**  
Body with integrated heat sink and LED. Conceals hidden twist-on mounting hardware. Power supply may be integral or remote mount.

**B STANDARD CANOPY**  
Die-cast canopy accommodates flat and slope ceiling conditions. Conceals hidden twist-on mounting hardware. "AD" (70° tilt, 357° rotation) and "9D" (90° tilt, 357° rotation) canopy features 1.60" (41mm) tall canopy. Available with integral or remote driver.

**C SHALLOW CANOPY**  
Die-cast canopy accommodates flat and slope ceiling conditions. Conceals hidden twist-on mounting hardware. "AS" (70° tilt, 357° rotation) and "9S" (90° tilt, 357° rotation) canopy features 0.50" (13mm) tall canopy, reducing overall height. Requires remote power supply.

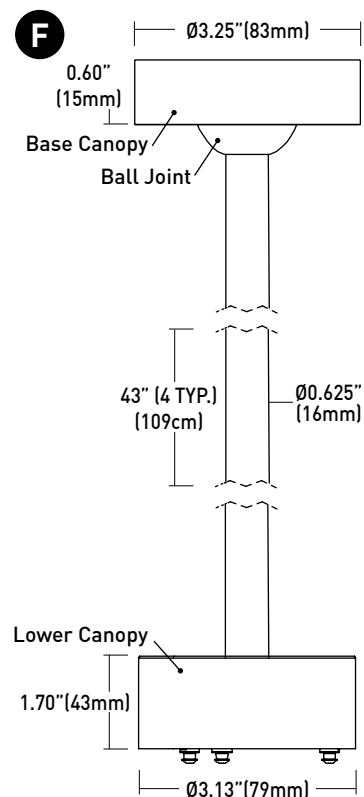
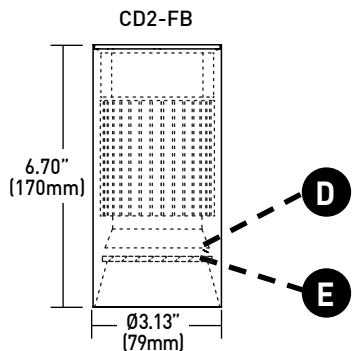
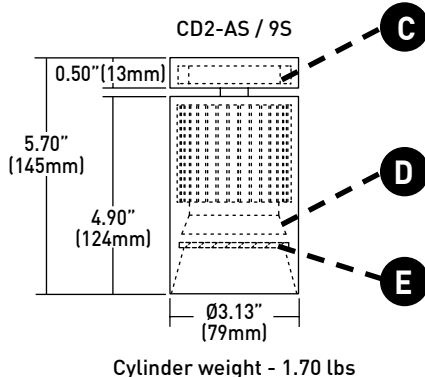
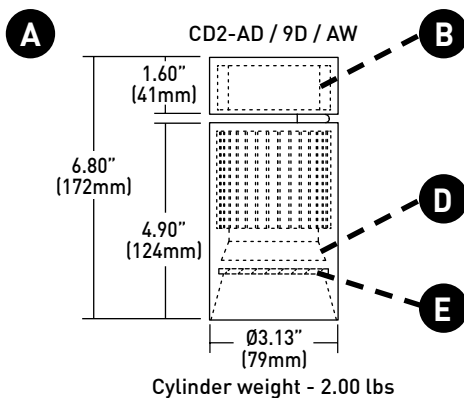
**D STANDARD OPTICS**  
Proprietary optics available in 10°, 15°, 25°, 40° & 60° beams.

**WALLWASH OPTIC**  
Precision tuned kick reflector and optic provides uniform wallwashing effect.

**E ADJUSTABLE EFFECTS DEVICE**  
Threaded removable cowling provides virtually seamless joint with fixture body and accepts 1 lens; soft focus lens standard. Wallwash fixture is fitted with a wallwash lens.

**FIXED BODY EFFECTS DEVICE**  
Cylinder baffle assembly can accept 1 lens; soft focus lens standard and sealed in place. Suction tool provided for removal of baffle lens assembly.

- F Dropkit**
- Field cuttable rigid stem for suspending fixture at desired height. Provides stable base to allow preferred fixture tilt, while maintaining vertical stem position.
  - Ball joint allows up to 45° tilt for sloped ceilings and can be locked once stem is positioned vertically.
  - Four 43" sections available; 172" maximum standard length.
  - Length adjustment occurs in lower canopy.
  - Wiring for kit provided by others.

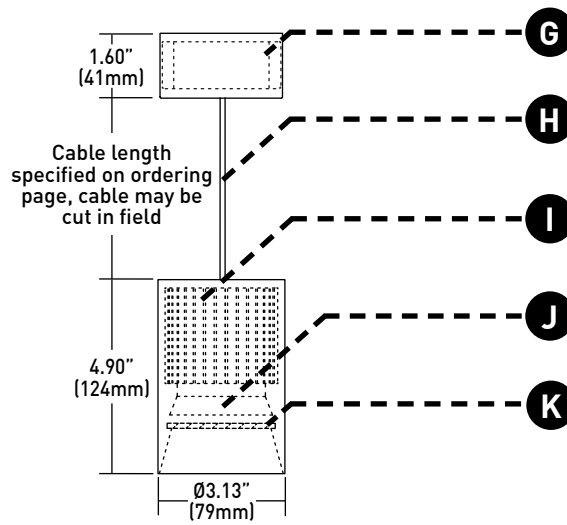


# CYLINDER 2 SUSPENDED MOUNT

## PENDANT

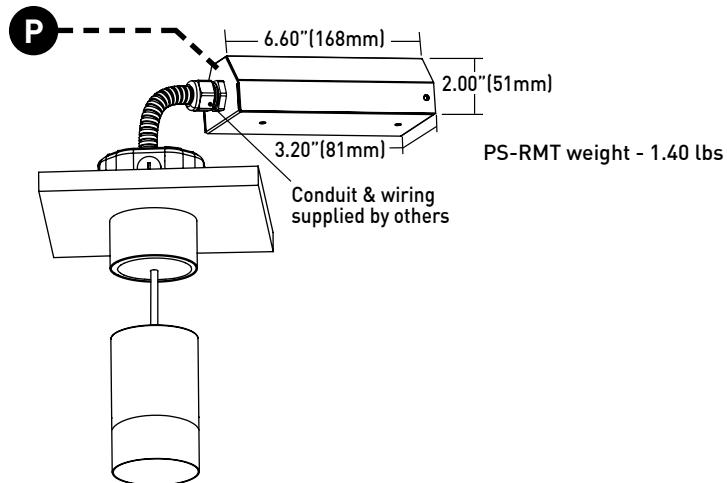
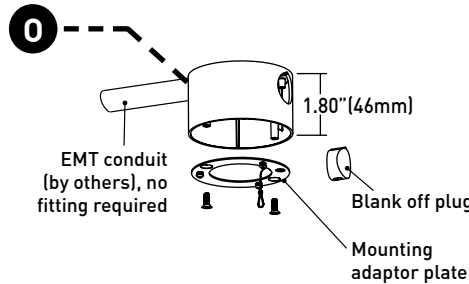
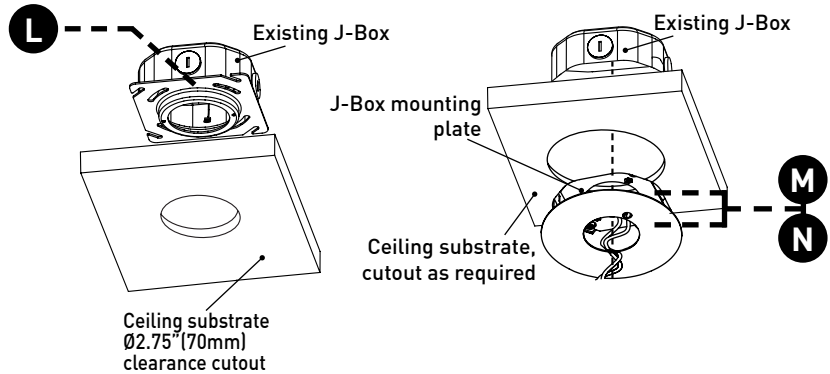
- G CANOPY**  
Die-cast 1.60" (41mm) canopy accommodates flat and slope ceiling conditions. Conceals hidden twist-on mounting hardware. Available with integral or remote driver.
- H CABLE**  
Black and white wiring harness available; up to 180.0" length; cable may be cut in field.
- I LUMINAIRE**  
Die-cast body with integral heat sink and LED.
- J OPTICS**  
Proprietary optics available in 10°, 15°, 25°, 40° & 60° beams.
- K EFFECTS DEVICE**  
Threaded removable cowling provides virtually seamless joint with fixture body and accepts 1 lens; no lens standard.

## DIMENSIONS / DRAWINGS



## Dropkit AND PENDANT MOUNTING

- L JBMP**  
Mounting plate (concealed) for standard 4" square or 4" 4/0 j-box. To be installed during rough-in prior to substrate. Fixture to mount flush with minimalist transition to ceiling.
- M SMK3**  
Surface mount kit includes mounting plate and 4" concealer plate that installs between fixture and standard 3" 3/0 j-box for existing applications where standard j-box cutout is to be concealed.
- N SMK4**  
Surface mount kit includes mounting plate and 5" concealer plate that installs between fixture and standard 4" 4/0 j-box for existing applications where standard j-box cutout is to be concealed.
- O CMJB**  
Ceiling mount junction box perfectly matches the cylinder profile for a continuous, integrated look where exposed ceiling mount junction box and conduit applications apply. For use with 1/2" and 3/4" EMT conduit only. Features two conduit entrances on either side and one conduit knockout on top of j-box. J-box is IP10 rated; painted finishes only. Blank off plugs included.



## MOUNTING NOTES

- JBMP and SMK-3/0 & 4/0 not recommended for use with pancake style j-box.

## REMOTE POWER SUPPLY

- P PS-RMT**  
Remote power supply provides additional driver options. Mounting device still required. Consult install guide for maximum allowable secondary run lengths between PS-RMT and fixture.

# CYLINDER 2 SUSPENDED MOUNT

## TECHNICAL

### CONSTRUCTION

**Cylinder:** Die-cast or Machined aluminum body; extruded aluminum internal heat-sink; painted finishes are granulated powder coat.

**Dropkit Stem Assembly:** Die-cast aluminum canopies and extruded aluminum stems; painted finishes are granulated powder coat.

**CMJB:** Die-cast aluminum body; painted finishes are granulated powder coat.

**Remote Power Supply:** 22 Gauge galvanized steel.

### STATIC WHITE LED

2-step MacAdam ellipse LED module available in 80+, 90+ and 97+ CRI configurations in color temperatures of 2200K, 2700K, 3000K, 3500K and 4000K. Average rated lamp life of 50,000 hours. LED and driver assemblies are field-replaceable.

### WARM DIM LED

3-step MacAdam ellipse warm dim LED module available in 90+ CRI configuration. 3200K or 2700K at full brightness, warming to 1800K at full dim. Average rated lamp life of 50,000 hours. LED and driver assemblies are field-replaceable.

### POWER SUPPLY PERFORMANCE AND DIMMING INFORMATION

| Power Supply | CA2    | CE2    | TR2    | L23   | LH1   | AN4    | LN2    | EA2    | LA2    | ED1    | LD1    |
|--------------|--------|--------|--------|-------|-------|--------|--------|--------|--------|--------|--------|
| Minimum °C   | -20 °C | -20 °C | -20 °C | 0 °C  | 0 °C  | -20 °C | -20 °C | -20 °C | -20 °C | -20 °C | -20 °C |
| Maximum °C   | 40 °C  | 40 °C  | 40 °C  | 40 °C | 40 °C | 40 °C  | 40 °C  | 40 °C  | 40 °C  | 40 °C  | 40 °C  |
| Dimming %    | 2.0%   | 2.0%   | 2.0%   | 1.0%  | 1.0%  | 1.0%   | 1.0%   | 0.1%   | 0.1%   | 0.1%   | 0.1%   |

Note: For TR2, L23, LH1, AN4, LN2, EA2 and LA2 drivers consult chart on page 6 to confirm appropriate dimming curve for compatibility with selected control.

### WALLWASH SPACING AND TILT

Cylinder must be tilted to achieve wallwashing effect. Recommended fixture spacing is 36" (914mm) on center with 36" (914mm) setback from wall plane with 30° tilt.

### MOUNTING

Pendant is supplied with a mounting adaptor plate, which integrates with specified mounting component. Dropkit Stem integrates directly with specified mounting component. Both applications provide a minimalist transition from standard 4/0 or 4" square junction boxes and accommodating ceiling thicknesses of 0.44" (12mm) to 0.75" (19mm). Ceiling-mount junction box available for 1/2" (13mm) and 3/4" (19mm) conduit and feature concealed internal clamps for clean fitting-free conduit exit and entry.

### LISTING

cTUVus listed to UL1598 standard for Dry / Damp (IP10) locations. Title 24 JA8-2019 Listed.

### WARRANTY

Manufacturer's 1-year warranty guarantees product(s) listed to be free from defects in material and workmanship under normal use and service. 5-year warranty on LED and power supply to operate with 70% of the original flux and remain within a range of 3 duv. 10-year Lutron Advantage limited warranty available on Lutron equipped systems. Warranty period begins from the date of shipment by Seller and conditional upon the use of manufacturer-supplied power supply. Consult [website](#) for full warranty terms and conditions.

### CHANGE LOG

- 09/12/2019: FIXED BODY AND ADJUSTABLE FIXTURES NOW OFFERED WITH Dropkit.
- 09/12/2019: NEW CONSOLIDATED SPEC SHEET WITH SINGLE NOMENCLATURE FOR SPECIFICATION.
- 10/21/2019: ADDED QUICK SHIP.
- 01/12/2021: ADDED 2200K, 2700K-1800K WARM DIM AND 10 DEGREE OPTIC OFFERINGS.
- 05/04/2021: REMOVED EMB OFFERING.

# CYLINDER 2 SUSPENDED MOUNT

## DIMMING COMPATIBILITY

### PHILIPS DRIVER COMPATIBILITY

| Power supply <b>TR2</b><br>Manufacturer       | Family/Model #        |
|---|-----------------------|
| Lutron Electronics                            | DV-600P               |
| Lutron Electronics                            | DVELV-303P            |
| Lutron Electronics                            | NTELV-600             |
| Lutron Electronics                            | MAELV-600             |
| Lutron Electronics                            | SELV-300P             |
| Lutron Electronics                            | DVLV-600P             |
| Lutron Electronics                            | NFTU-5A               |
| Lutron Electronics                            | CTCL-153P             |
| Lutron Electronics                            | GL-600H               |
| Lutron Electronics                            | S-600P                |
| Lutron Electronics                            | PHPM                  |
| Power supply <b>AN4 / LN2</b><br>Manufacturer | Family/Model #        |
| Lutron Electronics                            | DVTV plus PP-DV       |
| Lutron Electronics                            | DVSCTV plus PP-DV     |
| Lutron Electronics                            | DVSTV                 |
| Lutron Electronics                            | DVSCSTV               |
| Lutron Electronics                            | QSGRJ-XP plus GRX-TVI |
| Lutron Electronics                            | QSGRJ-XE plus GRX-TVI |
| Lutron Electronics                            | QSGR-XE plus GRX-TVI  |
| Lutron Electronics                            | NFTV plus PP-DV       |
| Lutron Electronics                            | NTSTV                 |
| Lutron Electronics                            | RMJ-5T                |
| Lutron Electronics                            | RMJS-8T               |
| Lutron Electronics                            | FCJS-010              |
| Leviton                                       | IllumaTch IP7 series  |
| Philips                                       | Sunrise - SR1200ZTUNV |

### LUTRON DRIVER COMPATIBILITY

| Power supply <b>L23</b><br>Lutron Product Family              | Part No.                     |
|---|------------------------------|
| Maestro WirelessR 600 W dimmer                                | MRF2-6ND-120-                |
| Maestro WirelessR 1000 W dimmer                               | MRF2-10ND-120-               |
| Caséta® Wireless Pro 1000 W dimmer                            | PD-10NXD-                    |
| GRAFIK T™ CL® dimmer  | GT-250M-GTJ-250M-            |
| HomeWorks® QS adaptive dimmer                                 | HQRD-6NA-                    |
| HomeWorks® QS 600 W dimmer                                    | HQRD-6ND-                    |
| HomeWorks® QS 1000 W dimmer                                   | HQRD-10ND-                   |
| RadioRA® 2 adaptive dimmer                                    | RRD-6NA-                     |
| RadioRA® 2 1000 W dimmer                                      | RRD-10ND                     |
| myRoom™ DIN power module                                      | MQSE-4A1-D                   |
| HomeWorks® QS DIN power module                                | LQSE-4A1-D                   |
| HomeWorks® QS wallbox power module                            | HQRJ-WPM-6D-120              |
| HomeWorks® wallbox power module                               | HWI-WPM-6D-120               |
| GRAFIK Eye® QS control unit                                   | QSGR-, QSGRJ-                |
| GRAFIK Eye® 3000 control unit                                 | GRX-3100-GRX-3500-           |
| RPM-4U module (LCP, HomeWorks® QS, GRAFIK Systems™, Quantum®) | HW-RPM-4U-120 LP-RPM-4U-120  |
| RPM-4A module (LCP, HomeWorks® QS, GRAFIK Systems™, Quantum®) | HW-RPM-4A-120, LP-RPM-4A-120 |
| GP dimming panels   | Various                      |
| Ariadni CL 250W dimmer  | AYCL-253P-                   |
| Diva CL 250W dimmer   | DVCL-253P-DCSCCL-253P-       |
| Nova T CL 250W dimmer   | NTCL-250-                    |
| Power supply <b>LH1</b><br>Lutron Product Family              | Part No.                     |
| PowPak Dimming Modules  | RMJ-ECO32-DV-B               |
| PowPak Dimming Modules  | FCJ/FCJS-ECO                 |
| Energi Savr Nodes   | QSN-1ECO-S                   |
| GRAFIK Eye QS control unit                                    | QSN-2ECO-S                   |
| Homeworks QS control unit                                     | QSGRJ- E (wireless) QSGR- E  |
| Quantum Hub   | QP2-__ 2C                    |
| Quantum Hub   | QP2-__ 4C                    |
| Quantum Hub   | QP2-__ 6C                    |
| Quantum Hub   | QP2-__ 8C                    |
| Homeworks QS power module                                     | LQSE-2ECO-D                  |
| myRoom Plus power module                                      |                              |

### eldoLED DRIVER COMPATIBILITY

| Power supply <b>EA2 / LA2</b><br>Dimmer / Switch Control<br>Manufacturer | Family/Model #  |
|--|---|
| Busch-Jaeger   | 2112U-101   |
| Jung   | 240-10  |
| Leviton Lighting Controls  | IP710-DLX   |
| Lightolier Controls  | ZP600FAM120   |
| Lutron Electronics   | Nova T® - NTFTV   |
| Lutron Electronics   | Div@® - DVTV  |
| Lutron Electronics   | Nova@® - NFTV   |
| Merten   | 5729  |
| Pass & Seymour   | CD4FB-W   |
| The Watt Stopper   | DCLV1   |
| Sensor Switch  | nI0 EZ  |
| Synergy  | ISD BC  |
| Power supply <b>EA2 / LA2</b><br>Dimmer / Switch Control<br>Manufacturer | Family/Model #  |
| Dimmer / Switch Control Manufacturer                                     | GrafixEye® GRX-TVI w GRX3503 Energy Savr Node™ - QSN-4T16-S |
| Lutron Electronics   | TVM2 Module   |
| Crestron®  | GLX-DIMFLV8   |
| Crestron®  | GLXP-DIMFLV8  |
| Crestron®  | GLPAC-DIMFLV4-*   |
| Crestron®  | GLPAC-DIMFLV8-*   |
| Crestron®  | GLPP-DIMFLVEX-PM  |
| Crestron®  | GLPP-1DIMFLV2EX-PM  |
| Crestron®  | GLPP-1DIMFLV3EX-PM  |
| Crestron®  | DIN-A08   |
| Crestron®  | DIN-4DIMFLV4  |
| Crestron®  | CLS-EXP-DIMFLV  |
| Crestron®  | CLCI-1DIMFLV2EX   |
| ABB  | SD/S 2.16.1   |

