

CYLINDER 3

SUSPENDED MOUNT

PROJECT NAME:	TYPE:
---------------	-------



Highlight art, objects, places, spaces, seating areas, and architectural details with a classic profile that offers easy-to-adjust, in-field versatility.

ORDERING INFORMATION - CYLINDER



Quick Ship Product. All rough in components ship within 10 days up to quantities of 100.



JA8-2019 COMPLIANCE INDICATED BY SHADING

CYLINDER	LENGTH	FIXTURE	RATING	CYLINDER FINISH	BAFFLE FINISH	LUMEN PACKAGE	CCT	OPTIC	DRIVER	EFFECTS DEVICE	MOUNTING			
			1											
Dropkit STEM ASSEMBLY CD3 3.25"	043 2" - 43"	AD Standard 60° Mechanical Dropkit Stem 9D Max 90° Tilt* *(Increased lead time)	1 Dry/Damp	WH White BK Black	ALL ADJUSTABLE FIXTURES BK Black CD3-FB ONLY WH White BK Black AB Architectural Bronze* *(Increased lead time) AG Satin Silver* *(Increased lead time) CF Custom Finish* *(Consult Factory)	STATIC WHITE 80C19A 80+ CRI, Delivered Lumens - 1127 80C25A 80+ CRI, Delivered Lumens - 1502 80C32A 80+ CRI, Delivered Lumens - 1961 90C15A 90+ CRI, Delivered Lumens - 905 90C20A 90+ CRI, Delivered Lumens - 1287 90C27A 90+ CRI, Delivered Lumens - 1680 97C14A 97+ CRI, Delivered Lumens - 863 97C19A 97+ CRI, Delivered Lumens - 1151 97C24A 97+ CRI, Delivered Lumens - 1503	22 2200K* *(Only available for 90+ CRI) 27 2700K 30 3000K 35 3500K 40 4000K	10 10°* *(Only available for 80C19A, 90C15A, and 97C14A. Not available for 2200K)	INTEGRAL CA2 120-277V 0-10V Analog	STANDARD EFFECTS DEVICE 4 Soft Focus Lens ALTERNATE EFFECTS DEVICE 0 No Lens* *(Standard for 10" optic. Not available for Warm Dim) 2 Honeycomb Louver* *(Not available for Warm Dim) 3 Clear Glass Lens* *(Not available for Warm Dim) 5 Frosted Glass Lens 6 Frosted Soft Focus Lens 7 Frosted Linear Spread Lens W Wallwash Lens* *(Required and only available for AW fixture)	ROUGH-IN JBMP 4" Sq. or 4/0 Junction Box Mounting Plate FINISH OUT SMK3 3/0 Surface Mount Kit SMK4 4/0 Surface Mount Kit CMJB 1/2" and 3/4" Conduit Ceiling Mount Junction Box* *(Not available for MA finish, Quick Ship Product for WH and BK finishes only)			
	086 45" - 86"	AS Standard 60° Shallow Canopy* *(Remote driver only; increased lead time)		AB Architectural Bronze* *(Increased lead time)					27 2700K			15 15°	CE2 120V Electronic ELV Forward / Reverse Phase	REMOTE (120V) L23 Lutron, Hi-Lume 1% 2-Wire REMOTE (120-277V) LH1 Lutron, Hi-Lume 1% Ecosystem AN4 Philips Xitanium 1% 0-10V, LOG LN2 Philips Xitanium 1% 0-10V, LIN EA2 eldoLED, SOL0drive 0.1% 0-10V, LOG LA2 eldoLED, SOL0drive 0.1% 0-10V, LIN ED1 eldoLED, SOL0drive 0.1% DALI, LOG LD1 eldoLED, SOL0drive 0.1% DALI, LIN
	129 88" - 129"	9S Max 90° Tilt Shallow Canopy* *(Remote driver only; increased lead time)		BK Black AB Architectural Bronze* *(Increased lead time)					30 3000K			25 25°	REMOTE (120V) L23 Lutron, Hi-Lume 1% 2-Wire	
	172 131" - 172"	AW Adjustable Wallwash 60° FB Fixed Body		AG Satin Silver* *(Increased lead time) CF Custom Finish* *(Consult Factory)					35 3500K			40 40°		
									40 4000K			60 60°		
PENDANT CP3 3.25"	XXXB Black Cable XXXW White Cable	FB Fixed Body	1 Dry/Damp	WH White BK Black	PENDANT FIXTURE BK Black	WARM DIM 90W11A 90+ CRI, Delivered Lumens - 941 Incandescent Profile 90W13A 90+ CRI, Delivered Lumens - 991 Halogen Profile *SEE PAGE 3 FOR DETAILED WARM DIM PROFILE COMPARISON. *ALL DELIVERED LUMEN OUTPUTS AND T24 COMPLIANCE REFLECT 3000K PAIRED WITH 40° OPTIC AND SOFT FOCUS LENS. REFERENCE PAGE 3 FOR ADDITIONAL T24 COMPLIANT CONFIGURATIONS.	WL 2700K-1800K WD 3200K-1800K	25 25° 40 40° 60 60° WW Wall-wash* *(Required and only available for AW fixture)	REMOTE (120V) L23 Lutron, Hi-Lume 1% 2-Wire	STANDARD EFFECTS DEVICE 4 Soft Focus Lens ALTERNATE EFFECTS DEVICE 0 No Lens* *(Standard for 10" optic. Not available for Warm Dim) 2 Honeycomb Louver* *(Not available for Warm Dim) 3 Clear Glass Lens* *(Not available for Warm Dim) 5 Frosted Glass Lens 6 Frosted Soft Focus Lens 7 Frosted Linear Spread Lens W Wallwash Lens* *(Required and only available for AW fixture)	ROUGH-IN JBMP 4" Sq. or 4/0 Junction Box Mounting Plate FINISH OUT SMK3 3/0 Surface Mount Kit SMK4 4/0 Surface Mount Kit CMJB 1/2" and 3/4" Conduit Ceiling Mount Junction Box* *(Not available for MA finish, Quick Ship Product for WH and BK finishes only)			
	Specify cable length in whole inches (Max 180) ex. specify 006B for a 6 inch black cable* *(Cable is field cuttable)			AB Architectural Bronze* *(Increased lead time) MA Machined Aluminum CF Custom Finish* *(Consult Factory)										



PENDANT NOTES

- CP3 ships as e.g., CP3-1-180-WH-90C20A2-3-RMT-4-W
- Remote driver ships as e.g., PS-RMT-90C20A-1L23
- JBMP ships as CY2/3-JBMP
- SMK3 ships as CY2/3-SMK-3/0-(finish)
- SMK4 ships as CY2/3-SMK-4/0-(finish)
- CMJB ships as CY3-CMJB-(finish)

Dropkit STEM NOTES

- CD3 Adjustable ships as e.g., CY3-AD-1-WH-90C20A2-3-CA2-4
- CD3 Fixed Body ships as e.g., CY3-FB1-WHBK-90C27A2-30CA240
- Remote driver ships as e.g., PS-RMT-90C20A-1L23
- JBMP ships as CD-JBMP
- SMK3 ships as CD-SMK-3/0-(finish)
- SMK4 ships as CD-SMK-4/0-(finish)
- CMJB ships as CD-CMJB-(finish)
- Stem Assembly ships as CY3-DK-(length)-(finish)

CYLINDER3 SUSPENDED MOUNT

ACCESSORIES

ADJUSTABLE & PENDANT ALTERNATE EFFECTS DEVICES

HCL-CY3-03 Honeycomb Louver *

*(Not available for Warm Dim)

CGL-CY3-03 Clear Glass Lens *

*(Not available for Warm Dim)

SFL-CY3-03 Soft Focus Lens

FGL-CY3-03 Frosted Glass Lens

FSFL-CY3-03 Frosted Soft Focus Lens

FLSL-CY3-03 Frosted Linear Spread Lens

CD3-FB ALTERNATE BAFFLE AND EFFECTS DEVICE

Includes baffle with sealed lens. Must specify baffle finish.

RBA-CY3--HCL** Honeycomb Louver *

*(Not available for Warm Dim)

RBA-CY3--CGL** Clear Glass Lens *

*(Not available for Warm Dim)

RBA-CY3--SFL** Soft Focus Lens

RBA-CY3--FGL** Frosted Glass Lens

RBA-CY3--FSFL** Frosted Soft Focus Lens

RBA-CY3--FLSL** Frosted Linear Spread Lens

** Baffle finish: Specify **WH** for white, **BK** for black, **AG** for satin silver or **AB** for architectural bronze.

CD3-FB REPLACEMENT SUCTION TOOL

Included with each CD3-FB order (1 per 10 fixtures).

CY-SQ-TOOL-SUCTION Baffle assembly removal tool

REPLACEMENT OPTICS

Interchangeable optics accessible by removing snoot or baffle.

RO-70-15-1 15° optic *

*(Not available for Warm Dim)

RO-70-25-1 25° optic

RO-70-40-1 40° optic

RO-70-60-1 60° optic

Dropkit STEM EXTENSION

RPS-DK-EXT--**** 2" - 43" Stem Extension

** Stem finish: Specify **WH** for white, **BK** for black, **AG** for satin silver or **AB** for architectural bronze.

CYLINDER 3 SUSPENDED MOUNT

STATIC WHITE PERFORMANCE - 3000K

LUMEN PACKAGE	WATTAGE	10° OPTIC NO SOFT FOCUS LENS		15° OPTIC SOFT FOCUS LENS		20° OPTIC SOFT FOCUS LENS		40° OPTIC SOFT FOCUS LENS		60° OPTIC SOFT FOCUS LENS		WW OPTIC WALLWASH LENS	
		DELIVERED	LPW	DELIVERED	LPW	DELIVERED	LPW	DELIVERED	LPW	DELIVERED	LPW	DELIVERED	LPW
80C19A	17	1040	60	1352	80	1314	77	1127	66	1202	71	863	51
80C25A	24	-	-	1802	76	1752	73	1502	63	1602	67	1151	48
80C32A	33	-	-	2353	71	2288	69	1961	59	2092	63	1503	46
90C15A	17	882	51	1158	68	1127	66	905	53	1030	61	740	44
90C20A	24	-	-	1544	65	1502	63	1287	54	1373	58	987	41
90C27A	33	-	-	2016	61	1960	59	1680	51	1792	54	1288	39
97C14A	17	731	43	1037	61	1007	59	863	51	921	54	662	39
97C19A	24	-	-	1382	58	1343	56	1151	48	1228	51	883	37
97C24A	33	-	-	1804	55	1754	53	1503	46	1603	49	1152	35
90W11A	16	-	-	-	-	994	62	941	59	986	62	613	38
90W13A	16	-	-	-	-	1046	65	991	62	1038	65	645	40



JA8-2019 INDICATED BY SHADING

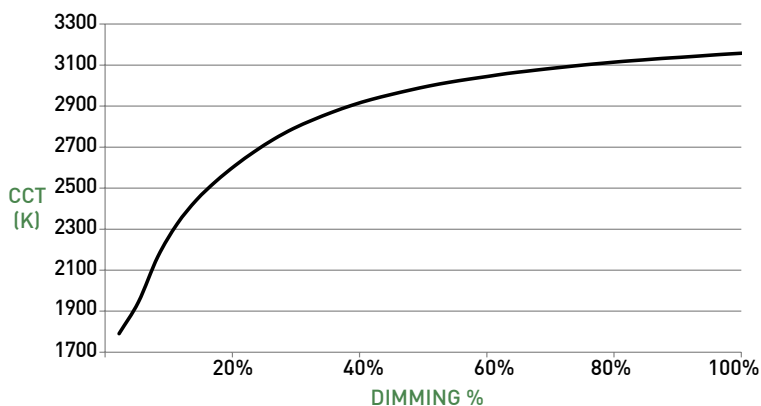
OUTPUT MULTIPLIER	
CCT	CCT SCALE
2200K (Consult factory for JA8 details)	0.800
2700K	0.957
3000K	1.000
3500K	1.019
4000K	1.030

LIGHT LOSS FACTOR MULTIPLIER	
No Lens	1.05
CGL	1.05
SFL	1.00
FGL	0.90
FSFL	0.87
FSL	0.83
HCL	0.65

WARM DIM PERFORMANCE - SOFT FOCUS LENS - 40° OPTIC

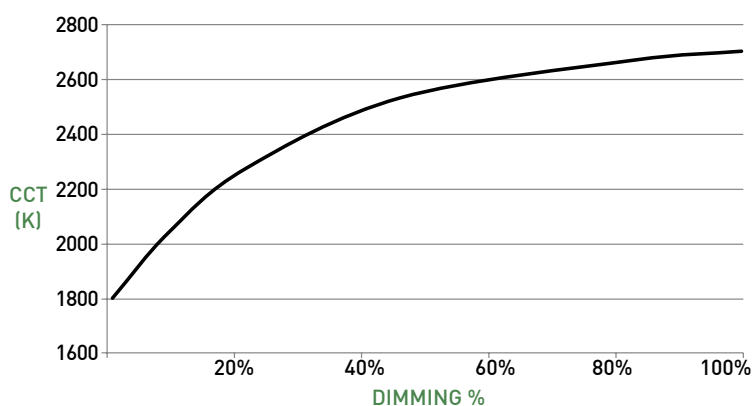
WARM DIM TO MIRROR HALOGEN DIMMING PROFILE

90W13A 3200K - 1800K	Full on 100%	Dimmed to 80%	Dimmed to 70%	Dimmed to 50%	Dimmed to 20%	Dimmed to 10%	Dimmed to 2%
CCT (K)	3200	3150	3100	3000	2700	2200	1800
Light Output (Lm)	991	793	694	495	198	99	20
Power (W)	16	13	11	8	3	1.7	0.3
Efficacy (LPW)	62	62	62	62	62	62	62



WARM DIM TO MIRROR INCANDESCENT DIMMING PROFILE

90W11A 2700K - 1800K	Full on 100%	Dimmed to 80%	Dimmed to 70%	Dimmed to 50%	Dimmed to 20%	Dimmed to 10%	Dimmed to 2%
CCT (K)	2700	2650	2620	2520	2180	1950	1800
Light Output (Lm)	941	753	659	470	188	94	20
Power (W)	16	13	11	8	3	1.7	0.3
Efficacy (LPW)	59	59	59	59	59	59	59



CYLINDER 3 SUSPENDED MOUNT

Dropkit STEM ASSEMBLY

DIMENSIONS / DRAWINGS

A LUMINAIRE
Body with integrated heat sink and LED. Conceals hidden twist-on mounting hardware. Power supply may be integral or remote mount.

B STANDARD CANOPY
Die-cast canopy accommodates flat and slope ceiling conditions. Conceals hidden twist-on mounting hardware. "AD" (60° tilt, 357° rotation) and "9D" (90° tilt, 357° rotation) canopy features 1.80" (46mm) tall canopy. Available with integral or remote driver.

C SHALLOW CANOPY
Die-cast canopy accommodates flat and slope ceiling conditions. Conceals hidden twist-on mounting hardware. "AS" (60° tilt, 357° rotation) and "9S" (90° tilt, 357° rotation) canopy features 0.50" (13mm) tall canopy, reducing overall height. Requires remote power supply.

D STANDARD OPTICS
Proprietary optics available in 10°, 15°, 25°, 40° & 60° beams.

WALLWASH OPTIC

Precision tuned kick reflector and optic provides uniform wallwashing effect.

E ADJUSTABLE EFFECTS DEVICE

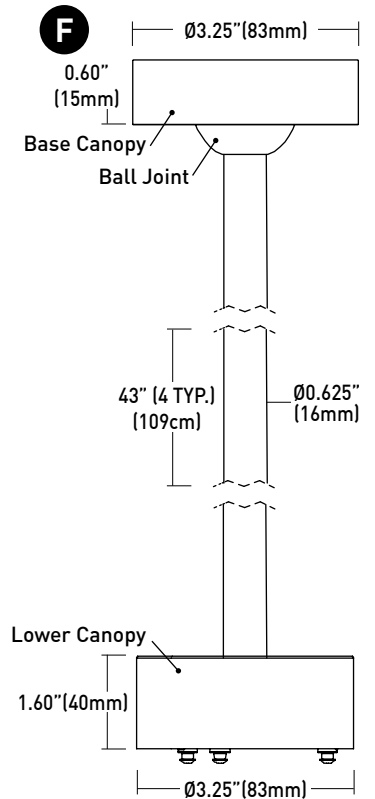
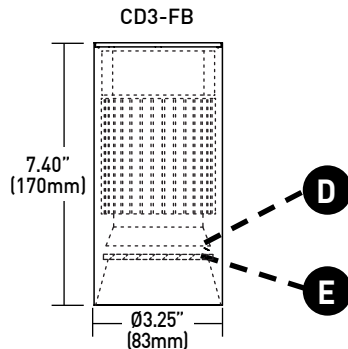
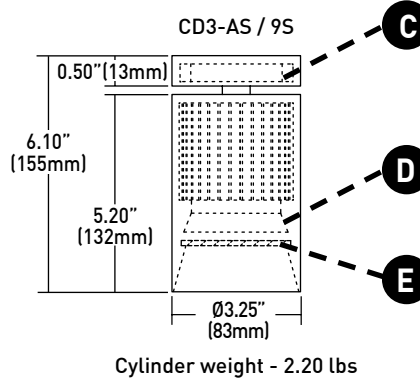
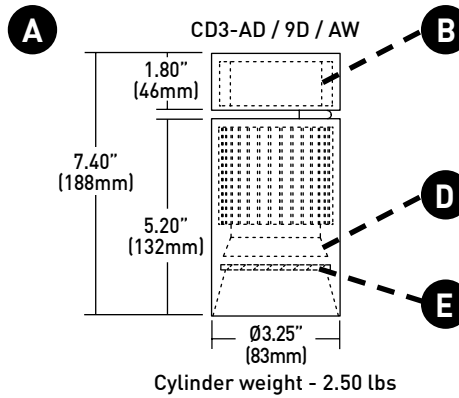
Threaded removable cowling provides virtually seamless joint with fixture body and accepts 1 lens; soft focus lens standard. Wallwash fixture is fitted with a wallwash lens.

FIXED BODY EFFECTS DEVICE

Cylinder baffle assembly can accept 1 lens; soft focus lens standard and sealed in place. Suction tool provided for removal of baffle lens assembly.

F Dropkit

- Field cuttable rigid stem for suspending fixture at desired height. Provides stable base to allow preferred fixture tilt, while maintaining vertical stem position.
- Ball joint allows up to 45° tilt for sloped ceilings and can be locked once stem is positioned vertically.
- Four 43" sections available; 172" maximum standard length.
- Length adjustment occurs in lower canopy.
- Wiring for kit provided by others.

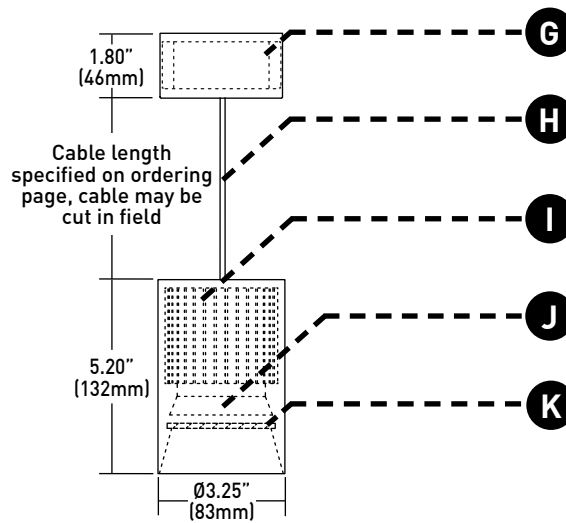


CYLINDER 3 SUSPENDED MOUNT

PENDANT

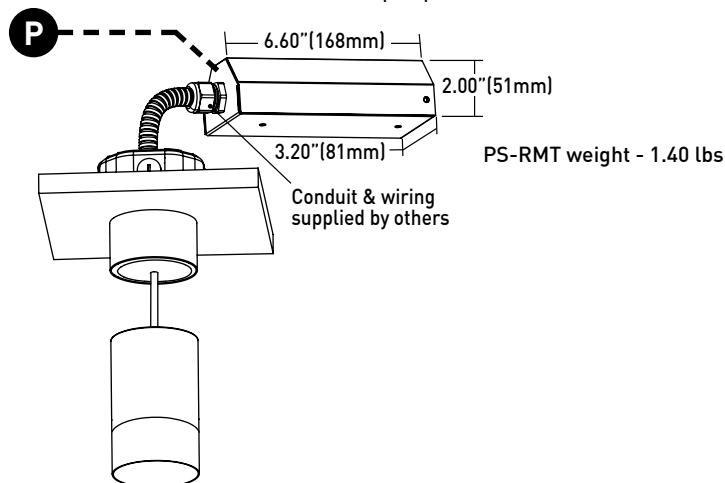
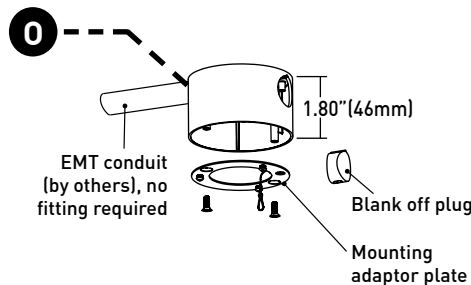
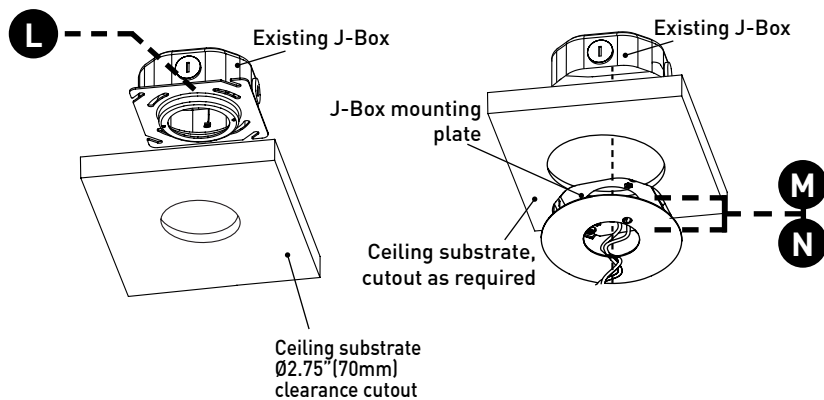
DIMENSIONS / DRAWINGS

- G CANOPY**
Die-cast 1.60" (41mm) canopy accommodates flat and slope ceiling conditions. Conceals hidden twist-on mounting hardware. Available with integral or remote driver.
- H CABLE**
Black and white wiring harness available; up to 180.0" length; cable may be cut in field.
- I LUMINAIRE**
Die-cast body with integral heat sink and LED.
- J OPTICS**
Proprietary optics available in 10°, 15°, 25°, 40° & 60° beams.
- K EFFECTS DEVICE**
Threaded removable cowling provides virtually seamless joint with fixture body and accepts 1 lens; no lens standard.



Dropkit STEM AND PENDANT MOUNTING

- L JBMP**
Mounting plate (concealed) for standard 4" square or 4" 4/0 j-box. To be installed during rough-in prior to substrate. Fixture to mount flush with minimalist transition to ceiling.
- M SMK3**
Surface mount kit includes mounting plate and 4" concealer plate that installs between fixture and standard 3" 3/0 j-box for existing applications where standard j-box cutout is to be concealed.
- N SMK4**
Surface mount kit includes mounting plate and 5" concealer plate that installs between fixture and standard 4" 4/0 j-box for existing applications where standard j-box cutout is to be concealed.
- O CMJB**
Ceiling mount junction box perfectly matches the cylinder profile for a continuous, integrated look where exposed ceiling mount junction box and conduit applications apply. For use with 1/2" and 3/4" EMT conduit only. Features two conduit entrances on either side and one conduit knockout on top of j-box. J-box is IP10 rated; painted finishes only. Blank off plugs included.



MOUNTING NOTES

- JBMP and SMK-3/0 & 4/0 not recommended for use with pancake style j-box.

REMOTE POWER SUPPLY

- P PS-RMT**
Remote power supply provides additional driver options. Mounting device still required. Consult install guide for maximum allowable secondary run lengths between PS-RMT and fixture.

CYLINDER 3 SUSPENDED MOUNT

TECHNICAL

CONSTRUCTION

Cylinder: Die-cast or Machined aluminum body; extruded aluminum internal heat-sink; painted finishes are granulated powder coat.

Dropkit Stem Assembly: Die-cast aluminum canopies and extruded aluminum stems; painted finishes are granulated powder coat.

CMJB: Die-cast aluminum body; painted finishes are granulated powder coat.

Remote Power Supply: 22 Gauge galvanized steel.

STATIC WHITE LED

2-step MacAdam ellipse LED module available in 80+, 90+ and 97+ CRI configurations in color temperatures of 2200K, 2700K, 3000K, 3500K and 4000K. Average rated lamp life of 50,000 hours. LED and driver assemblies are field-replaceable.

WARM DIM LED

3-step MacAdam ellipse warm dim LED module available in 90+ CRI configuration. 3200K or 2700K at full brightness, warming to 1800K at full dim. Average rated lamp life of 50,000 hours. LED and driver assemblies are field-replaceable.

POWER SUPPLY PERFORMANCE AND DIMMING INFORMATION

Power Supply	CA2	CE2	TR2	L23	LH1	AN4	LN2	EA2	LA2	ED1	LD1
Minimum °C	-20 °C	-20 °C	-20 °C	0 °C	0 °C	-20 °C	-20 °C	-20 °C	-20 °C	-20 °C	-20 °C
Maximum °C	40 °C	40 °C	40 °C	40 °C	40 °C	40 °C	40 °C	40 °C	40 °C	40 °C	40 °C
Dimming %	1.0%	1.0%	2.0%	1.0%	1.0%	1.0%	1.0%	0.1%	0.1%	0.1%	0.1%

Note: For TTR2, L23, LH1, AN4, LN2, EA2 and LA2 drivers consult chart on page 6 to confirm appropriate dimming curve for compatibility with selected control.

WALLWASH SPACING AND TILT

Cylinder must be tilted to achieve wallwashing effect. Recommended fixture spacing is 36" (914mm) on center with 36" (914mm) setback from wall plane with 30° tilt.

MOUNTING

Pendant is supplied with a mounting adaptor plate, which integrates with specified mounting component. Dropkit Stem integrates directly with specified mounting component. Both applications provide a minimalist transition from standard 4/0 or 4" square junction boxes and accommodating ceiling thicknesses of 0.44" (12mm) to 0.75" (19mm). Ceiling-mount junction box available for 1/2" (13mm) and 3/4" (19mm) conduit and feature concealed internal clamps for clean fitting-free conduit exit and entry.

LISTING

cTUVus listed to UL1598 standard for Dry / Damp (IP10) locations. Title 24 JA8-2019 Listed.

WARRANTY

Manufacturer's 1-year warranty guarantees product(s) listed to be free from defects in material and workmanship under normal use and service. 5-year warranty on LED and power supply to operate with 70% of the original flux and remain within a range of 3 duv. 10-year Lutron Advantage limited warranty available on Lutron equipped systems. Warranty period begins from the date of shipment by Seller and conditional upon the use of manufacturer-supplied power supply. Consult [website](#) for full warranty terms and conditions.

CHANGE LOG

- 1.09/12/2019: FIXED BODY AND ADJUSTABLE FIXTURES NOW OFFERED WITH Dropkit.
- 2.09/12/2019: NEW CONSOLIDATED SPEC SHEET WITH SINGLE NOMENCLATURE FOR SPECIFICATION.
- 3.10/21/2019: ADDED QUICK SHIP.
- 4.01/12/2021: ADDED 2200K, 2700K-1800K WARM DIM AND 10 DEGREE OPTIC OFFERINGS.
- 5.05/04/2021: REMOVED EMB OFFERING.

CYLINDER 3 SUSPENDED MOUNT

DIMMING COMPATIBILITY

PHILIPS DRIVER COMPATIBILITY

Power supply TR2 Manufacturer	Family/Model #
Lutron Electronics	DV-600P
Lutron Electronics	DVELV-303P
Lutron Electronics	NTELV-600
Lutron Electronics	MAELV-600
Lutron Electronics	SELV-300P
Lutron Electronics	DVLV-600P
Lutron Electronics	NFTU-5A
Lutron Electronics	CTCL-153P
Lutron Electronics	GL-600H
Lutron Electronics	S-600P
Lutron Electronics	PHPM
Power supply AN4 / LN2 Manufacturer	Family/Model #
Lutron Electronics	DVTV plus PP-DV
Lutron Electronics	DVSCTV plus PP-DV
Lutron Electronics	DVSTV
Lutron Electronics	DVSCSTV
Lutron Electronics	QSGRJ-XP plus GRX-TVI
Lutron Electronics	QSGRJ-XE plus GRX-TVI
Lutron Electronics	QSGR-XE plus GRX-TVI
Lutron Electronics	NFTV plus PP-DV
Lutron Electronics	NTSTV
Lutron Electronics	RMJ-5T
Lutron Electronics	RMJS-8T
Lutron Electronics	FCJS-010
Leviton	IllumaTch IP7 series
Philips	Sunrise - SR1200ZTUNV

LUTRON DRIVER COMPATIBILITY

Power supply L23 Lutron Product Family	Part No.
Maestro WirelessR 600 W dimmer	MRF2-6ND-120-
Maestro WirelessR 1000 W dimmer	MRF2-10ND-120-
Caséta® Wireless Pro 1000 W dimmer	PD-10NXD-
GRAFIK T™ CL® dimmer	GT-250M-GTJ-250M-
HomeWorks® QS adaptive dimmer	HQRD-6NA-
HomeWorks® QS 600 W dimmer	HQRD-6ND-
HomeWorks® QS 1000 W dimmer	HQRD-10ND-
RadioRA® 2 adaptive dimmer	RRD-6NA-
RadioRA® 2 1000 W dimmer	RRD-10ND
myRoom™ DIN power module	MQSE-4A1-D
HomeWorks® QS DIN power module	LQSE-4A1-D
HomeWorks® QS wallbox power module	HQRJ-WPM-6D-120
HomeWorks® wallbox power module	HWI-WPM-6D-120
GRAFIK Eye® QS control unit	QSGR-, QSGRJ-
GRAFIK Eye® 3000 control unit	GRX-3100-GRX-3500-
RPM-4U module (LCP, HomeWorks® QS, GRAFIK Systems™, Quantum®)	HW-RPM-4U-120 LP-RPM-4U-120
RPM-4A module (LCP, HomeWorks® QS, GRAFIK Systems™, Quantum®)	HW-RPM-4A-120, LP-RPM-4A-120
GP dimming panels	Various
Ariadni CL 250W dimmer	AYCL-253P-
Diva CL 250W dimmer	DVCL-253P-DCSCCL-253P-
Nova T CL 250W dimmer	NTCL-250-
Power supply LH1 Lutron Product Family	Part No.
PowPak Dimming Modules	RMJ-ECO32-DV-B
PowPak Dimming Modules	FCJ/FCJS-ECO
Energi Savr Nodes	QSN-1ECO-S
GRAFIK Eye QS control unit	QSN-2ECO-S
Homeworks QS control unit	QSGRJ- _E (wireless)
GRAFIK Eye QS control unit	QSGR- _E
Homeworks QS control unit	QSGR- _E
Quantum Hub	QP2-__ 2C
Quantum Hub	QP2-__ 4C
Quantum Hub	QP2-__ 6C
Quantum Hub	QP2-__ 8C
Homeworks QS power module	LQSE-2ECO-D
myRoom Plus power module	LQSE-2ECO-D

eldoLED DRIVER COMPATIBILITY

Power supply EA2 / LA2 Dimmer / Switch Control Manufacturer	Family/Model #
Busch-Jaeger	2112U-101
Jung	240-10
Leviton Lighting Controls	IP710-DLX
Lightolier Controls	ZP600FAM120
Lutron Electronics	Nova T® - NTFTV
Lutron Electronics	Div@® - DVTV
Lutron Electronics	Nova@® - NFTV
Merten	5729
Pass & Seymour	CD4FB-W
The Watt Stopper	DCLV1
Sensor Switch	nI0 EZ
Synergy	ISD BC
Power supply EA2 / LA2 Dimmer / Switch Control Manufacturer	Family/Model #
Dimmer / Switch Control Manufacturer	GrafixEye® GRX-TVI w GRX3503
Lutron Electronics	Energy Savr Node™ - QSN-4T16-S
Lutron Electronics	TVM2 Module
Crestron®	GLX-DIMFLV8
Crestron®	GLXP-DIMFLV8
Crestron®	GLPAC-DIMFLV4-*
Crestron®	GLPAC-DIMFLV8-*
Crestron®	GLPP-DIMFLVEX-PM
Crestron®	GLPP-1DIMFLV2EX-PM
Crestron®	GLPP-1DIMFLV3EX-PM
Crestron®	DIN-A08
Crestron®	DIN-4DIMFLV4
Crestron®	CLS-EXP-DIMFLV
Crestron®	CLCI-1DIMFLV2EX
ABB	SD/S 2.16.1

