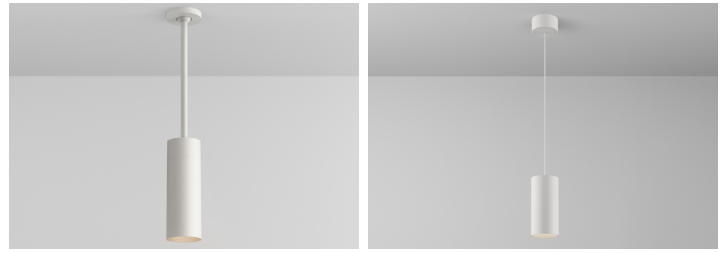


# CYLINDER 2 FIXED SUSPENDED MOUNT

Highlight art, objects, places, spaces, seating areas, and architectural details with a classic profile that offers easy-to-adjust, in-field versatility.

PROJECT NAME:	TYPE:
---------------	-------



## ORDERING INFORMATION - CYLINDER



Quick Ship Product. All rough in components ship within 10 days up to quantities of 100.



JA8-2019 COMPLIANCE INDICATED BY SHADING

CYLINDER	LENGTH	FIXTURE	RATING	CYLINDER FINISH	BAFFLE FINISH	LUMEN PACKAGE	CCT	OPTIC	DRIVER	EFFECTS DEVICE	MOUNTING			
			<b>1</b>											
<b>Dropkit® STEM ASSEMBLY</b> <b>CD2 3.13"</b>	043 2" - 43" Mechanical Dropkit Stem	<b>FB</b> Fixed Body <b>WW</b> Wallwash Unibody	1 Dry / Damp	<b>WH</b> White <b>BK</b> Black	<b>WH</b> White <b>BK</b> Black	<b>STATICWHITE</b> <b>80C12A</b> 80+ CRI FB Dlv. Lumens - 727 WW Dlv. Lumens - 807 <b>80C19A</b> 80+ CRI FB Dlv. Lumens - 1121 WW Dlv. Lumens - 1244 <b>80C25A</b> 80+ CRI FB Dlv. Lumens - 1488 WW Dlv. Lumens - 1699 <b>90C10A</b> 90+ CRI FB Dlv. Lumens - 601 WW Dlv. Lumens - 691 <b>90C15A</b> 90+ CRI FB Dlv. Lumens - 926 WW Dlv. Lumens - 1066 <b>90C20A</b> 90+ CRI FB Dlv. Lumens - 1230 WW Dlv. Lumens - 1456 <b>97C09A</b> 97+ CRI FB Dlv. Lumens - 548 WW Dlv. Lumens - 618 <b>97C14A</b> 97+ CRI FB Dlv. Lumens - 845 WW Dlv. Lumens - 905 <b>97C19A</b> 97+ CRI FB Dlv. Lumens - 1121 WW Dlv. Lumens - 1166	22 2200K* *Only available for 90+ CRI 27 2700K 30 3000K 35 3500K 40 4000K	10 10°* *Only available for 80C12A, 90C10A, and 97C09A. Not available for 2200K 15 15° 25 25° 40 40° 60 60° <b>WW</b> Wall wash* *(Required and only available for WW fixture)	<b>INTEGRAL</b> <b>CA2</b> 120-277V 0-10V Analog <b>CE2</b> 120V Electronic ELV Forward / Reverse Phase  <b>REMOTE (120V)</b> <b>TR2</b> Philips, 2% Leading / Trailing / Triac* *(Only available for 80C19A, 90C15A, 97C14A, and Warm Dim) <b>L23</b> Lutron, Hi-Lume 1% 2-Wire  <b>REMOTE (120-277V)</b> <b>LH1</b> Lutron, Hi-Lume Ecosystem 1% Fade to Black <b>LP1</b> Lutron, Hi-Lume Ecosystem 0.1% Fade to Black <b>AN4</b> Philips Xitanium 1% 0-10V, LOG <b>LN2</b> Philips Xitanium 1% 0-10V, LIN <b>EA2</b> eldoLED, SOL0drive 0.1% 0-10V, LOG <b>LA2</b> eldoLED, SOL0drive 0.1% 0-10V, LIN <b>ED1</b> eldoLED, SOL0drive 0.1% DALI, LOG <b>LD1</b> eldoLED, SOL0drive 0.1% DALI, LIN	<b>STANDARD EFFECTS DEVICE</b> <b>4</b> Soft Focus Lens <b>N</b> No Lens* *(Standard for 10" optic. Not available for Warm Dim) <b>W</b> Wallwash Lens* *(Required and only available for WW fixture)  <b>ALTERNATE EFFECTS DEVICE</b> <b>2</b> Honeycomb Louver* *(Not available for Warm Dim) <b>3</b> Clear Glass Lens* *(Not available for Warm Dim) <b>5</b> Frosted Glass Lens <b>6</b> Frosted Soft Focus Lens <b>7</b> Frosted Linear Spread Lens	<b>ROUGH-IN</b> <b>JBMP</b> 4" Sq. or 4/0 Junction Box Mounting Plate  <b>FINISH OUT</b> <b>SMK3</b> 3/0 Surface Mount Kit <b>SMK4</b> 4/0 Surface Mount Kit <b>CMJB</b> 1/2" and 3/4" Conduit Ceiling Mount Junction Box* *(Not available for MA finish. Quick Ship Product for WH and BK finishes only)			
	086 45" - 86" Mechanical Dropkit Stem			<b>AB</b> Architectural Bronze* *(Increased lead time)	<b>AB</b> Architectural Bronze* *(Increased lead time)									
	129 88" - 129" Mechanical Dropkit Stem			<b>AG</b> Satin Silver* *(Increased lead time)	<b>AG</b> Satin Silver* *(Increased lead time)									
	172 131" - 172" Mechanical Dropkit Stem			<b>CF</b> Custom Finish* *(Consult Factory)	<b>CF</b> Custom Finish* *(Consult Factory)									
	*[All lengths are field cuttable]													
<b>PENDANT</b> <b>CP2 3.13"</b>	<b>XXXB</b> Black Cable	<b>FB</b> Fixed Body	1 Dry / Damp	<b>WH</b> White <b>BK</b> Black	<b>BK</b> Black	<b>WARM DIM</b> <b>90W11A</b> 90+ CRI, Incandescent Profile FB Dlv. Lumens - 844 WW Dlv. Lumens - 733  <b>90W13A</b> 90+ CRI, Halogen Profile FB Dlv. Lumens - 889 WW Dlv. Lumens - 963  *SEE PAGE 3 FOR DETAILED WARM DIM PROFILE COMPARISON.  *ALL DELIVERED LUMEN OUTPUTS AND T24 COMPLIANCE REFLECT 3000K PAIRED WITH 40° / WW OPTIC AND STANDARD EFFECTS DEVICE. REFERENCE PAGE 3 FOR ADDITIONAL T24 COMPLIANT CONFIGURATIONS.	25 25° 40 40° 60 60°	25 25° 40 40° 60 60° <b>WW</b> Wall wash* *(Required and only available for WW fixture)	<b>REMOTE (120-277V)</b> <b>LH1</b> Lutron, Hi-Lume Ecosystem 1% Fade to Black <b>LP1</b> Lutron, Hi-Lume Ecosystem 0.1% Fade to Black <b>AN4</b> Philips Xitanium 1% 0-10V, LOG <b>LN2</b> Philips Xitanium 1% 0-10V, LIN <b>EA2</b> eldoLED, SOL0drive 0.1% 0-10V, LOG <b>LA2</b> eldoLED, SOL0drive 0.1% 0-10V, LIN <b>ED1</b> eldoLED, SOL0drive 0.1% DALI, LOG <b>LD1</b> eldoLED, SOL0drive 0.1% DALI, LIN	<b>2</b> Honeycomb Louver* *(Not available for Warm Dim) <b>3</b> Clear Glass Lens* *(Not available for Warm Dim) <b>5</b> Frosted Glass Lens <b>6</b> Frosted Soft Focus Lens <b>7</b> Frosted Linear Spread Lens				
	<b>XXXW</b> White Cable				<b>AB</b> Architectural Bronze* *(Increased lead time)		<b>AB</b> Architectural Bronze* *(Increased lead time)							
Specify cable length in whole inches (Max 180) ex. specify 006B for a 6 inch black cable* *(Cable is field cuttable)				<b>AG</b> Satin Silver* *(Increased lead time)	<b>AG</b> Satin Silver* *(Increased lead time)									
				<b>MA</b> Machined Aluminum	<b>MA</b> Machined Aluminum									
				<b>CF</b> Custom Finish* *(Consult Factory)	<b>CF</b> Custom Finish* *(Consult Factory)									



## PART NUMBER NOTES

- CD2 Adjustable ships as e.g., CY2-FB1-WHBK-90C15A2-30CA240
- Stem Assembly ships as CY2-DK-[length]-[finish]
- CP2 ships as e.g., CP2-1-180-WH-90C20A2-3-RMT-4-W
- Remote driver ships as e.g., PS-RMT-90C20A-1L23
- JBMP ships as [CY2 or CD]-JBMP
- SMK ships as [CY2 or CD]-SMK-[3/0 or 4/0]-[finish]
- CMJB ships as [CY2 or CD]-CMJB-[finish]

# CYLINDER 2 FIXED SUSPENDED MOUNT

## ACCESSORIES

### FIXED BODY ALTERNATE BAFFLE AND EFFECTS DEVICE

Includes baffle with sealed lens. Must specify baffle finish.

**RBA-CY2-\*\*-HCL** Honeycomb Louver \*

\*(Not available for Warm Dim)

**RBA-CY2-\*\*-CGL** Clear Glass Lens \*

\*(Not available for Warm Dim)

**RBA-CY2-\*\*-SFL** Soft Focus Lens

**RBA-CY2-\*\*-FGL** Frosted Glass Lens

**RBA-CY2-\*\*-FSFL** Frosted Soft Focus Lens

**RBA-CY2-\*\*-FLSL** Frosted Linear Spread Lens

\*\* Baffle finish: Specify **WH** for white, **BK** for black, **AG** for satin silver or **AB** for architectural bronze.

### PENDANT ALTERNATE EFFECTS DEVICES

**HCL-CY2-03** Honeycomb Louver \*

\*(Not available for Warm Dim)

**CGL-CY2-03** Clear Glass Lens \*

\*(Not available for Warm Dim)

**SFL-CY2-03** Soft Focus Lens

**FGL-CY2-03** Frosted Glass Lens

**FSFL-CY2-03** Frosted Soft Focus Lens

**FLSL-CY2-03** Frosted Linear Spread Lens

### REPLACEMENT OPTICS

Interchangeable optics accessible by removing snoot or baffle. Not available for Wallwash fixtures.

**RO-70-15-1** 15° optic \*

\*(Not available for Warm Dim)

**RO-70-25-1** 25° optic

**RO-70-40-1** 40° optic

**RO-70-60-1** 60° optic

### FIXED BODY REPLACEMENT SUCTION TOOL

Included with each CY2-FB order (1 per 10 fixtures).

**CY-SQ-TOOL-SUCTION** Baffle assembly removal tool

# CYLINDER 2 FIXED SUSPENDED MOUNT

## STATIC WHITE PERFORMANCE - 3000K

LUMEN PACKAGE	WATTAGE	10° OPTIC NO SOFT FOCUS LENS		15° OPTIC SOFT FOCUS LENS		20° OPTIC SOFT FOCUS LENS		40° OPTIC SOFT FOCUS LENS		60° OPTIC SOFT FOCUS LENS		WALLWASH WALLWASH LENS	
		DELIVERED	LPW	DELIVERED	LPW	DELIVERED	LPW	DELIVERED	LPW	DELIVERED	LPW	DELIVERED	LPW
80C12A	10	1000	58 (17W)	872	87	848	85	727	73	775	78	807	81
80C19A	17	-	-	1345	80	1308	78	1121	67	1196	71	1244	73
80C25A	24	-	-	1786	75	1736	73	1488	62	1587	67	1699	71
90C10A	10	848	49 (17W)	721	72	701	70	601	60	641	64	691	69
90C15A	17	-	-	1112	66	1081	65	926	55	988	59	1066	62
90C20A	24	-	-	1476	62	1435	60	1230	52	1312	55	1456	60
97C09A	10	703	41 (17W)	657	66	639	64	548	55	584	58	618	62
97C14A	17	-	-	1014	61	986	59	845	50	901	54	905	53
97C19A	24	-	-	1346	56	1308	55	1121	47	1196	50	1166	49
90W11A	16	-	-	-	-	913	57	844	49	876	55	733	43
90W13A	16	-	-	-	-	961	60	889	56	922	58	963	57



## JA8-2019 INDICATED BY SHADING

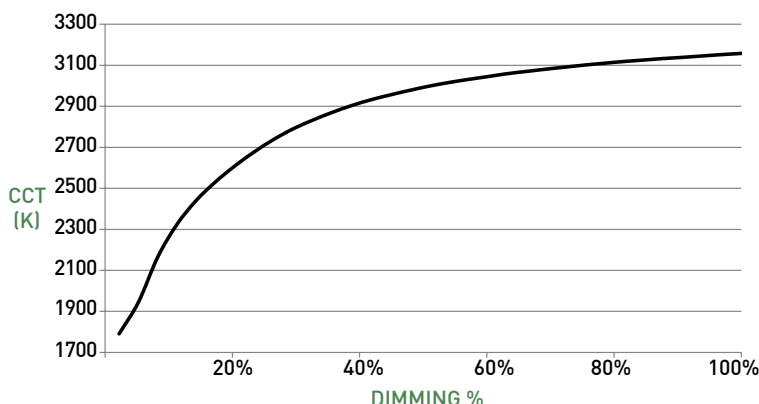
OUTPUT MULTIPLIER	
CCT	CCT SCALE
2200K (Consult factory for JA8 details)	0.800
2700K	0.957
3000K	1.000
3500K	1.019
4000K	1.030

LIGHT LOSS FACTOR MULTIPLIER	
No Lens	
CGL	1.05
SFL	1.00
FGL	0.90
FSFL	0.87
FLSL	0.83
HCL	0.65

## WARM DIM PERFORMANCE - SOFT FOCUS LENS - 40° OPTIC

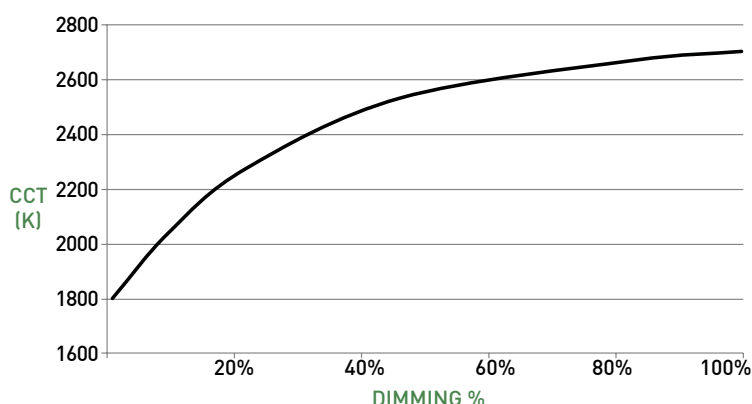
WARM DIM TO MIRROR HALOGEN DIMMING PROFILE

90W13A 3200K - 1800K	Full on 100%	Dimmed to 80%	Dimmed to 70%	Dimmed to 50%	Dimmed to 20%	Dimmed to 10%	Dimmed to 2%
CCT (K)	3200	3150	3100	3000	2700	2200	1800
Light Output (Lm)	889	711	622	444	178	89	18
Power (W)	16	13	11	8	3	1.7	0.3
Efficacy (LPW)	56	56	56	56	56	56	56



WARM DIM TO MIRROR INCANDESCENT DIMMING PROFILE

90W11A 2700K - 1800K	Full on 100%	Dimmed to 80%	Dimmed to 70%	Dimmed to 50%	Dimmed to 20%	Dimmed to 10%	Dimmed to 2%
CCT (K)	2700	2650	2620	2520	2180	1950	1800
Light Output (Lm)	844	675	591	422	169	84	17
Power (W)	16	13	11	8	3	1.7	0.3
Efficacy (LPW)	52	52	52	52	52	52	52

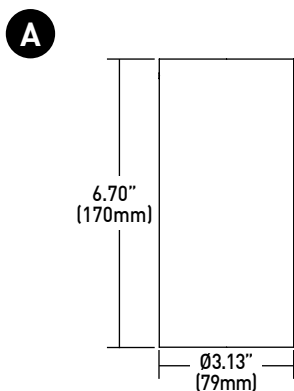


# CYLINDER 2 FIXED SUSPENDED MOUNT

## Dropkit STEM ASSEMBLY

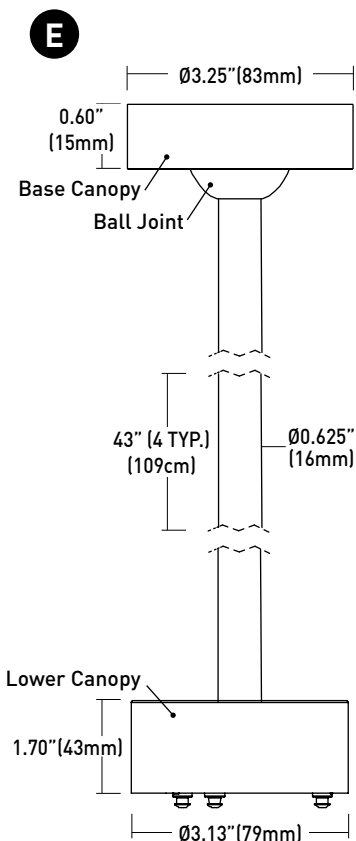
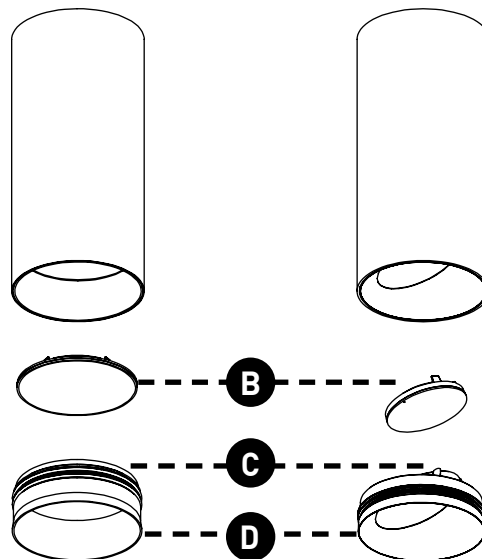
- A LUMINAIRE**  
Body with integrated heat sink and LED. Conceals mounting hardware. Power supply may be integral or remote mount.
- B STANDARD OPTICS**  
Proprietary optics available in 10°, 15°, 25°, 40° & 60° beams.
- WALLWASH OPTIC**  
Precision tuned optic provides uniform wallwashing effect.
- C EFFECTS DEVICE**  
Cylinder baffle assembly can accept 1 lens. Soft focus lens, no lens or wallwash lens standard; lenses sealed in place.
- D BAFFLE**  
Baffle minimizes aperture glare and conceals view into fixture. Suction tool provided for removal of CY2-FB baffle.
- E Dropkit**
  - Field cuttable rigid stem for suspending fixture at desired height. Provides stable base to allow preferred fixture tilt, while maintaining vertical stem position.
  - Ball joint allows up to 45° tilt for sloped ceilings and can be locked once stem is positioned vertically.
  - Four 43" sections available; 172" maximum standard length.
  - Length adjustment occurs in lower canopy.
  - Wiring for kit provided by others.

## DIMENSIONS / DRAWINGS



FIXED BODY

WALLWASH UNIBODY

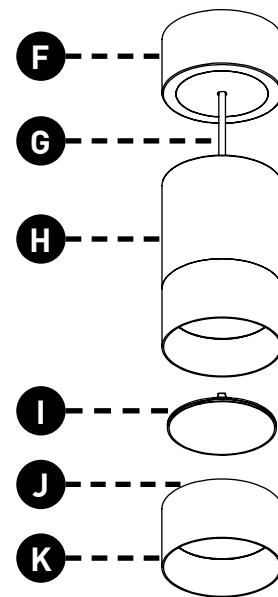
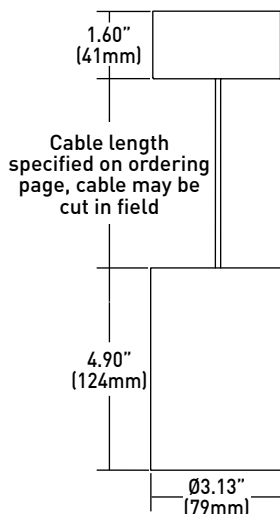


# CYLINDER 2 FIXED SUSPENDED MOUNT

## PENDANT

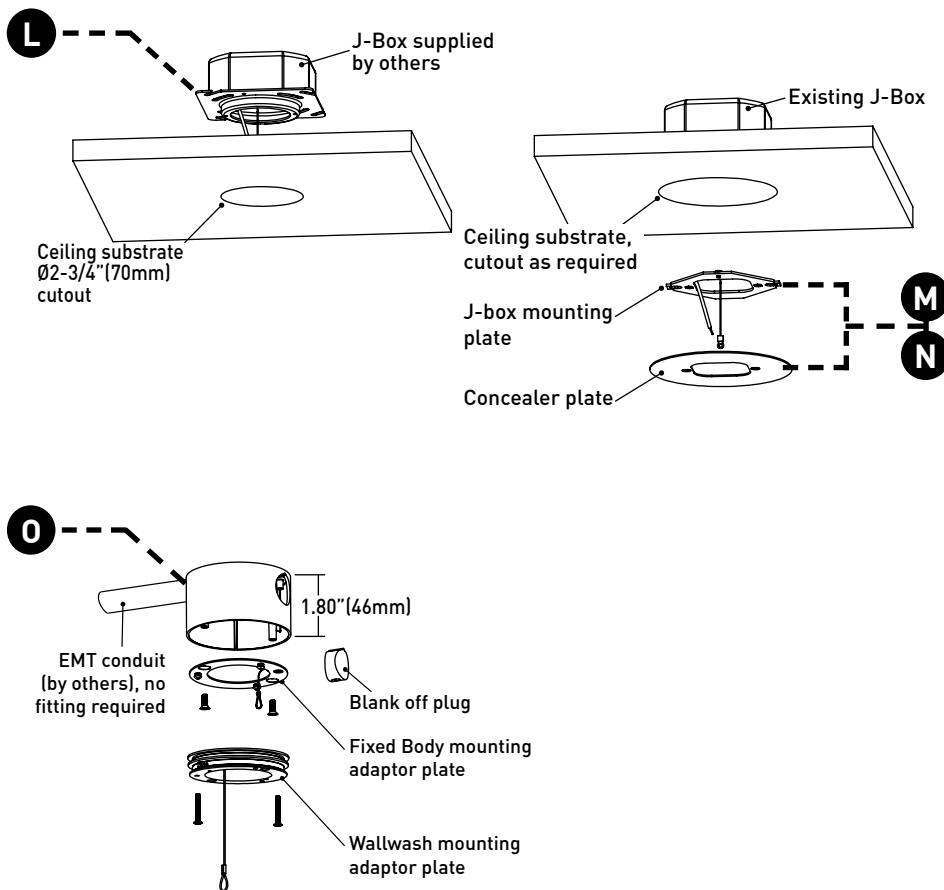
## DIMENSIONS / DRAWINGS

- F CANOPY**  
Die-cast 1.60" (41mm) canopy accommodates flat and slope ceiling conditions. Conceals hidden twist-on mounting hardware. Available with integral or remote driver.
- G CABLE**  
Black and white wiring harness available; up to 180.0" length; cable may be cut in field.
- H LUMINAIRE**  
Die-cast body with integral heat sink and LED.
- I OPTICS**  
Proprietary optics available in 10°, 15°, 25°, 40° & 60° beams.
- J EFFECTS DEVICE**  
Cylinder baffle assembly can accept 1 lens; soft focus lens or no lens standard and sealed in place.
- K BAFFLE**  
Threaded removable cowling provides virtually seamless joint with fixture body.



## Dropkit AND PENDANT MOUNTING

- L JBMP**  
Mounting plate (concealed) for standard 4" square or 4" 4/0 j-box. To be installed during rough-in prior to substrate. Fixture to mount flush with minimalist transition to ceiling.
- M SMK3**  
Surface mount kit includes mounting plate and 4" concealer plate that installs between fixture and standard 3" 3/0 j-box for existing applications where standard j-box cutout is to be concealed.
- N SMK4**  
Surface mount kit includes mounting plate and 5" concealer plate that installs between fixture and standard 4" 4/0 j-box for existing applications where standard j-box cutout is to be concealed.
- O CMJB**  
Ceiling mount junction box perfectly matches the cylinder profile for a continuous, integrated look where exposed ceiling mount junction box and conduit applications apply. For use with 1/2" and 3/4" EMT conduit only. Features two conduit entrances on either side and one conduit knockout on top of j-box. J-box is IP10 rated; painted finishes only. Blank off plugs included.



## MOUNTING NOTES

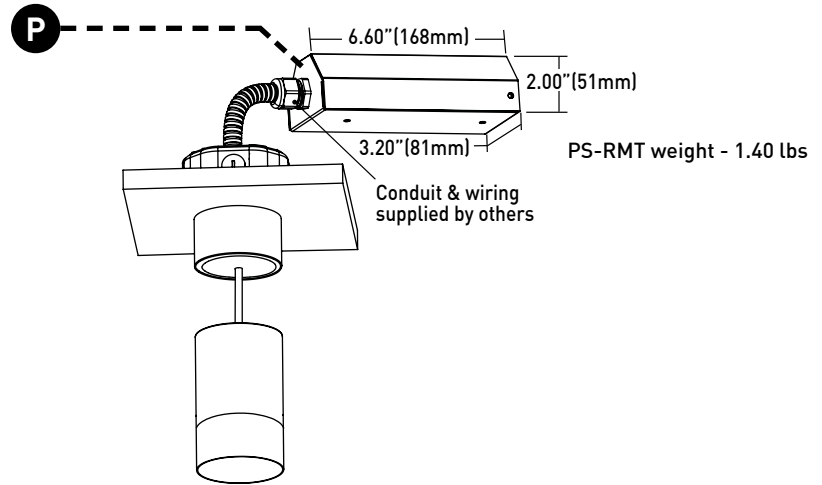
- JBMP and SMK-3/0 & 4/0 not recommended for use with pancake style j-box.

# CYLINDER 2 FIXED SUSPENDED MOUNT

## REMOTE POWER SUPPLY

- P** PS-RMT  
Remote power supply provides additional driver options. Mounting device still required. Consult install guide for maximum allowable secondary run lengths between PS-RMT and cylinder.

## DIMENSIONS / DRAWINGS



# CYLINDER 2 FIXED SUSPENDED MOUNT

## TECHNICAL

### CONSTRUCTION

**Cylinder:** Die-cast or Machined aluminum body; extruded aluminum internal heat-sink; painted finishes are granulated powder coat.

**Dropkit Stem Assembly:** Die-cast aluminum canopies and extruded aluminum stems; painted finishes are granulated powder coat.

**CMJB:** Die-cast aluminum body; painted finishes are granulated powder coat.

**Remote Power Supply:** 22 Gauge galvanized steel.

### STATIC WHITE LED

2-step MacAdam ellipse LED module available in 80+, 90+ and 97+ CRI configurations in color temperatures of 2200K, 2700K, 3000K, 3500K and 4000K. Average rated lamp life of 50,000 hours. LED and driver assemblies are field-replaceable.

### WARM DIM LED

3-step MacAdam ellipse warm dim LED module available in 90+ CRI configuration. 3200K or 2700K at full brightness, warming to 1800K at full dim. Average rated lamp life of 50,000 hours. LED and driver assemblies are field-replaceable.

### POWER SUPPLY PERFORMANCE AND DIMMING INFORMATION

Power Supply	CA2	CE2	TR2	L23	LH1	LP1	AN4	LN2	EA2	LA2	ED1	LD1
Minimum °C	-20 °C	-20 °C	-20 °C	0 °C	0 °C	0 °C	-20 °C	-20 °C	-20 °C	-20 °C	-20 °C	-20 °C
Maximum °C	40 °C	40 °C	40 °C	40 °C	40 °C	40 °C	40 °C	40 °C	40 °C	40 °C	40 °C	40 °C
Dimming %	2.0%	2.0%	2.0%	1.0%	1.0%	0.1%	1.0%	1.0%	0.1%	0.1%	0.1%	0.1%

Note: For TR2, L23, LH1, LP1, AN4, LN2, EA2 and LA2 drivers consult chart on page 8 to confirm appropriate dimming curve for compatibility with selected control.

### WALLWASH SPACING

Factory recommends 48" (1219mm) spacing on center with 36" (914mm) setback from wall plane.

### MOUNTING

Pendant is supplied with a mounting adaptor plate, which integrates with specified mounting component. Dropkit Stem integrates directly with specified mounting component. Both applications provide a minimalist transition from standard 4/0 or 4" square junction boxes and accommodating ceiling thicknesses of 0.44" (12mm) to 0.75" (19mm). Ceiling-mount junction box available for 1/2" (13mm) and 3/4" (19mm) conduit and feature concealed internal clamps for clean fitting-free conduit exit and entry.

### LISTING

cTUVus listed to UL1598 standard for Dry / Damp (CY2-FB IP14 and CY2-WW IP30) locations. Title 24 JA8-2019 Listed.

### WARRANTY

Manufacturer's 1-year warranty guarantees product(s) listed to be free from defects in material and workmanship under normal use and service. 5-year warranty on LED and power supply to operate with 70% of the original flux and remain within a range of 3 duv. 10-year Lutron Advantage limited warranty available on Lutron equipped systems. Warranty period begins from the date of shipment by Seller and conditional upon the use of manufacturer-supplied power supply. Consult [website](#) for full warranty terms and conditions.

### CHANGE LOG

- 04/27/2021: ADDED WALLWASH UNIBODY, AND LP1 DRIVER OFFERINGS.
- 01/12/2021: ADDED 2200K, 2700K-1800K WARM DIM AND 10 DEGREE OPTIC OFFERINGS.
- 10/21/2019: ADDED QUICK SHIP.
- 9/12/2019: NEW CONSOLIDATED SPEC SHEET WITH SINGLE NOMENCLATURE FOR SPECIFICATION.
- 9/12/2019: FIXED BODY AND ADJUSTABLE FIXTURES NOW OFFERED WITH Dropkit.

# CYLINDER 2 FIXED SUSPENDED MOUNT

## DIMMING COMPATIBILITY

### PHILIPS DRIVER COMPATIBILITY

Power supply <b>TR2</b> Manufacturer	Family/Model #
Lutron Electronics	DV-600P
Lutron Electronics	DVELV-303P
Lutron Electronics	NTELV-600
Lutron Electronics	MAELV-600
Lutron Electronics	SELV-300P
Lutron Electronics	DVLV-600P
Lutron Electronics	NFTU-5A
Lutron Electronics	CTCL-153P
Lutron Electronics	GL-600H
Lutron Electronics	S-600P
Lutron Electronics	PHPM
Power supply <b>AN4 / LN2</b> Manufacturer	Family/Model #
Lutron Electronics	DVTV plus PP-DV
Lutron Electronics	DVSCTV plus PP-DV
Lutron Electronics	DVSTV
Lutron Electronics	DVSCSTV
Lutron Electronics	QSGRJ-XP plus GRX-TVI
Lutron Electronics	QSGRJ-XE plus GRX-TVI
Lutron Electronics	QSGR-XE plus GRX-TVI
Lutron Electronics	NFTV plus PP-DV
Lutron Electronics	NTSTV
Lutron Electronics	RMJ-5T
Lutron Electronics	RMJS-8T
Lutron Electronics	FCJS-010
Leviton	IllumaTch IP7 series
Philips	Sunrise - SR1200ZTUNV

### LUTRON DRIVER COMPATIBILITY

Power supply <b>L23</b> Lutron Product Family	Part No.
Maestro WirelessR 600 W dimmer	MRF2-6ND-120-
Maestro WirelessR 1000 W dimmer	MRF2-10ND-120-
Caséta® Wireless Pro 1000 W dimmer	PD-10NXD-
GRAFIK T™ CL® dimmer	GT-250M-GTJ-250M-
HomeWorks® QS adaptive dimmer	HQRD-6NA-
HomeWorks® QS 600 W dimmer	HQRD-6ND-
HomeWorks® QS 1000 W dimmer	HQRD-10ND-
RadioRA® 2 adaptive dimmer	RRD-6NA-
RadioRA® 2 1000 W dimmer	RRD-10ND
myRoom™ DIN power module	MQSE-4A1-D
HomeWorks® QS DIN power module	LQSE-4A1-D
HomeWorks® QS wallbox power module	HQRJ-WPM-6D-120
HomeWorks® wallbox power module	HWI-WPM-6D-120
GRAFIK Eye® QS control unit	QSGR-, QSGRJ-
GRAFIK Eye® 3000 control unit	GRX-3100-GRX-3500-
RPM-4U module (LCP, HomeWorks® QS, GRAFIK Systems™, Quantum®)	HW-RPM-4U-120 LP-RPM-4U-120
RPM-4A module (LCP, HomeWorks® QS, GRAFIK Systems™, Quantum®)	HW-RPM-4A-120, LP-RPM-4A-120
GP dimming panels	Various
Ariadni CL 250W dimmer	AYCL-253P-
Diva CL 250W dimmer	DVCL-253P-DCSCCL-253P-
Nova T CL 250W dimmer	NTCL-250-
Power supply <b>LH1 / LP1</b> Lutron Product Family	Part No.
PowPak Dimming Modules	RMJ-ECO32-DV-B
PowPak Dimming Modules	FCJ/FCJS-ECO
Energi Savr Nodes	QSN-1ECO-S
GRAFIK Eye QS control unit	QSN-2ECO-S
Homeworks QS control unit	QSGRJ- _E (wireless) QSGR- _E
Quantum Hub	QP2-__ 2C
Quantum Hub	QP2-__ 4C
Quantum Hub	QP2-__ 6C
Quantum Hub	QP2-__ 8C
Homeworks QS power module	LQSE-2ECO-D
myRoom Plus power module	

### eldoLED DRIVER COMPATIBILITY

Power supply <b>EA2 / LA2</b> Dimmer / Switch Control Manufacturer	Family/Model #
Busch-Jaeger	2112U-101
Jung	240-10
Leviton Lighting Controls	IP710-DLX
Lightolier Controls	ZP600FAM120
Lutron Electronics	Nova T® - NTFTV
Lutron Electronics	Div@® - DVTV
Lutron Electronics	Nova@® - NFTV
Merten	5729
Pass & Seymour	CD4FB-W
The Watt Stopper	DCLV1
Sensor Switch	nI0 EZ
Synergy	ISD BC
Power supply <b>EA2 / LA2</b> Lighting Control Systems Manufacturer	Family/Model #
Lutron Electronics	GrafixEye® GRX-TVI w GRX3503
Lutron Electronics	Energy Savr Node™ - QSN-4T16-S
Lutron Electronics	TVM2 Module
Crestron®	GLX-DIMFLV8
Crestron®	GLXP-DIMFLV8
Crestron®	GLPAC-DIMFLV4-*
Crestron®	GLPAC-DIMFLV8-*
Crestron®	GLPP-DIMFLVEX-PM
Crestron®	GLPP-1DIMFLV2EX-PM
Crestron®	GLPP-1DIMFLV3EX-PM
Crestron®	DIN-A08
Crestron®	DIN-4DIMFLV4
Crestron®	CLS-EXP-DIMFLV
Crestron®	CLCI-1DIMFLV2EX
ABB	SD/S 2.16.1

