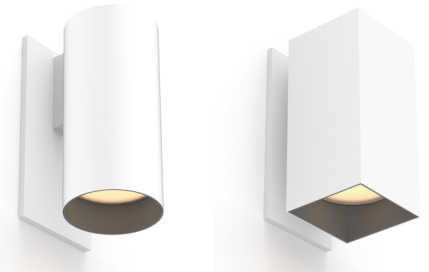


WALL SCONCE CYLINDER & SQUILINDER®

PROJECT NAME:	TYPE:
---------------	-------



Exceptional adaptability and performance in classic and modern silhouettes that mount seamlessly and invisibly to the wall.

ORDERING INFORMATION

TITLE 24 JA8-2019 INDICATED BY SHADING

SHAPE	TYPE	RATING	BODY FINISH	BAFFLE FINISH	LUMEN PACKAGE	OCT	LOWER OPTIC	UPPER OPTIC	DRIVER	LOWER LENS	UPPER LENS
		2									
CW2 Cylinder	DF Downlight	2 Wet (IP65)	WH White	WH White	DOWNLIGHT (DF) STATIC WHITE	22 2200K*	15 15°	00 DF Only*	DOWNLIGHT (DF)	3 Clear Glass Lens*	9 Diffusion Lens*
SW2 Squilinder	UD Up / Downlight		BK Black	BK Black	80C12A 80+ CRI, Delivered Lumens - 706	* (Only available for 90+ CRI)	25 25°	* (Required with DF fixture)	INTEGRAL	* (Not available for Warm Dim)	* (Required with UD fixture)
			AB Architectural Bronze	AB Architectural Bronze	80C19A 80+ CRI, Delivered Lumens - 1092	27 2700K	40 40°		RP1 120V, 1% ELV / TRIAC or 120-277V, 1% 0-10V Analog Logarithmic	4 Soft Focus Lens	LEAVE BLANK FOR DOWNLIGHT (DF)
			AG Satin Silver	AG Satin Silver	80C23A 80+ CRI, Delivered Lumens - 1337	30 3000K	60 60°		REMOTE (120V)	5 Frosted Glass Lens	
			AU Cashmere Gold	AU Cashmere Gold	90C10A 90+ CRI, Delivered Lumens - 604	35 3500K			TR2 Philips, 2% Leading/ Trailing/Triac*	6 Frosted Soft Focus Lens	
			BB Burnt Bronze	BB Burnt Bronze	90C15A 90+ CRI, Delivered Lumens - 937	40 4000K			* (Only available with 80C19A, 90C15A and 97C14A)	7 Frosted Linear Spread Lens*	
			CF Custom Finish* *(Consult Factory)	CF Custom Finish* *(Consult Factory)	90C20A 90+ CRI, Delivered Lumens - 1140				UP / DOWNLIGHT (UD)	* (Not available for Squilinder)	
					DOWNLIGHT (DF) WARM DIM		25 25°	00 DF Only*	INTEGRAL		
					90W11A 90+ CRI, Delivered Lumens - 844 Incandescent Profile	WL 2700K - 1800K	40 40°	* (Required with DF fixture)	CA2 120-277V 0-10V Analog Logarithmic		
					90W13A 90+ CRI, Delivered Lumens - 888 Halogen Profile	WD 3200K - 1800K	60 60°		CE2 120V Electronic ELV Forward / Reverse Phase		
					*SEE PAGE 3 FOR DETAILED WARM DIM PROFILE COMPARISON.						
					UP / DOWNLIGHT (UD) STATIC WHITE	22 2200K*	15 15°	15 15°	DOWNLIGHT (DF) & UP / DOWNLIGHT (UD)		
					80C12A 80+ CRI, 1200 Source Lumens (Delivered - 1,587)	* (Only available for 90C10A)	25 25°	40 40°	REMOTE (120V)		
					90C10A 90+ CRI, 1000 Source Lumens (Delivered - 1,361)	27 2700K	40 40°	60 60°	L23 Lutron, Hi-Lume 1% 2-Wire		
					97C09A 97+ CRI, 900 Source Lumens (Delivered - 1,220)	30 3000K	60 60°		REMOTE (120-277V)		
						35 3500K			LH1 Lutron, Hi-Lume 1% Ecosystem		
						40 4000K			AN4 Philips Titanium 1% 0-10V, LOG		
					*ALL DELIVERED LUMEN OUTPUTS AND T24 COMPLIANCE REFLECT 3000K PAIRED WITH 40° OPTIC AND SOFT FOCUS LENS. REFERENCE PAGE 3 FOR ADDITIONAL T24 COMPLIANT CONFIGURATIONS.				EA2 eldoLED, SOL0drive 0.1% 0-10V, LOG		
									ED1 eldoLED, SOL0drive 0.1% DALI, LOG		



SPECIFICATION NOTES

- Wall Sconce (ex.) CW2-DF2-WHBK-90C20A2-30-RP1-40
- Wall Sconce (ex.) SW2-UD2-WHBK-80C12A2-33-RMT-49
- Up / Downlight (UD) fixtures require two remote drivers
- Remote driver(s) ships as (ex.) PS-RMT-80C12A-1L23

WALL SCONCE

ACCESSORIES

CYLINDER ALTERNATE BAFFLE AND EFFECTS DEVICE

Includes baffle with sealed lens.

Must specify baffle finish.

RBA-CY2--CGL** Clear Glass Lens*

*(Not available for Warm Dim)

RBA-CY2--SFL** Soft Focus Lens

RBA-CY2--FGL** Frosted Glass Lens

RBA-CY2--FSFL** Frosted Soft Focus Lens

RBA-CY2--FSL** Frosted Linear Spread Lens

** Baffle finish: Specify **WH** for white, **BK** for black, **AG** for satin silver, **AB** for architectural bronze, **AU** for cashmere gold, or **BB** for burnt bronze.

LOWER REPLACEMENT OPTIC

RO-70-15-1 15° optic

RO-70-25-1 25° optic

RO-70-40-1 40° optic

RO-70-60-1 60° optic

REPLACEMENT SUCTION TOOL

Included with each order [1 per 10 fixtures].

CY-SQ-TOOL-SUCTION Baffle assembly removal tool

SQUILINDER ALTERNATE BAFFLE AND EFFECTS DEVICE

Includes baffle with sealed lens.

Must specify baffle finish.

RBA-SQ2--CGL-2** Clear Glass Lens*

*(Not available for Warm Dim)

RBA-SQ2--SFL-2** Soft Focus Lens

RBA-SQ2--FGL-2** Frosted Glass Lens

RBA-SQ2--FSFL-2** Frosted Soft Focus Lens

** Baffle finish: Specify **WH** for white, **BK** for black, **AG** for satin silver, **AB** for architectural bronze, **AU** for cashmere gold, or **BB** for burnt bronze.

UPPER REPLACEMENT OPTIC

RO-50-15-1 15° optic

RO-50-40-1 40° optic

RO-50-60-1 60° optic

STATIC WHITE PERFORMANCE - 3000K - SOFT FOCUS LENS

LUMEN PACKAGE	WATTAGE	15° OPTIC		25° OPTIC		40° OPTIC		60° OPTIC	
		DELIVERED	LPW	DELIVERED	LPW	DELIVERED	LPW	DELIVERED	LPW
DOWNLIGHT									
80C12A	10	813	81	764	76	706	70	789	78
80C19A	17	1257	74	1182	69	1092	64	1221	72
80C23A	21	1539	73	1448	68	1337	63	1495	71
90C10A	10	695	69	654	65	604	60	675	68
90C15A	17	1078	63	1014	59	937	55	1047	61
90C20A	21	1313	62	1235	58	1140	54	1275	60
97C09A	10	625	62	588	58	543	54	607	60
97C14A	17	961	57	904	53	835	49	933	55
97C18A	21	1180	56	1110	52	1025	48	1146	54
90W11A	16	-	-	803	50	729	45	825	52
90W13A	16	-	-	845	52	767	48	868	54
UPLIGHT									
80C12A*	10	922	92	-	-	881	88	919	92
90C10A*	10	793	79	-	-	757	76	790	79
97C09A*	10	709	71	-	-	677	68	707	71

OUTPUT MULTIPLIER	
CCT	CCT SCALE
2200K (Consult factory for JA8 details)	0.800
2700K	0.957
3000K	1.000
3500K	1.019
4000K	1.030

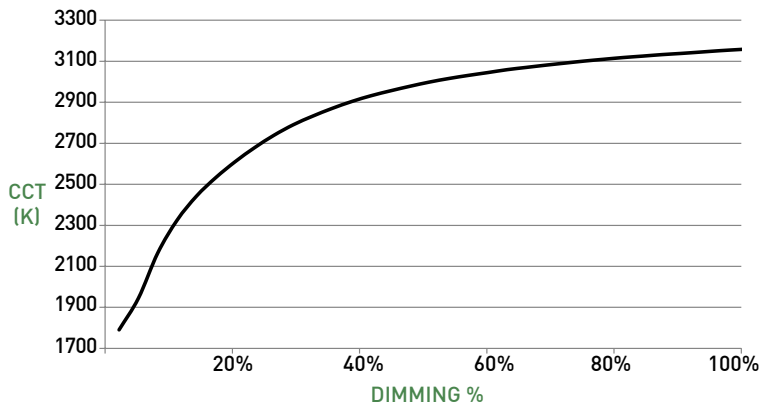
LIGHT LOSS FACTOR	
No Lens	1.05
CGL	1.05
SFL	1.00
FGL	0.90
FSFL	0.87
FLSL	0.83

***NOTE:** To determine total performance for up / downlight (UD) fixture, add delivered lumens of Up and Down configurations and divide by total system wattage (20W = 10W Up + 10W Down).

WARM DIM PERFORMANCE - SOFT FOCUS LENS - 40° OPTIC

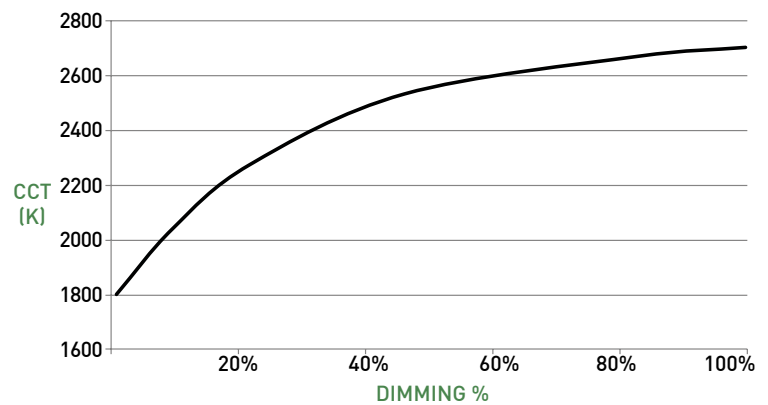
WARM DIM TO MIRROR HALOGEN DIMMING PROFILE

90W13A 3200K - 1800K	Full on 100%	Dimmed to 80%	Dimmed to 70%	Dimmed to 50%	Dimmed to 20%	Dimmed to 10%	Dimmed to 2%
CCT (K)	3200	3150	3100	3000	2700	2200	1800
Light Output (Lm)	767	614	537	383	153	77	15
Power (W)	16	13	11	8	3	1.7	0.3
Efficacy (LPW)	48	48	48	48	48	48	48



WARM DIM TO MIRROR INCANDESCENT DIMMING PROFILE

90W11A 2700K - 1800K	Full on 100%	Dimmed to 80%	Dimmed to 70%	Dimmed to 50%	Dimmed to 20%	Dimmed to 10%	Dimmed to 2%
CCT (K)	2700	2650	2620	2520	2180	1950	1800
Light Output (Lm)	729	583	510	364	146	73	14
Power (W)	16	13	11	8	3	1.7	0.3
Efficacy (LPW)	45	45	45	45	45	45	45

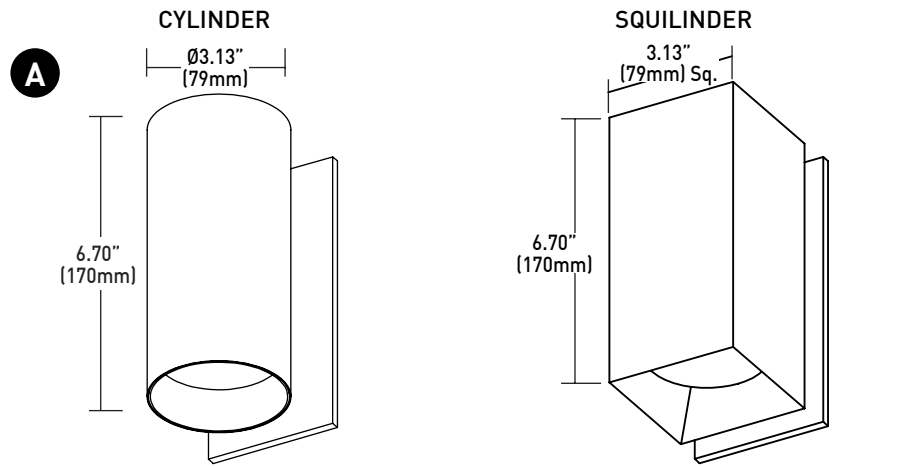


WALL SCONCE

CYLINDER

- A LUMINAIRE**
Machined aluminum body with integrated heat sink and LED; power supply may be integral or remote mount.
- B LOWER OPTIC**
Proprietary optics available in 15°, 25°, 40° & 60° beams.
- C LOWER EFFECTS DEVICES**
Cylinder baffle lens assembly can accept 1 lens sealed in place. Soft focus lens included as standard for lens. Suction tool provided for removal of baffle lens assembly.
- D UPPER EFFECTS DEVICES**
Cylinder assembly can accept 1 lens sealed in place. Diffusion lens included as standard for lens.
- E UPPER OPTIC**
Proprietary field-changeable optics available in 15°, 40° & 60° beams.

DIMENSIONS / DRAWINGS

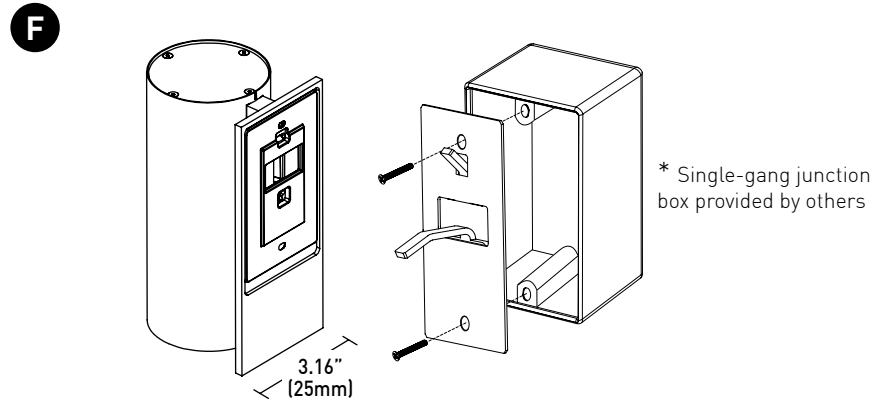
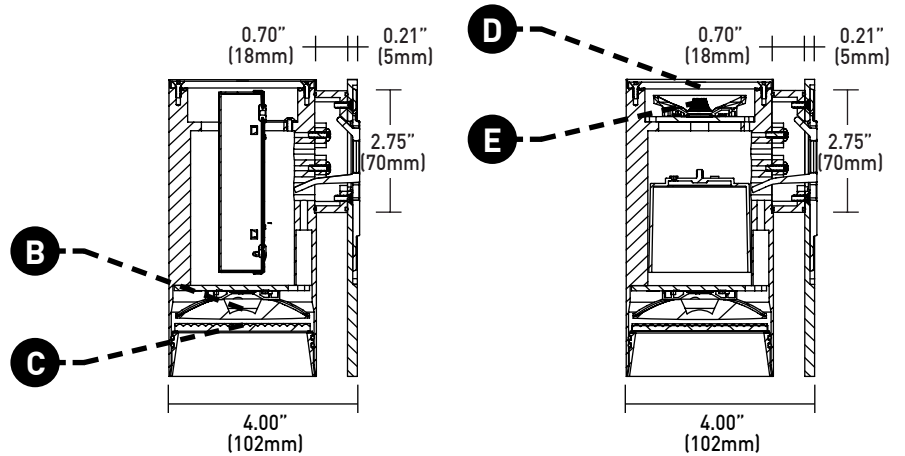


MOUNTING

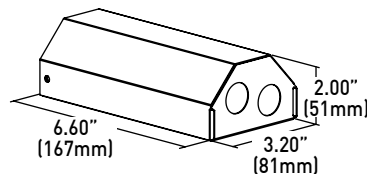
- F MOUNTING PLATE**
Mounting plate (concealed) with factory supplied hidden screws after wall is fully finished. Single-gang junction box required for mounting. Fixture to mount flush with minimalist transition to wall.

REMOTE POWER SUPPLY

- G PS-RMT**
Remote power supply provides additional driver options. Consult installation guide for maximum allowable secondary run lengths between PS-RMT and fixture. Must be installed in an accessible location.



- G PS-RMT weight - 1.40 lbs**



WALL SCONCE

TECHNICAL

CONSTRUCTION

Cylinder / Squilinder: Machined aluminum body; extruded aluminum internal heat-sink; painted finishes are granulated powder coat.

Remote Power Supply: 22 Gauge galvanized steel.

STATIC WHITE LED

2-step MacAdam ellipse LED module available in 80+, 90+ and 97+ CRI configurations in color temperatures of 2200K, 2700K, 3000K, 3500K and 4000K. Average rated lamp life: 50,000 hours. LED and driver assemblies are field-replaceable.

WARM DIM LED

3-step MacAdam ellipse warm dim LED module available in 90+ CRI configuration. 3200K or 2700K at full brightness, warming to 1800K at full dim. Average rated lamp life of 50,000 hours. LED and driver assemblies are field-replaceable.

POWER SUPPLY PERFORMANCE AND DIMMING INFORMATION

Power Supply	CA2	CE2	RP1	TR2	L23	LH1	AN4	EA2	ED1
Minimum °C	-20 °C	-20 °C	-10 °C	-20 °C	0 °C	0 °C	-20 °C	-20 °C	-20 °C
Maximum °C	40 °C	40 °C	40 °C	40 °C	40 °C	40 °C	40 °C	40 °C	40 °C
Dimming %	2.0%	2.0%	1.0%	2.0%	1.0%	1.0%	1.0%	0.1%	0.1%

Note: For TR2, L23, LH1, AN4 and EA2 drivers consult chart on page 6 to confirm appropriate dimming curve for compatibility with selected control.

MOUNTING

Cylinder is supplied with a mounting adaptor plate providing a minimalist transition accommodating wall thicknesses of 0.44" (7/16", 12mm) to 0.75" (3/4", 19mm).

OPERATING TEMPERATURE

Down Light: 104°F (40°C).

LISTING

cTUVus listed to UL1598 standard for Dry / Damp and Wet (IP65) locations. Title 24 JA8-2019 Listed.

WARRANTY

Manufacturer's 1-year warranty guarantees product(s) listed to be free from defects in material and workmanship under normal use and service. 5-year warranty on LED and power supply to operate with 70% of the original flux and remain within a range of 3 duv. 10-year Lutron Advantage limited warranty available on Lutron equipped systems. Warranty period begins from the date of shipment by Seller and conditional upon the use of manufacturer-supplied power supply. [Consult website for full warranty terms and conditions.](#)

CHANGE LOG

- 9/19/2019: WALL SCONCE NOW AVAILABLE IN UP / DOWNLIGHT CONFIGURATION.
- 9/19/2019: NEW CONSOLIDATED SPEC SHEET WITH SINGLE NOMENCLATURE FOR SPECIFICATION.
- 11/19/2019: UPDATED 90C16A LUMEN PACKAGE TO 90C15A.
- 3/31/2020: UPDATED SQUILINDER RBA PART NUMBERS.
- 01/12/2021: ADDED 2200K, 2700K-1800K WARM DIM OFFERINGS.
- 05/04/2021: REMOVED EMB OFFERINGS.

WALL SCENCE

DIMMING COMPATIBILITY

PHILIPS DRIVER COMPATIBILITY

Power supply TR2	Family/Model #
Lutron Electronics	DV-600P
Lutron Electronics	DVELV-303P
Lutron Electronics	NTELV-600
Lutron Electronics	MAELV-600
Lutron Electronics	SELV-300P
Lutron Electronics	DVLV-600P
Lutron Electronics	NFTU-5A
Lutron Electronics	CTCL-153P
Lutron Electronics	GL-600H
Lutron Electronics	S-600P
Lutron Electronics	PHPM
Power supply AN4	Family/Model #
Lutron Electronics	DVTV plus PP-DV
Lutron Electronics	DVSCTV plus PP-DV
Lutron Electronics	DVSTV
Lutron Electronics	DVSCSTV
Lutron Electronics	QSGRJ-XP plus GRX-TVI
Lutron Electronics	QSGRJ-XE plus GRX-TVI
Lutron Electronics	QSGR-XE plus GRX-TVI
Lutron Electronics	NFTV plus PP-DV
Lutron Electronics	NTSTV
Lutron Electronics	RMJ-5T
Lutron Electronics	RMJS-8T
Lutron Electronics	FCJS-010
Leviton	IllumaTch IP7 series
Philips	Sunrise - SR1200ZTUNV

LUTRON DRIVER COMPATIBILITY

Power supply L23	Part No.
Maestro WirelessR 600 W dimmer	MRF2-6ND-120-
Maestro WirelessR 1000 W dimmer	MRF2-10ND-120-
Caséta® Wireless Pro 1000 W dimmer	PD-10NXD-
GRAFIK T™ CL® dimmer	GT-250M-GTJ-250M-
HomeWorks® QS adaptive dimmer	HQRD-6NA-
HomeWorks® QS 600 W dimmer	HQRD-6ND-
HomeWorks® QS 1000 W dimmer	HQRD-10ND-
RadioRA® 2 adaptive dimmer	RRD-6NA-
RadioRA® 2 1000 W dimmer	RRD-10ND
myRoom™ DIN power module	MQSE-4A1-D
HomeWorks® QS DIN power module	LQSE-4A1-D
HomeWorks® QS wallbox power module	HQRJ-WPM-6D-120
HomeWorks® wallbox power module	HWI-WPM-6D-120
GRAFIK Eye® QS control unit	QSGR-, QSGRJ-
GRAFIK Eye® 3000 control unit	GRX-3100-GRX-3500-
RPM-4U module (LCP, HomeWorks® QS, GRAFIK Systems™, Quantum®)	HW-RPM-4U-120 LP-RPM-4U-120
RPM-4A module (LCP, HomeWorks® QS, GRAFIK Systems™, Quantum®)	HW-RPM-4A-120, LP-RPM-4A-120
GP dimming panels	Various
Ariadni CL 250W dimmer	AYCL-253P-
Diva CL 250W dimmer	DVCL-253P-DCSCCL-253P-
Nova T CL 250W dimmer	NTCL-250-
Power supply LH1	Part No.
PowPak Dimming Modules	RMJ-ECO32-DV-B
PowPak Dimming Modules	FCJ/FCJS-ECO
Energi Savr Nodes	QSN-1ECO-S
GRAFIK Eye QS control unit	QSN-2ECO-S
Homeworks QS control unit	QSGRJ- _E (wireless)
GRAFIK Eye QS control unit	QSGR- _E
Homeworks QS control unit	QSGR- _E
Quantum Hub	QP2-__ 2C
Quantum Hub	QP2-__ 4C
Quantum Hub	QP2-__ 6C
Quantum Hub	QP2-__ 8C
Homeworks QS power module	LQSE-2ECO-D
myRoom Plus power module	

eldoLED DRIVER COMPATIBILITY

Power supply EA2	Family/Model #
Busch-Jaeger	2112U-101
Jung	240-10
Leviton Lighting Controls	IP710-DLX
Lightolier Controls	ZP600FAM120
Lutron Electronics	Nova T® - NTFTV
Lutron Electronics	Diva® - DVTV
Lutron Electronics	Nova® - NFTV
Merten	5729
Pass & Seymour	CD4FB-W
The Watt Stopper	DCLV1
Sensor Switch	nIO EZ
Synergy	ISD BC
Lutron Electronics	GrafixEye® GRX-TVI w GRX3503
Lutron Electronics	Energy Savr Node™ - QSN-4T16-S
Lutron Electronics	TVM2 Module
Crestron®	GLX-DIMFLV8
Crestron®	GLXP-DIMFLV8
Crestron®	GLPAC-DIMFLV4-*
Crestron®	GLPAC-DIMFLV8-*
Crestron®	GLPP-DIMFLVEX-PM
Crestron®	GLPP-1DIMFLV2EX-PM
Crestron®	GLPP-1DIMFLV3EX-PM
Crestron®	DIN-A08
Crestron®	DIN-4DIMFLV4
Crestron®	CLS-EXP-DIMFLV
Crestron®	CLCI-1DIMFLV2EX
ABB	SD/S 2.16.1

