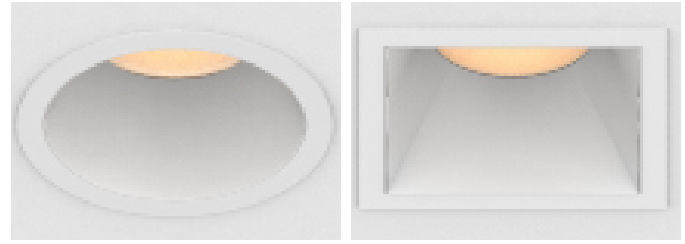


FRAXION® 3 SLIM

FIXED

Lots of light in an under-the-radar profile, with multiple design and installation options, ideal for corporate offices and retail settings.

| | |
|---------------|-------|
| PROJECT NAME: | TYPE: |
|---------------|-------|



ORDERING INFORMATION - DOWNLIGHT / HOUSING



Quick Ship Product. All rough in components ship within 10 days up to quantities of 100.



JA8-2019 INDICATED BY SHADING

| SHAPE | TRIM | RATING | FLANGE FINISH | BAFFLE FINISH | LUMEN PACKAGE | CCT | OPTIC | INSTALL TYPE | CEILING THICKNESS | POWER SUPPLY | OPTIONAL CONFIGURATION |
|-----------|---------------------------------|----------------------|--|--|---|--|---|--|---|---|--|
| F3R Round | MFS Microflange TFS Trimless | 1 Dry/Damp 2 Wet* | WH White BK Black PR Primer AU Cashmere Gold AG Satin Silver BB Burnt Bronze 00 Trimless* CF Custom Finish* | WH White BK Black PR Primer AU Cashmere Gold AG Satin Silver BB Burnt Bronze CF Custom Finish* | STATIC WHITE 80C12A 80+ CRI, Delivered Lumens - 795 80C16A 80+ CRI, Delivered Lumens - 1095 80C23A 80+ CRI, Delivered Lumens - 1506* 90C10A 90+ CRI, Delivered Lumens - 683 90C14A 90+ CRI, Delivered Lumens - 936 90C19A 90+ CRI, Delivered Lumens - 1291* 97C10A 97+ CRI, Delivered Lumens - 608 97C12A 97+ CRI, Delivered Lumens - 833 97C17A 97+ CRI, Delivered Lumens - 1151* WARM DIM 90W13A 90+ CRI, Delivered Lumens - 902 | 27 2700K 30 3000K 35 3500K 40 4000K WD 3200K - 1800K | 15 15° 22 22° 40 40° 60 60° 85 85°* | INTEGRAL DRIVER X IC Y NIC C IC, Airtight REMOTE DRIVER V IC, Remote W NIC, Remote D IC, Airtight, Remote | 1 0.50" - 1.00" T 0.50" - 1.00"* (Includes adjustable housing height bracket) | INTEGRAL RP1 120V 1% ELV / TRIAC or 120-277V, 1% 0-10V Analog LOG RN1 120V 1% ELV / TRIAC or 120-277V, 1% 0-10V Analog LIN TR2 120V Philips, 2% Leading/Trailing/Triac* REMOTE (120V) L23 Lutron, Hi-Lume 1% 2-wire REMOTE (120-277V) LH1 Lutron, Hi-Lume 1% Ecosystem EA2 eldoLED, SOLDrive 0.1% 0-10V, LOG LA2 eldoLED, SOLDrive 0.1% 0-10V, LIN ED1 eldoLED, SOLDrive 0.1% DALI, LOG LD1 eldoLED, SOLDrive 0.1% DALI, LIN | Leave blank for standard Soft Focus Lens 02 Honeycomb Louver w/ Diffusion Film* 03 Clear Glass Lens* 05 Frosted Glass Lens 08 Frosted Soft Focus Lens 14 Wide Distribution Lens* 26 Frosted Linear Spread Lens |



PART NUMBER NOTES

- Housing and trim ships as e.g., F3R TFS1-WHWH-90C10A2-3X1-RP1
- Remote driver ships with fixture as e.g., PSF3-RMT-90C-10A-1L23

FRAXION3SLIM FIXED

ACCESSORIES

ROUND ALTERNATE EFFECTS DEVICES

Dry / Damp location only

Wet location requires alternate baffle.

- HCL-F3R** Honeycomb Louver w/ Diffusion Lens*
*(Not available for Warm Dim or Wet locations)
- CGL-F3R** Clear Glass Lens*
*(Not available for Warm Dim)
- FGL-F3R** Frosted Glass Lens
- SFL-F3R** Soft Focus Lens
- FSFL-F3R** Frosted Soft Focus Lens
- WDL-F3R** Wide Distribution Lens*
*(For use with 60° optic only)
- FLSL-F3R** Frosted Linear Spread Lens

SQUARE ALTERNATE EFFECTS DEVICES

Dry / Damp location only

Wet location requires alternate baffle.

- HCL-F3S** Honeycomb Louver w/ Diffusion Lens*
*(Not available for Warm Dim or Wet locations)
- CGL-F3S** Clear Glass Lens*
*(Not available for Warm Dim)
- FGL-F3S** Frosted Glass Lens
- SFL-F3S** Soft Focus Lens
- FSFL-F3S** Frosted Soft Focus Lens
- WDL-F3S** Wide Distribution Lens*
*(For use with 60° optic only)
- FLSL-F3S** Frosted Linear Spread Lens

ALTERNATE BAFFLE ASSEMBLY (INCLUDES EFFECTS DEVICE)

| ASSEMBLY | SHAPE | TRIM | RATING | FLANGE FINISH | EFFECTS DEVICE |
|-----------------------------------|---|--|---|---|---|
| RBA | | | | 1 | |
| REPLACEMENT BAFFLE ASSEMBLY | F3R Round F3S Square | MFS Microflange TFS Trimless MFT Microflange Transitional Baffle TFT Trimless Transitional Baffle | 1 Dry / Damp 2 Wet* *(Requires suction cup to service or aim & focus) | WH White BK Black PR Primer AU Cashmere Gold AG Satin Silver BB Burnt Bronze CF Custom Finish* *(Consult Factory) | Leave blank for standard Soft Focus Lens HCL Honeycomb Louver w/ Diffusion Lens* *(Not available for Warm Dim or Wet locations) CGL Clear Glass Lens* *(Not available for Warm Dim) FGL Frosted Glass Lens FSFL Frosted Soft Focus Lens WDL Wide Distribution Lens* *(For use with 60° optic only) FLSL Frosted Linear Spread Lens |

REPLACEMENT OPTICS

Interchangeable optics accessible through fixture aperture.

- RO-50-15-2** 15° optic
- RO-50-22-2** 22° optic
- RO-50-40-2** 40° optic
- RO-50-60-2** 60° optic

REPLACEMENT SUCTION TOOL

One included with every six fixtures designated Wet location.

- F4-TOOL-SUCTION** Allows removal of Wet Location baffles

EMERGENCY LIGHTING - REMOTE MOUNT ONLY

During disruption of main power, emergency battery inverter provides temporary 120V or 277V to fixture.

- EMB-S-20/25-120/277-LEDX** 20/25 watt max capacity, 120 or 277 VAC 60Hz, Non-Dimmable
- EMB-S-100-120-LEDX** 100 watt max capacity, 120 VAC 60Hz, Dimmable
- EMB-S-100-277-LEDX** 100 watt max capacity, 277 VAC 60Hz, Dimmable
- EMB-S-250-120/277-LEDX** 250 watt max capacity, 120 or 277 VAC 60Hz, Dimmable

FRAXION3SLIM FIXED

PERFORMANCE - 3000K - SOFT FOCUS LENS

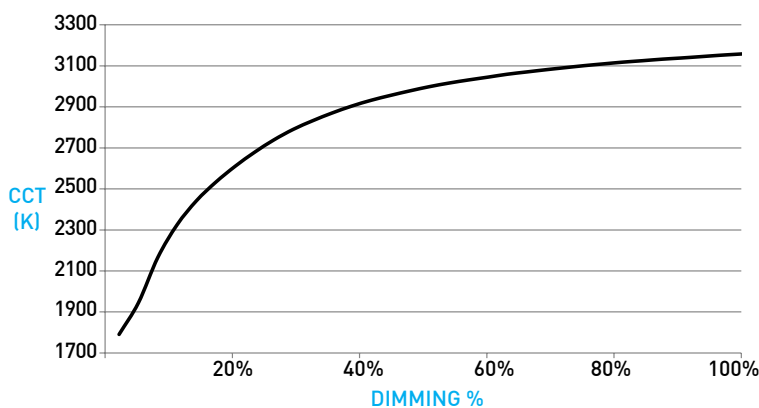
| LUMEN PACKAGE | WATTAGE | 15° OPTIC | | 22° OPTIC | | 40° OPTIC | | 60° OPTIC | | 85° BEAM | |
|---------------|---------|-----------|-----|-----------|-----|-----------|-----|-----------|-----|-----------|-----|
| | | DELIVERED | LPW | DELIVERED | LPW | DELIVERED | LPW | DELIVERED | LPW | DELIVERED | LPW |
| 80C12A | 10 | 872 | 86 | 729 | 72 | 795 | 79 | 784 | 78 | 623 | 62 |
| 80C16A | 14 | 1191 | 82 | 1003 | 71 | 1095 | 78 | 1079 | 77 | 857 | 61 |
| 80C23A | 21 | 1642 | 77 | 1381 | 65 | 1506 | 71 | 1486 | 70 | 1180 | 56 |
| 90C10A | 10 | 721 | 71 | 626 | 62 | 683 | 68 | 673 | 67 | 535 | 53 |
| 90C14A | 14 | 984 | 68 | 858 | 61 | 936 | 66 | 923 | 65 | 733 | 52 |
| 90C19A | 21 | 1357 | 63 | 1184 | 56 | 1291 | 61 | 1273 | 60 | 1011 | 48 |
| 97C10A | 10 | 657 | 65 | 557 | 55 | 608 | 60 | 599 | 59 | 476 | 47 |
| 97C12A | 14 | 897 | 62 | 763 | 54 | 833 | 59 | 821 | 58 | 652 | 46 |
| 97C17A | 21 | 1238 | 58 | 1055 | 50 | 1151 | 58 | 1135 | 54 | 901 | 42 |
| 90W13A | 16 | - | - | 726 | 45 | 902 | 50 | 857 | 53 | 757 | 47 |

| OUTPUT MULTIPLIER | | | |
|-------------------|---------|---------|---------|
| CCT | 80+ CRI | 90+ CRI | 97+ CRI |
| 2700K | 1.158 | 0.957 | 0.873 |
| 3000K | 1.211 | 1.000 | 0.912 |
| 3500K | 1.234 | 1.019 | 0.927 |
| 4000K | 1.249 | 1.030 | 0.940 |

| LIGHT LOSS FACTOR MULTIPLIER | |
|------------------------------|------|
| CGL | 1.05 |
| SFL | 1.00 |
| FGL | 0.90 |
| FSFL | 0.87 |
| FLSL | 0.83 |
| WDL | 0.78 |
| HCL | 0.65 |

WARM DIM PERFORMANCE

| DETAILED PERFORMANCE | Full on 100% | Dimmed to 80% | Dimmed to 70% | Dimmed to 50% | Dimmed to 20% | Dimmed to 10% | Dimmed to 2% |
|----------------------|--------------|---------------|---------------|---------------|---------------|---------------|--------------|
| CCT (K) | 3200 | 3150 | 3100 | 3000 | 2700 | 2200 | 1800 |
| Light Output (Lm) | 1300 | 1050 | 900 | 630 | 250 | 115 | 25 |
| Power (W) | 14 | 11 | 10 | 7 | 3 | 1.5 | 0.3 |
| Efficacy (LPW) | 92 | 93 | 90 | 90 | 83 | 76 | 74 |

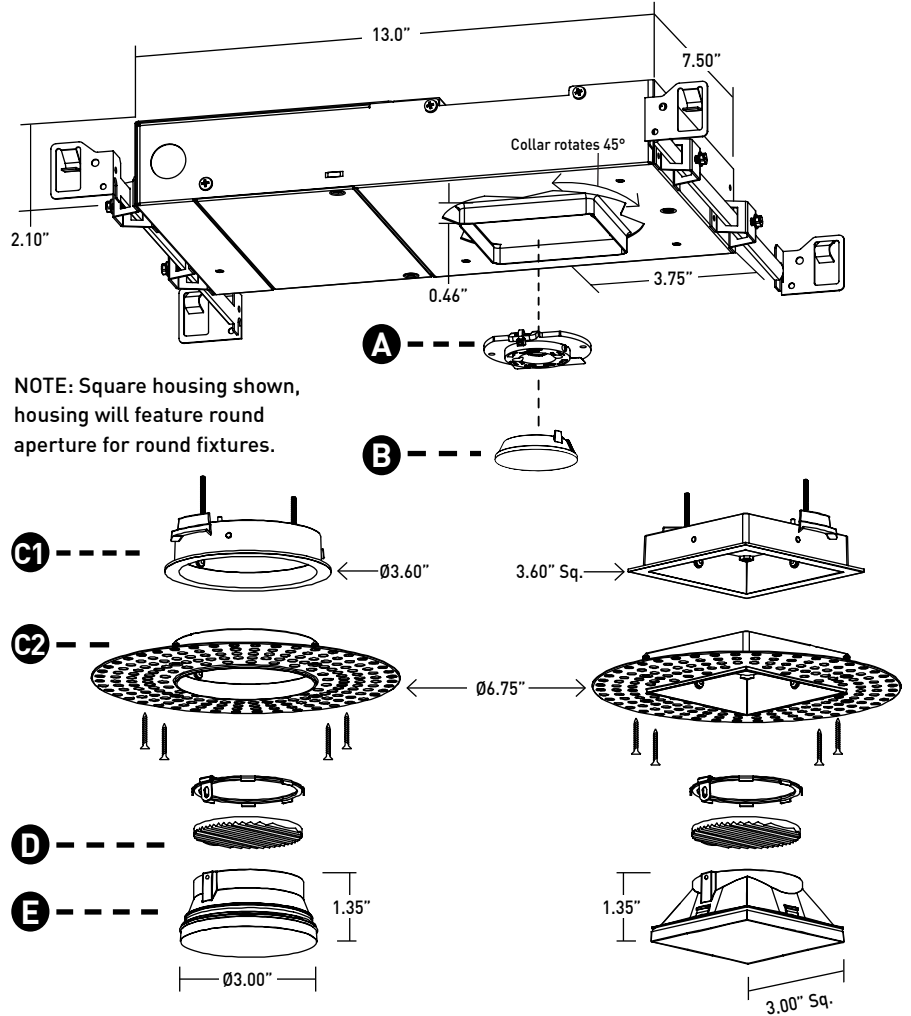


FRAXION3SLIM FIXED

DOWNLIGHT / HOUSING

- A LED**
Integral LED module design enables field service / replacement through housing aperture.
 - B OPTIC**
Proprietary field-changeable optic integrates Reflection, Refraction and TIR offering 15°, 22°, 40° & 60° beams.
 - C1 MICROFLANGE PROFILE**
Features 0.30" flange. Thickness measures 0.06". Installed after ceiling is complete. Requires 3.375" diameter cutout. Wet location features integral silicone gasket.
 - C2 TRIMLESS PROFILE**
Installs totally flush with the ceiling with no visible trim. Appliqué includes screws for mounting and has 0.06" (1.5mm) plaster stop. Not recommended for stucco applications.
 - D EFFECTS DEVICES / LENS RETAINER**
Soft focus lens included and sealed in Wet locations. Fixture is limited to 1 effects device. Suction tool provided for removal of baffle with wet location. Lens retainer allows effects devices to be changed in Dry /Damp locations.
 - E ROUND BAFFLE**
Die-cast removable baffle provides easy access to tilting mechanism and features 62° glare cutoff. Minimizes aperture glare and conceals view into housing; includes silicone gasket.
- SQUARE BAFFLE**
Die-cast baffle transitions from square aperture at ceiling plane to round aperture at light source and features 62° glare cutoff. Minimizes aperture glare and conceals view into housing; includes silicone gasket.

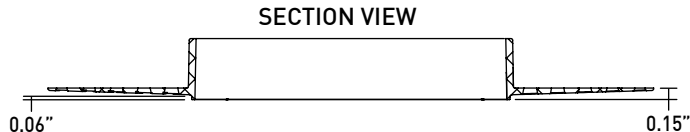
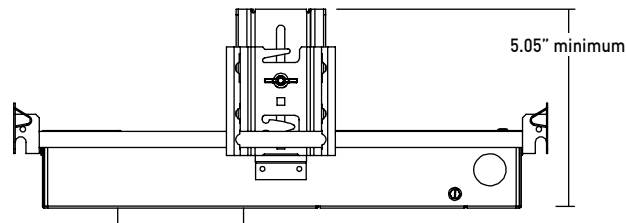
DIMENSIONS / DRAWINGS



FRAXION3SLIM FIXED

DOWNLIGHT / HOUSING

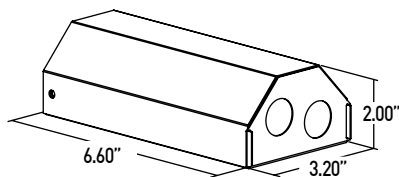
- F APPLIQUÉ DETAIL**
Appliqué for plaster floating directly to baffle.
- G ADJUSTABLE HANGER BAR HEIGHT ACCESSORY**
Provided with ceiling thickness "T" and recommended for installations in T-Grid and with furring channel. Hanger bars are installed to adjustable bracket. Allows housing to be raised and lowered; ceiling thickness remains 0.5" to 1.0" max.
- H IC HOUSING**
 - For IC ceilings.
 - Chicago Plenum, Airtight and Title 24 (JA8) listed.
 - No setback from polycell spray foam insulation having max R-Value of 60 on all sides and top of housing.
- I NIC HOUSING**
 - Minimum 0.50" setback from combustible and non-combustible materials on all sides and top of housing.
 - Minimum 3.00" setback from insulation material having max R-Value 30 on all sides and top of housing.
 - Minimum 6.00" setback from polycell spray foam insulation having max R-Value 60.
- J REMOTE POWER SUPPLY**
Provided with install Types "V", "W" and "D". Remote power supply provides additional driver options. Consult installation guide for maximum allowable secondary run lengths between PSF3-RMT and fixture. Must be installed in an accessible location.

F**G****H / I**

IC HOUSING FEATURES STRIP GASKETS

HOUSING NOTES

- Do not install in environments where ambient temperatures exceed 40°C (104°F).
- Power supply compartment and all splice connections may be serviced from room side.
- Consult factory for spacing requirements for any installations exceeding R-Value 60.
- Hanger bars fitted to short side of housing, extend from 14.0" to 24.0", but may be field cut to accommodate narrow stud spacing.
- Hanger bars and brackets add 4.00" to the overall dimension, but are exclusive of the setback requirements.
- Housings for round trims feature a round aperture housing collar, and for square trims, a square housing collar, accommodating ceiling thicknesses between 0.50" and 1.00".

J

FRAXION3SLIM FIXED

TECHNICAL

CONSTRUCTION

Downlight: Painted finishes are granulated powder coat.

Housing: Aluminum and 22 Gauge galvanized steel. Extruded aluminum housing panel to act as heat-sink.

Remote Power Supply: 22 Gauge galvanized steel.

Appliqué: Zinc alloy.

LED

Proprietary Citizen 2-step MacAdam ellipse LED module available in 80+, 90+ and 97+ CRI configurations in color temperatures of 2700K, 3000K, 3500K and 4000K. Average rated lamp life of 50,000 hours. LED and driver assemblies are field-replaceable.

WARM DIM LED

Proprietary 3-step MacAdam ellipse warm dim LED module available in 90+ CRI configuration. 3200K at full brightness, warming to 1800K at full dim. Average rated lamp life of 50,000 hours. LED and driver assemblies are field-replaceable.

POWER SUPPLY PERFORMANCE AND DIMMING INFORMATION

| Power Supply | RP1 | RN1 | TR2 | LH1 | L23 | EA2 | LA2 | ED1 | LD1 |
|--------------|--------|--------|--------|-------|-------|--------|--------|--------|--------|
| Minimum °C | -10 °C | -10 °C | -20 °C | 0 °C | 0 °C | -20 °C | -20 °C | -20 °C | -20 °C |
| Maximum °C | 40 °C | 40 °C | 40 °C | 40 °C | 40 °C | 40 °C | 40 °C | 40 °C | 40 °C |
| Dimming % | 1.0% | 1.0% | 2.0% | 1.0% | 1.0% | 0.1% | 0.1% | 0.1% | 0.1% |

Note: For TR2, L23, LH1, LP1, EA2 and LA2 drivers consult chart on page 7 to confirm appropriate dimming curve for compatibility with selected control.

LISTING

cTUVus listed to UL1598 standard for Dry / Damp and Wet locations.

Chicago Plenum, Airtight and Title 24 JA8-2019 Listed.

U.S. Patent: 10,317,066

WARRANTY

Manufacturer's 1-year warranty guarantees product(s) listed to be free from defects in material and workmanship under normal use and service. 5-year warranty on LED and power supply to operate with 70% of the original flux and remain within a range of 3 duv. 10-year Lutron Advantage limited warranty available on Lutron equipped systems. Warranty period begins from the date of shipment by Seller and conditional upon the use of manufacturer-supplied power supply. [Consult website for full warranty terms and conditions.](#)

CHANGE LOG

- 03/09/2020: ADDED TRIMLESS TO FLANGE FINISH OPTIONS
- 02/05/2020: REMOVED AN4, CA2, CE2, AND LN2 DRIVERS AND ADDED RN1 AND RP1 DRIVERS
- 10/08/2019: NEW CONSOLIDATED SPEC SHEET WITH SINGLE NOMENCLATURE FOR SPECIFICATION
- 10/08/2019: ADDITIONAL PHOTOMETRIC INFORMATION NOW AVAILABLE ON SPEC SHEET

FRAXION3SLIM FIXED

DIMMING COMPATIBILITY

PHILIPS DRIVER COMPATIBILITY

| Power supply TR2 Manufacturer | Family/Model # |
|-------------------------------|----------------|
| Lutron Electronics | DV-600P |
| Lutron Electronics | DVELV-303P |
| Lutron Electronics | NTELV-600 |
| Lutron Electronics | MAELV-600 |
| Lutron Electronics | SELV-300P |
| Lutron Electronics | DVLV-600P |
| Lutron Electronics | NFTU-5A |
| Lutron Electronics | CTCL-153P |
| Lutron Electronics | GL-600H |
| Lutron Electronics | S-600P |
| Lutron Electronics | PHPM |

LUTRON DRIVER COMPATIBILITY

| Power supply L23 Lutron Product Family | Part No. |
|---|-------------------------------|
| Maestro WirelessR 600 W dimmer | MRF2-6ND-120- |
| Maestro WirelessR 1000 W dimmer | MRF2-10ND-120- |
| Caséta® Wireless Pro 1000 W dimmer | PD-10NXD- |
| GRAFIK T™ CL® dimmer | GT-250M-GTJ-250M- |
| HomeWorks® QS adaptive dimmer | HQRD-6NA- |
| HomeWorks® QS 600 W dimmer | HQRD-6ND- |
| HomeWorks® QS 1000 W dimmer | HQRD-10ND- |
| RadioRA® 2 adaptive dimmer | RRD-6NA- |
| RadioRA® 2 1000 W dimmer | RRD-10ND |
| myRoom™ DIN power module | MQSE-4A1-D |
| HomeWorks® QS DIN power module | LQSE-4A1-D |
| HomeWorks® QS wallbox power module | HQRJ-WPM-6D-120 |
| HomeWorks® wallbox power module | HWI-WPM-6D-120 |
| GRAFIK Eye® QS control unit | QSGR-, QSGRJ- |
| GRAFIK Eye® 3000 control unit | GRX-3100-GRX-3500- |
| RPM-4U module (LCP, HomeWorks® QS, GRAFIK Systems™, Quantum®) | HW-RPM-4U-120 LP-RPM-4U-120 |
| RPM-4A module (LCP, HomeWorks® QS, GRAFIK Systems™, Quantum®) | HW-RPM-4A-120, LP-RPM-4A-120 |
| GP dimming panels | Various |
| Ariadni CL 250W dimmer | AYCL-253P- |
| Diva CL 250W dimmer | DVCL-253P-DCSCCL-253P- |
| Nova T CL 250W dimmer | NTCL-250- |
| Power supply LH1 / LP1 Lutron Product Family | Part No. |
| PowPak Dimming Modules | RMJ-ECO32-DV-B |
| PowPak Dimming Modules | FCJ/FCJS-ECO |
| Energi Savr Nodes | QSN-1ECO-S |
| GRAFIK Eye QS control unit Homeworks QS control unit | QSN-2ECO-S |
| GRAFIK Eye QS control unit Homeworks QS control unit | QSGRJ- _E (wireless) QSGR- _E |
| Quantum Hub | QP2-__ 2C |
| Quantum Hub | QP2-__ 4C |
| Quantum Hub | QP2-__ 6C |
| Quantum Hub | QP2-__ 8C |
| Homeworks QS power module myRoom Plus power module | LQSE-2ECO-D |

eldoLED DRIVER COMPATIBILITY

| Power supply EA2 / LA2 Dimmer / Switch Control Manufacturer | Family/Model # |
|---|--------------------------------|
| Busch-Jaeger | 2112U-101 |
| Jung | 240-10 |
| Leviton Lighting Controls | IP710-DLX |
| Lightolier Controls | ZP600FAM120 |
| Lutron Electronics | Nova T® - NTFTV |
| Lutron Electronics | Divia® - DDTV |
| Lutron Electronics | Nova® - NFTV |
| Merten | 5729 |
| Pass & Seymour | CD4FB-W |
| The Watt Stopper | DCLV1 |
| Sensor Switch | nI0 EZ |
| Synergy | ISD BC |
| Power supply EA2 / LA2 Lighting Control System Manufacturer | Family/Model # |
| Lutron Electronics | GrafixEye® GRX-TVI w GRX3503 |
| Lutron Electronics | Energy Savr Node™ - QSN-4T16-S |
| Lutron Electronics | TVM2 Module |
| Crestron® | GLX-DIMFLV8 |
| Crestron® | GLXP-DIMFLV8 |
| Crestron® | GLPAC-DIMFLV4-* |
| Crestron® | GLPAC-DIMFLV8-* |
| Crestron® | GLPP-DIMFLVEX-PM |
| Crestron® | GLPP-1DIMFLV2EX-PM |
| Crestron® | GLPP-1DIMFLV3EX-PM |
| Crestron® | DIN-A08 |
| Crestron® | DIN-4DIMFLV4 |
| Crestron® | CLS-EXP-DIMFLV |
| Crestron® | CLCI-1DIMFLV2EX |
| ABB | SD/S 2.16.1 |



FRAXION3SLIM FIXED

DRIVE CURRENT SPECIFICS

| | 80C | | | 90C | | | 97C | | | 90W |
|------------|------|------|------|------|------|------|------|------|------|----------|
| | 12A | 16A | 23A | 10A | 14A | 19A | 10A | 12A | 17A | 13A |
| Minimum Vf | 30.5 | 30.5 | 30.5 | 30.5 | 30.5 | 30.5 | 30.5 | 30.5 | 30.5 | 30.5 |
| Maximum Vf | 39 | 39 | 39 | 39 | 39 | 39 | 39 | 39 | 39 | 39 |
| Current mA | 250 | 350 | 500 | 250 | 350 | 500 | 250 | 350 | 500 | 14 - 350 |
| Wattage W | 8.2 | 11.8 | 17.4 | 8.2 | 11.8 | 17.4 | 8.2 | 11.8 | 17.4 | 14 |