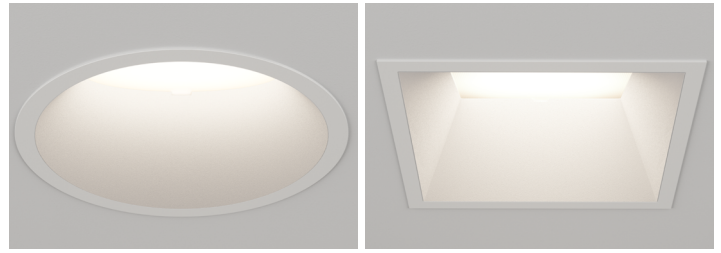


FRAXION® 4 HIGH FLUX LVS WALLWASH

Very versatile, and highly configurable, these 4-inch downlights are the widest aperture we offer, ideal for overall illumination in residential and commercial spaces.

PROJECT NAME:	TYPE:
---------------	-------



ORDERING INFORMATION - DOWNLIGHT / HOUSING

SHAPE	TRIM	RATING	FLANGE FINISH	BAFFLE FINISH	LUMEN PACKAGE	CCT	OPTIC	INSTALL TYPE	CEILING THICKNESS	DRIVER	
F4R	Round	FWW Standard Flange MWW Microflange TWW Trimless	1 Dry/Damp 2 Wet	WH White BK Black PR Primer AU Cashmere Gold AG Satin Silver BB Burnt Bronze 00 Trimless* CF Custom Finish*	WH White BK Black PR Primer AU Cashmere Gold AG Satin Silver BB Burnt Bronze CF Custom Finish*	HIGH FLUX STATIC WHITE 4.38" TALL HOUSING 80C58B 80+ CRI, Delivered Lumens - 2654 90C50B 90+ CRI, Delivered Lumens - 2265	22 2200K* <small>* (Only available with 90+ CRI)</small> 27 2700K 30 3000K 35 3500K 40 4000K	WW Wallwash Optic	W REMOTE DRIVER NIC, Remote	1 0.50" - 1.00" T TG 0.50" - 1.00"* <small>* (Includes adjustable housing height bracket)</small>	LVS Low Voltage System
F4S	Square	FWW Standard Flange MWW Microflange TWW Trimless			HIGH FLUX WARM DIM 4.38" TALL HOUSING 90W19E 90+ CRI, Delivered Lumens - 1085 Incandescent Profile 90W31F 90+ CRI, Delivered Lumens - 1757 Incandescent Profile *SEE PAGE 4 FOR DETAILED WARM DIM PROFILE COMPARISON.	WL 2700K - 1800K					
					*ALL DELIVERED LUMEN OUTPUTS REFLECT 3000K						



PART NUMBER NOTES




- Housing and trim ship as e.g., F4RMWW1-WHWH-90C50B2-5W1-LVS

FRAXION4 HIGH FLUX LVS WALLWASH

APPLICATION NOTES

- Customers must ensure voltage range of the proposed POE node encompasses the fixtures complete Vf range, both maximum and minimum, and can be set to the required mA drive current. If assistance is required contact LLC rep or factory.
- Customers are responsible for ensuring POE node drive current is set to correct values shown below.
- Lucifer Lighting will not supply a fixture with a POE node or power supply inside the fixture. This allows for easier site install with nodes of 2 or more outputs.
- Consult node manufacturer for maximum remote wiring distances.
- Housing and Fixture feature 18 Gauge wiring.
- Wiring connections are made in the splicing compartment using customer supplied connectors, ex. wire nuts, push-in connectors, or terminal blocks.
- Confirm node compatibility with factory if it is not listed.

NODE COMPATIBILITY

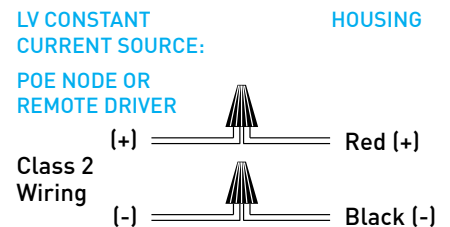
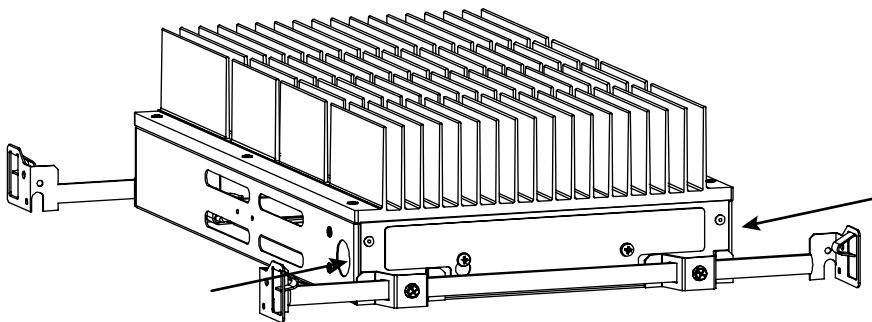
Manufacturer	Model Number
 Igor® Enabling Smart Buildings™	NP50-60-C-F-5
 molex	180996-1001* 180996-1002* 180996-2001* 180996-2002*
 PLATFORMATICS	1 Channel Node, POE-LN2-1U-E 2 Channel Node, POE-LN2-2U-E 4 Channel Node, POE-LN2-4U-E

*SEE APPLICATION NOTE 1

DRIVE CURRENT SPECIFICS

	80C	90C	90W	
	58B	50B	19E	31F
Minimum Vf	30.5	30.5	30.5	30.5
Maximum Vf	39	39	39	39
Current mA	1250	1250	600	950
Wattage W	43.6	43.6	20.1	32.4

WIRING DIAGRAM AND HOUSING ENTRY/ EXIT POINTS



FRAXION4 HIGH FLUX LVS WALLWASH

ACCESSORIES

REPLACEMENT BAFFLE ASSEMBLY (INCLUDES EFFECTS DEVICE)

ASSEMBLY	SHAPE	TRIM	RATING	FLANGE FINISH
RBA				
REPLACEMENT BAFFLE ASSEMBLY	F4R Round	FWW Standard Flange MWW Microflange TWW Trimless	1 Dry / Damp 2 Wet	WH White BK Black PR Primer AU Cashmere Gold AG Satin Silver BB Burnt Bronze CF Custom Finish* *(Consult Factory)
	F4S Square	FWW Standard Flange MWW Microflange TWW Trimless		

1

REPLACEMENT OPTICS

Interchangeable optics accessible through fixture aperture.

- RO-70-WW-2** WW optic

TG BRACKET ASSEMBLY

Supplied with ceiling thickness "T" and recommended for installations in T-Grid and furring channel up to 1.5" tall. Available for ceiling thicknesses from 0.50" - 1.00".

- DHA-TG-KIT**

HANGER BAR EXTENDER KIT

Extends hanger bars from 24.0" to 46.0" maximum.

- FRX-HBE-46** Extender, Hanger Bar

FRAXION4 HIGH FLUX LVS WALLWASH

PERFORMANCE - 3000K - WALLWASH LENS

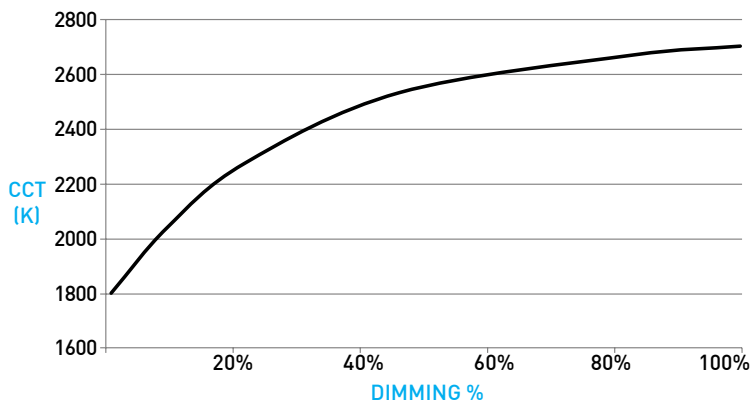
LUMEN PACKAGE	WATTAGE	WW OPTIC	
		DELIVERED	LPW
80C58B	53	2654	50
90C50B	53	2265	43
90W19E	23	769	33
90W31F	27	1247	46

OUTPUT MULTIPLIER	
CCT	CCT SCALE
2700K	0.957
3000K	1.000
3500K	1.019
4000K	1.030

WARM DIM PERFORMANCE

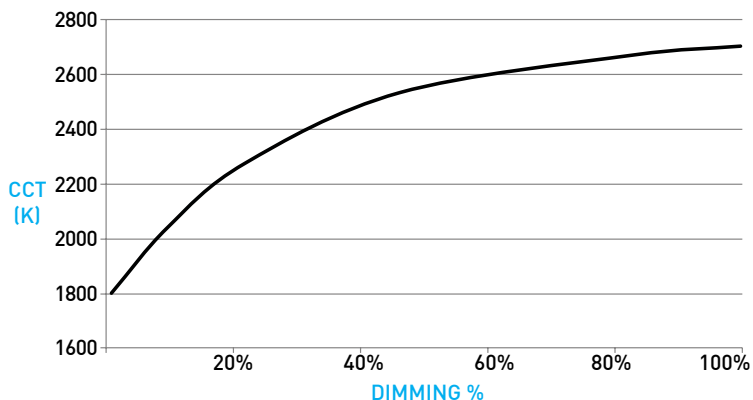
WARM DIM TO MIRROR INCANDESCENT DIMMING PROFILE

90W19E 2700K - 1800K	Full on 100%	Dimmed to 80%	Dimmed to 70%	Dimmed to 50%	Dimmed to 20%	Dimmed to 10%	Dimmed to 2%
CCT (K)	2700	2650	2620	2520	2180	1950	1800
Light Output (Lm)	769	615	538	385	154	77	15
Power (W)	23	18	16	12	5	2	.5
Efficacy (LPW)	33	33	33	33	33	33	33



WARM DIM TO MIRROR INCANDESCENT DIMMING PROFILE

90W31F 2700K - 1800K	Full on 100%	Dimmed to 80%	Dimmed to 70%	Dimmed to 50%	Dimmed to 20%	Dimmed to 10%	Dimmed to 2%
CCT (K)	2700	2650	2620	2520	2180	1950	1800
Light Output (Lm)	1247	998	873	624	249	125	25
Power (W)	27	22	19	14	5	2	.5
Efficacy (LPW)	46	46	46	46	46	46	46

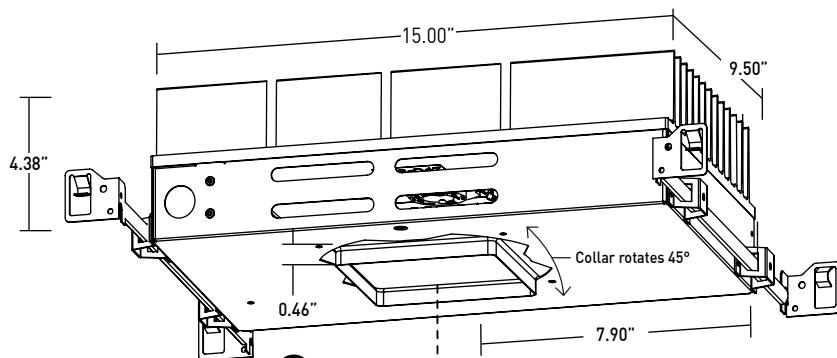


FRAXION4 HIGH FLUX LVS WALLWASH

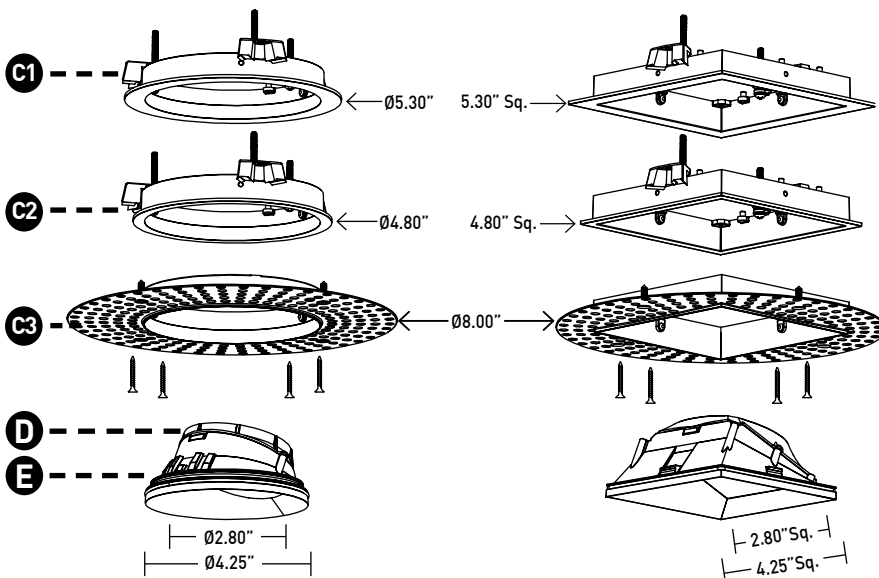
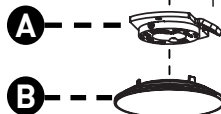
DOWNLIGHT / HOUSING

- A LED**
Integral LED module design enables field service / replacement through housing aperture.
- B OPTIC**
Proprietary wallwash optic integrates Reflection, Refraction and TIR principles.
- C1 STANDARD FLANGE PROFILE**
Installed after ceiling is complete. Requires 4.625" diameter cutout. Provides 0.86" total contractor (goof) allowance with 0.50" flange. Thickness measures 0.06". Wet location features integral silicone gasket.
- C2 MICROFLANGE PROFILE**
Installed after ceiling is complete. Requires 4.625" diameter cutout. Provides 0.42" total contractor (goof) allowance with 0.28" flange. Thickness measures 0.06". Wet location features integral silicone gasket.
- C3 TRIMLESS PROFILE**
Installs totally flush with the ceiling with no visible trim. Appliqué includes screws for mounting and has 0.06" plaster stop. Not recommended for stucco applications.
- D EFFECTS DEVICES**
Asymmetrical spread lens, included and sealed in place, combined with angled optic and wide aperture enhance uniformity.
- E ROUND/SQUARE BAFFLE**
Die-cast removable baffle minimizes aperture glare and conceals view into housing; includes silicone gasket.

DIMENSIONS / DRAWINGS



NOTE: Square housing shown, housing will feature round aperture for round fixtures.

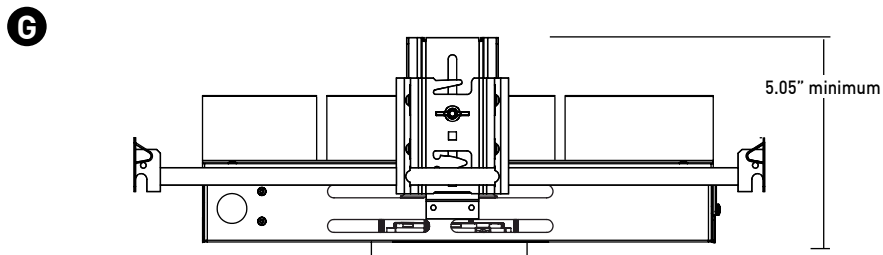
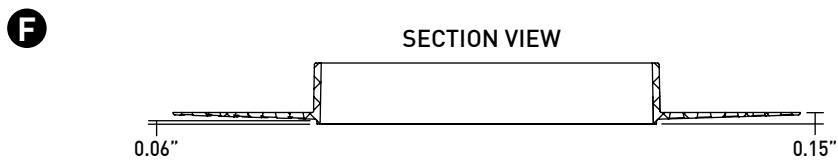


FRAXION4 HIGH FLUX LVS WALLWASH

DOWNLIGHT / HOUSING

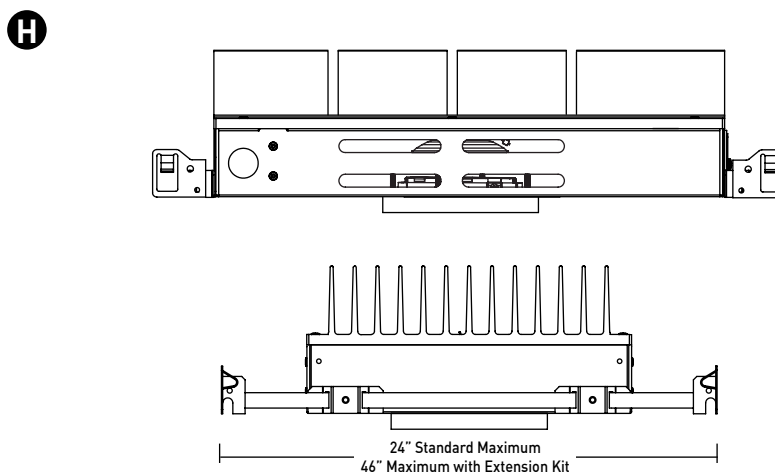
- F TRIMLESS APPLIQUÉ DETAIL**
Integrated appliqué for plaster floating directly to baffle.
- G TG BRACKET ASSEMBLY**
Adjustable height bracket assembly provided with ceiling thickness "T" and recommended for installations in T-Grid and with furring channel. Hanger bars are installed to adjustable bracket. Allows housing to be raised and lowered; ceiling thickness remains 0.5" to 1.0" max.
- H NIC HOUSING**
 - Minimum 0.50" setback from combustible and non-combustible materials on all sides and top of housing.
 - Minimum 3.00" setback from insulation material having max R-Value 30 on all sides and top of housing.
 - Minimum 6.00" setback from polycell spray foam insulation having max R-Value 60.

DIMENSIONS / DRAWINGS



HOUSING NOTES

- 90W19E: Do not install in environments where ambient temperatures exceed 40°C (104°F).
- 80C58B, 90C50B, and 90W31F: Do not install in environments where ambient temperatures exceed 35°C (95°F).
- All splice connections may be serviced from room side.
- Consult factory for spacing requirements for any installations exceeding R-Value 60.
- Hanger bars fitted to short side of housing; extend from 14.0" to 24.0", but may be field cut to accommodate narrow stud spacing. Can be extended up to 46" maximum with FRX-HBE-46 kit.
- Hanger bars and brackets add 4.00" to the overall dimension, but are excluded from the setback requirements.
- Housings for round trims feature a round aperture housing collar, and for square trims, a square housing collar, accommodating ceiling thicknesses between 0.50" and 1.00".



FRAZION4 HIGH FLUX LVS WALLWASH

TECHNICAL

CONSTRUCTION

Downlight: Painted finishes are granulated powder coat.

Housing: Aluminum and 22 Gauge galvanized steel. Extruded aluminum housing panel to act as heat-sink.

Appliqué: Zinc Alloy

STATIC WHITE LED

2-step MacAdam ellipse LED module available in 80+ and 90+ CRI configurations in color temperatures of 2700K, 3000K, 3500K and 4000K. Average rated lamp life of 50,000 hours. LED assemblies are field-replaceable.

WARM DIM LED

3-step MacAdam ellipse warm dim LED module available in 90+ CRI configuration. 2700K at full brightness, warming to 1800K at full dim. Average rated lamp life of 50,000 hours. LED assemblies are field-replaceable.

SPACING

Recommended fixture spacing is 36" on center with 36" setback from wall plane.

LISTING

cTUVus listed to UL2108 standard for Dry / Damp and Wet locations.

Chicago Plenum and Airtight Listed.

U.S. Patent: 10,317,066

WARRANTY

Manufacturer's 1-year warranty guarantees product(s) listed to be free from defects in material and workmanship under normal use and service. 5-year warranty on LED to operate with 70% of the original flux and remain within a range of 3 duv. Warranty period begins from the date of shipment by Seller. [Consult website for full warranty terms and conditions.](#)