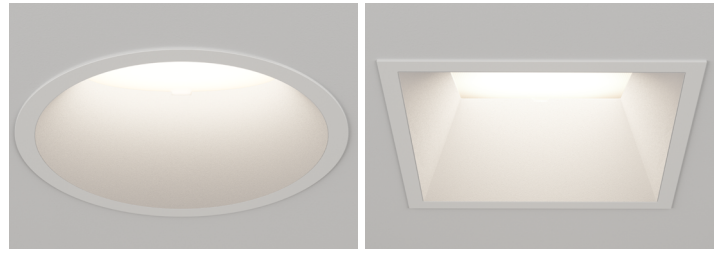


FRAXION® 4 SLIM

WALLWASH

Very versatile, highly configurable, and featuring extremely shallow housings, these 4-inch downlights are the widest aperture we offer, ideal for overall illumination in residential and commercial spaces.

| | |
|---------------|-------|
| PROJECT NAME: | TYPE: |
|---------------|-------|



ORDERING INFORMATION - DOWNLIGHT / HOUSING



JA8-2019 INDICATED BY SHADING

| SHAPE | TRIM | RATING | FLANGE FINISH | BAFFLE FINISH | LUMEN PACKAGE | CCT | OPTIC | INSTALL TYPE | CEILING THICKNESS | DRIVER |
|-----------|--|---------------------|--|--|--|--|--------------------------|--|---|---|
| F4R Round | FWW Standard Flange MWW Microflange TWW Trimless | 1 Dry/Damp 2 Wet | WH White BK Black PR Primer AU Cashmere Gold AG Satin Silver BB Burnt Bronze 00 Trimless* CF Custom Finish* | WH White BK Black PR Primer AU Cashmere Gold AG Satin Silver BB Burnt Bronze CF Custom Finish* | LOW FLUX STATIC WHITE 80C12A 80+ CRI, Delivered Lumens - 599 80C16A 80+ CRI, Delivered Lumens - 819 80C23A 80+ CRI, Delivered Lumens - 1129 90C10A 90+ CRI, Delivered Lumens - 495 90C14A 90+ CRI, Delivered Lumens - 677 90C19A 90+ CRI, Delivered Lumens - 933 97C10A 97+ CRI, Delivered Lumens - 452 97C12A 97+ CRI, Delivered Lumens - 617 97C17A 97+ CRI, Delivered Lumens - 851 HIGH FLUX STATIC WHITE 80C30A 80+ CRI, Delivered Lumens - 1724* 80C36A 80+ CRI, Delivered Lumens - 2028* 80C58B 80+ CRI, Delivered Lumens - 3654* 90C26A 90+ CRI, Delivered Lumens - 1424* 90C30A 90+ CRI, Delivered Lumens - 1677* 90C50B 90+ CRI, Delivered Lumens - 2265* 97C23A 97+ CRI, Delivered Lumens - 1298* 97C27A 97+ CRI, Delivered Lumens - 1529* WARM DIM 90W11A 90+ CRI, Delivered Lumens - 625 90W13A 90+ CRI, Delivered Lumens - 658 *SEE PAGE 3 FOR DETAILED WARM DIM PROFILE COMPARISON. TUNABLE WHITE 90T10B 90+ CRI, Delivered Lumens - 590 90T14B 90+ CRI, Delivered Lumens - 807 90T20B 90+ CRI, Delivered Lumens - 1059* *ALL DELIVERED LUMEN OUTPUTS AND T24 COMPLIANCE REFLECT 3000K. REFERENCE PAGE 3 FOR ADDITIONAL T24 COMPLIANT CONFIGURATIONS. | 22 2200K* 27 2700K 30 3000K 35 3500K 40 4000K 27 2700K 30 3000K 35 3500K* 40 4000K WL 2700K - 1800K WD 3200K - 1800K TW 5000K - 2700K | WW Wallwash Optic | INTEGRAL DRIVER X IC Y NIC C IC, Airtight* * (Chicago Plenum, Airtight & Title 24 compliant housing) REMOTE DRIVER V IC, Remote W NIC, Remote D IC, Airtight, Remote* * (Chicago Plenum, Airtight & Title 24 compliant housing) | 1 0.50" - 1.00" T 0.50" - 1.00"* * (Includes adjustable housing height bracket) | DOMESTIC (120V) TR2 Philips, 2% Leading/Trailing/Triac* * (Not available for 80C12A, 90C10A, and 97C10A unless 10° degree optic is specified. Not available for 80C30A, 80C36A, 80C58B, 90C26A, 90C30A, 90C50B, 97C23A, and 97C27A) L23 Lutron, Hi-Lume 1% 2-Wire* * (Not available for 80C58B or 90C50B) UNIVERSAL (120-277V) LH1 Lutron, Hi-Lume 1% Ecosystem* * (Not available for 80C58B or 90C50B) AN4 Philips Titanium 1% 0-10V, LOG* * (Not available for 80C58B or 90C50B) LN2 Philips Titanium 1% 0-10V, LIN* * (Not available for 80C58B or 90C50B) EA2 eldoLED, SOLOdrive 0.1% 0-10V, LOG LA2 eldoLED, SOLOdrive 0.1% 0-10V, LIN ED1 eldoLED, SOLOdrive 0.1% DALI, LOG LD1 eldoLED, SOLOdrive 0.1% DALI, LIN TUNABLE WHITE POWER SUPPLIES (120-277V) DD1 eldoLED, DUALdrive 0.1% DALI, LOG DG1 eldoLED, DUALdrive 0.1% 0-10V, LOG DL1 eldoLED, DUALdrive 0.1% 0-10V, LIN |



PART NUMBER NOTES

- Housing and trim ship as e.g., F4RMWW1-WHWH-90C14A2-5X1-AN4
- Remote driver ships with fixture as e.g., PSF4-RMT-90C-14A-1L23

FRAXION4SLIM WALLWASH

ACCESSORIES

REPLACEMENT BAFFLE ASSEMBLY (INCLUDES EFFECTS DEVICE)

| ASSEMBLY | SHAPE | TRIM | RATING | FLANGE FINISH |
|-----------------------------------|------------|--|--------------------------|--|
| RBA | | | | |
| REPLACEMENT BAFFLE ASSEMBLY | F4R Round | FWW Standard Flange MWW Microflange TWW Trimless | 1 Dry / Damp 2 Wet | WH White BK Black PR Primer AU Cashmere Gold AG Satin Silver BB Burnt Bronze CF Custom Finish* *(Consult Factory) |
| | F4S Square | FWW Standard Flange MWW Microflange TWW Trimless | | |

1

LOW FLUX AND WARM DIM REPLACEMENT OPTICS

Interchangeable optics accessible through fixture aperture.

- RO-70-WW-1** WW optic

HIGH FLUX AND TUNABLE WHITE REPLACEMENT OPTICS

Interchangeable optics accessible through fixture aperture.

- RO-70-WW-2** WW optic

T-GRID ACCESSORY KIT

Supplied with ceiling thickness "T" and recommended for installations in T-Grid and furring channel up to 1.5" tall. Available for ceiling thicknesses from 0.50" - 1.00".

- DHA-TG-KIT**

HANGER BAR EXTENDER KIT

Extends hanger bars from 24.0" to 46.0" maximum.

- FRX-HBE-46** Extender, Hanger Bar

EMERGENCY LIGHTING - REMOTE MOUNT ONLY

During disruption of main power, emergency battery inverter provides temporary 120V or 277V to fixture.

- EMB-S-20/25-120/277-LEDX** 20/25 watt max capacity, 120 or 277 VAC 60Hz, Non-Dimmable
- EMB-S-100-120-LEDX** 100 watt max capacity, 120 VAC 60Hz, Dimmable
- EMB-S-100-277-LEDX** 100 watt max capacity, 277 VAC 60Hz, Dimmable
- EMB-S-250-120/277-LEDX** 250 watt max capacity, 120 or 277 VAC 60Hz, Dimmable

FRAXION4SLIM WALLWASH

PERFORMANCE - 3000K - WALLWASH LENS

| LUMEN PACKAGE | WATTAGE | WW OPTIC | |
|---------------|---------|-----------|-----|
| | | DELIVERED | LPW |
| 80C12A | 10 | 599 | 59 |
| 80C16A | 14 | 819 | 57 |
| 80C23A | 21 | 1129 | 53 |
| 80C30A | 30 | 1724 | 57 |
| 80C36A | 35 | 2028 | 58 |
| 80C58B | 53 | 2654 | 50 |
| 90C10A | 10 | 495 | 49 |
| 90C14A | 14 | 677 | 47 |
| 90C19A | 21 | 933 | 44 |
| 90C26A | 30 | 1424 | 47 |
| 90C30A | 35 | 1677 | 48 |
| 90C50B | 53 | 2265 | 43 |
| 97C10A | 10 | 452 | 45 |
| 97C12A | 14 | 617 | 43 |
| 97C17A | 21 | 851 | 40 |
| 97C23A | 30 | 1298 | 43 |
| 97C27A | 35 | 1529 | 44 |
| 90W11A | 14 | 625 | 45 |
| 90W13A | 14 | 658 | 47 |
| 90T10B | 14 | 590 | 42 |
| 90T14B | 22 | 807 | 36 |
| 90T20B | 31 | 1059 | 34 |

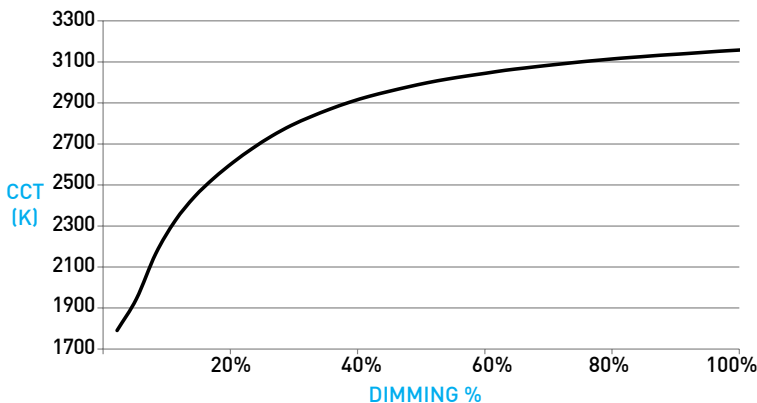
| OUTPUT MULTIPLIER | |
|--|-----------|
| CCT | CCT SCALE |
| 2200K (Consult factory for JA8 details) | 0.800 |
| 2700K | 0.957 |
| 3000K | 1.000 |
| 3500K | 1.019 |
| 4000K | 1.030 |

TRIPLE 24 JA8-2019 INDICATED BY SHADING

WARM DIM PERFORMANCE

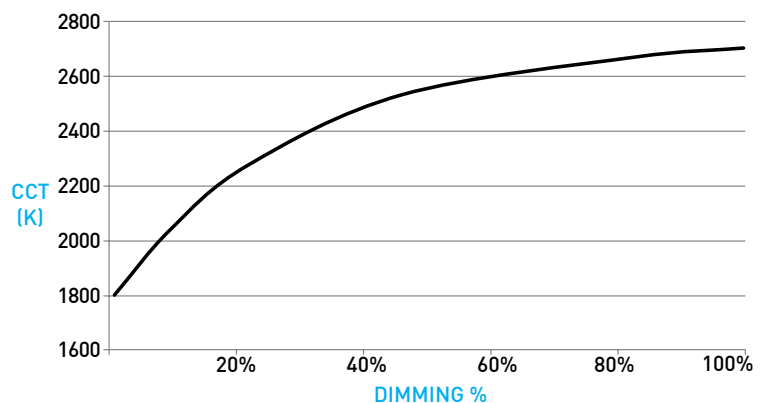
WARM DIM TO MIRROR HALOGEN DIMMING PROFILE

| 90W13A 3200K - 1800K | Full on 100% | Dimmed to 80% | Dimmed to 70% | Dimmed to 50% | Dimmed to 20% | Dimmed to 10% | Dimmed to 2% |
|-------------------------|-----------------|------------------|------------------|------------------|------------------|------------------|-----------------|
| CCT (K) | 3200 | 3150 | 3100 | 3000 | 2700 | 2200 | 1800 |
| Light Output (Lm) | 658 | 526 | 461 | 329 | 132 | 65 | 13 |
| Power (W) | 14 | 11 | 10 | 7 | 3 | 1.5 | 0.3 |
| Efficacy (LPW) | 47 | 47 | 47 | 47 | 47 | 47 | 47 |



WARM DIM TO MIRROR INCANDESCENT DIMMING PROFILE

| 90W11A 2700K - 1800K | Full on 100% | Dimmed to 80% | Dimmed to 70% | Dimmed to 50% | Dimmed to 20% | Dimmed to 10% | Dimmed to 2% |
|-------------------------|-----------------|------------------|------------------|------------------|------------------|------------------|-----------------|
| CCT (K) | 2700 | 2650 | 2620 | 2520 | 2180 | 1950 | 1800 |
| Light Output (Lm) | 625 | 500 | 437 | 312 | 125 | 62 | 12 |
| Power (W) | 14 | 11 | 10 | 7 | 3 | 1.5 | 0.5 |
| Efficacy (LPW) | 45 | 45 | 45 | 45 | 45 | 45 | 45 |



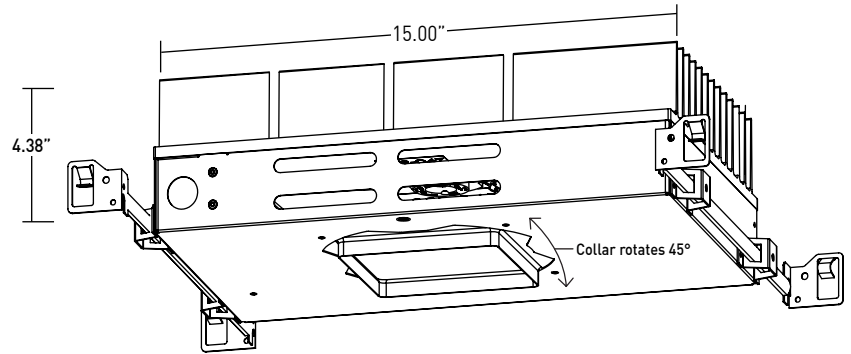
FRAXION4SLIM WALLWASH

DOWNLIGHT / HOUSING

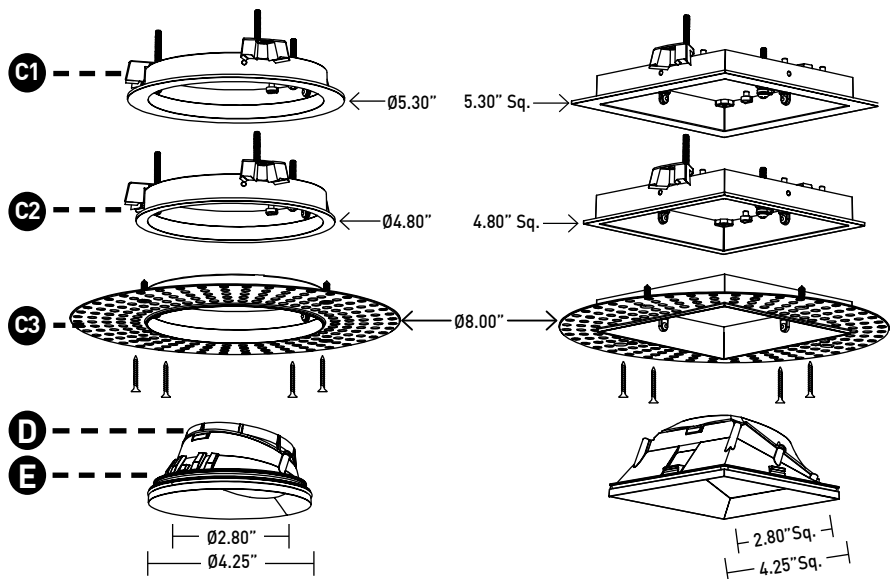
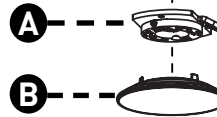
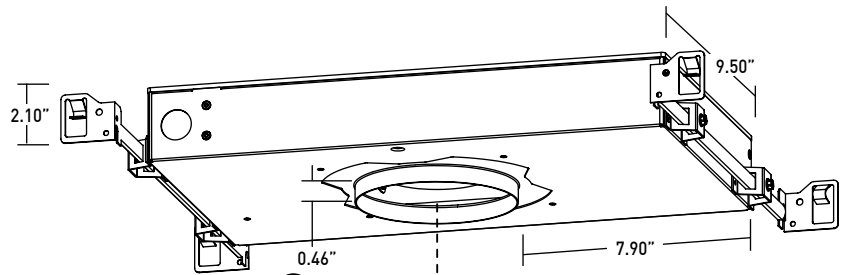
- A LED**
Integral LED module design enables field service / replacement through housing aperture.
- B OPTIC**
Proprietary wallwash optic integrates Reflection, Refraction and TIR principles.
- C1 STANDARD FLANGE PROFILE**
Installed after ceiling is complete. Requires 4.625" diameter cutout. Provides 0.86" total contractor (goof) allowance with 0.50" flange. Thickness measures 0.06". Wet location features integral silicone gasket.
- C2 MICROFLANGE PROFILE**
Installed after ceiling is complete. Requires 4.625" diameter cutout. Provides 0.42" total contractor (goof) allowance with 0.28" flange. Thickness measures 0.06". Wet location features integral silicone gasket.
- C3 TRIMLESS PROFILE**
Installs totally flush with the ceiling with no visible trim. Appliqué includes screws for mounting and has 0.06" plaster stop. Not recommended for stucco applications.
- D EFFECTS DEVICES**
Asymmetrical spread lens, included and sealed in place, combined with angled optic and wide aperture enhance uniformity.
- E ROUND/SQUARE BAFFLE**
Die-cast removable baffle minimizes aperture glare and conceals view into housing; includes silicone gasket.

DIMENSIONS / DRAWINGS

4.38" MAX FLUX HOUSING – 5000 LUMENS AND ABOVE



STANDARD HIGH / LOW FLUX HOUSING



FRAXION4SLIM WALLWASH

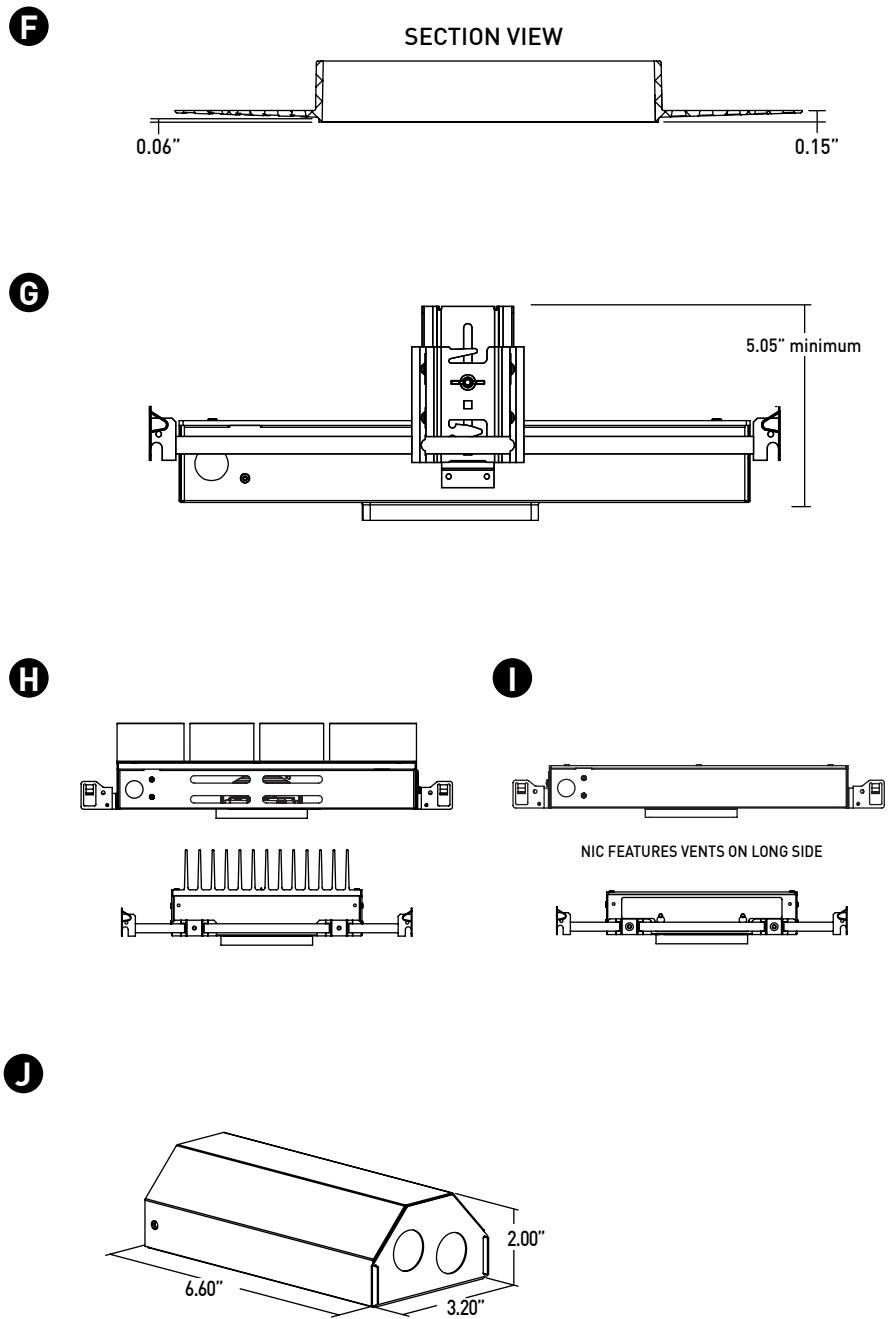
DOWNLIGHT / HOUSING

- F TRIMLESS APPLIQUÉ DETAIL**
Integrated appliqué for plaster floating directly to baffle.
- G ADJUSTABLE HANGER BAR HEIGHT ACCESSORY**
Provided with ceiling thickness "T" and recommended for installations in T-Grid and with furring channel. Hanger bars are installed to adjustable bracket. Allows housing to be raised and lowered; ceiling thickness remains 0.5" to 1.0" max.
- H 4.38" MAX FLUX NIC HOUSING**
 - For 80C58B and 90C50B lumen packages only.
 - Minimum 0.50" setback from combustible and non-combustible materials on all sides and top of housing.
 - Minimum 3.00" setback from insulation material having max R-Value 30 on all sides and top of housing.
 - Minimum 6.00" setback from polycell spray foam insulation having max R-Value 60.
- I STANDARD HIGH/LOW FLUX IC/NIC HOUSING**
 - IC HOUSING**
 - For IC ceilings.
 - Chicago Plenum, Airtight and Title 24 (JA8) listed.
 - Accommodates max 1642 delivered lumens.
 - No setback from polycell spray foam insulation having max R-Value of 60 on all sides and top of housing.
 - NIC HOUSING**
 - Minimum 0.50" setback from combustible and non-combustible materials on all sides and top of housing.
 - Minimum 3.00" setback from insulation material having max R-Value 30 on all sides and top of housing.
 - Minimum 6.00" setback from polycell spray foam insulation having max R-Value 60.
- J REMOTE POWER SUPPLY**
Provided with install Types "V", "W" and "D". Remote power supply provides additional driver options. Consult installation guide for maximum allowable secondary run lengths between PSF4-RMT and fixture. Must be installed in an accessible location.

HOUSING NOTES

- Do not install in environments where ambient temperatures exceed 40°C (104°F).
- Power supply compartment and all splice connections may be serviced from room side.
- Consult factory for spacing requirements for any installations exceeding R-Value 60.
- Hanger bars fitted to short side of housing, and long side of Low Flux housings; extend from 14.0" to 24.0", but may be field cut to accommodate narrow stud spacing. Can be extended up to 46" maximum with FRX-HBE-46 kit.
- Hanger bars and brackets add 4.00" to the overall dimension, but are excluded from the setback requirements.
- Housings for round trims feature a round aperture housing collar, and for square trims, a square housing collar, accommodating ceiling thicknesses between 0.50" and 1.00".

DIMENSIONS / DRAWINGS



FRAXION4SLIM WALLWASH

TECHNICAL

CONSTRUCTION

Downlight: Painted finishes are granulated powder coat.

Housing: Aluminum and 22 Gauge galvanized steel. Extruded aluminum housing panel to act as heat-sink.

Remote Power Supply: 22 Gauge galvanized steel.

Appliqué: Zinc Alloy

STATIC WHITE LED

2-step MacAdam ellipse LED module available in 80+, 90+ and 97+ CRI configurations in color temperatures of 2200K, 2700K, 3000K, 3500K and 4000K. Average rated lamp life: 50,000 hours. LED and driver assemblies are field-replaceable.

WARM DIM LED

3-step MacAdam ellipse warm dim LED module available in 90+ CRI configuration. 3200K or 2700K at full brightness, warming to 1800K at full dim. Average rated lamp life of 50,000 hours. LED and driver assemblies are field-replaceable.

TUNABLE WHITE LED

5-step MacAdam ellipse tunable white LED module available in 90+ CRI configuration. Features tuning range of 2700K to 5000K. Average rated lamp life: 50,000 hours. LED and driver assemblies are field-replaceable.

POWER SUPPLY PERFORMANCE AND DIMMING INFORMATION

| Power Supply | ELV | | ECO | | 0-10V | | | | | | DALI | | |
|--------------|--------|-------|-------|--------|--------|--------|--------|--------|--------|--------|--------|--------|--|
| | TR2 | L23 | LH1 | AN4 | LN2 | EA2 | LA2 | DL1 | DG1 | ED1 | LD1 | DD1 | |
| Minimum °C | -20 °C | 0 °C | 0 °C | -20 °C | -20 °C | -20 °C | -20 °C | -20 °C | -20 °C | -20 °C | -20 °C | -20 °C | |
| Maximum °C | 40 °C | 40 °C | 40 °C | 40 °C | 40 °C | 40 °C | 40 °C | 40 °C | 40 °C | 40 °C | 40 °C | 40 °C | |
| Dimming % | 2.0% | 1.0% | 1.0% | 1.0% | 1.0% | 0.1% | 0.1% | 0.1% | 0.1% | 0.1% | 0.1% | 0.1% | |

Note: For TR2, L23, LH1, LP1, AN4, EA2 and LA2 drivers consult chart on page 7 to confirm appropriate dimming curve for compatibility with selected control.

SPACING

Recommended fixture spacing is 36" on center with 36" setback from wall plane.

LISTING

cTUVus listed to UL1598 standard for Dry / Damp and Wet locations.

Chicago Plenum, Airtight and Title 24 JA8-2019 Listed.

U.S. Patent: 10,317,066

WARRANTY

Manufacturer's 1-year warranty guarantees product(s) listed to be free from defects in material and workmanship under normal use and service. 5-year warranty on LED and power supply to operate with 70% of the original flux and remain within a range of 3 duv. 10-year Lutron Advantage limited warranty available on Lutron equipped systems. Warranty period begins from the date of shipment by Seller and conditional upon the use of manufacturer-supplied power supply. Consult website for full warranty terms and conditions.

CHANGE LOG

- 04/30/2021: REMOVED QUICK SHIP.
- 03/15/2021: UPDATED HIGH FLUX STATIC WHITE PHOTOMETRICS.
- 03/15/2021: REMOVED HIGH FLUX 97+ CRI 3500K OFFERING.
- 01/12/2021: ADDED 2200K AND 2700K-1800K WARM DIM OFFERINGS.
- 07/01/2020: ADDED WARM DIM TO T24 LISTING.
- 03/09/2020: ADDED TRIMLESS TO FLANGE FINISH OPTIONS.

FRAXION4SLIM WALLWASH

DIMMING COMPATIBILITY

PHILIPS DRIVER COMPATIBILITY

| Power supply TR2 Manufacturer | Family/Model # |
|---|-----------------------|
| Lutron Electronics | DV-600P |
| Lutron Electronics | DVELV-303P |
| Lutron Electronics | NTELV-600 |
| Lutron Electronics | MAELV-600 |
| Lutron Electronics | SELV-300P |
| Lutron Electronics | DVLV-600P |
| Lutron Electronics | NFTU-5A |
| Lutron Electronics | CTCL-153P |
| Lutron Electronics | GL-600H |
| Lutron Electronics | S-600P |
| Lutron Electronics | PHPM |
| Power supply AN4 Manufacturer | Family/Model # |
| Lutron Electronics | DVTV plus PP-DV |
| Lutron Electronics | DVSCTV plus PP-DV |
| Lutron Electronics | DVSTV |
| Lutron Electronics | DVSCSTV |
| Lutron Electronics | QSGRJ-XP plus GRX-TVI |
| Lutron Electronics | QSGRJ-XE plus GRX-TVI |
| Lutron Electronics | NFTV plus PP-DV |
| Lutron Electronics | NTSTV |
| Lutron Electronics | RMJ-5T |
| Lutron Electronics | RMJS-8T |
| Lutron Electronics | FCJS-010 |
| Leviton | IllumaTch IP7 series |
| Philips | Sunrise - SR1200ZTUNV |

LUTRON DRIVER COMPATIBILITY

| Power supply L23 Lutron Product Family | Part No. |
|---|------------------------------|
| Maestro WirelessR 600 W dimmer | MRF2-6ND-120- |
| Maestro WirelessR 1000 W dimmer | MRF2-10ND-120- |
| Caséta® Wireless Pro 1000 W dimmer | PD-10NXD- |
| GRAFIK T™ CL® dimmer | GT-250M-GTJ-250M- |
| HomeWorks® QS adaptive dimmer | HQRD-6NA- |
| HomeWorks® QS 600 W dimmer | HQRD-6ND- |
| HomeWorks® QS 1000 W dimmer | HQRD-10ND- |
| RadioRA® 2 adaptive dimmer | RRD-6NA- |
| RadioRA® 2 1000 W dimmer | RRD-10ND |
| myRoom™ DIN power module | MQSE-4A1-D |
| HomeWorks® QS DIN power module | LQSE-4A1-D |
| HomeWorks® QS wallbox power module | HQRJ-WPM-6D-120 |
| HomeWorks® wallbox power module | HWI-WPM-6D-120 |
| GRAFIK Eye® QS control unit | QSGR-, QSGRJ- |
| GRAFIK Eye® 3000 control unit | GRX-3100-GRX-3500- |
| RPM-4U module (LCP, HomeWorks® QS, GRAFIK Systems™, Quantum®) | HW-RPM-4U-120 LP-RPM-4U-120 |
| RPM-4A module (LCP, HomeWorks® QS, GRAFIK Systems™, Quantum®) | HW-RPM-4A-120, LP-RPM-4A-120 |
| GP dimming panels | Various |
| Ariadni CL 250W dimmer | AYCL-253P- |
| Diva CL 250W dimmer | DVCL-253P-DCSCCL-253P- |
| Nova T CL 250W dimmer | NTCL-250- |
| Power supply LH1 / LP1 Lutron Product Family | Part No. |
| PowPak Dimming Modules | RMJ-ECO32-DV-B |
| PowPak Dimming Modules | FCJ/FCJS-ECO |
| Energi Savr Nodes | QSN-1ECO-S |
| GRAFIK Eye QS control unit | QSN-2ECO-S |
| Homeworks QS control unit | QSGRJ- _E (wireless) |
| GRAFIK Eye QS control unit | QSGR- _E |
| Homeworks QS control unit | QSGR- _E |
| Quantum Hub | QP2-__ 2C |
| Quantum Hub | QP2-__ 4C |
| Quantum Hub | QP2-__ 6C |
| Quantum Hub | QP2-__ 8C |
| Homeworks QS power module | LQSE-2ECO-D |
| myRoom Plus power module | LQSE-2ECO-D |

eldoLED DRIVER COMPATIBILITY

| Power supply EA2 / LA2 Dimmer / Switch Control Manufacturer | Family/Model # |
|--|--------------------------------|
| Busch-Jaeger | 2112U-101 |
| Jung | 240-10 |
| Leviton Lighting Controls | IP710-DLX |
| Lightolier Controls | ZP600FAM120 |
| Lutron Electronics | Nova T® - NTFTV |
| Lutron Electronics | Div@ - DDTV |
| Lutron Electronics | Nova@ - NFTV |
| Merten | 5729 |
| Pass & Seymour | CD4FB-W |
| The Watt Stopper | DCLV1 |
| Sensor Switch | nI0 EZ |
| Synergy | ISD BC |
| Power supply EA2 / LA2 Lighting Control System Manufacturer | Family/Model # |
| Lutron Electronics | GrafixEye® GRX-TVI w GRX3503 |
| Lutron Electronics | Energy Savr Node™ - QSN-4T16-S |
| Lutron Electronics | TVM2 Module |
| Crestron® | GLX-DIMFLV8 |
| Crestron® | GLXP-DIMFLV8 |
| Crestron® | GLPAC-DIMFLV4-* |
| Crestron® | GLPAC-DIMFLV8-* |
| Crestron® | GLPP-DIMFLVEX-PM |
| Crestron® | GLPP-1DIMFLV2EX-PM |
| Crestron® | GLPP-1DIMFLV3EX-PM |
| Crestron® | DIN-A08 |
| Crestron® | DIN-4DIMFLV4 |
| Crestron® | CLS-EXP-DIMFLV |
| Crestron® | CLCI-1DIMFLV2EX |
| ABB | SD/S 2.16.1 |

