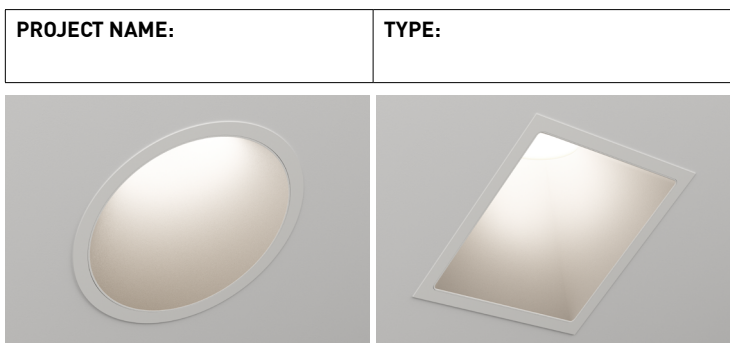


FRAXION® SLOPED LVS

FIXED DOWNLIGHT

One of our most versatile and flexible fixtures is now available for sloped ceilings, allowing designers to use a single style of fixture across a wider array of spaces.



ORDERING INFORMATION - DOWNLIGHT / HOUSING

| SLOPE RANGE | SHAPE | TRIM | RATING | FLANGE FINISH | BAFFLE FINISH | LUMEN PACKAGE | CCT | OPTIC | INSTALL TYPE | CEILING THICKNESS | POWER SUPPLY | EFFECTS DEVICE |
|-------------------------------------------|---------------------|-----------------------------|---------------------|----------------------------------------------------------------------------------------------------------------------------------|------------------------------------------------------------------------------------------------------------------|--------------------------------------------------------------------------------------------------------------------------------------------------------------------------------------------------------------------------------------------------------------------------------------------------------------------------------------------------------------------------------------------------------------------|-----------------------------------------------------------|-------------------------------------------------|----------------------------------------------------------|------------------------------------------------------|------------------------|-------------------------------------------------------------------------------------------------------------------------------------------------------------------------------------------------------------------------------------------------------------------------------------------------|
| | | | | | | | | | | | LVS | |
| FS1 15° - 30° (3/12 - 7/12) Slope 1 | R Round S Square | M Microflange T Trimless | 1 Dry/Damp 2 Wet | WH White BK Black PR Primer AU Cashmere Gold AG Satin Silver BB Burnt Bronze 00 Trimless* CF Custom Finish* | WH White BK Black PR Primer AU Cashmere Gold AG Satin Silver BB Burnt Bronze CF Custom Finish* | STATIC WHITE 80C12A 80+ CRI, Delivered Lumens - 876 80C16A 80+ CRI, Delivered Lumens - 1196 80C23A 80+ CRI, Delivered Lumens - 1650 90C10A 90+ CRI, Delivered Lumens - 750 90C14A 90+ CRI, Delivered Lumens - 1026 90C19A 90+ CRI, Delivered Lumens - 1414 97C10A 97+ CRI, Delivered Lumens - 672 97C12A 97+ CRI, Delivered Lumens - 917 97C17A 97+ CRI, Delivered Lumens - 1356 | 22 2200K* 27 2700K 30 3000K 35 3500K 40 4000K | 15 15° 22 22° 40 40° 60 60° 85 85°* | REMOTE V IC / Non-IC Remote D IC Airtight, Remote* | 1 0.5" - 1.375" 2 1.375" - 2.0" 3 2.0" - 2.25" | LVS Low Voltage System | STANDARD EFFECTS DEVICE 04 Soft Focus Lens ALTERNATE EFFECTS DEVICE 03 Clear Glass Lens* 05 Frosted Glass Lens 08 Frosted Soft Focus Lens 14 Wide Distribution Lens* 26 Frosted Linear Spread Lens 28 Adjustable Honeycomb Lower and Soft Focus Lens* |
| | | | | | | | | | | | | |



PART NUMBER NOTES




- Housing and trim ship as e.g., FS1RM1-WHBK-90C14A2-3X1-PH*04
- Remote driver ships with fixture as e.g., PSF4-RMT-90C-14A-1L23

FRACTION SLOPED LVS FIXED DOWNLIGHT

APPLICATION NOTES

- Lucifer Lighting will not supply a fixture with a POE node or power supply inside the fixture. This allows for easier site install with nodes of 2 or more outputs.
- Consult node manufacturer for maximum remote wiring distances.
- Housing and Fixture feature 18 Gauge wiring.
- Wiring connections are made in the splicing compartment or on the fixture using customer supplied connectors, ex. wire nuts, push-in connectors, or terminal blocks.
- Confirm node compatibility with factory if it is not listed.
- Customers are responsible for ensuring POE node drive current is set to correct values shown below.
- Customers must ensure voltage range of the proposed POE node encompasses the fixtures complete Vf range, both maximum and minimum. If assistance is required contact LLC rep or factory.

NODE COMPATIBILITY

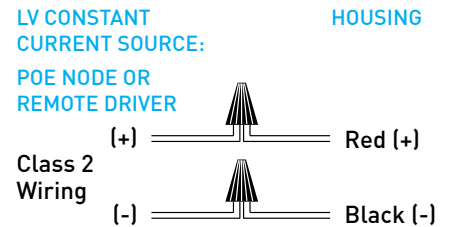
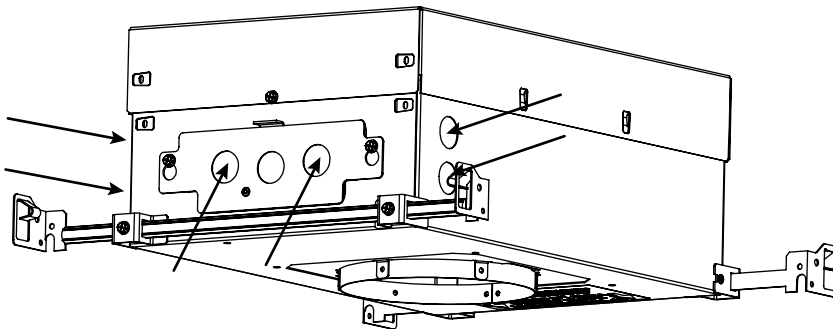
| Manufacturer | Model Number |
|-----------------------------------------------------------------------------------------------------------------------|----------------------------------------------------------------------------------------------|
|  Igor® Enabling Smart Buildings™ | NP50-60-C-F-5 |
|  molex | 180996-1001 180996-1002 180996-2001 180996-2002 |
|  PLATFORMATICS | 1 Channel Node, POE-LN2-1U-E 2 Channel Node, POE-LN2-2U-E 4 Channel Node, POE-LN2-4U-E |

DRIVE CURRENT SPECIFICS

| | 80C | | | 90C | | | 97C | | | 90W | |
|------------|------|------|------|------|------|------|------|------|------|------|------|
| | 12A | 16A | 23A | 10A | 14A | 19A | 10A | 12A | 17A | 11A | 13A |
| Minimum Vf | 30.5 | 30.5 | 30.5 | 30.5 | 30.5 | 30.5 | 30.5 | 30.5 | 30.5 | 30.5 | 30.5 |
| Maximum Vf | 39 | 39 | 39 | 39 | 39 | 39 | 39 | 39 | 39 | 39 | 39 |
| Current mA | 250 | 350 | 500 | 250 | 350 | 500 | 250 | 350 | 500 | 350 | 350 |
| Wattage W | 8.2 | 11.8 | 17.4 | 8.2 | 11.8 | 17.4 | 8.2 | 11.8 | 17.4 | 14 | 14 |

WIRING DIAGRAM AND HOUSING ENTRY/ EXIT POINTS

HOUSING



FRAZION SLOPED LVS FIXED DOWNLIGHT

ACCESSORIES

ALTERNATE EFFECTS DEVICES

- CGL-F3R** Clear Glass Lens*
*(Not available for Warm Dim)
- FGL-F3R** Frosted Glass Lens
- SFL-F3R** Soft Focus Lens
- FSFL-F3R** Frosted Soft Focus Lens
- WDL-F3R** Wide Distribution Lens*
*(Only available for 85° beam spread)
- FLSL-F3R** Frosted Linear Spread Lens

REPLACEMENT OPTICS

Interchangeable optics accessible through fixture aperture.

- RO-50-15-2** 15° optic
- RO-50-22-2** 22° optic
- RO-50-40-2** 40° optic
- RO-50-60-2** 60° optic

HANGER BAR EXTENDER KIT

Extends hanger bars from 24.0" to 46.0" maximum.

- FRX-HBE-46** Extender, Hanger Bar

ADJUSTABLE HCL ASSEMBLY

Dry / Damp location only.

- OLR-F3RS1-SFL-HCL** Adjustable Honeycomb Louver and Soft Focus Lens*
*(Not available for Wet location or Airtight housings)

TUNABLE WHITE REPLACEMENT OPTICS

Interchangeable optics accessible through fixture aperture.

- RO-50-22-3** 22° optic
- RO-50-40-3** 40° optic
- RO-50-60-3** 60° optic

FRACTION SLOPED LVS FIXED DOWNLIGHT

PERFORMANCE - 3000K

| LUMEN PACKAGE | WATTAGE | 15° OPTIC SOFT FOCUS LENS | | 22° OPTIC SOFT FOCUS LENS | | 40° OPTIC SOFT FOCUS LENS | | 60° OPTIC SOFT FOCUS LENS | | 85° OPTIC WIDE DISTRIBUTION LENS | |
|---------------|---------|------------------------------|-----|------------------------------|-----|------------------------------|-----|------------------------------|-----|-------------------------------------|-----|
| | | DELIVERED | LPW | DELIVERED | LPW | DELIVERED | LPW | DELIVERED | LPW | DELIVERED | LPW |
| 80C12A | 10 | 899 | 90 | 744 | 74 | 876 | 88 | 866 | 87 | 675 | 67 |
| 80C16A | 14 | 1228 | 86 | 1016 | 71 | 1196 | 84 | 1182 | 83 | 922 | 66 |
| 80C23A | 21 | 1694 | 81 | 1402 | 67 | 1650 | 79 | 1631 | 78 | 1272 | 61 |
| 90C10A | 10 | 770 | 77 | 638 | 64 | 750 | 75 | 742 | 74 | 579 | 58 |
| 90C14A | 14 | 1053 | 74 | 871 | 61 | 1026 | 72 | 1014 | 71 | 791 | 56 |
| 90C19A | 21 | 1452 | 69 | 1201 | 57 | 1414 | 67 | 1398 | 67 | 1090 | 52 |
| 97C10A | 10 | 690 | 69 | 571 | 57 | 672 | 67 | 664 | 66 | 518 | 52 |
| 97C12A | 14 | 942 | 66 | 779 | 55 | 917 | 64 | 907 | 64 | 707 | 50 |
| 97C17A | 21 | 1392 | 66 | 1152 | 55 | 1356 | 65 | 1340 | 64 | 1045 | 50 |
| 90W11A | 14 | 650 | 46 | 511 | 36 | 854 | 61 | 831 | 59 | 648 | 46 |
| 90W13A | 14 | 685 | 48 | 539 | 38 | 901 | 63 | 877 | 62 | 684 | 49 |

| OUTPUT MULTIPLIER | |
|-------------------|-----------|
| CCT | CCT SCALE |
| 2200K | 0.800 |
| 2700K | 0.957 |
| 3000K | 1.000 |
| 3500K | 1.019 |
| 4000K | 1.030 |

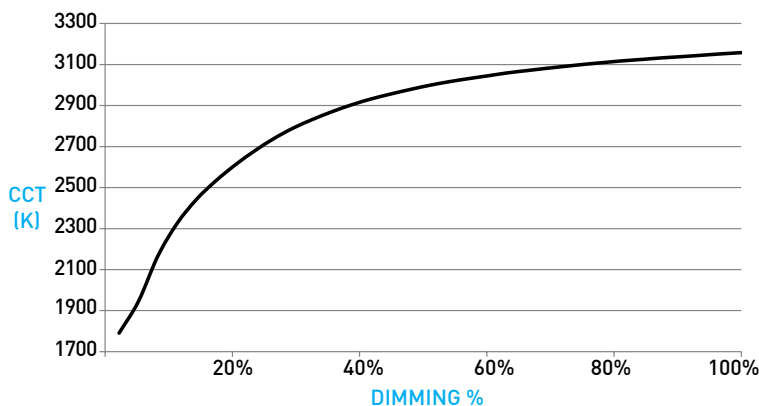
| LIGHT LOSS FACTOR MULTIPLIER | |
|------------------------------|-------|
| Category | Value |
| CGL | 1.05 |
| SFL | 1.00 |
| FGL | 0.90 |
| FSFL | 0.87 |
| FLSL | 0.83 |
| WDL | 0.78 |

*Performance reflects 5/12 ceiling pitch and 0.5" ceiling thickness. Consult factory for additional performance information.

WARM DIM PERFORMANCE - 40° OPTIC - SOFT FOCUS LENS

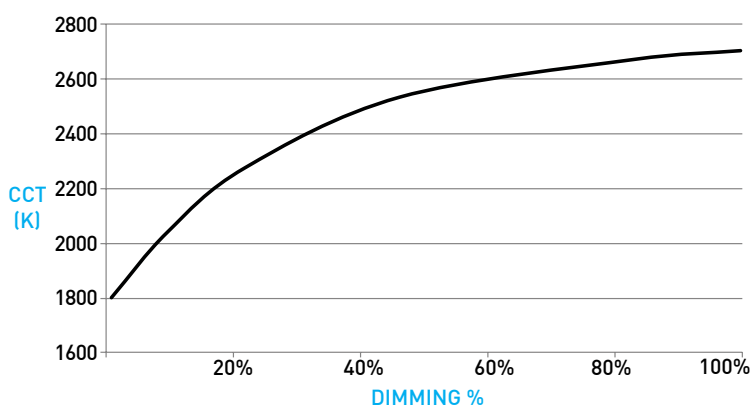
WARM DIM TO MIRROR HALOGEN DIMMING PROFILE

| 90W13A 3200K - 1800K | Full on 100% | Dimmed to 80% | Dimmed to 70% | Dimmed to 50% | Dimmed to 20% | Dimmed to 10% | Dimmed to 2% |
|-------------------------|-----------------|------------------|------------------|------------------|------------------|------------------|-----------------|
| CCT (K) | 3200 | 3150 | 3100 | 3000 | 2700 | 2200 | 1800 |
| Light Output (Lm) | 901 | 721 | 631 | 451 | 180 | 90 | 18 |
| Power (W) | 14 | 11 | 10 | 7 | 3 | 1.5 | 0.3 |
| Efficacy (LPW) | 64 | 64 | 64 | 64 | 64 | 64 | 64 |



WARM DIM TO MIRROR INCANDESCENT DIMMING PROFILE

| 90W11A 2700K - 1800K | Full on 100% | Dimmed to 80% | Dimmed to 70% | Dimmed to 50% | Dimmed to 20% | Dimmed to 10% | Dimmed to 2% |
|-------------------------|-----------------|------------------|------------------|------------------|------------------|------------------|-----------------|
| CCT (K) | 2700 | 2650 | 2620 | 2520 | 2180 | 1950 | 1800 |
| Light Output (Lm) | 854 | 683 | 598 | 427 | 171 | 85 | 17 |
| Power (W) | 14 | 11 | 10 | 7 | 3 | 1.5 | 0.3 |
| Efficacy (LPW) | 61 | 61 | 61 | 61 | 61 | 61 | 61 |



FRAXION SLOPED LVS FIXED DOWNLIGHT

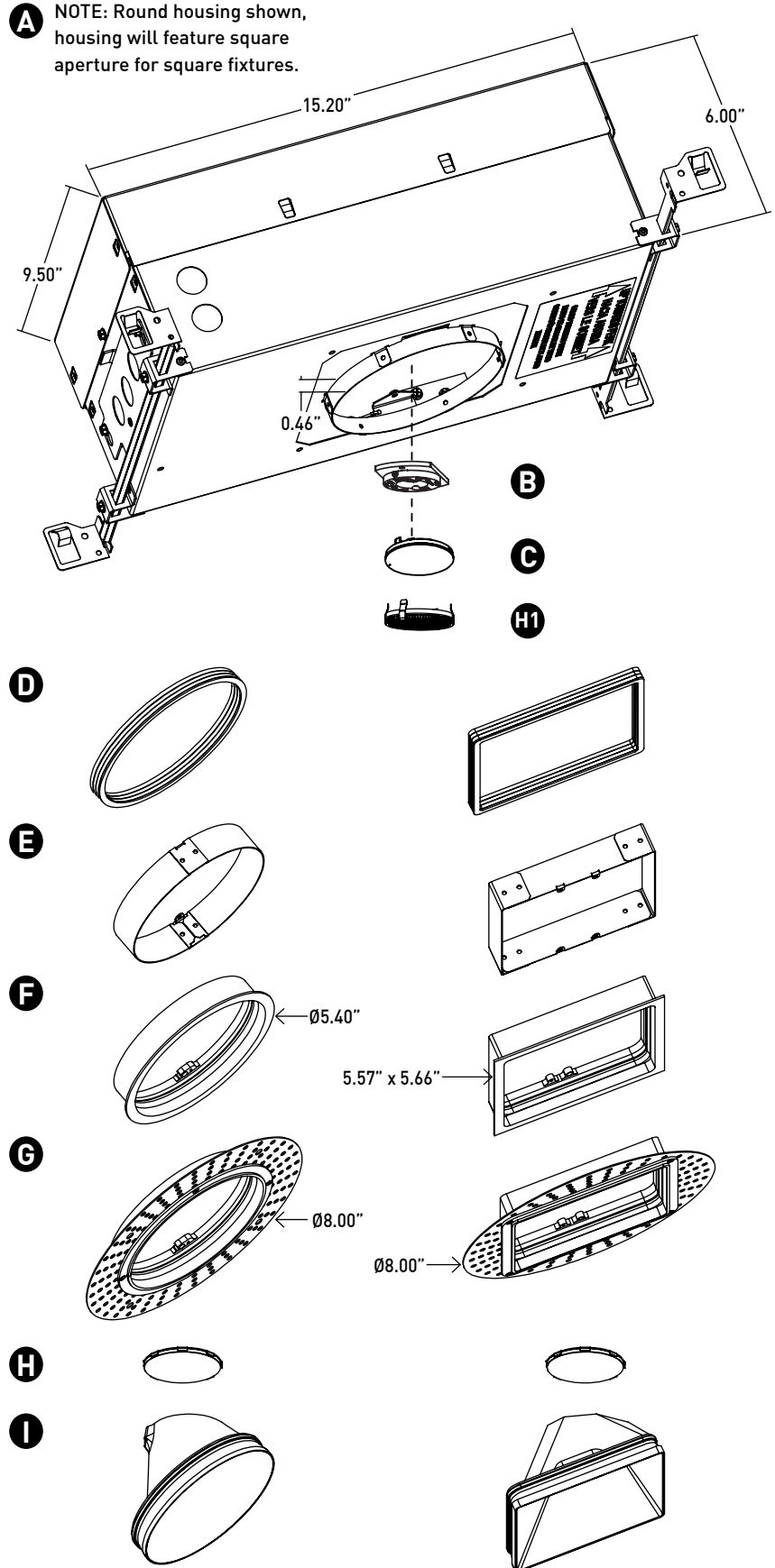
DOWNLIGHT / HOUSING

- A PITCH ADJUSTMENT**
Tilting mechanism is integral to the housing, provides lockable tilt for 3/12 (15°) - 12/12 (45°) slope ranges. Ships in 12/12 (45°) position (see **J** tilt guide).
- B LED**
Integral LED module design enables field service / replacement through housing aperture.
- C OPTIC**
Proprietary optic integrates Reflection, Refraction and TIR offering 15°, 22°, 40° & 60° beams.
- D TRIMLESS WOOD SPACERS**
Provided for Trimless Wood installations; includes (1) 1/16" spacer and (5) 1/8" spacers.
- E TRIM EXTENSIONS**
Provided for -2 and -3 ceiling thickness; accommodate 2.25" max ceiling thickness.
- F MICROFLANGE PROFILE**
Features 0.30" flange. Thickness measures 0.06". Installed after ceiling is complete. Round requires 5.4" diameter cutout, and square requires 5.57" x 5.66" cutout. Wet location features integral silicone gasket.
- G TRIMLESS DRYWALL PROFILE**
Installs totally flush with the ceiling with no visible trim. Appliqué has 0.07" plaster stop. Not recommended for stucco applications.
- H EFFECTS DEVICES / LENS RETAINER**
Fixture is limited to 1 effects device, Soft Focus Lens standard. Lens retainer allows effects devices to be changed in Dry /Damp and Wet locations.
- H1 ADJUSTABLE HCL ASSEMBLY**
Honeycomb Louver and Soft Focus Lens attach directly to optic with clip-on lens retainer and adjusts with fixture. Only compatible with no lens baffle. Dry/Damp locations only. Specified as -28 Effects Device.
- I ROUND BAFFLE**
Removable baffle provides easy access to tilting mechanism. Minimizes aperture glare and conceals view into housing; includes gasket. Available in two slope ranges 3/12 - 7/12 (15° - 30°) **K** and 7/12 - 12/12 (30° - 45°) **M**.

SQUARE TRANSITIONAL BAFFLE

Removable baffle provides easy access to tilting mechanism. Transitions from square aperture at ceiling plane to round aperture at light source. Minimizes aperture glare and conceals view into housing; includes gasket. Available in two slope ranges 3/12 - 7/12 (15° - 30°) **L** and 7/12 - 12/12 (30° - 45°) **N**.

DIMENSIONS / DRAWINGS



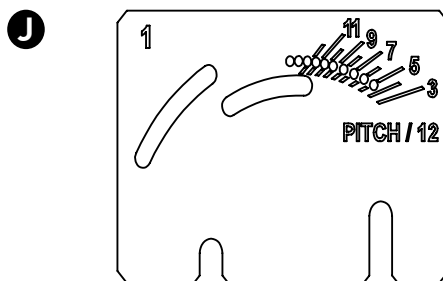
FRAXION SLOPED LVS FIXED DOWNLIGHT

TILT / BAFFLE

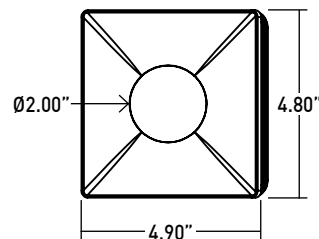
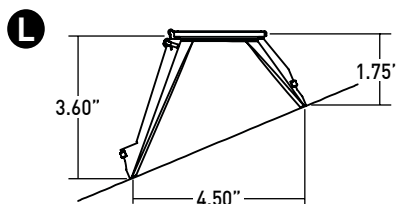
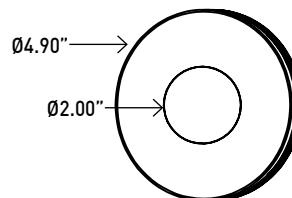
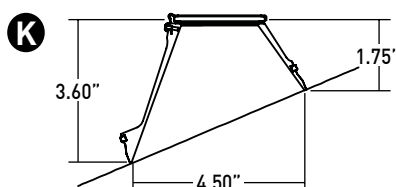
1 TILT GUIDE

Displays tilt indicators to adjust trim to ceiling pitch.

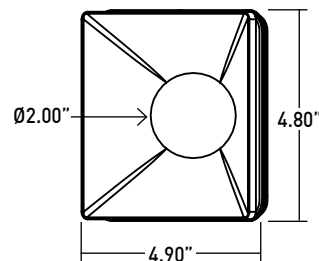
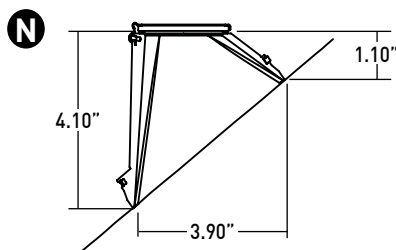
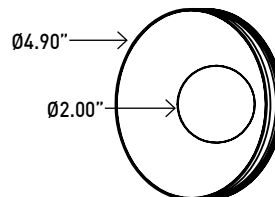
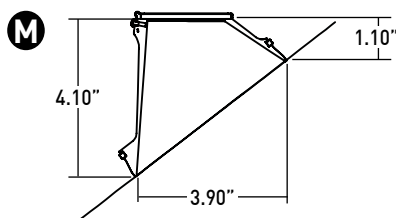
DIMENSIONS / DRAWINGS



SLOPE 1 BAFFLE: 3/12 - 7/12 (15° - 30°) SLOPE RANGES



SLOPE 2 BAFFLE: 7/12 - 12/12 (30° - 45°) SLOPE RANGES



FRACTION SLOPED LVS FIXED DOWNLIGHT

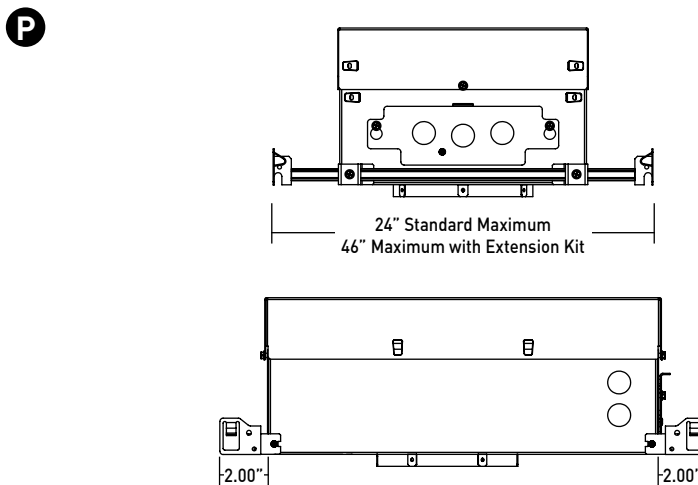
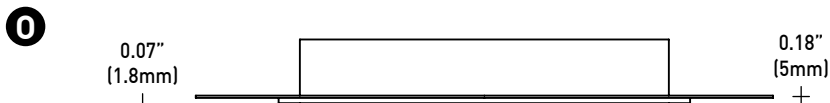
DOWNLIGHT / HOUSING

- O** **TRIMLESS APPLIQUÉ DETAIL**
Integrated appliqué for plaster floating directly to baffle.
- P** **IC / NON-IC HOUSING**
 - For IC or Non-IC ceilings.
 - Chicago Plenum, Airtight and Title 24 [JA8] listed.
 - Accommodates max 1650 delivered lumens.
 - No setback from polycell spray foam insulation having max R-Value of 60 on all sides and top of housing.

HOUSING NOTES

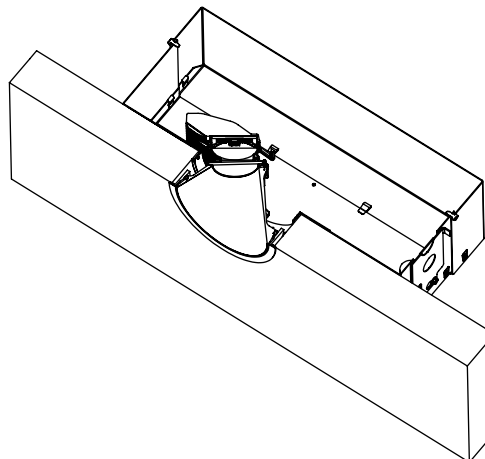
- Do not install in environments where ambient temperatures exceed 40°C (104°F).
- Splice connections may be serviced from room side.
- Consult factory for spacing requirements for any installations exceeding R-Value 60.
- Hanger bars fitted to short side of housing; extend from 14.0" to 24.0", but may be field cut to accommodate narrow stud spacing. Can be extended up to 46" maximum with FRX-HBE-46 kit.
- Hanger bars and brackets add 4.00" to the overall dimension, but are exclusive of the setback requirements.
- Housings for round trims feature a round aperture housing collar, and for square trims, a square housing collar, accommodating ceiling thicknesses between 0.50" and 2.25".

DIMENSIONS / DRAWINGS



CEILING THICKNESS RANGES

- 1 0.5" - 1.375"
- 2 1.375" - 2.0"
- 3 2.0" - 2.25"



FRAXION SLOPED LVS FIXED DOWNLIGHT

TECHNICAL

CONSTRUCTION

Downlight: Painted finishes are granulated powder coat.

Housing: Aluminum and 22 Gauge galvanized steel.

Appliqué: Aluminum and 22 Gauge galvanized steel.

STATIC WHITE LED

2-step MacAdam ellipse LED module available in 80+, 90+ and 97+ CRI configurations in color temperatures of 2200K, 2700K, 3000K, 3500K and 4000K. Average rated lamp life of 50,000 hours. LED assemblies are field-replaceable.

WARM DIM LED

3-step MacAdam ellipse warm dim LED module available in 90+ CRI configuration. 3200K or 2700K at full brightness, warming to 1800K at full dim. Average rated lamp life of 50,000 hours. LED assemblies are field-replaceable.

LISTING

cTUVus listed to UL2108 standard for Dry / Damp and Wet locations.

Chicago Plenum and Airtight listed.

WARRANTY

Manufacturer's 1-year warranty guarantees product(s) listed to be free from defects in material and workmanship under normal use and service. 5-year warranty on LED to operate with 70% of the original flux and remain within a range of 3 duv. Warranty period begins from the date of shipment by Seller. Consult [website](#) for full warranty terms and conditions.