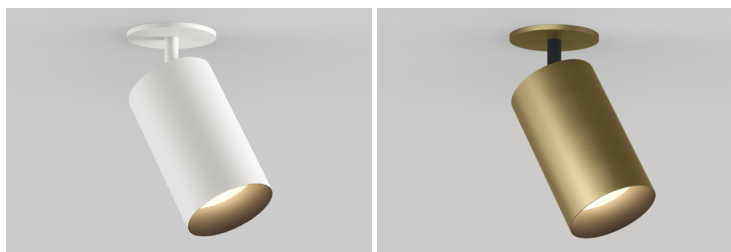


MONOPOINT LVS

CM2 ADJUSTABLE

Elegant design means this monopoint does more. An inventive elbow built into the fixture body that allows a full 90 degree tilt and drop lengths of up to 1' extend adjustability.

PROJECT NAME:	TYPE:
---------------	-------



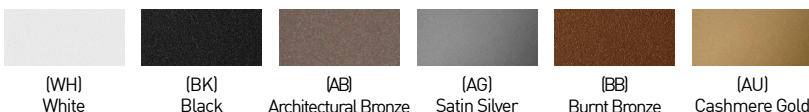
ORDERING INFORMATION - MONOPOINT

CYLINDER	LENGTH	FIXTURE	CYLINDER FINISH	BODY FINISH	STEM FINISH	LUMEN PACKAGE	OCT	OPTIC	DRIVER	EFFECTS DEVICE	MOUNTING
CM2		AD1							LVS		
CM2 3.25"	LENGTHS SL 1.4" Standard 06 6" 12 12" CUSTOM LENGTHS XX Specify in 1" increments between 2"-11" (Ex. 4" = 04)* *(Increased lead time) *STEMS ARE NOT FIELD CUTTABLE	AD1 90° Tilt Dry/Damp	POWDERCOAT WH White BK Black AB Architectural Bronze AG Satin Silver CF Custom Finish* *(Consult Factory) ALUMINA 01 Brushed Obsidian 02 Matte Obsidian 03 Brushed Dark Patinated Bronze 04 Matte Dark Patinated Bronze 05 Brushed Aged Aluminum 06 Matte Aged Aluminum 07 Brushed Cast Brass 08 Matte Cast Brass 09 Brushed Light Patinated Bronze 10 Matte Light Patinated Bronze	POWDERCOAT WH White BK Black AB Architectural Bronze AG Satin Silver AU Cashmere Gold BB Burnt Bronze CF Custom Finish* *(Consult Factory) ALUMINA CONSULT FACTORY FOR ALUMINA FINISHES	POWDERCOAT WH White BK Black AB Architectural Bronze AG Satin Silver CF Custom Finish* *(Consult Factory) ALUMINA CONSULT FACTORY FOR ALUMINA FINISHES	STATIC WHITE 80C12A 80+ CRI, Delivered Lumens - 888 80C19A 80+ CRI, Delivered Lumens - 1370 80C31B 80+ CRI, Delivered Lumens - 1951 90C10A 90+ CRI, Delivered Lumens - 761 90C15A 90+ CRI, Delivered Lumens - 1174 90C27B 90+ CRI, Delivered Lumens - 1672 97C09A 97+ CRI, Delivered Lumens - 681 97C14A 97+ CRI, Delivered Lumens - 1050 97C24B 97+ CRI, Delivered Lumens - 1496 WARM DIM 90W11A 90+ CRI, Delivered Lumens - 890 Incandescent Profile 90W12A 90+ CRI, Delivered Lumens - 975 Standard Profile *SEE PAGE 3 FOR WARM DIM PROFILE COMPARISON. *DELIVERED LUMENS REFLECT 3000K PAIRED WITH 25° OPTIC AND SOFT FOCUS LENS.	22 2200K* *(Only available with 90+ CRI) 27 2700K 30 3000K 35 3500K 40 4000K WL 2700K - 1800K WD 3000K - 1800K	10 10°* *(Not available with 2200K, 80C31B, 90C27B, or 97C21B) 15 15° 25 25° 40 40° 60 60° 25 25° 40 40° 60 60°	LVS Low Voltage System	STANDARD EFFECTS DEVICE 4 Soft Focus Lens 0 No Lens* *(Standard with 10° optic) ALTERNATE EFFECTS DEVICE 2 Honeycomb Louver* *(Not available for Warm Dim) 3 Clear Glass Lens* *(Not available for Warm Dim) 5 Frosted Glass Lens 6 Frosted Soft Focus Lens 7 Frosted Linear Spread Lens S Soft Focus Lens w/ Honeycomb Louver F Frosted Glass Lens w/ Honeycomb Louver	ROUGH-IN J JBMP 4" Sq. or 4/0 Junction Box Mounting Plate. Features 3.25" diameter canopy* (Mounting plate must be installed on junction box prior to ceiling installation) FINISH OUT G Zero Sightline Gypsum (1/16" Appliqué) Features 2.6" diameter canopy* *(Mounts to 4/0 junction box) C CMJB 1/2" and 3/4" Conduit Ceiling Mount Junction Box. Features matching 3.25" canopy.* *(Available in powdercoat finishes. Alumina finish fixtures ship with Black powdercoat CMJB.) R Remodel 4.5" Flange Overlay Canopy* *(Mounts to existing 4/0 junction box)

PART NUMBER NOTES

- CM2 ships as e.g., CM202AD1WHBK90C15*3040LVS4
- Mounting ships separate from fixture, part numbers listed on page 4.

POWDERCOAT FINISHES



ALUMINA FINISHES BY LUCIFER LIGHTING™






*ALUMINA FINISHES ARE ANODIZED ALUMINUM

MONOPOINT LVS CM2 ADJUSTABLE

APPLICATION NOTES

- Lucifer Lighting will not supply a fixture with a POE node or power supply inside the fixture. This allows for easier site install with nodes of 2 or more outputs.
- Consult node manufacturer for maximum remote wiring distances.
- Fixture features 18 Gauge wiring.
- Wiring connections are made on the fixture using customer supplied connectors, ex. wire nuts, push-in connectors, or terminal blocks.
- Confirm node compatibility with factory if it is not listed.
- Customers are responsible for ensuring POE node drive current is set to correct values shown below.
- Customers must ensure voltage range of the proposed POE node encompasses the fixtures complete Vf range, both maximum and minimum. If assistance is required contact LLC rep or factory.

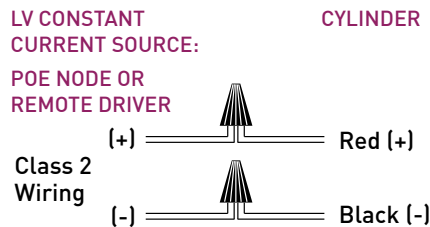
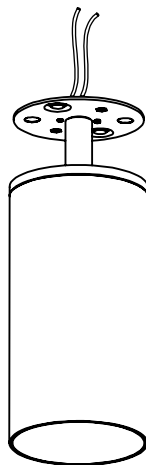
NODE COMPATIBILITY

Manufacturer	Model Number
 Igor® Enabling Smart Buildings™	NP50-60-C-F-5
 molex	180996-1001 180996-1002 180996-2001 180996-2002
 PLATFORMATICS	1 Channel Node, POE-LN2-1U-E 2 Channel Node, POE-LN2-2U-E 4 Channel Node, POE-LN2-4U-E

DRIVE CURRENT SPECIFICS

	80C			90C			97C			90W	
	12A	19A	31B	10A	15A	27B	09A	14A	24B	11A	12A
Minimum Vf	30.5	30.5	30.5	30.5	30.5	30.5	30.5	30.5	30.5	30.5	30.5
Maximum Vf	39	39	39	39	39	39	39	39	39	39	39
Current mA	250	400	650	250	400	650	250	400	650	400	400
Wattage W	8.2	13.6	21.7	8.2	13.6	21.7	8.2	13.6	21.7	13.6	13.6

WIRING DIAGRAM



MONOPOINT LVS CM2 ADJUSTABLE

ACCESSORIES

ALTERNATE EFFECTS DEVICES

- HCL-CT2** Honeycomb Louver*
*(Not available for Warm Dim)
- CGL-CT2** Clear Glass Lens*
*(Not available for Warm Dim)
- SFL-CT2** Soft Focus Lens
- FGL-CT2** Frosted Glass Lens
- FSFL-CT2** Frosted Soft Focus Lens
- FLSL-CT2** Frosted Linear Spread Lens

SECOND EFFECTS DEVICE GASKET

Replaces standard gasket when installing second effects device. Not required if two effects devices are specified with fixture.

- 2EDG-CT2** Two Effects Device Gasket

REPLACEMENT OPTICS

Interchangeable optics accessible by removing baffle.

- RO-70-15-1** 15° optic*
*(Not available for Warm Dim)
- RO-70-25-1** 25° optic
- RO-70-40-1** 40° optic
- RO-70-60-1** 60° optic

PERFORMANCE - 3000K

LUMEN PACKAGE	WATTAGE	10° OPTIC		15° OPTIC		25° OPTIC		40° OPTIC		60° OPTIC	
		NO SOFT FOCUS LENS		SOFT FOCUS LENS		SOFT FOCUS LENS		SOFT FOCUS LENS		SOFT FOCUS LENS	
		DELIVERED	LPW	DELIVERED	LPW	DELIVERED	LPW	DELIVERED	LPW	DELIVERED	LPW
80C12A	10	926	93	851	85	888	89	630	63	778	78
80C19A	17	1302	77	1313	77	1370	81	972	57	1200	71
80C31B	26	-	-	2205	84	1951	75	1539	59	1795	69
90C10A	10	784	78	729	73	761	76	540	54	666	67
90C15A	17	1103	65	1125	66	1174	69	833	49	1028	60
90C27B	26	-	-	1889	72	1672	64	1319	50	1538	59
97C09A	10	726	73	653	65	681	68	483	48	596	60
97C14A	17	1021	60	1007	59	1050	62	745	44	920	54
97C24B	26	-	-	1690	65	1496	57	1180	45	1376	53
90W11A (2700K)	16	-	-	-	-	890	56	679	42	804	50
90W12A	16	-	-	-	-	975	61	706	44	835	52

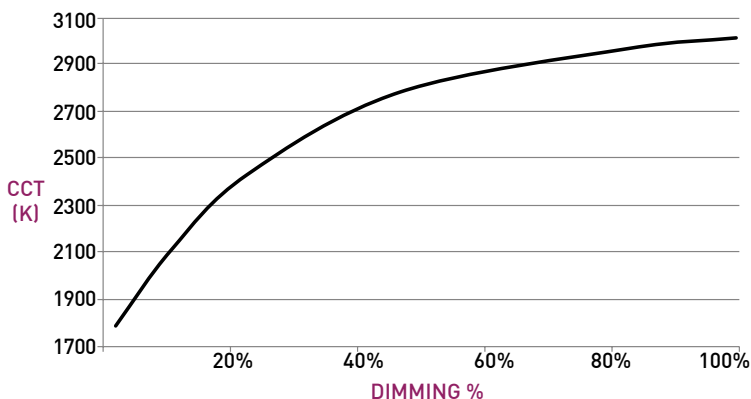
OUTPUT MULTIPLIER	
CCT	CCT SCALE
2200K	0.800
2700K	0.957
3000K	1.000
3500K	1.019
4000K	1.030

LIGHT LOSS FACTOR MULTIPLIER	
No Lens	1.05
CGL	1.00
SFL	1.00
FGL	0.90
FSFL	0.87
FLSL	0.83
HCL	0.65
SFL W/ HCL	0.65
FGL W/ HCL	0.58

WARM DIM PERFORMANCE - SOFT FOCUS LENS - 25° OPTIC

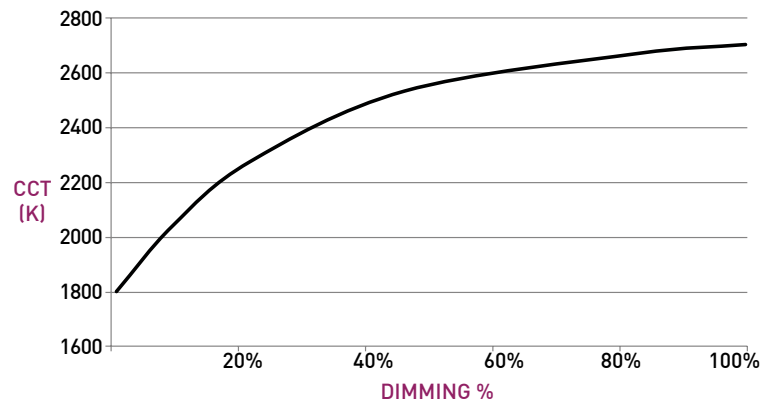
STANDARD WARM DIM PROFILE

90W12 3000K - 1800K	Full on 100%	Dimmed to 80%	Dimmed to 70%	Dimmed to 50%	Dimmed to 20%	Dimmed to 10%	Dimmed to 2%
CCT (K)	3000	2950	2920	2775	2375	2000	1800
Light Output (Lm)	975	780	683	438	195	97	20
Power (W)	16	13	11	8	3	1.6	0.3
Efficacy (LPW)	61	61	61	61	61	61	61



WARM DIM TO MIRROR INCANDESCENT DIMMING PROFILE

90W11 2700K - 1800K	Full on 100%	Dimmed to 80%	Dimmed to 70%	Dimmed to 50%	Dimmed to 20%	Dimmed to 10%	Dimmed to 2%
CCT (K)	2700	2650	2620	2520	2180	1950	1800
Light Output (Lm)	890	712	623	445	178	89	18
Power (W)	16	13	11	8	3	1.6	0.3
Efficacy (LPW)	56	56	56	56	56	56	56



MONOPOINT LVS CM2 ADJUSTABLE

MONOPOINT

- A JBMP**
Mounting plate (concealed) for standard 4" square or 4" 4/0 j-box. To be installed during rough-in prior to substrate. Features minimalist 3.25" diameter canopy.
Part Number - CM-JBMP.

- B ZERO-SIGHTLINE**
Provided with mud-in appliqué that mounts to standard 4" 4/0 junction box. Allows fixture canopy to be recessed into ceiling for a flush or zero-sightline aesthetic. Standard plaster stop thickness of 1/16". Not recommended for stucco applications.
Part Number - DLA-APP-CM

- C CEILING MOUNT JUNCTION BOX**
Ceiling mount junction box perfectly matches canopy profile for a continuous, integrated look where exposed ceiling mount junction box and conduit applications apply. For use with 1/2" and 3/4" EMT conduit only. Features two conduit entrances on either side and one conduit knockout on top of j-box. J-box is IP10 rated; powdercoat finishes only. Blank off plugs included.
Part number - CM-CMJB-[Finish].

- D REMODEL / FLANGE OVERLAY**
Provided with oversized canopy and mounting plate for standard 4" 4/0 junction boxes. Ideal for existing applications and features oversized 4.5" canopy to cover standard 4" octagon box cutout.

- E STEM**
Standard length is 1.4", available in even-inch increments between 2"-12". Stem is not field cuttable. Powdercoat finishes standard, consult factory for Alumina finishes.

- F BODY**
Available in powdercoat and Alumina finishes.

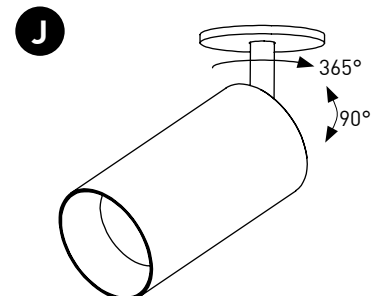
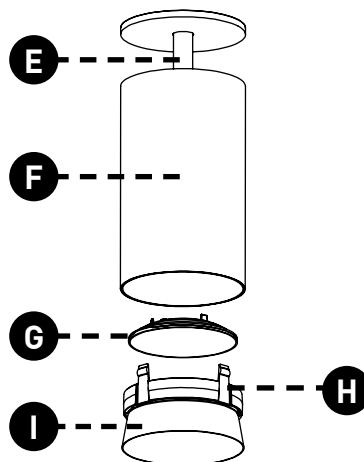
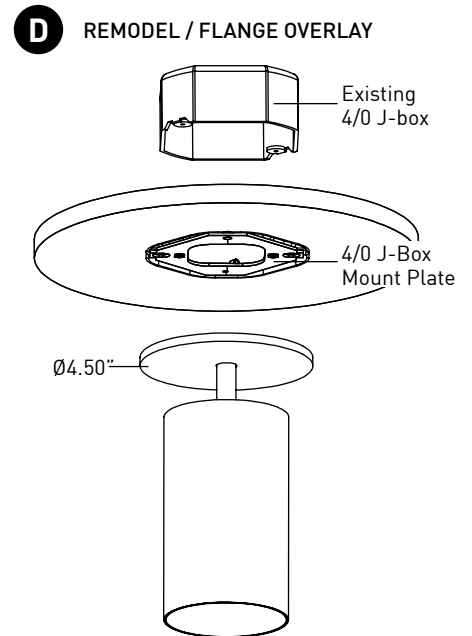
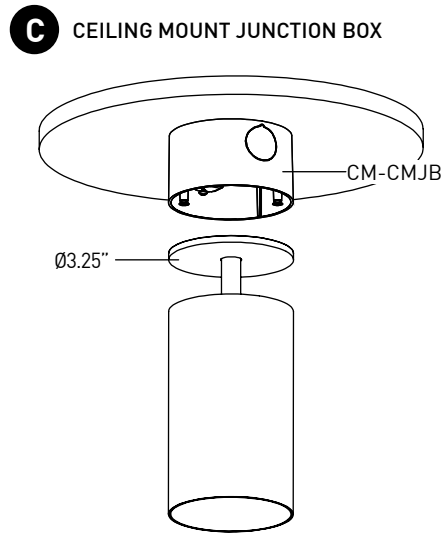
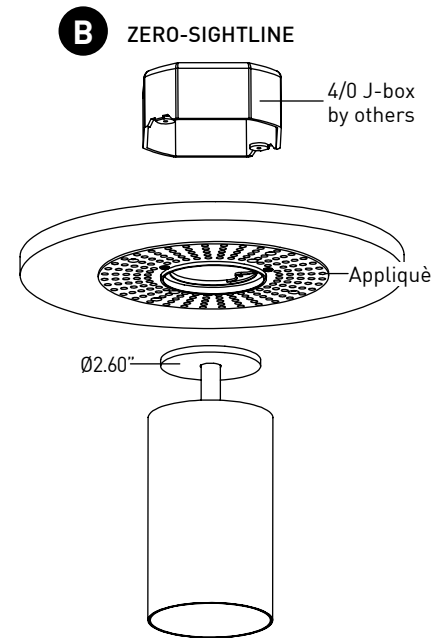
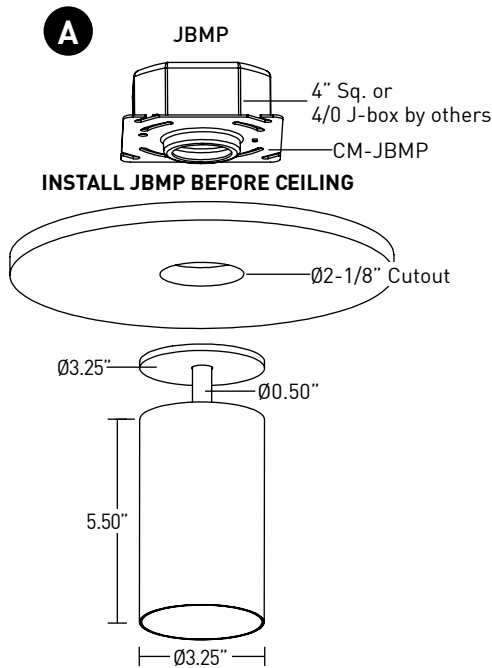
- G OPTICS**
Optic integrates Reflection, Refraction and TIR offering 10°, 15°, 25°, 40° & 60° beams.

- H EFFECTS DEVICES**
Accepts 2 effects devices; Soft Focus Lens standard.

- I BAFFLE**
Baffle minimizes aperture glare and conceals view into fixture. Powdercoat finishes standard, consult factory for Alumina finishes.

- J ADJUSTABILITY**
Features 90° tilt and 365° rotation.

DIMENSIONS / DRAWINGS



MONOPOINT LVS CM2 ADJUSTABLE

TECHNICAL

CONSTRUCTION

Monopoint: Machined aluminum body; painted finishes are granulated powder coat; Alumina finishes are anodized.

Appliqué: Machined Aluminum

STATIC WHITE LED

2-step MacAdam ellipse LED module available in 80+, 90+ and 97+ CRI configurations in color temperatures of 2200K, 2700K, 3000K, 3500K and 4000K. Average rated lamp life of 50,000 hours.

WARM DIM LED

3-step MacAdam ellipse warm dim LED module available in 90+ CRI configuration. 3000K or 2700K at full brightness, warming to 1800K at full dim. Average rated lamp life of 50,000 hours.

LISTING

UL listed to UL2108 standard for Dry / Damp and Wet locations.

LIMITED WARRANTY

Manufacturer's Limited Warranty guarantees product(s) listed to be free from defects in material and workmanship under normal use and service for 1-year. LED'S warranted to operate with 70% of original flux and remain within a range of 3 duv for a period of 5-years. Warranty period begins from the date of shipment by Seller and conditional upon the use of manufacturer-supplied power supply. [Consult website for full warranty terms and conditions.](#)