

PROJECT NAME:	TYPE:
---------------	-------

STEALTH AND IMPACT®

Low glare path lights lead the way through the out of doors, as built-ins or from freestanding bollards.



ORDERING INFORMATION AND DRAWINGS / DIMENSIONS - FITTING / BOLLARD

FIXTURE	RATING	FLANGE FINISH	CRI / WATTAGE PACKAGE	CCT	POWER SUPPLY	MOUNTING OPTION	CUSTOM HEIGHT
SSL1B Stealth Steplight	2 Wet (Locking)	POWDER COAT FINISH WH White BK Black AG Satin Silver AB Architectural Bronze CF Custom Finish* *(Consult Factory)	STEALTH & IMPACT 90L04B 90+ CRI, 4.2 Watts SSL1 Delivered Lumens - 89	27 2700K 30 3000K 35 3500K 40 4000K CC Custom Color (gel) * Color Temp: _____ K *(Custom gels assigned unique suffix upon receipt of order. Contact Product Support for guidance.)	INTEGRAL 120-PH1 Leading edge / Trailing Edge (supports 1 fixture) 120-AT2 0-10V Analog (supports 1 fixture) 277-AT2 0-10V Analog (supports 1 fixture) REMOTE REM Specified separately in remote power supply section	BD Bolt-Down* *(fasteners not included) CP Concrete Pour* *(Includes J-Bolts) SD Stake-Down* *(Not recommended for integral power supply configurations)	Leave blank unless specifying custom height Standard bollard height is 21". When specifying custom height, include dimension at end of model number in inches (max 48"; minimum 09" with remote power supply; minimum 14" with integral power supply)
ISL1B Impact Steplight			DOUBLE IMPACT 90L07B 90+ CRI, 6.9 Watts ISL2 Delivered Lumens - 242				
ISL2B Double Impact Steplight							

A BOLLARD

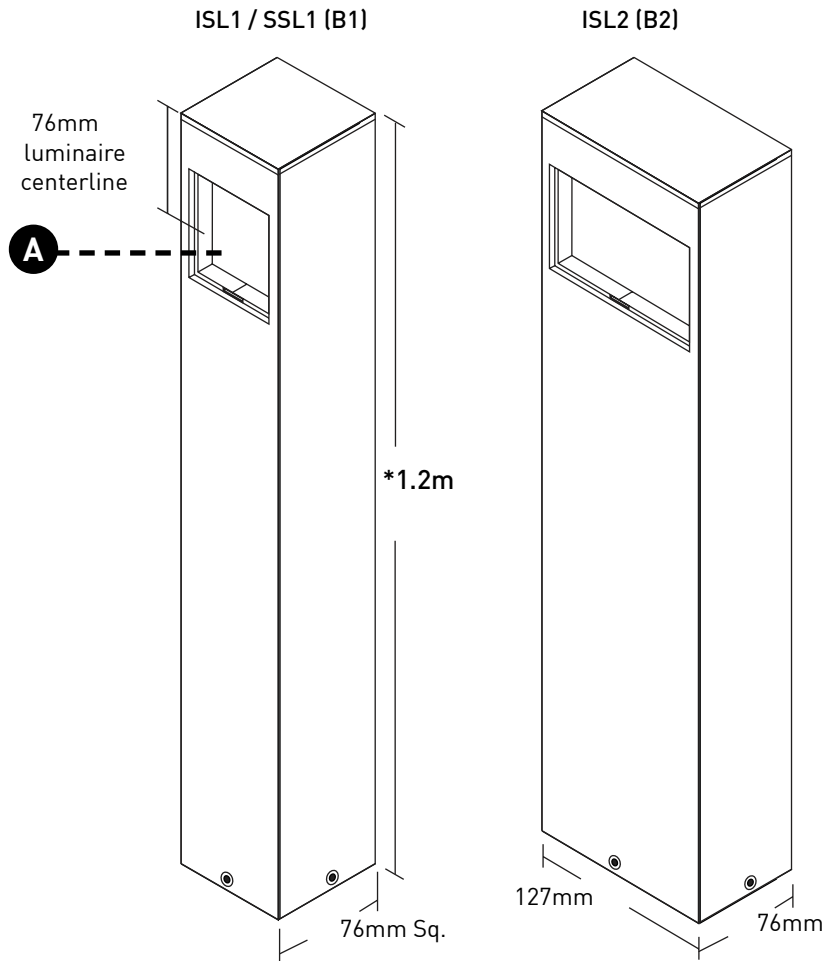
Freestanding mount for use with Stealth, Impact or Double Impact fittings. Receives luminaire for flush installation.

*Standard luminaire centerline is 76mm from the top of the bollard. Consult factory for custom luminaire heights.

**Standard Bollard height is 533mm; minimum height for remote powered Bollard is 229mm; minimum height for integral powered Bollard is 356mm; maximum height 1.2m.

PART NUMBER NOTES

- Fitting ships as e.g., ISL1-2-AB-90L09B2
- Bollard ships as e.g., B1-AB-INT-2AT2-BD-30



REMOTE POWER SUPPLY OPTIONS

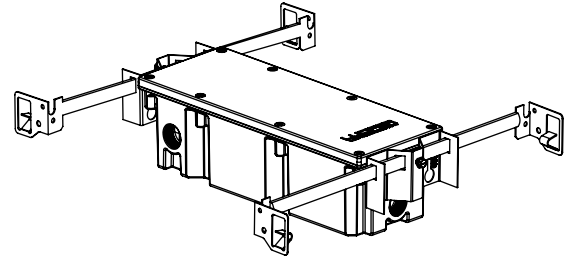
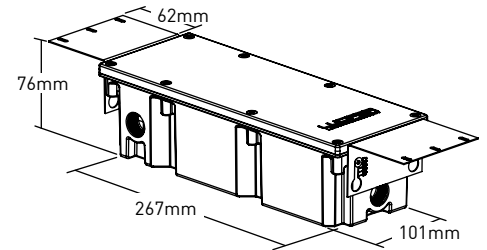
WET, DRY / DAMP LOCATION, OR CONCRETE POUR LOCATION

	VOLTAGE	POWERSUPPLY	ATTACHMENT
UBB-JCT-24V-60	2	AT2	
JUNCTION BOX 24 VOLT OUTPUT 60 WATT	2 220 VAC	AT2 LTF 0-10V Analog and Leading / Trailing edge (SSL1 / ISL1 Supports 1 - 12 fittings, ISL2 Supports 1 - 6 fittings)	HGR Hanger Bars BKT Brackets

UBB-JCT-24V-60-2AT2-(BKT / HGR)

Universal Junction Box, wet location and concrete pour rated. Specified as a remote power supply and features secondary output capacity, simplifying wiring practices and reducing budgets. Supplied with "-HGR" or "-BKT" mounting hardware, shown with Bracket (-BKT). Hanger bars adjust from 14" to 24" for standard joist spacing. Brackets, universal stainless steel mounting flange.

UBB-JCT-24V-60-2AT2-(BKT / HGR)



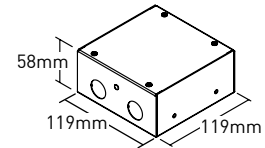
DRY / DAMP LOCATION

	POWERSUPPLY
PSA-24V	
POWER SUPPLY ASSEMBLY 24 VOLT OUTPUT	60-2AT2-INT 60 Watt, 220VAC, LTF 0-10V Analog and Leading / Trailing edge (SSL1 / ISL1 Supports 1 - 12 fittings, ISL2 Supports 1 - 6 fittings) 66-UEx2-INT 66 Watt, 120 - 277VAC, eldoLED LINEARdrive, DMX (SSL1 / ISL1 Supports 1 - 18 fittings, ISL2 Supports 1 - 9 fittings) 66-UED3-INT 66 Watt, 120 - 277VAC, eldoLED LINEARdrive, DALI (SSL1 / ISL1 Supports 1 - 18 fittings, ISL2 Supports 1 - 9 fittings)

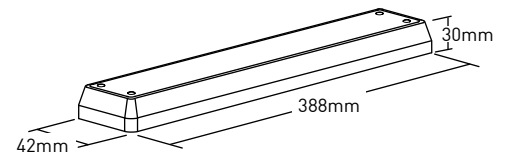
PSA-24V-XX-XXXX-XXX

Hardwire Class 2 power supply, consists of a steel compartment and lid painted black with integral conventional electronic power supply. Wired in either a homerun or parallel method.

PSA USED FOR AT2



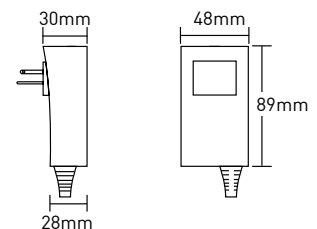
PSA USED FOR EX2 AND ED3



FOLLOWING POWER SUPPLY FOR DEMONSTRATION AND SAMPLING PURPOSES ONLY. NOT FOR PERMANENT INSTALLATIONS.

- PSA-24V-25-2EL2-INT** Plug-in 240V Class 2 power supply (Supports 1 fixture)

PSA-24V-25-2EL2-INT



DRAWINGS / DIMENSIONS - MOUNTING OPTIONS

B BOLT-DOWN (BD)

Base is bolted directly onto mounting surface with customer-furnished hardware. Bollard then attaches to base with supplied screws.

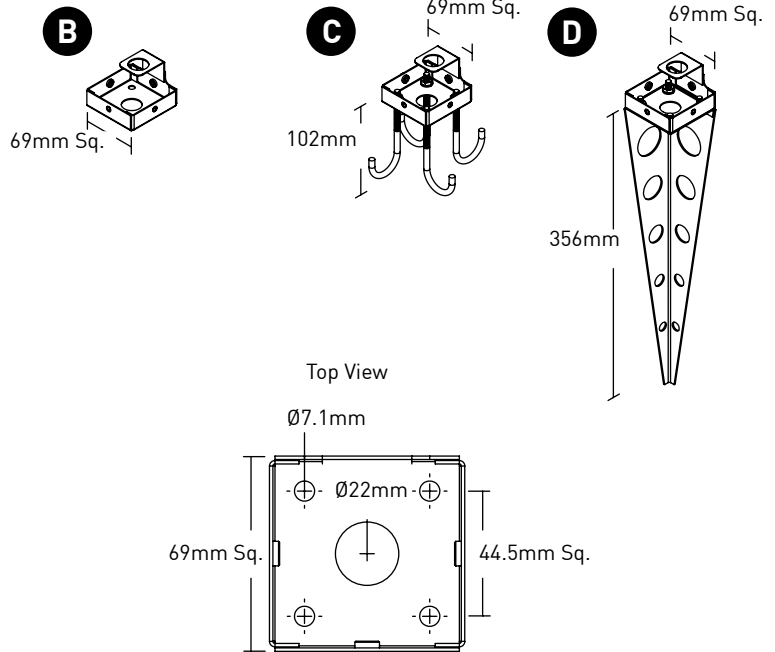
C CONCRETE POUR (CP)

Base features integral zinc-plated J-bolts for secure concrete pour mounting. Bollard then attaches to base with supplied screws.

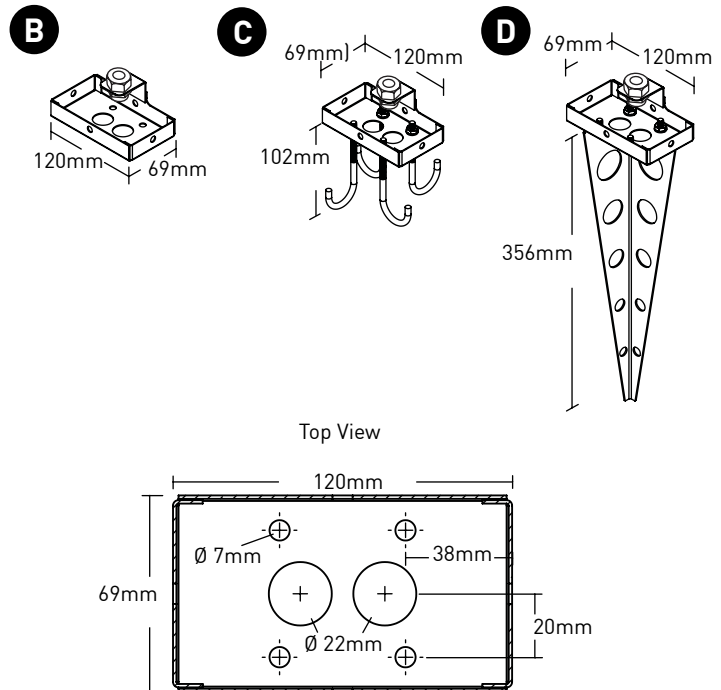
D STAKE-DOWN (SD)

Base is outfitted with stake and comes attached to Bollard for inserting into ground. Not recommended for integral power supply configurations.

ISL1 / SSL1 (B1)



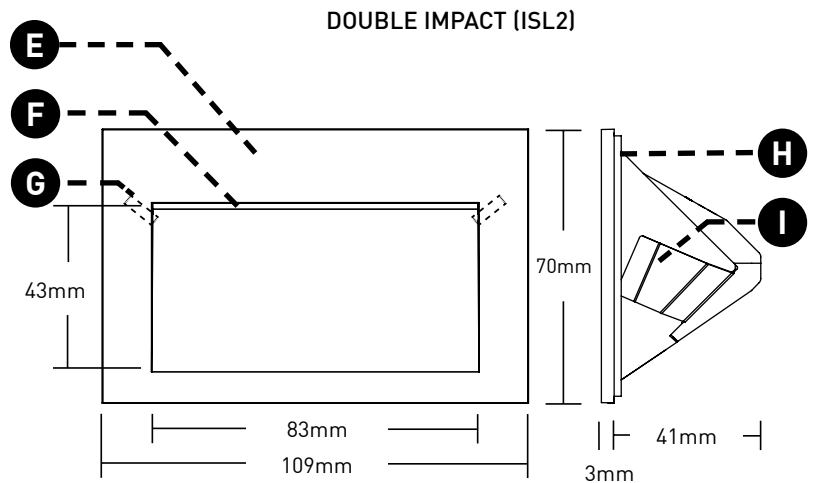
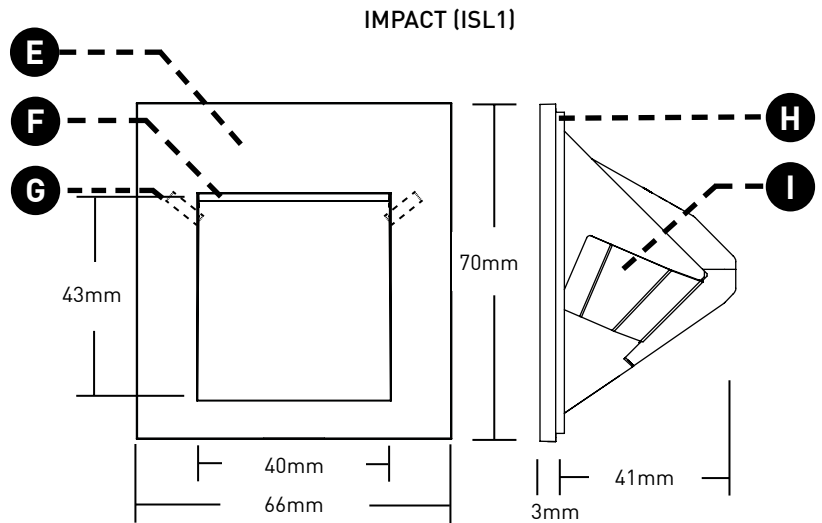
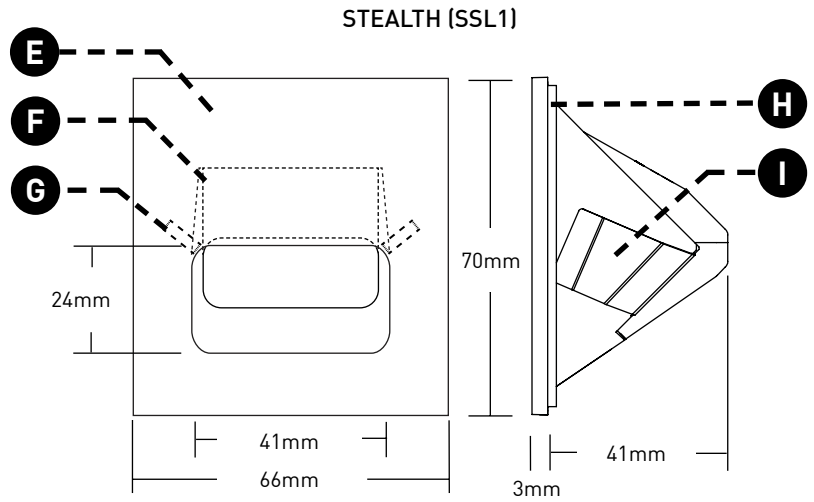
ISL2 (B2)



BOLLARD

DRAWINGS / DIMENSIONS - FIXTURE

- E LED**
Regressed DC LED with slot aperture for glare-free, energy-efficient path and step lighting; suitable for dry / damp or wet applications. Dimming by power supply).
- F MEDIA**
Provided with sealed polycarbonate linear diffusion lens; consult factory for availability of color gels, which may achieve custom color temperatures.
- G LOCKING**
Discreetly hidden tamper-resistant set screws. Included with IP65 Wet location luminaire.
- H GASKET**
Foam gasket provided. Required for IP65 wet location applications only.
- I RETENTION**
Torsion spring clips secure fixture into back box, mounting plate, or appropriately sized cut-out.



TECHNICAL

CONSTRUCTION

Bollard Body: Extruded aluminum with stainless steel internals; consult factory for availability of custom Bollard body extrusion dimensions. Available in granulated powder coat finishes only.
Stealth / Impact: Cast 316 stainless steel or brass, depending on finish. Painted finishes are granulated powder coat.
Universal Junction Box: Polycarbonate.

LED

Proprietary 2 step MacAdam ellipse LED module available with 80+ and 90+ CRI in color temperatures of 2700K, 3000K, 3500K and 4000K. Average rated lamp life: 50,000 hours. LED and driver assemblies are field-replaceable.

POWER SUPPLY PERFORMANCE AND DIMMING INFORMATION

Power Supply	AT2	EX2	ED3
Minimum °C	-20 °C	-20 °C	-20 °C
Maximum °C	50 °C	50 °C	50 °C
Dimming %	10.0%	0.1%	0.1%

RECOMMENDED SPACING

SSL1B / ISL1B: Recommended 36" (914mm) on-center spacing with multiple Bollards, when 21" height is observed.

ISL2B: Recommended 60" (1524mm) on-center spacing with multiple Bollards, when 21" height is observed.

ELECTRICAL

Luminaire requires factory-supplied 24-Volt DC power supply. May be integral to bollard or remote. Secondary run lengths vary depending on power supply specified, see installation guidelines for run lengths.

LISTING

cTUVus Listed; Dark-Sky Compliant; Patent No. US D606,228 S; Dry / Damp (IP54 rated) and Wet (IP65 rated) location.

WARRANTY

Manufacturer's 1-year warranty guarantees product(s) listed to be free from defects in material and workmanship under normal use and service. 5-year warranty on LED and power supply to operate with 70% of the original flux and remain within a range of 3 duv. Warranty period begins from the date of shipment by Seller. Consult website for full warranty terms and conditions.

CHANGE LOG

1. 10/08/2019: NEW CONSOLIDATED SPEC SHEET WITH SINGLE NOMENCLATURE FOR SPECIFICATION
2. 10/08/2019: NOW OFFERED WITH SATIN SILVER FINISH
3. 06/12/2023: ADDED 90 CRI WATTAGE PACKAGE