

PROJECT NAME:	TYPE:
---------------	-------

## STEALTH AND IMPACT®

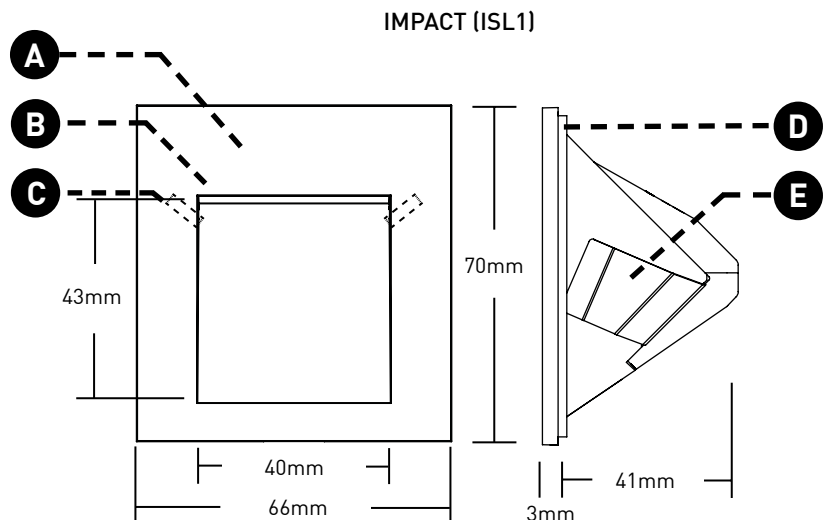
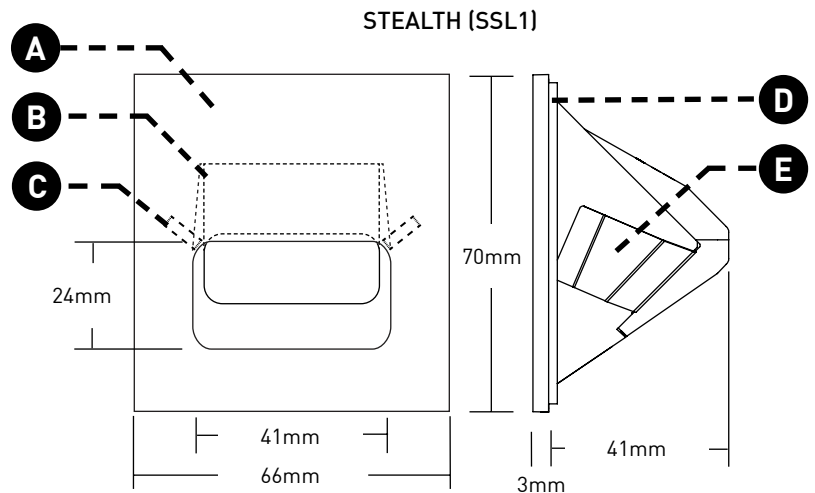


Low glare path lights lead the way through the out of doors, as built-ins or from freestanding bollards.

### ORDERING INFORMATION AND DRAWINGS - FITTING

FITTING	RATING	FLANGE FINISH			LUMEN PACKAGE	CCT
SSL1 Stealth Steplight ISL1 Impact Steplight	1 IP54 Dry / Damp (Non-Locking) 2 IP65 Wet (Locking)	<b>POWDER COAT FINISH</b> WH White BK Black AG Satin Silver AB Architectural Bronze CF Custom Finish* *(Consult Factory)	<b>NATURAL FINISH</b> IG Industrial Gray SS Brushed Stainless Steel BR Brushed Bronze NB Natural Bronze	<b>PLATED FINISH</b> CH Chrome* *(Increased lead time) PB Polished Oil-Rubbed Bronze* *(Increased lead time, not available for IP65 wet location) MB Matte Oil-Rubbed Bronze* *(Increased lead time, not available for IP65 wet location)	<b>STEALTH &amp; IMPACT</b> 80L02B 80+ CRI, 200 Source Lumens SSL1 Delivered Lumens - 33 ISL1 Delivered Lumens - 43	27 2700K 30 3000K 35 3500K 40 4000K CC Custom Color (gel)* Color Temp: _____ K *(Custom gets assigned unique suffix upon receipt of order. Contact Product Support for guidance.)

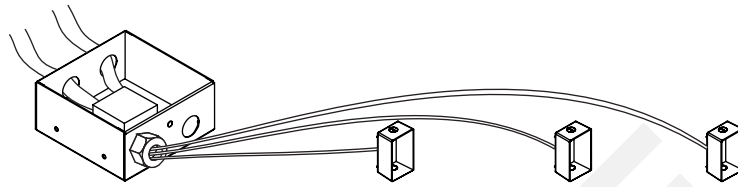
- A LED**  
Regressed LED with slot aperture for glare-free, energy-efficient path and step lighting; suitable for dry / damp or wet applications. 3.4W DC LED (dimming by power supply).
  - B EFFECTS DEVICES**  
Provided with sealed polycarbonate linear diffusion lens; consult factory for availability of color gels, which may achieve custom color temperatures.
  - C LOCKING**  
Discreetly hidden tamper-resistant set screws. Included with IP65 Wet location luminaire.
  - D GASKET**  
Foam gasket provided. Required for IP65 wet location applications only.
  - E RETENTION**  
Torsion spring clips secure fitting into back box, mounting plate, or appropriately sized cut-out.
- Available with Bollard mounting, please visit [WEBSITE](#) for additional information.
  - Double Impact ISL2 pathlight available, please visit [WEBSITE](#) for additional information.



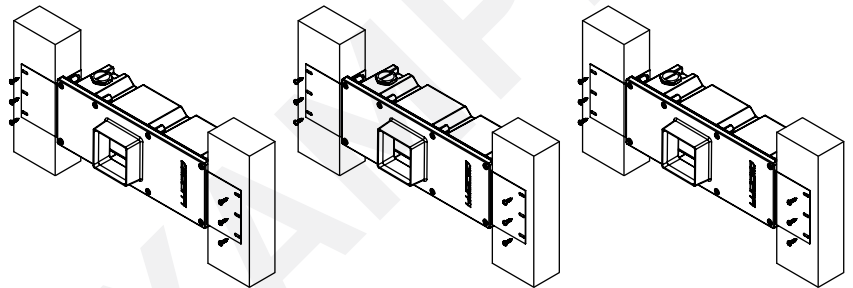
# PATHLIGHTS INTERNATIONAL STEALTH AND IMPACT

## SPECIFICATION GUIDE - EXAMPLES GIVEN

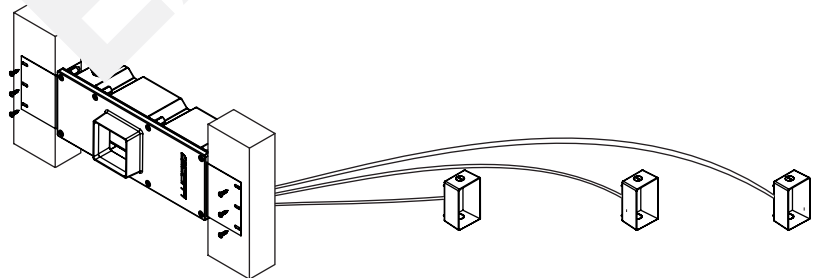
THREE FITTINGS WITH REMOTE POWER SUPPLY	
PART NUMBER	QTY.
SSL1-1-AB-80L02B-2	3
SSL-BB	3
PSA-24V-60-1AT2	1



THREE FITTINGS WITH INTEGRAL POWER SUPPLIES	
PART NUMBER	QTY.
SSL1-1-AB-80L02B-2	3
UBB-SL1-24V-60-2AT2-BKT	3



ONE FITTING WITH INTEGRAL POWER SUPPLY, POWERING THREE REMOTE MOUNTED FITTING	
PART NUMBER	QTY.
ISL1-1-AB-80L02B-2	4
UBB-SL1-24V-60-2AT2-BKT	1
SSL-BB	3



\*Quantities given are for the purposes of the examples only, max quantity of fittings per power supply varies.

# PATHLIGHTS INTERNATIONAL STEALTH AND IMPACT

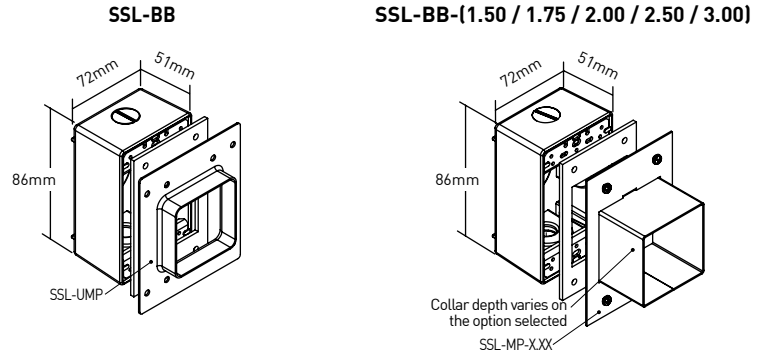
## MOUNTING OPTIONS FOR REMOTE POWER SUPPLY - SELECT ONLY ONE PER FITTING

Fitting Qty. \_\_\_\_\_

### WET, DRY / DAMP OR CONCRETE POUR LOCATION

#### QTY.

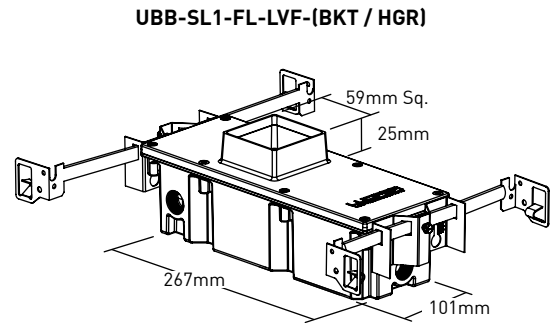
- **SSL-BB** ⓘ  
Back Box equipped with SSL-UMP mounting plate and gasket. Typically used in wet and concrete pour applications. Features 1/2" knockouts.
- **SSL-BB-(1.50 / 1.75 / 2.00 / 2.50 / 3.00)** ⓘ  
Back Box equipped with SSL-MP-XX mounting plate and gasket; specify preferred depth. Typically used in wet and concrete pour locations. Features 1/2" knockouts.
- **UBB-SL1-FL-LVF-(BKT / HGR)** ⓘ  
Universal Back Box, wet location and concrete pour rated. Specified with remote power supply and features secondary output capacity, simplifying wiring practices and reducing budgets. Supplied with mounting hardware, specify "-HGR" or "-BKT". Shown with hanger bars (-HGR). Hanger bars adjust from 14" to 24" for standard joist spacing. Brackets, universal stainless steel mounting flange.



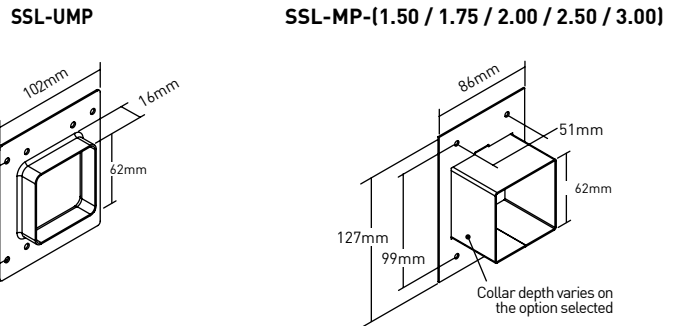
### WET OR DRY / DAMP LOCATION

#### QTY.

- **SSL-UMP** ⓘ  
Universal Mounting Plate typically used with two-gang switch box or 4-square junction box for dry / damp locations. May be used with customer-furnished single or two gang weatherproof box and factory supplied gasket for wet and concrete pour locations.
- **SSL-MP-(1.50 / 1.75 / 2.00 / 2.50 / 3.00)** ⓘ  
Mounting Plate includes gasket and features an extended collar for single-gang weatherproof box; specify preferred depth. Typically for wet and concrete pour locations.



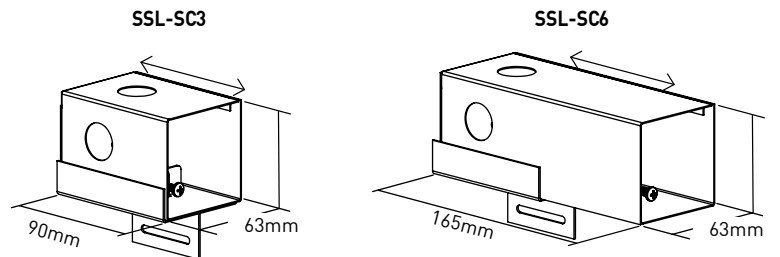
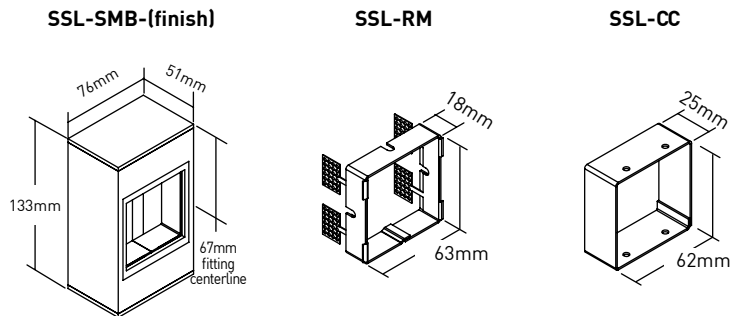
- **SSL-SMB-(finish)**  
Surface Mounting Box for interior or exterior applications, providing flush mount of luminaire. Receives secondary wiring through back of box. Powder coat finishes only.



### DRY / DAMP LOCATION ONLY

#### QTY.

- **SSL-RM** ⓘ  
Remodel Mount collar for installing fitting into drywall / plasterboard. Requires Class 2 power supply.
- **SSL-CC** ⓘ  
Cavity Collar for installing fitting into cavity or bore. Requires Class 2 power supply.
- **SSL-SC3** ⓘ  
Stud-mount Collar, adjusts with integral jackscrew from 1/2" to 3" for walls with varying substrate depths (rock, brick and stone). Features 1/2" knockouts for wiring.
- **SSL-SC6** ⓘ  
Stud-mount Collar, adjusts with integral jackscrew from 3" to 6" for walls with varying substrate depths (rock, brick and stone). Features 1/2" knockouts for wiring.



# PATHLIGHTS INTERNATIONAL STEALTH AND IMPACT

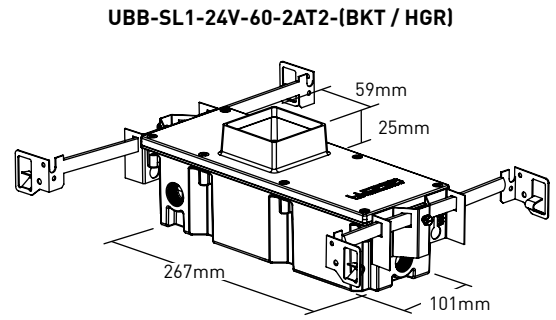
## MOUNTING OPTION WITH INTEGRAL POWER SUPPLY - SELECT ONLY ONE PER FITTING

### WET, DRY / DAMP LOCATION, OR CONCRETE POUR LOCATION

	VOLTAGE	POWERSUPPLY	ATTACHMENT
<b>UBB-SL1-24V-60</b>	<b>2</b>	<b>AT2</b>	
UNIVERSAL BACK BOX 1.00" COLLAR 24 VOLT OUTPUT 60 WATT	2 220 VAC	AT2 LTF 0-10V Analog and Leading / Trailing edge (Supports 1 - 12 fittings)	HGR Hangar Bars BKT Brackets

### UBB-SL1-24V-60-2AT2-(BKT / HGR)

Universal Back Box, wet location and concrete pour rated. Specified with integral power supply and features secondary output capacity, simplifying wiring practices and reducing budgets. Supplied with mounting hardware, specify "-HGR" or "-BKT". Shown with hanger bars (-HGR). Hanger bars adjust from 14" to 24" for standard joist spacing. Brackets, universal stainless steel mounting flange.



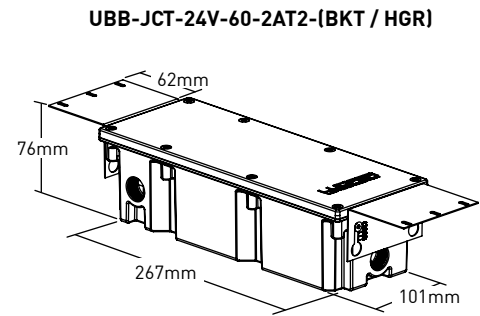
## REMOTE POWER SUPPLY OPTIONS

### WET, DRY / DAMP LOCATION, OR CONCRETE POUR LOCATION

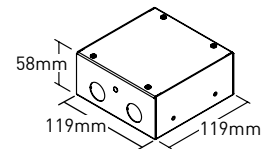
	VOLTAGE	POWERSUPPLY	ATTACHMENT
<b>UBB-JCT-24V-60</b>	<b>2</b>	<b>AT2</b>	
JUNCTION BOX 24 VOLT OUTPUT 60 WATT	2 220 VAC	AT2 LTF 0-10V Analog and Leading / Trailing edge (Supports 1 - 12 fittings)	HGR Hangar Bars BKT Brackets

### UBB-JCT-24V-60-2AT2-(BKT / HGR)

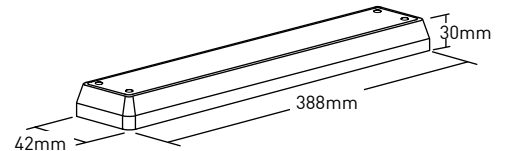
Universal Junction Box, wet location and concrete pour rated. Specified as a remote power supply and features secondary output capacity, simplifying wiring practices and reducing budgets. Supplied with "-HGR" or "-BKT" mounting hardware, shown with Bracket (-BKT). Hanger bars adjust from 14" to 24" for standard joist spacing. Brackets, universal stainless steel mounting flange.



### PSA USED FOR AT2



### PSA USED FOR EX2 AND ED3



### DRY / DAMP LOCATION

	POWERSUPPLY
<b>PSA-24V</b>	
POWER SUPPLY ASSEMBLY 24 VOLT OUTPUT	60-2AT2-INT 60 Watt, 220VAC, LTF 0-10V Analog and Leading / Trailing edge (supports 1 - 12 fittings) 66-UEx2-INT 66 Watt, 120 - 277VAC, eldoLED LINEARdrive, DMX (supports 1 - 18 fittings) 66-UED3-INT 66 Watt, 120 - 277VAC, eldoLED LINEARdrive, DALI (supports 1 - 18 fittings)

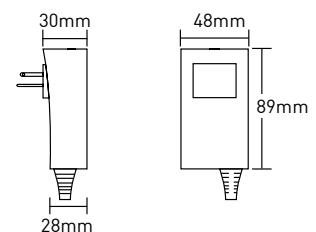
### PSA-24V-XX-XXXX-XXX

Hardwire Class 2 power supply, consists of a steel compartment and lid painted black with integral conventional electronic power supply. Wired in either a homerun or parallel method.

### FOLLOWING POWER SUPPLY FOR DEMONSTRATION AND SAMPLING PURPOSES ONLY. NOT FOR PERMANENT INSTALLATIONS.

- PSA-24V-25-2EL2-INT** Plug-in 240V Class 2 power supply (Supports 1 fixture)

### PSA-24V-25-2EL2-INT



# PATHLIGHTS INTERNATIONAL STEALTH AND IMPACT

## TECHNICAL

### CONSTRUCTION

Stealth: Cast 316 stainless steel or brass, depending on finish.

Mounting Plates and Mounting Collars: Stainless Steel.

Single-gang Weatherproof Box: Aluminum.

Surface Mount Box: Aluminum.

Universal Back Box: Polycarbonate.

### LED

Proprietary 2 step MacAdam ellipse LED module available with 80+ CRI in color temperatures of 2700K, 3000K, 3500K and 4000K. Average rated lamp life: 50,000 hours.

### POWER SUPPLY PERFORMANCE AND DIMMING INFORMATION

Power Supply	AT2	EX2	ED3
Minimum °C	-20 °C	-20 °C	-20 °C
Maximum °C	50 °C	50 °C	50 °C
Dimming %	10.0%	0.1%	0.1%

### RECOMMENDED SPACING

Optimum 18" [457mm] above walking surface; 36" [914mm] on-center spacing.

### ELECTRICAL

**Luminaire requires factory-supplied 24-Volt DC power supply.** May be integral to back box or remote. Secondary run lengths vary depending on power supply specified, see installation guidelines for run lengths.

### LISTING

cTUVus Listed; Dark-Sky Compliant; Patent No. US D610,734 S; Dry / Damp (IP54 rated) and Wet (IP65 rated) location.

### WARRANTY

Manufacturer's 1-year warranty guarantees product(s) listed to be free from defects in material and workmanship under normal use and service. 5-year warranty on LED and power supply to operate with 70% of the original flux and remain within a range of 3 duv. Warranty period begins from the date of shipment by Seller and conditional upon the use of manufacturer-supplied power supply. Consult website for full warranty terms and conditions.