

PATHLIGHTS

DOUBLE IMPACT®

PROJECT NAME:	TYPE:
---------------	-------

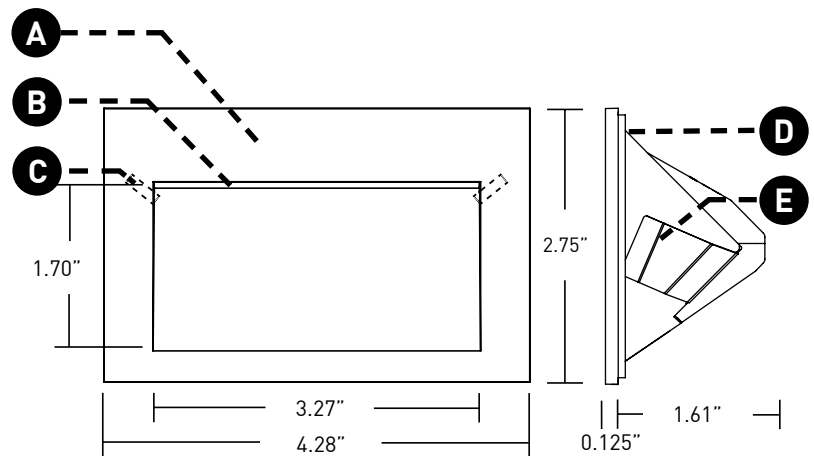


Low glare path lights lead the way through the out of doors, as built-ins or from freestanding bollards.

ORDERING INFORMATION AND DRAWINGS - FIXTURE

FIXTURE	RATING	FLANGE FINISH			CRI / WATTAGE PACKAGE	CCT
ISL2						
ISL2 Double Impact Steplight	1 Dry / Damp (Non-Locking) 2 Wet (Locking)	POWDER COAT FINISH WH White BK Black AG Satin Silver AB Architectural Bronze CF Custom Finish* *(Consult Factory)	NATURAL FINISH IG Industrial Gray SS Brushed Stainless Steel BR Brushed Bronze NB Natural Bronze	PLATED FINISH CH Chrome* *(Increased lead time) PB Polished Oil-Rubbed Bronze* *(Increased lead time, not available for wet location) MB Matte Oil-Rubbed Bronze* *(Increased lead time, not available for wet location)	90L07B 90+ CRI, 6.9 Watts ISL2 Delivered Lumens - 242	27 2700K 30 3000K 35 3500K 40 4000K CC Custom Color (gel)* Color Temp: _____ K *(Custom gels assigned unique suffix upon receipt of order. Contact Product Support for guidance.)

- A LED**
Regressed DC LED with slot aperture for glare-free, energy-efficient path and step lighting; suitable for dry / damp or wet applications. Dimming by power supply.
- B MEDIA**
Provided with sealed polycarbonate linear diffusion lens; consult factory for availability of color gels, which may achieve custom color temperatures.
- C LOCKING**
Discreetly hidden tamper-resistant set screws. Included with IP65 Wet location luminaire.
- D GASKET**
Foam gasket provided. Required for IP65 wet location applications only.
- E RETENTION**
Torsion spring clips secure fixture into back box, mounting plate, or appropriately sized cut-out.

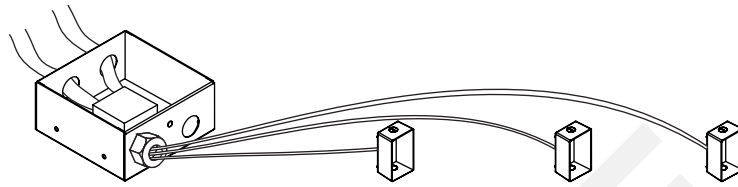


- Available with Bollard mounting, please visit [WEBSITE](#) for additional information.
- Stealth SSL1 and Impact ISL1 pathlights available, please visit [WEBSITE](#) for additional information.

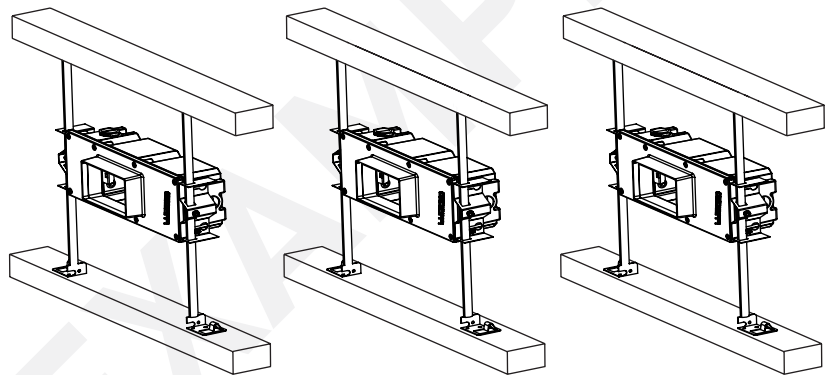
PATHLIGHTS DOUBLE IMPACT

SPECIFICATION GUIDE - EXAMPLES

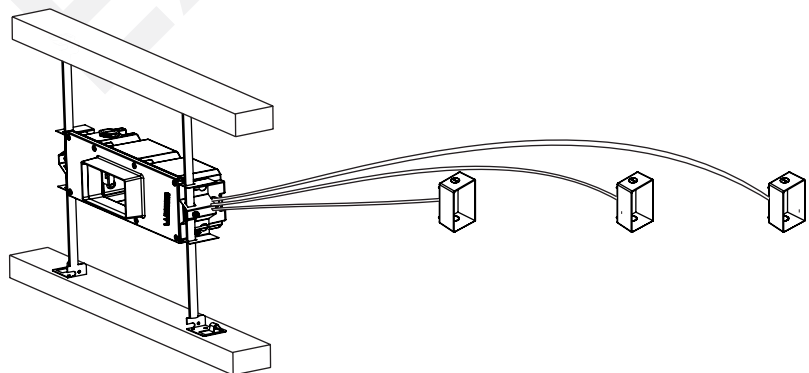
THREE FIXTURES WITH REMOTE POWER SUPPLY	
PART NUMBER	QTY.
ISL2-1-AB-90L07B2	3
SSL-2-BB	3
PSA-24V-60-XXXX	1



THREE FIXTURES WITH INTEGRAL POWER SUPPLIES	
PART NUMBER	QTY.
ISL2-1-AB-90L07B2	3
UBB-SL2-24V-60-XXXX-HGR	3



ONE FIXTURE WITH INTEGRAL POWER SUPPLY, POWERING THREE REMOTE MOUNTED FIXTURES	
PART NUMBER	QTY.
ISL2-1-AB-90L07B2	4
UBB-SL2-24V-60-XXXX-HGR	1
SSL-2-BB	3



*Quantities given are for the purposes of the examples only, max quantity of fixtures per power supply varies.

PATHLIGHTS DOUBLE IMPACT

MOUNTING OPTIONS FOR REMOTE POWER SUPPLY - SELECT ONLY ONE PER FIXTURE

Fixture Qty. _____

WET, DRY / DAMP OR CONCRETE POUR LOCATION

QTY.

SSL-2-BB

Back Box equipped with SSL-2-MP mounting plate and gasket. Typically used in wet and concrete pour applications. Features 1/2" knockouts.

SSL-2-BB-(1.50 / 1.75 / 2.00 / 2.50 / 3.00)

Back Box equipped with SSL-2-MP-X.XX mounting plate and gasket; specify preferred depth. Typically used in wet and concrete pour locations. Features 1/2" knockouts.

UBB-SL2-FL-LVF-(BKT / HGR)

Universal Back Box, wet location and concrete pour rated. Specified with remote power supply and features secondary output capacity, simplifying wiring practices and reducing budgets. Supplied with mounting hardware, specify "-HGR" or "-BKT". Shown with hanger bars (-HGR). Hanger bars adjust from 14" to 24" for standard joist spacing. Brackets, universal stainless steel mounting flange.

WET OR DRY / DAMP LOCATION

QTY.

SSL-2-MP

Mounting Plate typically used with two-gang switch box for dry / damp locations. May be used with customer-furnished two-gang weatherproof box and factory supplied gasket for wet and concrete pour locations.

SSL-2-MP-(1.50 / 1.75 / 2.00 / 2.50 / 3.00)

Mounting Plate includes gasket and features an extended collar for two-gang weatherproof box; specify preferred depth. Typically for wet and concrete pour locations.

SSL-2-SMB-(finish)

Surface Mounting Box for interior or exterior applications, providing flush mount of luminaire. Receives secondary wiring through back of box. Powder coat finishes only.

DRY / DAMP LOCATION ONLY

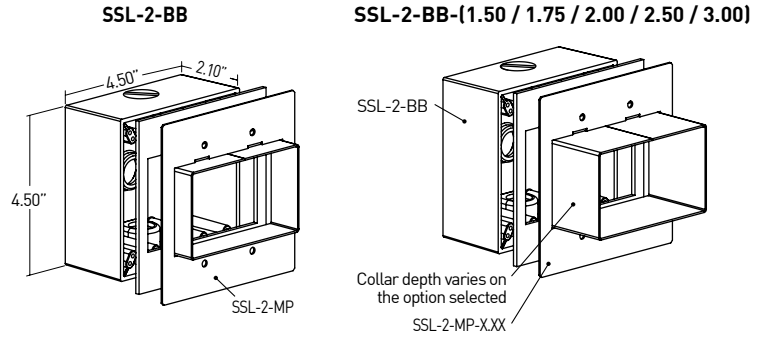
QTY.

SSL-2-RM

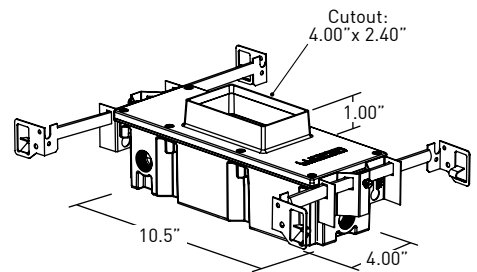
Remodel Mount collar for installing fixture into drywall / plasterboard. Requires Class 2 power supply.

SSL-2-CC

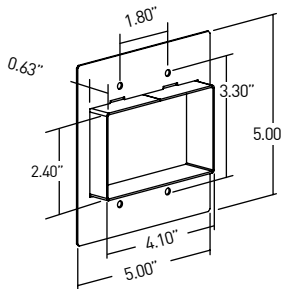
Cavity Collar for installing fixture into cavity or bore. Requires Class 2 power supply.



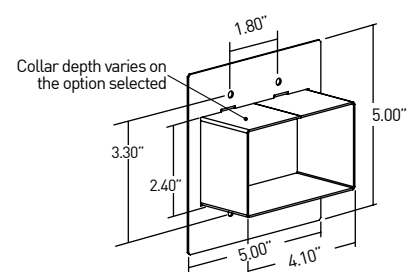
UBB-SL2-FL-LVF-(BKT / HGR)



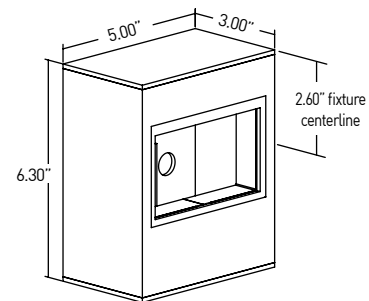
SSL-2-MP



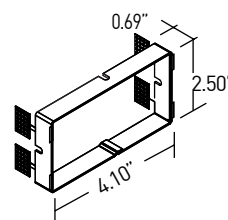
SSL-2-MP-(1.50 / 1.75 / 2.00 / 2.50 / 3.00)



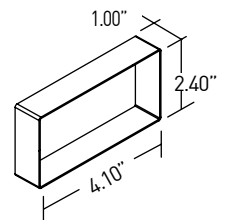
SSL-2-SMB-(finish)



SSL-2-RM



SSL-2-CC



PATHLIGHTS DOUBLE IMPACT

MOUNTING OPTION WITH INTEGRAL POWER SUPPLY - SELECT ONLY ONE PER FIXTURE

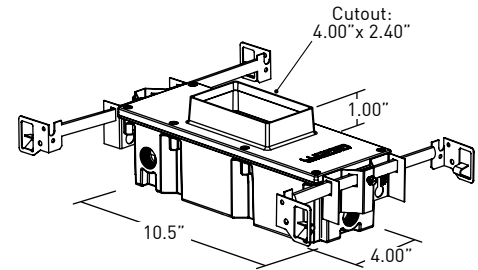
WET, DRY / DAMP LOCATION, OR CONCRETE POUR LOCATION

	VOLTAGE	POWERSUPPLY	ATTACHMENT
UBB-SL2-24V-60			
UNIVERSAL BACK BOX 1.00" COLLAR 24 VOLT OUTPUT 60 WATT	1 120 VAC 3 277 VAC	PH1 LTF Leading / Trailing edge (Supports 1 - 6 fixtures) *120 VAC ONLY AT2 LTF 0-10V Analog (Supports 1 - 6 fixtures)	HGR Hangar Bars BKT Brackets

UBB-SL2-24V-60-XAT2-(BKT / HGR)

Universal Back Box, wet location and concrete pour rated. Specified with integral power supply and features secondary output capacity, simplifying wiring practices and reducing budgets. Supplied with mounting hardware, specify "-HGR" or "-BKT". Shown with hanger bars (-HGR). Hanger bars adjust from 14" to 24" for standard joist spacing. Brackets, universal stainless steel mounting flange.

UBB-SL2-24V-60-XXXX-(BKT / HGR)



REMOTE POWER SUPPLY OPTIONS

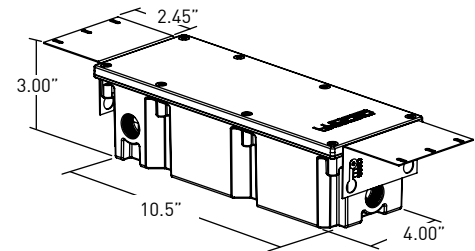
WET, DRY / DAMP LOCATION, OR CONCRETE POUR LOCATION

	VOLTAGE	POWERSUPPLY	ATTACHMENT
UBB-JCT-24V-60			
JUNCTION BOX 24 VOLT OUTPUT 60 WATT	1 120 VAC 3 277 VAC	PH1 LTF Leading / Trailing edge (Supports 1 - 6 fixtures) *120 VAC ONLY AT2 LTF 0-10V Analog (Supports 1 - 6 fixtures)	HGR Hangar Bars BKT Brackets

UBB-JCT-24V-60-XXXX-(BKT / HGR)

Universal Junction Box, wet location and concrete pour rated. Specified as a remote power supply and features secondary output capacity, simplifying wiring practices and reducing budgets. Supplied with "-HGR" or "-BKT" mounting hardware, shown with Bracket (-BKT). Hanger bars adjust from 14" to 24" for standard joist spacing. Brackets, universal stainless steel mounting flange.

UBB-JCT-24V-60-XXXX-(BKT / HGR)



DRY / DAMP LOCATION

	POWERSUPPLY
PSA-24V	
POWER SUPPLY ASSEMBLY 24 VOLT OUTPUT	40-1L22 40 Watt, 120VAC, Lutron 2-Wire, Forward Phase (supports 1 - 5 fixtures) 60-1PH1 60 Watt, 120VAC, LTF Leading / Trailing edge (supports 1 - 6 fixtures) 60-1AT2 60 Watt, 120VAC, LTF 0-10V Analog (supports 1 - 6 fixtures) 60-3AT2 60 Watt, 277VAC, LTF 0-10V Analog (supports 1 - 6 fixtures) 66-UEX2 66 Watt, 120 - 277VAC, eldoLED LINEARdrive, DMX (supports 1 - 9 fixtures) 66-UED3 66 Watt, 120 - 277VAC, eldoLED LINEARdrive, DALI (supports 1 - 9 fixtures) 96-ULP1 96 Watt, 120 - 277VAC, Hi-lume Premier, EcoSystem / 3-wire (supports 1 - 13 fixtures)

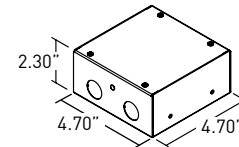
PSA-24V-XX-XXXX

Hardwire Class 2 power supply, consists of a steel compartment and lid painted black with integral conventional electronic power supply. Wired in either a homerun or parallel method.

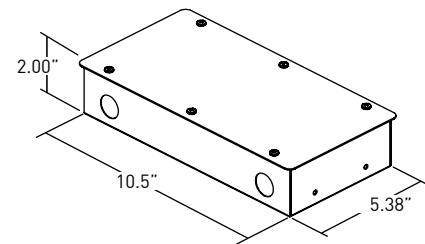
FOLLOWING POWER SUPPLY FOR DEMONSTRATION AND SAMPLING PURPOSES ONLY. NOT FOR PERMANENT INSTALLATIONS.

- PSA-24V-25-1EL2** Plug-in 120V Class 2 power supply (Supports 1 fixture)

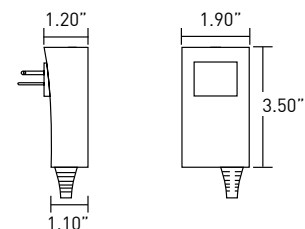
PSA USED FOR PH1 & AT2



PSA USED FOR L22, EX2, ED3 & LP1



PSA-24V-25-1EL2



PATHLIGHTS DOUBLE IMPACT

TECHNICAL

CONSTRUCTION

Stealth: Cast 316 stainless steel or brass, depending on finish.

Mounting Plates and Mounting Collars: Stainless Steel.

Single-gang Weatherproof Box: Aluminum.

Surface Mount Box: Aluminum.

Universal Back Box: Polycarbonate.

LED

Proprietary 2 step MacAdam ellipse LED module available with 90+ CRI in color temperatures of 2700K, 3000K, 3500K and 4000K. Average rated lamp life: 50,000 hours.

POWER SUPPLY PERFORMANCE AND DIMMING INFORMATION

Power Supply	PH1	AT2	L22	LP1	EX2	ED3
Minimum °C	-20 °C	-20 °C	0 °C	0 °C	-20 °C	-20 °C
Maximum °C	50 °C	50 °C	40 °C	40 °C	50 °C	50 °C
Dimming %	10.0%	10.0%	1.0%	0.1%	0%	0%

Note: For L22 and LP1 drivers consult chart on page 5 to confirm appropriate dimming curve for compatibility with selected control.

RECOMMENDED SPACING

Optimum 18" (457mm) above walking surface; 60" (1524mm) on-center spacing.

ELECTRICAL

Luminaire requires factory-supplied 24-Volt DC power supply. May be integral to back box or remote. Secondary run lengths vary depending on power supply specified.

DRIVER	WIRE AWG				
	12	14	16	18	20
PH1, AT2	75'	60'	50'	40'	-
L22, LP1	60'	40'	25'	15'	-
EX2, ED3	-	-	118'	72'	45'

LISTING

cTUVus Listed; Dark-Sky Compliant; Patent No. US D610,734 S; Dry / Damp (IP54 rated) and Wet (IP65 rated) location. NEMA 410 compliant.

WARRANTY

Manufacturer's 1-year warranty guarantees product(s) listed to be free from defects in material and workmanship under normal use and service. 5-year warranty on LED and power supply to operate with 70% of the original flux and remain within a range of 3 duv. Warranty period begins from the date of shipment by Seller. Consult website for full warranty terms and conditions.

CHANGE LOG

1.07/05/2022: ADDED PH1 LEADING / TRAILING EDGE DRIVER, AND UPDATED AT2 DRIVER TO 0-10V ONLY.

2.6/12/2023: ADDED 90 CRI WATTAGE PACKAGE

PATHLIGHTS DOUBLE IMPACT

LUTRON DIMMING COMPATIBILITY

Power supply L22 Product Family	Part No.	Drivers Per Control (120V only)
Maestro WirelessR 1000 W dimmer	MRF2-10ND-120-	1-13
Caséta® Wireless Pro 1000 W dimmer	PD-10NXD-	1-13
GRAFIK T™ CL® dimmer	GT-250M-, GTJ-250M-	1-10
HomeWorks® QS adaptive dimmer	HQRD-6NA-	1-8
HomeWorks® QS 600 W dimmer	HQRD-6ND-	1-8
HomeWorks® QS 1000 W dimmer	HQRD-10ND-	1-13
RadioRA® 2 adaptive dimmer	RRD-6NA-	1-8
RadioRA® 2 1000 W dimmer	RRD-10ND	1-13
myRoom™ DIN power module	MQSE-4A1-D	1-6 (per output), 1A max driver input current
HomeWorks® QS DIN power module	LQSE-4A1-D	1-6 (per output), 1A max driver input current
HomeWorks® QS wallbox power module	HQRJ-WPM-6D-120	2-10 (per output), 26 total per module
HomeWorks® wallbox power module	HWI-WPM-6D-120	2-10 (per output), 26 total per module
GRAFIK Eye® QS control unit	QSGR-, QSGRJ-	2-10 (per output), 26 total per module
GRAFIK Eye® 3000 control unit	GRX-3100-, GRX-3500-	2-10 (per output), 26 total per module
RPM-4U module (LCP, HomeWorks® QS, GRAFIK Systems™, Quantum®)	HW-RPM-4U-120, LP-RPM-4U-120	2-26 (per output), 26 total per module
RPM-4A module (LCP, HomeWorks® QS, GRAFIK Systems™, Quantum®)	HW-RPM-4A-120, LP-RPM-4A-120	1-13 (per output), 26 total per module
GP dimming panels	Various	1-26
Ariadni CL 250W dimmer	AYCL-253P-	1-8
Diva CL 250W dimmer	DVCL-253P- DCSCCL-253P-	1-8
Nova T CL 250W dimmer	NTCL-250-	1-10

Power supply LP1 Product Family	120V Part No.	277V Part No.	Drivers per Control	
			120V	277V
NovaT®	NTF-10-	NTF-10-277-	1 - 16	1-19
	NTF-103P-	NTF-103P-277-	1-8	1-14
Nova®	NF-10-	NF-10-277-	1-8	1-19
	NF-103P-	NF-103P-277-	1-8	1-14
Skylark®	SF-10P-	SF-12P-277-	1-8	1-14
	SF-103P-	SF-12P-277-3	1-8	1-14
Diva®	DVF-103P-	DVF-103P-277-	1-8	1-14
	DVSCF-103P-	DVSCF-103P-277-	1-8	1-14
Ariadni®	AYF-103P-	AYF-103P-277-	1-6	1-14
Maestro®	MAF-6AM-	MAF-6AM-277-	1-6	1-14
	MSCF-6AM-	MSCF-6AM-277-	1-6	1-14
Maestro Wireless®	MRF2-F6AN-DV-		1-6	1-14
RadioRA® 2	RRD-F6AN-DV-		1-6	1-14
HomeWorks® QS	HQRD-F6AN-DV		1-6	1-14
Interfaces	PHPM-3F-120	-	1-16	-
	PHPM-3F-DV		1-16	1-38
	BCI-0-10		1-16	1-38
GP Dimming Panels	Various		1-16	1-38
PowPak™ with EcoSystem	RMJ-ECO32-DV-B		32 per EcoSystem link	
	URMJ-ECO32-DVB		32 per EcoSystem link	
	FCJ-ECO		3 per EcoSystem link	
Energi Savr Node™ with EcoSystem	QSN-1ECO-S, QSN-2ECO-S, QSN-2ECO-PS120, UQSN-1ECO-S, UQSN-2ECO-S		64 per EcoSystem link	
GRAFIK Eye® QS with EcoSystem	QSGRJ-_E QSGR-_E	-	64 per EcoSystem link	
HomeWorks® QS with EcoSystem	LQSE-2ECO-D, QSGRJ-_E, QSGR-_E		64 per EcoSystem link	
Quantum®	QP2-_P_C		64 per EcoSystem link	