

STELLR® PENDANT

PROJECT NAME:	TYPE:
---------------	-------

Organic shape and minimalist form conceals the mechanics of this high-performance luminaire, offering both volumetric and directional lighting with two light sources and infinite control options of multi-layered illumination.



ORDERING INFORMATION



JA8-2019 INDICATED BY SHADING

SERIES	CANOPY TYPE	BODY COLOR	CANOPY COLOR	CABLE COLOR	DOWNLIGHT LUMEN PACKAGE	WAVEGUIDE LUMEN PACKAGE	OPTIC	EFFECTS DEVICE	DRIVER	MOUNTING		
S2												
S2 STELLR Medium 10.2"	SURFACE CANOPY P096 8' P192 16'	WH White	WH White	B Black Power Cable	STATIC WHITE	STATIC WHITE	15 15°	STANDARD EFFECTS DEVICE	INTEGRAL	J Standard, J-Box Surface Mounting Plate		
		BK Black	BK Black	W White Power Cable	8027 80+ CRI, 2700K Dlvd. Lumens - 1539	8027 80+ CRI, 2700K Dlvd. Lumens - 728	35 35°	0 No Lens			PH ELV/TRIAC, 1% 120V* *(Sources dim independently; requires independent line voltage)	EG eldoLED, SOLOdrive 0.1% 0-10V, 120-277V, LOG* *(Sources dim together)
		AU Cashmere Gold	AU Cashmere Gold		8030 80+ CRI, 3000K Dlvd. Lumens - 1600	8030 80+ CRI, 3000K Dlvd. Lumens - 794		OPTIONAL EFFECTS DEVICE			SG 0-10V Analog, 120 or 277V LOG* *(Sources dim independently; requires independent control lines)	EN eldoLED, SOLOdrive 0.1% 0-10V, 120-277V, LIN* *(Sources dim together)
		AG Satin Silver	AG Satin Silver		8035 80+ CRI, 3500K Dlvd. Lumens - 1616	8035 80+ CRI, 3500K Dlvd. Lumens - 794		2 Honeycomb Louver				
		CF Custom Finish* *(Consult Factory)	CF Custom Finish* *(Consult Factory)		8040 80+ CRI, 4000K Dlvd. Lumens - 1632	8040 80+ CRI, 4000K Dlvd. Lumens - 825		3 Clear Glass Lens				
					9027 90+ CRI, 2700K Dlvd. Lumens - 1315	9027 90+ CRI, 2700K Dlvd. Lumens - 656		4 Soft Focus Lens				
					9030 90+ CRI, 3000K Dlvd. Lumens - 1368	9030 90+ CRI, 3000K Dlvd. Lumens - 715						
					9035 90+ CRI, 3500K Dlvd. Lumens - 1381	9035 90+ CRI, 3500K Dlvd. Lumens - 715						
					9040 90+ CRI, 4000K Dlvd. Lumens - 1395	9040 90+ CRI, 4000K Dlvd. Lumens - 744						
					WARM DIM	WARM DIM						
					90WD 90+ CRI, 3200K - 1800K Dlvd. Lumens - 1018* *(Not available with PH Driver)	90WD 90+ CRI, 3200K - 1800K Dlvd. Lumens - 699* *(Not available with PH Driver)						
					* DELIVERED LUMEN VALUES REFLECT USE OF THE 35 DEGREE OPTIC AND NO LENS	* DELIVERED LUMEN VALUES REFLECT USE OF THE 35 DEGREE OPTIC AND NO LENS						
								SN 0-10V Analog, 120 or 277V LIN* *(Sources dim independently; requires independent control lines)	DD eldoLED, DUALdrive 0.1% DALI, 120-277V, LOG* *(Sources dim independently)			
									REMOTE			
								TR ELV/TRIAC, 2% 120V* *(Sources dim independently; requires independent line voltage)	LP Lutron, Hi-Lume Premier Ecosystem 0.1% Fade to Black, 120 or 277V* *(Sources dim independently, requires independent secondary wiring)			
								L2 Lutron, Hi-Lume 1% 2-wire* *(Sources dim independently; requires independent line voltage)				

*FOR CABLE
LENGTHS OVER
16' CONSULT
FACTORY. ALL
LENGTHS ARE
FIELD-CUTTABLE



PART NUMBER NOTES

- STELLR ships as e.g., S2P096-WHBKW-9MA28MA2-352-DD*J
- Optional remote drivers ship as e.g., PS-S2-RMT-9MAX8MAX-LP*
- CMJB ships as S2L-CMJB-{finish}

STELLR PENDANT

ACCESSORIES

ALTERNATE EFFECTS DEVICES

- HCL-S2-01** Honeycomb Louver
- CGL-S2-01** Clear Glass Lens
- SFL-S2-01** Soft Focus Lens

REPLACEMENT OPTIC ASSEMBLIES

- RO-S2-15** 15° optic
- RO-S2-35** 35° optic
- RO-S2-55** 55° optic

EMERGENCY LIGHTING - REMOTE MOUNT ONLY

- EMB-S-20/25-120/277-LEDX** 20/25 watt max capacity, 120 or 277 VAC 60Hz, Non-Dimmable
 - EMB-S-100-120-LEDX** 100 watt max capacity, 120 VAC 60Hz, Dimmable
 - EMB-S-100-277-LEDX** 100 watt max capacity, 277 VAC 60Hz, Dimmable
 - EMB-S-250-120/277-LEDX** 250 watt max capacity, 120 or 277 VAC 60Hz, Dimmable
- During disruption of main power, emergency battery inverter provides temporary 120V or 277V to fixture.

DOWNLIGHT PERFORMANCE - 3000K

LUMEN PACKAGE	WATTAGE	15° OPTIC / NO LENS		35° OPTIC / NO LENS		55° OPTIC / NO LENS		15° OPTIC / HCL		35° OPTIC / HCL		55° OPTIC / HCL	
		DELIVERED	LPW	DELIVERED	LPW	DELIVERED	LPW	DELIVERED	LPW	DELIVERED	LPW	DELIVERED	LPW
8030	17	1494	87	1600	93	1683	98	1210	70	1200	70	1212	71
9030	17	1277	74	1368	80	1438	84	1034	60	1026	60	1035	60
90WD	14	966	69	1018	73	1169	84	782	56	764	55	842	60

STATIC WHITE OUTPUT MULTIPLIER	
CCT	CCT SCALE
2700K	0.960
3000K	1.000
3500K	1.014
4000K	1.015

LIGHT LOSS FACTOR MULTIPLIER	
No Lens	Multiplier
CGL	1.00
SFL	0.95
HCL	0.60

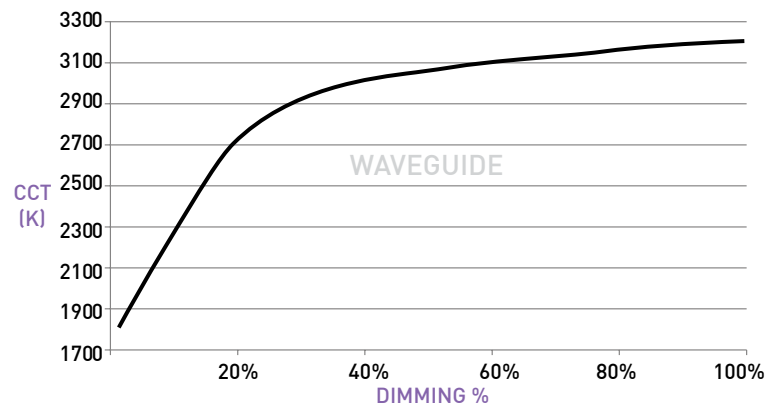
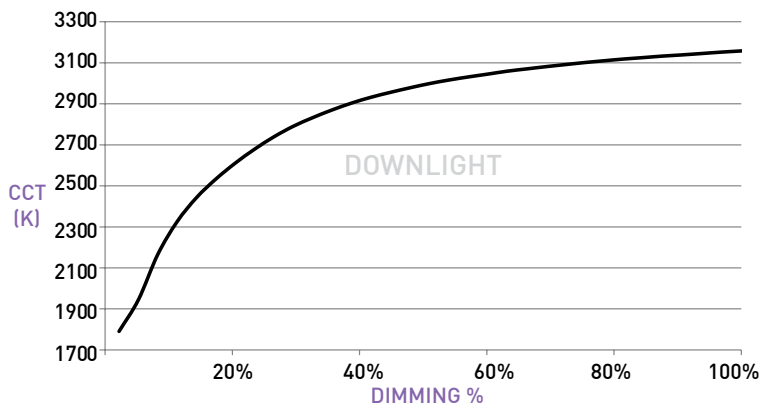
WAVEGUIDE PERFORMANCE

LUMEN PACKAGE	WATTAGE	2700K		3000K		3500K		4000K	
		DELIVERED	LPW	DELIVERED	LPW	DELIVERED	LPW	DELIVERED	LPW
80	14	728	53	794	58	794	58	825	64
90	14	656	48	715	52	715	52	744	54
90WD	14	-	-	699	51	-	-	-	-

WARM DIM PERFORMANCE

DOWNLIGHT - 35° OPTIC / NO LENS	Full on 100%	Dimmed to 80%	Dimmed to 70%	Dimmed to 50%	Dimmed to 20%	Dimmed to 10%	Dimmed to 2%
CCT (K)	3200	3150	3100	3000	2700	2200	1800
Light Output (Lm)	1010	814	713	509	204	102	20
Power (W)	14	11	10	7	3	1.4	0.3
Efficacy (LPW)	73	73	73	73	73	73	73

WAVEGUIDE	Full on 100%	Dimmed to 80%	Dimmed to 70%	Dimmed to 50%	Dimmed to 20%	Dimmed to 10%	Dimmed to 2%
CCT (K)	3200	3150	3100	3050	2700	2200	1800
Light Output (Lm)	699	559	489	350	140	70	14
Power (W)	14	13	12	9	3	1.7	0.3
Efficacy (LPW)	51	51	51	51	51	51	51

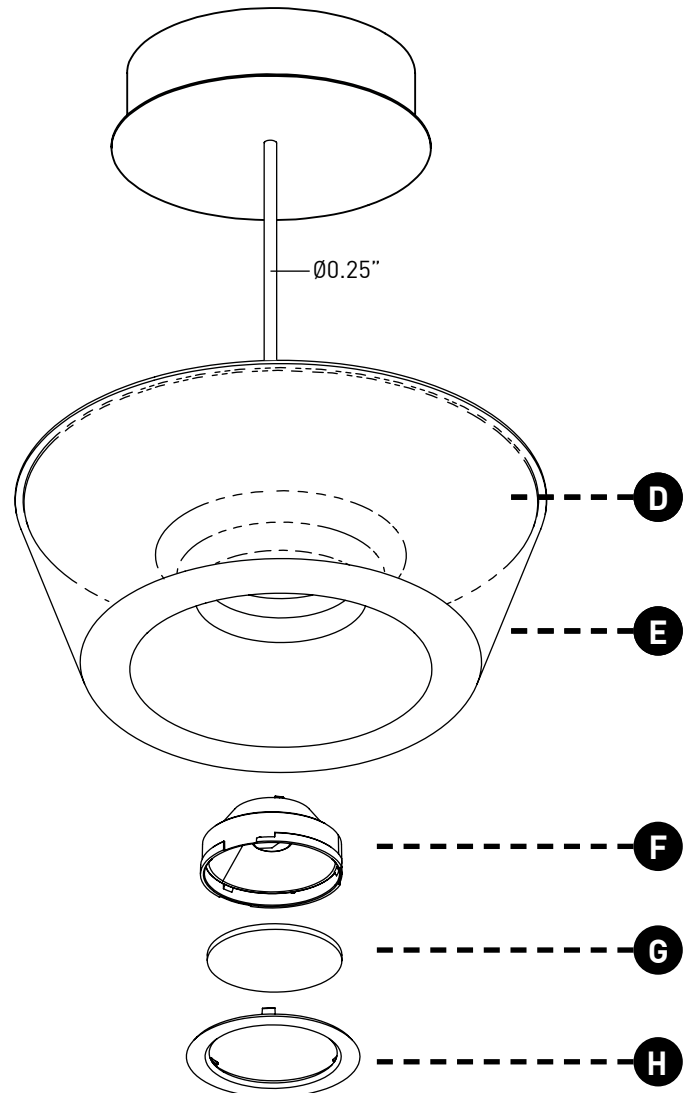
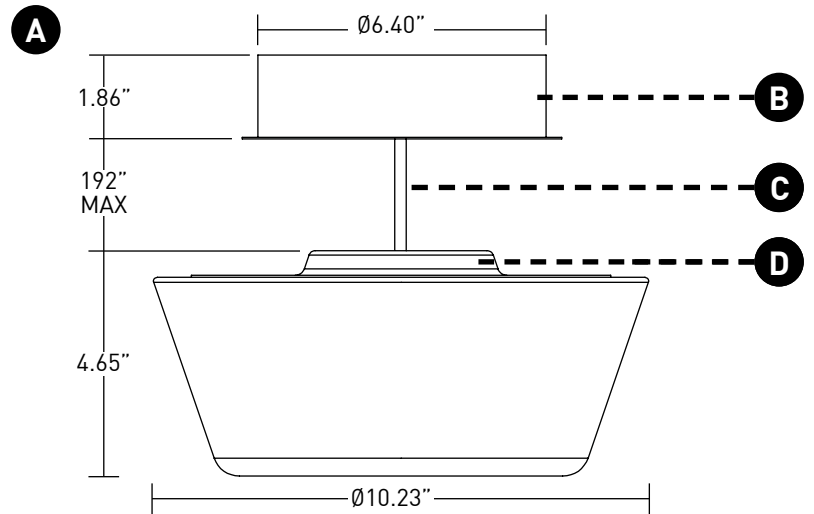


STELLR PENDANT

FIXTURE

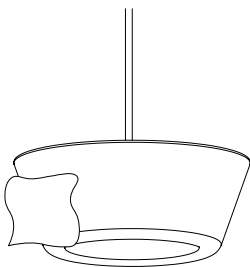
- A LUMINAIRE**
Body with integrated heat sink and LED assemblies. Power supplies may be integral or remote mount.
- B CANOPY**
Conceals hidden twist-on mounting hardware and houses integral driver assemblies. Available in powdercoat finishes.
- C CABLE**
Available in lengths up to 192" maximum, cable is field cuttable, consult factory for lengths greater than 192". Available in black and white finishes.
- D BODY**
Available in powdercoat finishes.
- E WAVEGUIDE**
Transmits light creating illumination effect. Ships with protective cover installed.
- F OPTIC**
Field-changeable optics available in 15°, 35°, & 55° beams.
- G EFFECTS DEVICE**
Media is field-changeable.
- H LENS RETAINER**
Attaches to optic assembly and accommodates one effects device. Finish will match body color. Consult factory if alternate finish requested.

DIMENSIONS / DRAWINGS



CLEANING INSTRUCTIONS

Factory recommends cleaning waveguide assembly with a microfiber cloth or similar non-abrasive cloth. In most cases a damp microfiber cloth will remove dust/debris or fingerprints. For stubborn stains, approved cleaning agents include soap and water, or ammonia based cleaners.

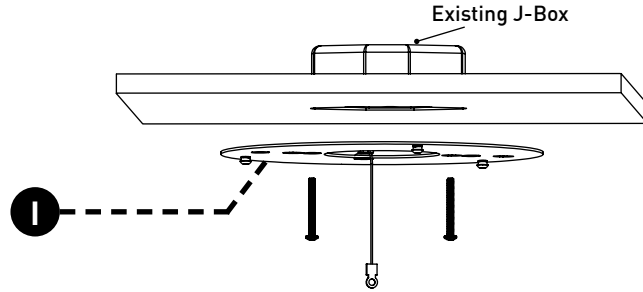


STELLR PENDANT

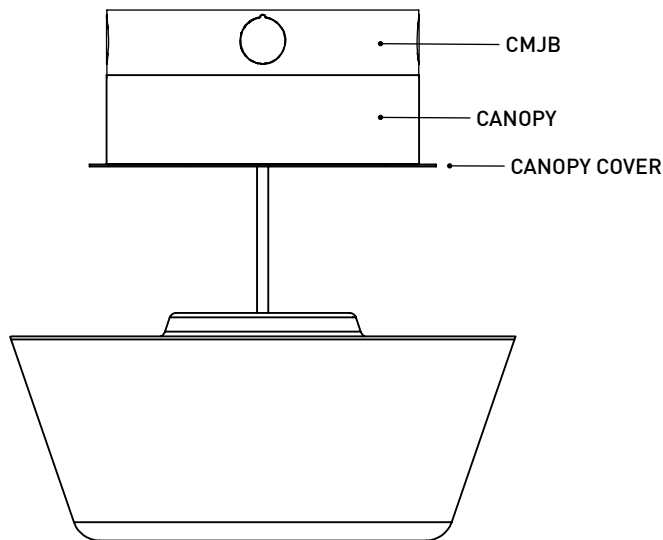
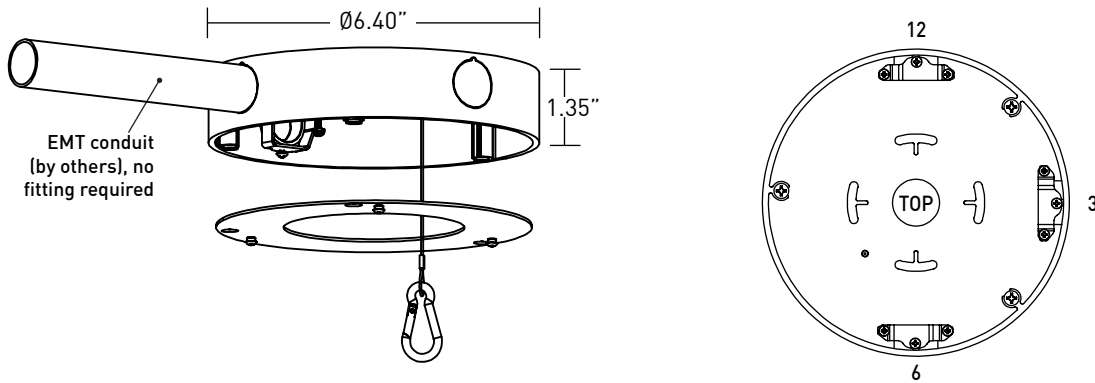
MOUNTING

- I MOUNTING PLATE**
Mounting adapter (concealed) for standard 3/0, 4/0 and 4" Square j-boxes. Surface mounted, does not require installation prior to rough-in. Fixture mounts flush with minimalist transition to ceiling.
- J CMJB**
Ceiling mount junction box provides integrated look where exposed ceiling mount junction box and conduit applications apply. For use with 1/2" and 3/4" EMT conduit only. Features three conduit entrances at 12, 3, and 6 o'clock plus one conduit knockout on top. Painted finishes only. Blank off plugs included.

DIMENSIONS / DRAWINGS



J



STELLR PENDANT

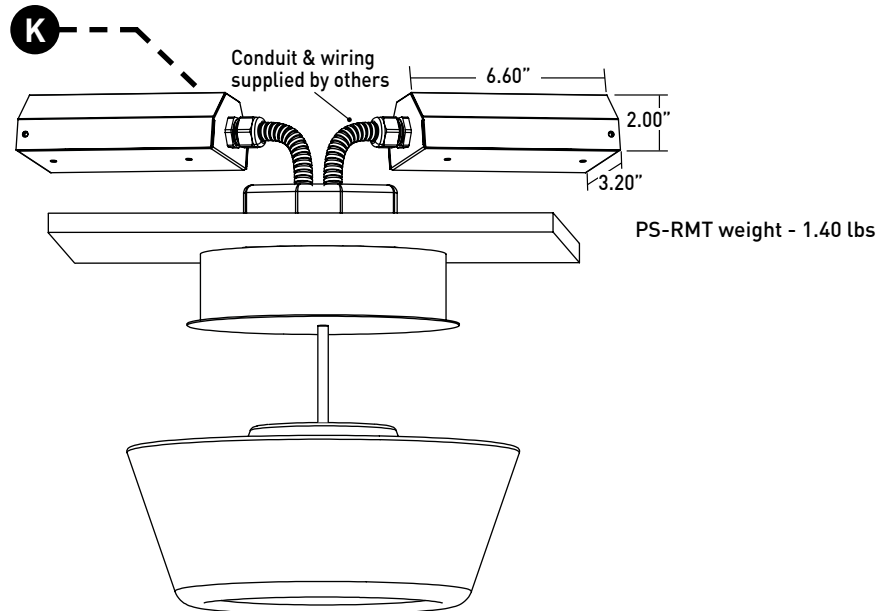
REMOTE POWER SUPPLY

DIMENSIONS / DRAWINGS



PS-RMT

Remote power supply provides additional driver options; requires two power supplies. Mounting device still required. Consult install guide for maximum allowable secondary run lengths between PS-RMT and fixture. Must be installed in an accessible location.



FIXTURE CONTROL INFORMATION

DRIVER	DRIVER QUANTITY	SOURCES DIM INDEPENDENTLY OR TOGETHER	SOURCES DIM TOGETHER ONLY	WIRING REQUIREMENTS
PH	2	X		For independent control, two switch-legs required.
TR	2	X		For independent control, two switch-legs required.
L2	2	X		For independent control, two switch-legs required.
SG	2	X		For independent control, two switch-legs and two 0-10V control leads required.
SN	2	X		For independent control, two switch-legs and two 0-10V control leads required.
LP	2	X		For independent control, two EcoSystem addresses required.
DD	1	X		For independent control, two DALI addresses required.
EG	1		X	Single switch-leg and 0-10V control leads required.
EN	1		X	Single switch-leg and 0-10V control leads required.

STELLR PENDANT

TECHNICAL

CONSTRUCTION

Fixture: Machined aluminum canopy and spun reflector; die-cast aluminum heat-sink; painted finishes are granulated powder coat.

CMJB: Machined aluminum body; painted finishes are granulated powder coat.

Remote Power Supply: 22 Gauge galvanized steel.

LED

Proprietary 2 step MacAdam ellipse LED modules available in 80+ and 90+ CRI configurations in color temperatures of 2700K, 3000K, 3500K and 4000K. Average rated lamp life of 50,000 hours. Driver assemblies are field-replaceable.

WARM DIM LED

Proprietary 3-step MacAdam ellipse warm dim LED modules available in 90+ CRI configuration. 3200K at full brightness, warming to 1800K at full dim. Average rated lamp life of 50,000 hours. Driver assemblies are field-replaceable.

POWER SUPPLY PERFORMANCE AND DIMMING INFORMATION

Power Supply	PH	SG	SN	DD	EG	EN	TR	L2	LP
Minimum °C	-10 °C	-10 °C	-10 °C	-20 °C	-20 °C	-20 °C	-20 °C	0 °C	0 °C
Maximum °C	25 °C	25 °C	25 °C	25 °C	25 °C	25 °C	25 °C	25 °C	25 °C
Dimming %	1.0%	1.0%	1.0%	0.1%	0.1%	0.1%	2.0%	1.0%	0.1%

MOUNTING

Fixture is supplied with a mounting adapter, which integrates with standard 3/0, 4/0 and 4" Square junction boxes.

LISTING

cTUVus listed to UL1598 standard for Dry / Damp locations. JA8-2019 Title 24 listed.

WARRANTY

Manufacturer's 1-year warranty guarantees product(s) listed to be free from defects in material and workmanship under normal use and service. 5-year warranty on LED and power supply to operate with 70% of the original flux and remain within a range of 3 duv. 10-year Lutron Advantage limited warranty available on Lutron equipped systems. Warranty period begins from the date of shipment by Seller and conditional upon the use of manufacturer-supplied power supply. Consult [website](#) for full warranty terms and conditions.

CHANGE LOG

1. 10/16/2020: ADDED "L" LARGE CMJB OPTION.

STELLR PENDANT

DRIVE CURRENT SPECIFICS

DOWNLIGHT

	80C	90C	90W
	20A	17A	13A
Minimum Vf	30.5	30.5	30.5
Maximum Vf	39	39	39
Current mA	425	425	350
Wattage W	14.6	14.6	11.8

WAVEGUIDE

	80C	90C	90W
Minimum Vf	30.5	30.5	30.5
Maximum Vf	39	39	39
Current mA	350	350	350
Wattage W	11.8	11.8	11.8