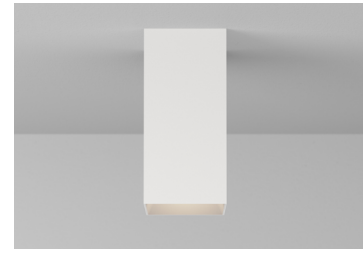


SQUILINDER® LVS FIXED SURFACE MOUNT

A modern update to a timeless form, this award-winning, fresh-faced classic offers sleek geometry, field-changeable optics, and endless adjustability.

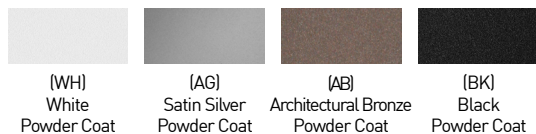
PROJECT NAME:	TYPE:
---------------	-------



ORDERING INFORMATION - SQUILINDER

Quick Ship Product. All rough in components ship within 10 days up to quantities of 100.

SQUILINDER	FIXTURE	RATING	SQUILINDER FINISH	BAFFLE FINISH	CRI / WATTAGE PACKAGE	CCT	OPTIC (UGR)	DRIVER	MEDIA	MOUNTING
SQ2		1						LVS		
SQ2 3.13"	FB Fixed Body WW Wallwash Unibody	1 Dry/Damp	WH White AG Satin Silver* *(Increased lead time) AB Architectural Bronze* *(Increased lead time) BK Black CF Custom Finish* *(Consult Factory)	WH White AG Satin Silver* *(Increased lead time) AB Architectural Bronze* *(Increased lead time) BK Black CF Custom Finish* *(Consult Factory)	STATIC WHITE 80S11A 80+ CRI, 11 Watts Divd. Lumens - 1278 80S17A 80+ CRI, 17 Watts Divd. Lumens - 1960 80S23A 80+ CRI, 23 Watts Divd. Lumens - 2541 90S11A 90+ CRI, 11 Watts Divd. Lumens - 1098 90S17A 90+ CRI, 17 Watts Divd. Lumens - 1684 90S23A 90+ CRI, 23 Watts Divd. Lumens - 2183 97S11A 97+ CRI, 11 Watts Divd. Lumens - 964 97S17A 97+ CRI, 17 Watts Divd. Lumens - 1479 97S23A 97+ CRI, 23 Watts Divd. Lumens - 1917 WARM DIM 90W18A 90+ CRI, 18 Watts Incandescent Profile Divd. Lumens - 1153 Standard Profile Divd. Lumens - 1130 *SEE PAGE 3 FOR DETAILED WARM DIM PROFILE COMPARISON. *ALL DELIVERED LUMEN OUTPUTS AND T24 COMPLIANCE REFLECT 3000K PAIRED WITH 20° OPTIC AND SOFT FOCUS LENS. REFERENCE PAGE 3 FOR ADDITIONAL T24 COMPLIANT CONFIGURATIONS.	27 2700K 30 3000K 35 3500K 40 4000K WL 2700K-1800K WD 3000K-1800K	10 10° >19 15 15° <16 20 20° <13 25 25° <16 40 40° <16 60 60° >19 WW Wallwash Optic*>19 *(Required for Wallwash fixtures) 20 20° <10 25 25° <10 40 40° <13 60 60° <16	LVS Low Voltage System	STANDARD MEDIA 40 Soft Focus Lens WW Wallwash Lens* *(Required for Wallwash fixtures) 00 No Lens* *(Standard for 10° optic. Not available for Warm Dim) ALTERNATE MEDIA 20 Honeycomb Louver* *(Not available for Warm Dim) 30 Clear Glass Lens* *(Not available for Warm Dim) 50 Frosted Glass Lens 60 Frosted Soft Focus Lens 70 Frosted Linear Spread Lens 50 Soft Focus Lens w/ Linear Spread Film CO Clear Glass Lens w/ Linear Spread Film	ROUGH-IN JBMP 4" Sq. or 4/0 Junction Box Mounting Plate FINISH OUT SMK3 3/0 Surface Mount Kit SMK4 4/0 Surface Mount Kit CMJB 1/2" and 3/4" Conduit Ceiling Mount Junction Box* *(Quick Ship Product for WH and BK finishes only)



PART NUMBER NOTES




- Fixed Body ships as e.g., SQ2-FB1-WHBK-90S17A2-30LVS40
- Wallwash ships as e.g., SQ2-WW1-WHBK-90S17A1-W0LVSW0
- Mounting ships separate from fixture, part numbers listed on page 7.

SQUILINDER LVS FIXED SURFACE MOUNT

APPLICATION NOTES

- Lucifer Lighting will not supply a fixture with a POE node or power supply inside the fixture. This allows for easier site install with nodes of 2 or more outputs.
- Consult node manufacturer for maximum remote wiring distances.
- Fixture features 18 Gauge wiring.
- Wiring connections are made on the fixture using customer supplied connectors, ex. wire nuts, push-in connectors, or terminal blocks.
- Confirm node compatibility with factory if it is not listed.
- Customers are responsible for ensuring POE node drive current is set to correct values shown below.
- Customers must ensure voltage range of the proposed POE node encompasses the fixtures complete Vf range, both maximum and minimum. If assistance is required contact LLC rep or factory.

NODE COMPATIBILITY

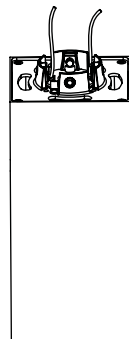
Manufacturer	Model Number
 Igor Enabling Smart Buildings™	NP50-60-C-F-5
 molex	180996-1001 180996-1002 180996-2001 180996-2002
 PLATFORMATICS	1 Channel Node, POE-LN2-1U-E 2 Channel Node, POE-LN2-2U-E 4 Channel Node, POE-LN2-4U-E

DRIVE CURRENT SPECIFICS

	80S			90S			97S			90W	
	11A	17A	23A	11A	17A	23A	11A	17A	23A	18AL	18AD
Minimum Vf	30.5	30.5	30.5	30.5	30.5	30.5	30.5	30.5	30.5	30.5	30.5
Maximum Vf	39	39	39	39	39	39	39	39	39	39	39
Current mA	250	400	550	250	400	550	250	400	550	400	400
Wattage W	8.2	13.6	19.4	8.2	13.6	19.4	8.2	13.6	19.4	13.6	13.6

	10 DEGREE OPTIC		
	80S17C	90S17C	97S17C
Minimum Vf	30.5	30.5	30.5
Maximum Vf	39	39	39
Current mA	400	400	400
Wattage W	13.6	13.6	13.6

WIRING DIAGRAM




LV CONSTANT
CURRENT SOURCE:

POE NODE OR
REMOTE DRIVER

(+) ————  ———— Red (+)

Class 2
Wiring

(-) ————  ———— Black (-)

SQUILINDER

SQUILINDER LVS FIXED SURFACE MOUNT

ACCESSORIES

ALTERNATE BAFFLE AND MEDIA

Includes baffle with sealed lens. Must specify baffle finish.

RBA-SQ2--HCL-2** Honeycomb Louver *

*(Not available for Warm Dim)

RBA-SQ2--CGL-2** Clear Glass Lens *

*(Not available for Warm Dim)

RBA-SQ2--SFL-2** Soft Focus Lens

RBA-SQ2--FGL-2** Frosted Glass Lens

RBA-SQ2--FSFL-2** Frosted Soft Focus Lens

RBA-SQ2--FLSL-2** Frosted Linear Spread Lens

RBA-SQ2--SFL-LSL-2** Soft Focus Lens W/ Linear Spread Film

RBA-SQ2--CGL-LSL-2** Clear Glass Lens W/ Linear Spread Film

** Baffle finish: Specify **WH** for white, **BK** for black, **AG** for satin silver or

AB for architectural bronze.

REPLACEMENT OPTICS

Interchangeable optics accessible through fixture aperture.

Static White

RO-50-15-S 15° optic

RO-50-20-S 20° optic

RO-50-25-S 25° optic

RO-50-40-S 40° optic

RO-50-60-S 60° optic

RO-50-WW-S Wallwash optic

Warm Dim

RO-50-20-W 20° optic

RO-50-25-W 25° optic

RO-50-40-W 40° optic

RO-50-60-W 60° optic

RO-50-WW-W Wallwash optic

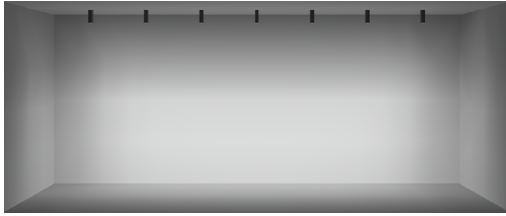
REPLACEMENT SUCTION TOOL

Included with each order (1 per 10 fixtures).

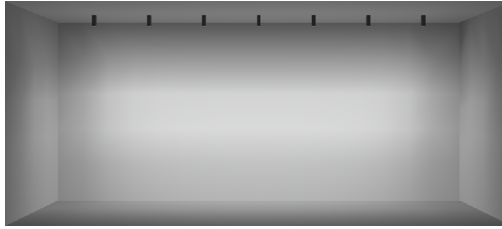
CY-SQ-TOOL-SUCTION Baffle assembly removal tool

SQUILINDER LVS FIXED SURFACE MOUNT

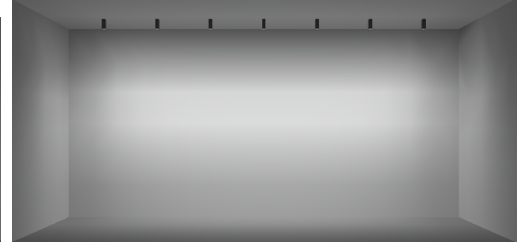
WALLWASH DESIGN GUIDE



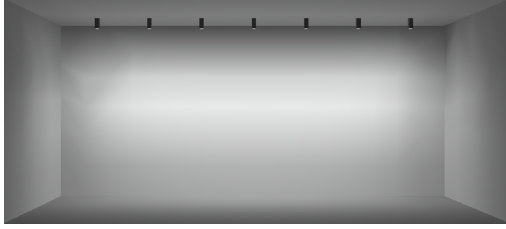
8FT CEILING
36" SETBACK / 48" ON CENTER SPACING



10FT CEILING
36" SETBACK / 48" ON CENTER SPACING

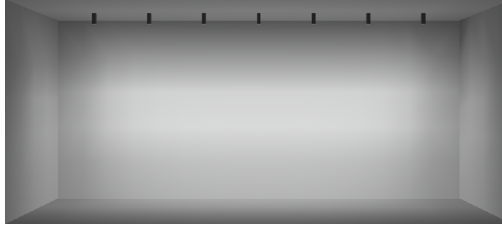


12FT CEILING
36" SETBACK / 48" ON CENTER SPACING



30" SETBACK / 42" ON CENTER SPACING

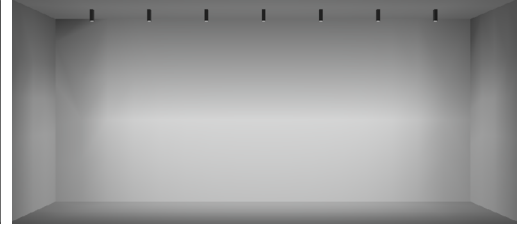
- AVERAGE FC: 17.19
- MAX / MIN: 5.71
- 10FT CEILING SHOWN / 8-12FT IDEAL
- 7 FIXTURES / 25FT WALL SHOWN



RECOMMENDED

36" SETBACK / 48" ON CENTER SPACING

- AVERAGE FC: 13.81
- MAX / MIN: 6.21
- 10FT CEILING SHOWN / 8-12FT IDEAL
- 7 FIXTURES / 28FT WALL SHOWN



42" SETBACK / 54" ON CENTER SPACING

- AVERAGE FC: 11.14
- MAX / MIN: 7.32
- 10FT CEILING SHOWN / 8-12FT IDEAL
- 7 FIXTURES / 32FT WALL SHOWN

ADDITIONAL SETBACKS AND SPACINGS

ON CENTER SPACING	SETBACK		
	30"	36"	42"
42"	SHOWN ABOVE	AVERAGE FC: 15.45 MAX / MIN: 6.50	AVERAGE FC: 13.79 MAX / MIN: 7.36
48"	AVERAGE FC: 15.35 MAX / MIN: 5.35	SHOWN ABOVE	AVERAGE FC: 12.33 MAX / MIN: 7.20
54"	AVERAGE FC: 13.86 MAX / MIN: 5.40	AVERAGE FC: 12.47 MAX / MIN: 6.10	SHOWN ABOVE

***ALL DATA REFLECTS 90S17A WATTAGE PACKAGE**

SQUILINDER LVS FIXED SURFACE MOUNT

STATIC WHITE PERFORMANCE - 3000K - SOFT FOCUS LENS

WATTAGE PACKAGE	WATTS	10° OPTIC NO LENS		15° OPTIC SOFT FOCUS LENS		20° OPTIC SOFT FOCUS LENS		25° OPTIC SOFT FOCUS LENS		40° OPTIC SOFT FOCUS LENS		60° OPTIC SOFT FOCUS LENS		WW OPTIC WALLWASH LENS		OUTPUT MULTIPLIER	
		DLVD	LPW	DLVD	LPW	DLVD	LPW	DLVD	LPW	DLVD	LPW	DLVD	LPW	DLVD	LPW	CCT	CCT SCALE
80S11A	11	-	-	1289	117	1278	116	1282	117	1222	111	1154	105	913	83	2700K	0.97
80S17A	17	1513	89	1916	113	1960	115	1925	113	1846	109	1737	102	1395	82	3000K	1.00
80S23A	23	-	-	2440	106	2541	110	2515	109	2383	104	2240	97	1814	79	3500K	1.03
																4000K	1.08
90S11A	11	-	-	1107	101	1098	100	1101	100	1050	95	991	90	784	71	MEDIA LIGHT LOSS MULTIPLIER	
90S17A	17	1304	77	1646	97	1684	99	1654	97	1586	93	1492	88	1198	70	MEDIA	LIGHT LOSS FACTOR
90S23A	23	-	-	2096	91	2183	95	2161	94	2047	89	1924	84	1558	68	No Lens	1.06
																SFL	1.00
97S11A	11	-	-	972	88	964	88	967	88	922	84	870	79	688	63	CGL	0.98
97S17A	17	1125	66	1445	85	1479	87	1452	85	1392	82	1310	77	1052	62	FGL	0.91
97S23A	23	-	-	1840	80	1917	83	1897	82	1797	78	1689	73	1368	59	FSFL	0.87
																FLSL	0.82
90W18AL (2700K-1800K)	18	-	-	-	-	1153	64	1133	63	1095	61	1037	58	858	48	SFL W/ LIN. SPREAD	0.76
90W18AD (3000K-1800K)	18	-	-	-	-	1130	63	1132	63	1093	61	1047	58	881	49	CGL W/ LIN. SPREAD	0.74
																HCL	0.73

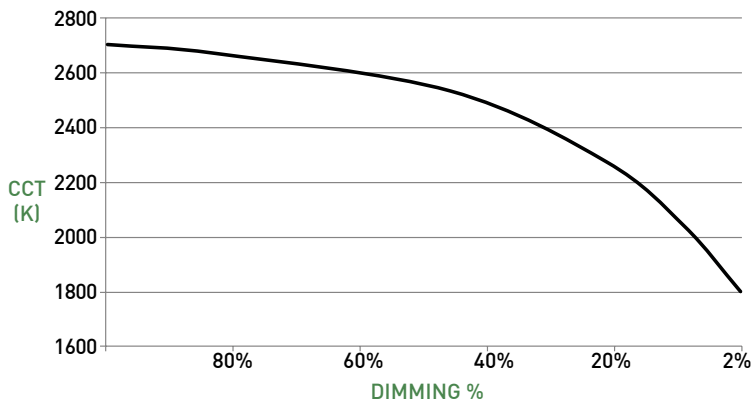
UNIFIED GLARE RATING

10° OPTIC NO LENS	15° OPTIC SOFT FOCUS LENS	20° OPTIC SOFT FOCUS LENS	25° OPTIC SOFT FOCUS LENS	40° OPTIC SOFT FOCUS LENS	60° OPTIC SOFT FOCUS LENS	WW OPTIC WALLWASH LENS
>19	<16	<13	<16	<16	<19	>19

WARM DIM PERFORMANCE - SOFT FOCUS LENS - 20° OPTIC

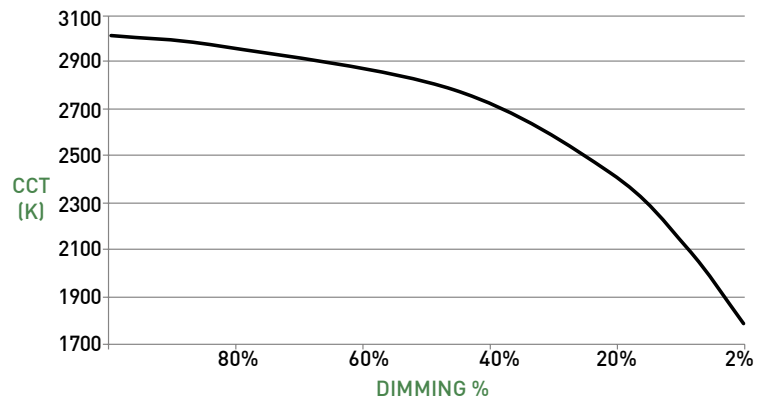
INCANDESCENT DIMMING PROFILE

90W18AL 2700K - 1800K	Full on 100%	Dimmed to 80%	Dimmed to 70%	Dimmed to 50%	Dimmed to 20%	Dimmed to 10%	Dimmed to 2%
CCT (K)	2700	2650	2620	2520	2180	1950	1800
Light Output (Lm)	1153	922	807	576	231	115	23
Power (W)	18	14	13	9	4	2	.4
Efficacy (LPW)	64	64	64	64	64	64	64



STANDARD WARM DIM PROFILE

90W18AD 3000K - 1800K	Full on 100%	Dimmed to 80%	Dimmed to 70%	Dimmed to 50%	Dimmed to 20%	Dimmed to 10%	Dimmed to 2%
CCT (K)	3000	2950	2920	2775	2375	2000	1800
Light Output (Lm)	1130	904	791	565	226	113	23
Power (W)	18	14	13	9	4	2	.4
Efficacy (LPW)	62	62	62	62	62	62	62

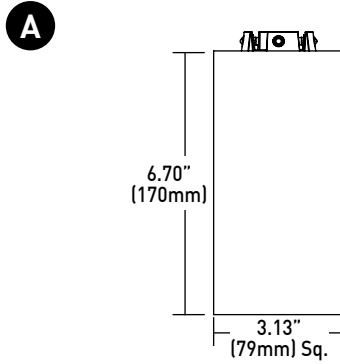


SQUILINDER LVS FIXED SURFACE MOUNT

FIXTURE

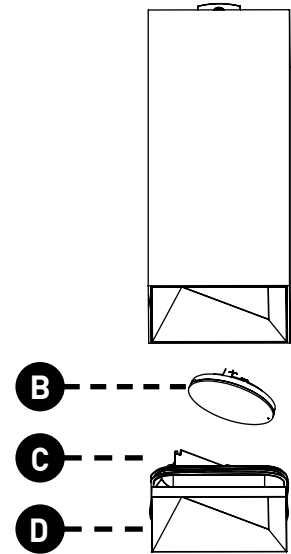
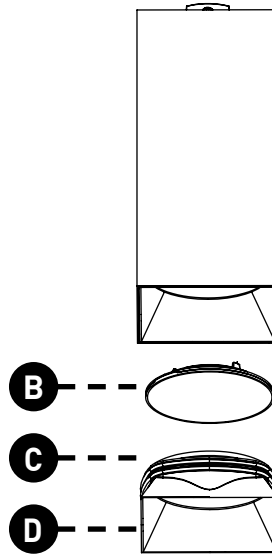
- A LUMINAIRE**
Machined body with integral heat sink and LED.
Power supply must be remote mount.
- B FIXED BODY OPTIC**
Field-changeable optics available in 10°, 15°, 25°, 40° and 60° beams.
- WALLWASH OPTIC**
Precision tuned optic provides uniform wallwashing effect.
- C FIXED BODY MEDIA**
Soft focus lens or no lens standard; lenses sealed in place. Fixture can accept 1 media.
- WALLWASH MEDIA**
Wallwash lens is sealed in place. Fixture can accept 1 media.
- D BAFFLE**
Baffle minimizes aperture glare and conceals view into fixture. Suction tool provided for removal of baffle.

DIMENSIONS / DRAWINGS



FIXED BODY

WALLWASH UNIBODY



SQUILINDER LVS FIXED SURFACE MOUNT

MOUNTING

E JBMP

Mounting plate (concealed) for standard 4" square or 4" 4/0 j-box. To be installed during rough-in prior to substrate. Fixture to mount flush with minimalist transition to ceiling.

Part Number - SQ2-JBMP

F SMK3

Surface mount kit includes mounting plate and 4" concealer plate that installs between fixture and standard 3" 3/0 j-box for existing applications where standard j-box cutout is to be concealed.

Part Number - SQ2-SMK-3/0-(FINISH)

G SMK4

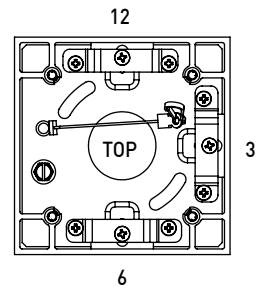
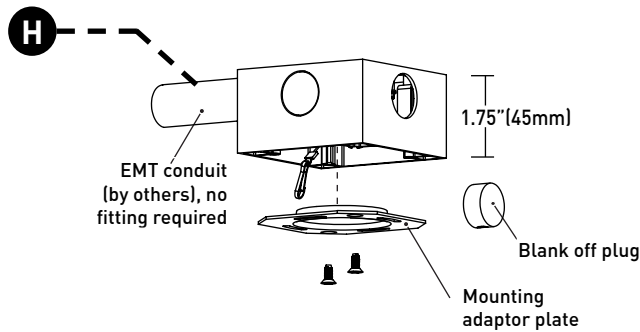
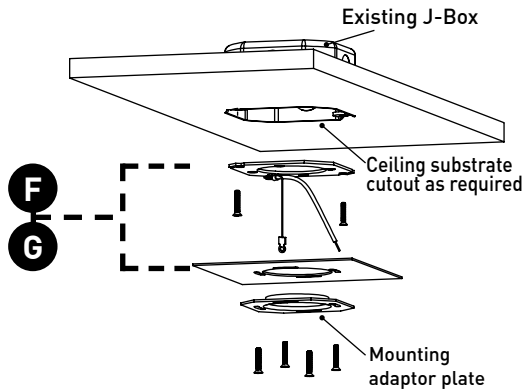
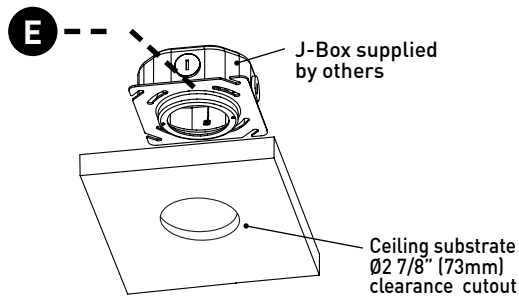
Surface mount kit includes mounting plate and 5" concealer plate that installs between fixture and standard 4" 4/0 j-box for existing applications where standard j-box cutout is to be concealed.

Part Number - SQ2-SMK-4/0-(FINISH)

H CMJB

Ceiling mount junction box perfectly matches the squilinder profile for a continuous, integrated look where exposed ceiling mount junction box and conduit applications apply. For use with 1/2" and 3/4" EMT conduit only. Features three conduit entrances at 12, 3, and 6 o'clock plus one conduit knockout on top. Painted finishes only. Blank off plugs included.

Part Number - SQ2-CMJB-(FINISH)



MOUNTING NOTES

- JBMP not recommended for use with pancake style j-box.
- For applications involving slat ceilings or confined mounting, consult Comprehensive Install Guide for required clearances for proper air flow and servicing.

SQUILINDER LVS FIXED SURFACE MOUNT

TECHNICAL

CONSTRUCTION

Squillinder: Machined aluminum body; painted finishes are granulated powder coat.

CMJB: Die-cast aluminum body; painted finishes are granulated powder coat.

STATIC WHITE LED

2-step MacAdam ellipse LED module available in 80+, 90+ and 97+ CRI configurations in color temperatures of 2700K, 3000K, 3500K and 4000K. Average rated lamp life of 50,000 hours. LED and driver assemblies are field-replaceable.

WARM DIM LED

3-step MacAdam ellipse warm dim LED module available in 90+ CRI configuration. 3000K or 2700K at full brightness, warming to 1800K at full dim. Average rated lamp life of 50,000 hours. LED and driver assemblies are field-replaceable.

WALLWASH SPACING

Factory recommends 48" (1219mm) spacing on center with 36" (914mm) setback from wall plane.

MOUNTING

Squillinder is supplied with a mounting adaptor plate, which integrates with JBMP, providing a minimalist transition from standard 4/0 or 4" square junction boxes and accommodating ceiling thicknesses of 0.44" (12mm) to 0.75" (19mm). Ceiling-mount junction box available for 1/2" (13mm) and 3/4" (19mm) conduit and feature concealed internal clamps for clean fitting-free conduit exit and entry.

LISTING

cTUVus listed to UL2108 standard for Dry / Damp (IP10) locations. NEMA 410 compliant.

WEIGHT

Fixture and Mounting - 3.8 lbs

LIMITED WARRANTY

Manufacturer's 1-year warranty guarantees product(s) listed to be free from defects in material and workmanship under normal use and service. 5-year warranty on LED to operate with 70% of the original flux and remain within a range of 3 duv. Warranty period begins from the date of shipment by Seller. [Consult website for full warranty terms and conditions.](#)

CHANGE LOG

1. 01/12/2021: ADDED 2200K, 2700K-1800K WARM DIM AND 10 DEGREE OPTIC OFFERINGS.

2. 03/17/2021: ADDED SMK MOUNTING OPTION.

3. 04/29/2021: ADDED LP1 DRIVER OFFERING.

4. 06/09/2022: ADDED HONEYCOMB LOUVER, SOFT FOCUS LENS W/ LINEAR SPREAD FILM, AND CLEAR GLASS LENS W/ LINEAR SPREAD FILM.

5. 10/17/2022: REMOVED 90W13A 3200K-1800K WARM DIM AND ADDED 90W12A 3000K-1800K WARM DIM.

6. 08/08/2023: ADDED NEW LED AND OPTIC OFFERINGS. REMOVED 2200K OFFERING.