

SQUILINDER® LVS

SUSPENDED MOUNT

PROJECT NAME:	TYPE:
---------------	-------

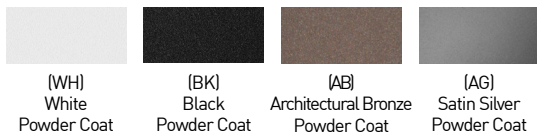


A modern update to a timeless form, this award-winning, fresh-faced classic offers sleek geometry, field-changeable optics, and endless adjustability.

ORDERING INFORMATION - SQUILINDER

Quick Ship Product. All rough in components ship within 10 days up to quantities of 100.

SQUILINDER	LENGTH	FIXTURE	RATING	SQUILINDER FINISH	BAFFLE FINISH	LUMEN PACKAGE	CCT	OPTIC	DRIVER	EFFECTS DEVICE	MOUNTING
			1						LVS		
Dropkit STEM ASSEMBLY SD2 3.13"	043 2" - 43" Mechanical Dropkit Stem 086 45" - 86" Mechanical Dropkit Stem 129 88" - 129" Mechanical Dropkit Stem 172 131" - 172" Mechanical Dropkit Stem <small>*(All lengths are field cuttable)</small>	AD Standard 90° FB Fixed Body	1 Dry/Damp	WH White BK Black AB Architectural Bronze* <small>*(Increased lead time)</small> AG Satin Silver* <small>*(Increased lead time)</small> CF Custom Finish* <small>*(Consult Factory)</small>	WH White BK Black AB Architectural Bronze* <small>*(Increased lead time)</small> AG Satin Silver* <small>*(Increased lead time)</small> CF Custom Finish* <small>*(Consult Factory)</small>	STATIC WHITE 80C12A 80+ CRI, Delivered Lumens - 758 80C19A 80+ CRI, Delivered Lumens - 1169 80C25A 80+ CRI, Delivered Lumens - 1552 90C10A 90+ CRI, Delivered Lumens - 649 90C15A 90+ CRI, Delivered Lumens - 1001 90C20A 90+ CRI, Delivered Lumens - 1330 97C09A 97+ CRI, Delivered Lumens - 581 97C14A 97+ CRI, Delivered Lumens - 896 97C19A 97+ CRI, Delivered Lumens - 1190 WARM DIM 90W11A 90+ CRI, Delivered Lumens - 847 Incandescent Profile	22 2200K* <small>*(Only available for 90+ CRI)</small> 27 2700K 30 3000K 35 3500K 40 4000K WL 2700K - 1800K	10 10°* <small>*(Only available for 80C12A, 90C10A, and 97C09A. Not available for 2200K)</small> 15 15° 25 25° 40 40° 60 60° 25 25° 40 40° 60 60°	REMOTE LVS Low Voltage System	STANDARD EFFECTS DEVICE 4 Soft Focus Lens ALTERNATE EFFECTS DEVICE 0 No Lens* <small>*(Standard for 10° optic. Not available for Warm Dim)</small> 30 Clear Glass Lens* <small>*(Not available for Warm Dim)</small> 50 Frosted Glass Lens 60 Frosted Soft Focus Lens 70 Frosted Linear Spread Lens	ROUGH-IN JBMP 4" Sq. or 4/0 Junction Box Mount Plate FINISH OUT CMJB 1/2" and 3/4" Conduit Ceiling Mount Junction Box* <small>*(Not available for SD2, Quick Ship Product for WH and BK finishes only)</small>
	PENDANT SP2 3.13"			XXXB Black Cable XXXW White Cable Specify cable length in whole inches (Max 180) ex. specify 006B for a 6 inch black cable* <small>*(Cable is field cuttable)</small>	FB Fixed Body	1 Dry/Damp	WH White BK Black AB Architectural Bronze* <small>*(Increased lead time)</small> AG Satin Silver* <small>*(Increased lead time)</small> CF Custom Finish* <small>*(Consult Factory)</small>	WH White BK Black AB Architectural Bronze* <small>*(Increased lead time)</small> AG Satin Silver* <small>*(Increased lead time)</small> CF Custom Finish* <small>*(Consult Factory)</small>		90W13A 90+ CRI, Delivered Lumens - 892 Halogen Profile *SEE PAGE 4 FOR DETAILED WARM DIM PROFILE COMPARISON.	WD 3200K - 1800K
							*ALL DELIVERED LUMEN OUTPUTS REFLECT 3000K PAIRED WITH 40° OPTIC AND SOFT FOCUS LENS.				



Dropkit STEM NOTES

- SD2 ships as e.g., SQ2-AD1-WHBK-90C20A2-30LVS40
- JBMP ships as SD-JBMP
- Stem Assembly ships as SQ2-DK-(length)-(finish)

PENDANT NOTES




- SP2 ships as e.g., SP2-1801-WHBK-90C20A2-30LVS40W
- JBMP ships as SQ2-JBMP

SQUILINDER LVS SUSPENDED MOUNT

APPLICATION NOTES

- Lucifer Lighting will not supply a fixture with a POE node or power supply inside the fixture. This allows for easier site install with nodes of 2 or more outputs.
- Consult node manufacturer for maximum remote wiring distances.
- Fixture features 18 Gauge wiring.
- Wiring connections are made on the fixture using customer supplied connectors, ex. wire nuts, push-in connectors, or terminal blocks.
- Confirm node compatibility with factory if it is not listed.
- Customers are responsible for ensuring POE node drive current is set to correct values shown below.
- Customers must ensure voltage range of the proposed POE node encompasses the fixtures complete Vf range, both maximum and minimum. If assistance is required contact LLC rep or factory.

NODE COMPATIBILITY

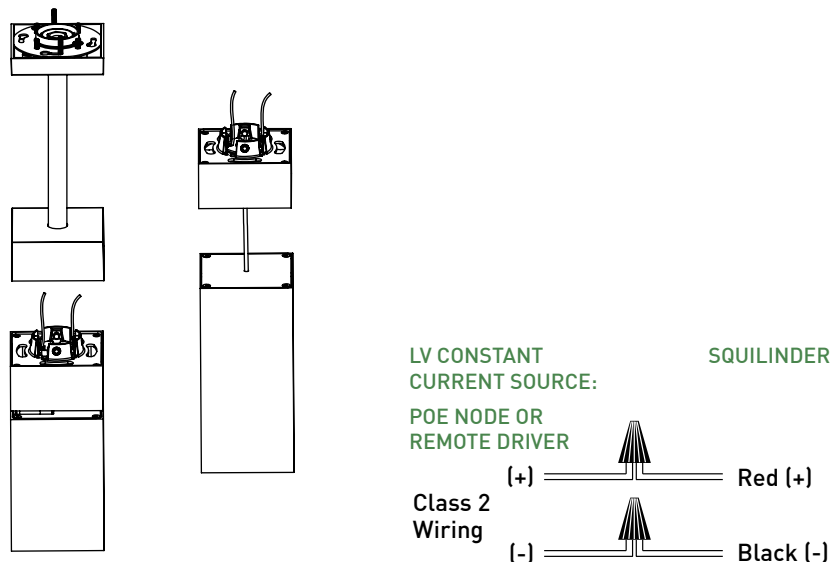
Manufacturer	Model Number
 Igor Enabling Smart Buildings™	NP50-60-C-F-5
 molex	180996-1001 180996-1002 180996-2001 180996-2002
 PLATFORMATICS	1 Channel Node, POE-LN2-1U-E 2 Channel Node, POE-LN2-2U-E 4 Channel Node, POE-LN2-4U-E

DRIVE CURRENT SPECIFICS

	80C			90C			97C			90W	
	12A	19A	25A	10A	15A	20A	09A	14A	19A	11A	13A
Minimum Vf	30.5	30.5	30.5	30.5	30.5	30.5	30.5	30.5	30.5	30.5	30.5
Maximum Vf	39	39	39	39	39	39	39	39	39	39	39
Current mA	250	400	550	250	400	550	250	400	550	400	400
Wattage W	8.2	13.6	19.4	8.2	13.6	19.4	8.2	13.6	19.4	13.6	13.6

	10 DEGREE OPTIC		
	80C19A	90C15A	97C14A
Minimum Vf	30.5	30.5	30.5
Maximum Vf	39	39	39
Current mA	400	400	400
Wattage W	13.6	13.6	13.6

WIRING DIAGRAM



SQUILINDER LVS SUSPENDED MOUNT

ACCESSORIES

ALTERNATE BAFFLE AND EFFECTS DEVICE

Includes baffle with sealed lens. Must specify baffle finish.

- RBA-SQ2-**-CGL-2** Clear Glass Lens *
- RBA-SQ2-**-SFL-2** Soft Focus Lens
- RBA-SQ2-**-FGL-2** Frosted Glass Lens
- RBA-SQ2-**-FSFL-2** Frosted Soft Focus Lens
- RBA-SQ2-**-FLSL-2** Frosted Linear Spread Lens

** Baffle finish: Specify **WH** for white, **BK** for black, **AG** for satin silver or **AB** for architectural bronze.

REPLACEMENT SUCTION TOOL

Included with each order (1 per 10 fixtures).

- CY-SQ-TOOL-SUCTION** Baffle assembly removal tool

REPLACEMENT OPTICS

Interchangeable optics accessible by removing baffle.

- RO-70-15-1** 15° optic *
- RO-70-25-1** 25° optic
- RO-70-40-1** 40° optic
- RO-70-60-1** 60° optic

Dropkit STEM EXTENSION

- RPS-DK-EXT-**-2** 2" - 43" Stem Extension

** Stem finish: Specify **WH** for white, **BK** for black, **AG** for satin silver or **AB** for architectural bronze.

SQUILINDER LVS SUSPENDED MOUNT

STATIC WHITE PERFORMANCE - 3000K - SOFT FOCUS LENS

LUMEN PACKAGE	WATTAGE	10° OPTIC NO SOFT FOCUS LENS		15° OPTIC SOFT FOCUS LENS		20° OPTIC SOFT FOCUS LENS		40° OPTIC SOFT FOCUS LENS		60° OPTIC SOFT FOCUS LENS	
		DELIVERED	LPW	DELIVERED	LPW	DELIVERED	LPW	DELIVERED	LPW	DELIVERED	LPW
80C12A	10	960	56 (17W)	831	84	794	80	758	77	807	82
80C19A	17	-	-	1282	78	1225	75	1169	71	1244	76
80C25A	24	-	-	1702	73	1627	70	1552	66	1652	71
90C10A	10	814	47 (17W)	712	72	681	69	649	66	691	70
90C15A	17	-	-	1098	67	1050	64	1001	61	1066	65
90C20A	24	-	-	1459	62	1394	60	1330	57	1416	61
97C09A	10	745	43 (17W)	637	64	609	62	581	59	618	63
97C14A	17	-	-	983	60	939	57	896	55	954	58
97C19A	24	-	-	1305	56	1247	53	1190	51	1267	54
90W13A	16	-	-	-	-	922	58	847	53	909	57
90W13A	16	-	-	-	-	971	60	892	55	957	59

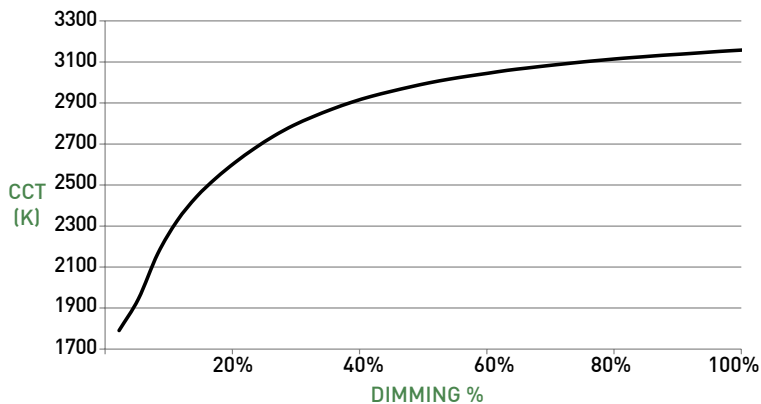
OUTPUT MULTIPLIER	
CCT	CCT SCALE
2200K	0.800
2700K	0.957
3000K	1.000
3500K	1.019
4000K	1.030

LIGHT LOSS FACTOR MULTIPLIER	
No Lens	
CGL	1.05
SFL	1.00
FGL	0.90
FSFL	0.87
FLSL	0.83
HCL	0.65

WARM DIM PERFORMANCE - SOFT FOCUS LENS - 40° OPTIC

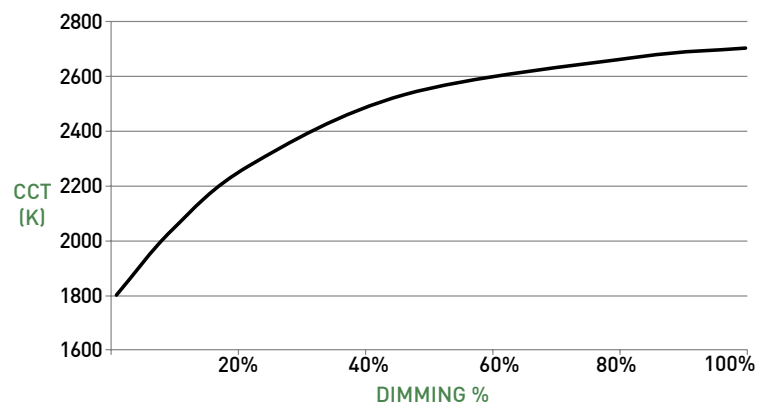
WARM DIM TO MIRROR HALOGEN DIMMING PROFILE

90W13A 3200K - 1800K	Full on 100%	Dimmed to 80%	Dimmed to 70%	Dimmed to 50%	Dimmed to 20%	Dimmed to 10%	Dimmed to 2%
CCT (K)	3200	3150	3100	3000	2700	2200	1800
Light Output (Lm)	892	714	624	446	178	89	18
Power (W)	16	13	11	8	3	1.7	0.3
Efficacy (LPW)	55	55	55	55	55	55	55



WARM DIM TO MIRROR INCANDESCENT DIMMING PROFILE

90W11A 2700K - 1800K	Full on 100%	Dimmed to 80%	Dimmed to 70%	Dimmed to 50%	Dimmed to 20%	Dimmed to 10%	Dimmed to 2%
CCT (K)	2700	2650	2620	2520	2180	1950	1800
Light Output (Lm)	847	678	591	423	169	85	17
Power (W)	16	13	11	8	3	1.7	0.3
Efficacy (LPW)	53	53	53	53	53	53	53

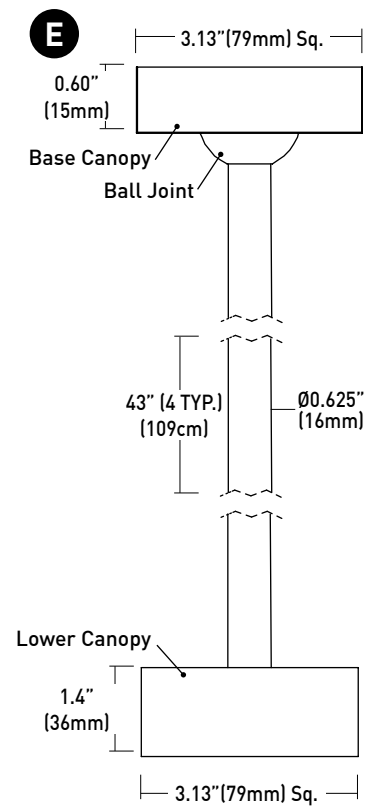
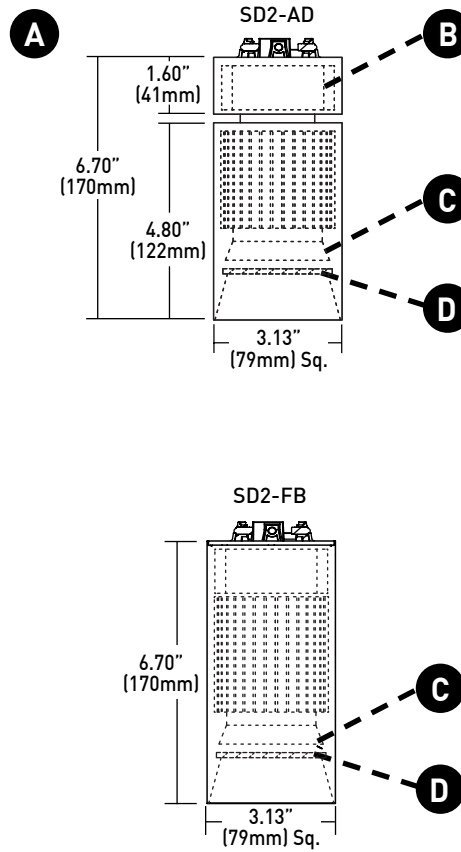


SQUILINDER LVS SUSPENDED MOUNT

Dropkit STEM ASSEMBLY

- A LUMINAIRE**
Machined body with integral heat sink and LED. Power supply must be remote mount.
- B CANOPY**
Machined 1.60" [41mm] depth canopy accommodates flat and slope ceiling conditions. Conceals hidden mounting hardware. Features self-locking 357° rotation and 90° tilt standard.
- C OPTICS**
Proprietary optics available in 10°, 15°, 25°, 40° & 60° beams.
- D EFFECTS DEVICES**
Squilinder baffle assembly can accept 1 lens; soft focus lens standard and sealed in place. Suction tool provided for removal of baffle lens assembly.
- E Dropkit**
 - Field cuttable rigid stem for suspending fixture at desired height. Provides stable base to allow preferred fixture tilt, while maintaining vertical stem position.
 - Ball joint allows up to 45° tilt for sloped ceilings and can be locked once stem is positioned vertically.
 - Four 43" sections available; 172" maximum standard length.
 - Length adjustment occurs in lower canopy.
 - Wiring for stem assembly provided by others.

DIMENSIONS / DRAWINGS

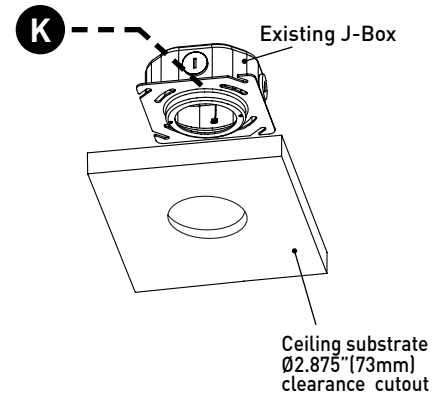
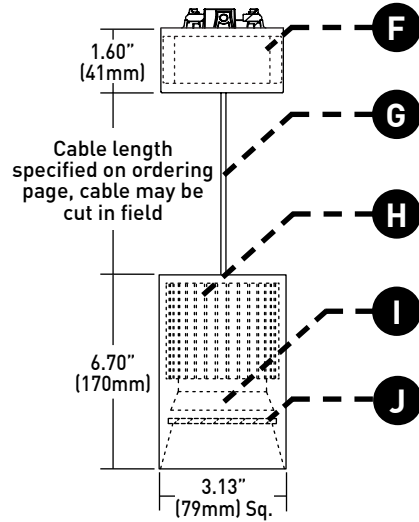


SQUILINDER LVS SUSPENDED MOUNT

PENDANT

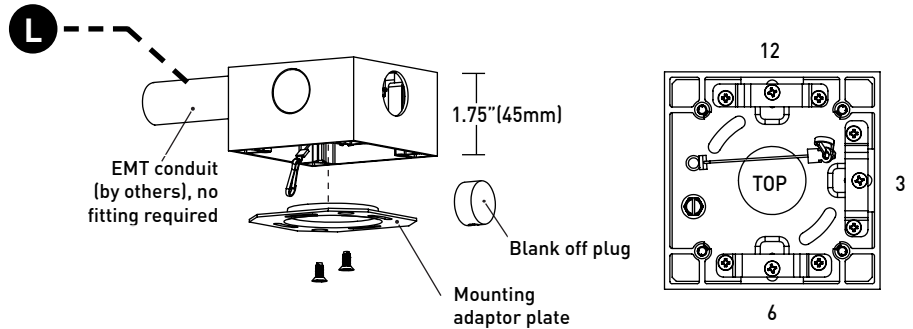
- F CANOPY**
Machined 1.60" (41mm) canopy accommodates flat and slope ceiling conditions. Conceals hidden mounting hardware. Power supply must be remote mount.
- G CABLE**
Black and white wiring harness available; up to 180.0" length; cable may be cut in field.
- H LUMINAIRE**
Machined body with integral heat sink and LED.
- I OPTICS**
Proprietary optics available in 10°, 15°, 25°, 40° & 60° beams.
- J EFFECTS DEVICES**
Squilinder baffle lens assembly can accept 1 lens sealed in place. Soft focus lens included as standard. Suction tool provided for removal of baffle lens assembly.

DIMENSIONS / DRAWINGS



Dropkit STEM AND PENDANT MOUNTING

- K JBMP**
Mounting plate (concealed) for standard 4" square or 4" 4/0 j-box. To be installed during rough-in prior to substrate. Fixture to mount flush with minimalist transition to ceiling.
- L CMJB (Only available with Pendant)**
Ceiling mount junction box perfectly matches the squilinder profile for a continuous, integrated look where exposed ceiling mount junction box and conduit applications apply. For use with 1/2" and 3/4" EMT conduit only. Features three conduit entrances at 12, 3, and 6 o'clock plus one conduit knockout on top. Painted finishes only. Blank off plugs included.



MOUNTING NOTES

- JBMP not recommended for use with pancake style j-box.

SQUILINDER LVS SUSPENDED MOUNT

TECHNICAL

CONSTRUCTION

Squillinder: Machined aluminum body; painted finishes are granulated powder coat.

Dropkit Stem Assembly: Die-cast aluminum canopies and extruded aluminum stems; painted finishes are granulated powder coat.

CMJB: Die-cast aluminum body; painted finishes are granulated powder coat.

Remote Power Supply: 22 Gauge galvanized steel.

STATIC WHITE LED

2-step MacAdam ellipse LED module available in 80+, 90+ and 97+ CRI configurations in color temperatures of 2200K, 2700K, 3000K, 3500K and 4000K. Average rated lamp life of 50,000 hours. LED and driver assemblies are field-replaceable.

WARM DIM LED

3-step MacAdam ellipse warm dim LED module available in 90+ CRI configuration. 3200K or 2700K at full brightness, warming to 1800K at full dim. Average rated lamp life of 50,000 hours. LED and driver assemblies are field-replaceable.

MOUNTING

Pendant is supplied with a mounting adaptor plate, which integrates with JBMP. Dropkit Stem integrates directly with JBMP. Both applications provide a minimalist transition from standard standard 4/0 or 4" square junction boxes and accommodating ceiling thicknesses of 0.44" (12mm) to 0.75" (19mm).

LISTING

cTUVus listed to UL2108 standard for Dry / Damp (IP10) locations.

WARRANTY

Manufacturer's 1-year warranty guarantees product(s) listed to be free from defects in material and workmanship under normal use and service. 5-year warranty on LED to operate with 70% of the original flux and remain within a range of 3 duv. Warranty period begins from the date of shipment by Seller. [Consult website for full warranty terms and conditions.](#)

CHANGE LOG

1. 01/12/2021: ADDED 2200K, 2700K-1800K WARM DIM AND 10 DEGREE OPTIC OFFERINGS.