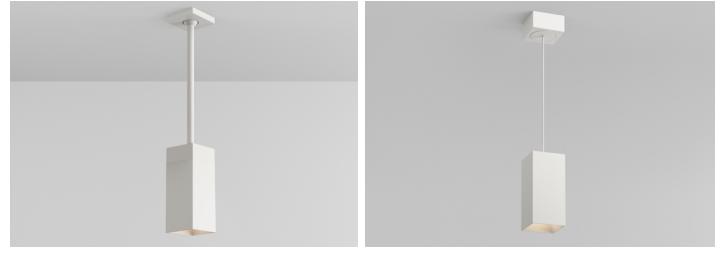


SQUILINDER® LVS FIXED SUSPENDED MOUNT

A modern update to a timeless form, this award-winning, fresh-faced classic offers sleek geometry, field-changeable optics, and endless adjustability.

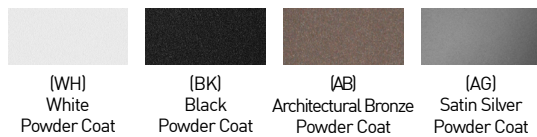
PROJECT NAME:	TYPE:
---------------	-------



ORDERING INFORMATION - SQUILINDER

Quick Ship Product. All rough in components ship within 10 days up to quantities of 100.

SQUILINDER	LENGTH	FIXTURE	RATING	SQUILINDER FINISH	BAFFLE FINISH	LUMEN PACKAGE	CCT	OPTIC	DRIVER	EFFECTS DEVICE	MOUNTING
			1						LVS		
Dropkit® STEM ASSEMBLY SD2 3.13"	043 2" - 43" Mechanical Dropkit Stem 086 45" - 86" Mechanical Dropkit Stem 129 88" - 129" Mechanical Dropkit Stem 172 131" - 172" Mechanical Dropkit Stem <small>*(All lengths are field cuttable)</small>	FB Fixed Body WW Wallwash Unibody	1 Dry/Damp	WH White BK Black AB Architectural Bronze* <small>*(Increased lead time)</small> AG Satin Silver* <small>*(Increased lead time)</small> CF Custom Finish* <small>*(Consult Factory)</small>	WH White BK Black AB Architectural Bronze* <small>*(Increased lead time)</small> AG Satin Silver* <small>*(Increased lead time)</small> CF Custom Finish* <small>*(Consult Factory)</small>	STATIC WHITE 80C12A 80+ CRI, FB Dlvd. Lumens - 758 WW Dlvd. Lumens - 923 80C19A 80+ CRI FB Dlvd. Lumens - 1169 WW Dlvd. Lumens - 1424 80C25A 80+ CRI FB Dlvd. Lumens - 1552 WW Dlvd. Lumens - 1769 90C10A 90+ CRI, FB Dlvd. Lumens - 649 WW Dlvd. Lumens - 791 90C15A 90+ CRI FB Dlvd. Lumens - 1001 WW Dlvd. Lumens - 1220 90C20A 90+ CRI FB Dlvd. Lumens - 1330 WW Dlvd. Lumens - 1516	22 2200K* <small>*(Only available for 90+ CRI)</small> 27 2700K 30 3000K 35 3500K 40 4000K	10 10°* <small>*(Only available for 80C12A, 90C10A, and 97C09A. Not available for 2200K)</small> 15 15° 25 25° 40 40° 60 60° WW Wall-wash Optic* <small>*(Required for Wallwash fixtures)</small>	LVS Low Voltage System	STANDARD EFFECTS DEVICE 40 Soft Focus Lens WW Wallwash Lens* <small>*(Required for Wallwash fixtures)</small> 00 No Lens* <small>*(Standard for 10° optic. Not available for Warm Dim)</small> ALTERNATE EFFECTS DEVICE 30 Clear Glass Lens* <small>*(Not available for Warm Dim)</small> 50 Frosted Glass Lens 60 Frosted Soft Focus Lens 70 Frosted Linear Spread Lens	ROUGH-IN JBMP 4" Sq. or 4/0 Junction Box Mounting Plate FINISH OUT CMJB 1/2" and 3/4" Conduit Ceiling Mount Junction Box* <small>*(Quick Ship Product for WH and BK finishes only)</small>
	PENDANT SP2 3.13"	XXXB Black Cable XXXW White Cable Specify cable length in whole inches (Max 180) ex. specify 006B for a 6 inch black cable* <small>*(Cable is field cuttable)</small>	FB Fixed Body	1 Dry/Damp	WH White BK Black AB Architectural Bronze* <small>*(Increased lead time)</small> AG Satin Silver* <small>*(Increased lead time)</small> CF Custom Finish* <small>*(Consult Factory)</small>	WH White BK Black AB Architectural Bronze* <small>*(Increased lead time)</small> AG Satin Silver* <small>*(Increased lead time)</small> CF Custom Finish* <small>*(Consult Factory)</small>	WARM DIM 90W11A 90+ CRI, Incandescent Profile FB Dlvd. Lumens - 847 WW Dlvd. Lumens - 761 90W13A 90+ CRI, Halogen Profile FB Dlvd. Lumens - 892 WW Dlvd. Lumens - 991 <small>*SEE PAGE 3 FOR DETAILED WARM DIM PROFILE COMPARISON.</small> <small>*ALL DELIVERED LUMEN OUTPUTS REFLECT 3000K PAIRED WITH 40° OPTIC AND SOFT FOCUS LENS.</small>	WL 2700K - 1800K WD 3200K - 1800K	25 25° 40 40° 60 60° WW Wall-wash Optic* <small>*(Required for Wallwash fixtures)</small>		



PART NUMBER NOTES




- SD2 ships as e.g., SQ2-AD1-WHBK-90C20A2-30LVS40
- Stem Assembly ships as SQ2-DK-(length)-(finish)
- SP2 ships as e.g., SP2-1801-WHBK-90C20A2-30LVS40W
- JBMP ships as SQ2-JBMP
- CMJB ships as SQ2-CMJB-(finish)

SQUILINDER LVS FIXED SUSPENDED MOUNT

APPLICATION NOTES

- Lucifer Lighting will not supply a fixture with a POE node or power supply inside the fixture. This allows for easier site install with nodes of 2 or more outputs.
- Consult node manufacturer for maximum remote wiring distances.
- Fixture features 18 Gauge wiring.
- Wiring connections are made on the fixture using customer supplied connectors, ex. wire nuts, push-in connectors, or terminal blocks.
- Confirm node compatibility with factory if it is not listed.
- Customers are responsible for ensuring POE node drive current is set to correct values shown below.
- Customers must ensure voltage range of the proposed POE node encompasses the fixtures complete Vf range, both maximum and minimum. If assistance is required contact LLC rep or factory.

NODE COMPATIBILITY

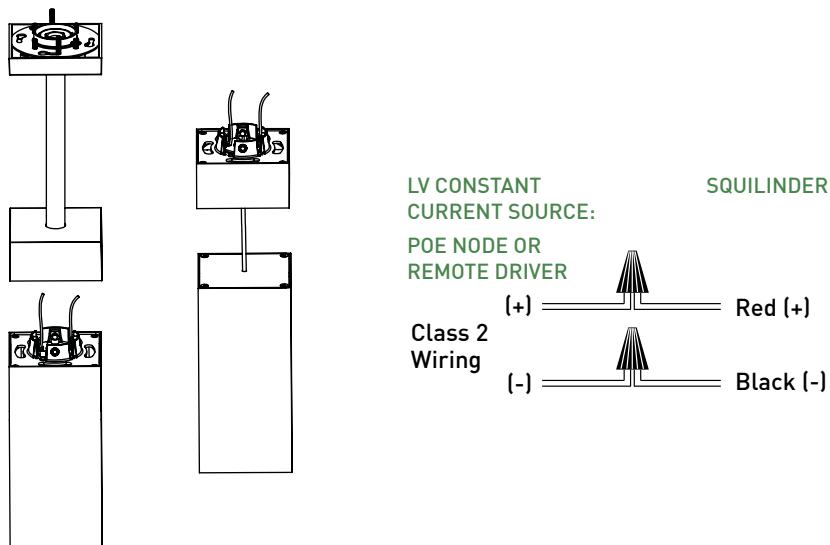
Manufacturer	Model Number
 Igor Enabling Smart Buildings™	NP50-60-C-F-5
 molex	180996-1001 180996-1002 180996-2001 180996-2002
 PLATFORMATICS	1 Channel Node, POE-LN2-1U-E 2 Channel Node, POE-LN2-2U-E 4 Channel Node, POE-LN2-4U-E

DRIVE CURRENT SPECIFICS

	80C			90C			97C			90W	
	12A	19A	25A	10A	15A	20A	09A	14A	19A	11A	13A
Minimum Vf	30.5	30.5	30.5	30.5	30.5	30.5	30.5	30.5	30.5	30.5	30.5
Maximum Vf	39	39	39	39	39	39	39	39	39	39	39
Current mA	250	400	550	250	400	550	250	400	550	400	400
Wattage W	8.2	13.6	19.4	8.2	13.6	19.4	8.2	13.6	19.4	13.6	13.6

	10 DEGREE OPTIC		
	80C19A	90C15A	97C14A
Minimum Vf	30.5	30.5	30.5
Maximum Vf	39	39	39
Current mA	400	400	400
Wattage W	13.6	13.6	13.6

WIRING DIAGRAM



SQUILINDER LVS FIXED SUSPENDED MOUNT

ACCESSORIES

ALTERNATE BAFFLE AND EFFECTS DEVICE

Includes baffle with sealed lens. Must specify baffle finish.

- RBA-SQ2-**-CGL-2** Clear Glass Lens *
- RBA-SQ2-**-SFL-2** Soft Focus Lens
- RBA-SQ2-**-FGL-2** Frosted Glass Lens
- RBA-SQ2-**-FSFL-2** Frosted Soft Focus Lens
- RBA-SQ2-**-FLSL-2** Frosted Linear Spread Lens

** Baffle finish: Specify **WH** for white, **BK** for black, **AG** for satin silver or **AB** for architectural bronze.

REPLACEMENT SUCTION TOOL

Included with each order (1 per 10 fixtures).

- CY-SQ-TOOL-SUCTION** Baffle assembly removal tool

REPLACEMENT OPTICS

Interchangeable optics accessible by removing baffle.

- RO-70-15-1** 15° optic *
- RO-70-25-1** 25° optic
- RO-70-40-1** 40° optic
- RO-70-60-1** 60° optic

Dropkit STEM EXTENSION

- RPS-DK-EXT-**-2** 2" - 43" Stem Extension

** Stem finish: Specify **WH** for white, **BK** for black, **AG** for satin silver or **AB** for architectural bronze.

SQUILINDER LVS FIXED SUSPENDED MOUNT

STATIC WHITE PERFORMANCE - 3000K - SOFT FOCUS LENS

LUMEN PACKAGE	WATTAGE	10° OPTIC NO SOFT FOCUS LENS		15° OPTIC SOFT FOCUS LENS		20° OPTIC SOFT FOCUS LENS		40° OPTIC SOFT FOCUS LENS		60° OPTIC SOFT FOCUS LENS		WW OPTIC WALLWASH LENS	
		DELIVERED	LPW	DELIVERED	LPW	DELIVERED	LPW	DELIVERED	LPW	DELIVERED	LPW	DELIVERED	LPW
80C12A	10	960	56 (17W)	831	84	794	80	758	77	807	82	923	92
80C19A	17	-	-	1282	78	1225	75	1169	71	1244	76	1424	84
80C25A	24	-	-	1702	73	1627	70	1552	66	1652	71	1769	74
90C10A	10	814	47 (17W)	712	72	681	69	649	66	691	70	791	79
90C15A	17	-	-	1098	67	1050	64	1001	61	1066	65	1220	72
90C20A	24	-	-	1459	62	1394	60	1330	57	1416	61	1516	63
97C09A	10	745	43 (17W)	637	64	609	62	581	59	618	63	708	71
97C14A	17	-	-	983	60	939	57	896	55	954	58	906	53
97C19A	24	-	-	1305	56	1247	53	1190	51	1267	54	1169	49
90W13A	16	-	-	-	-	922	58	847	53	909	57	761	45
90W13A	16	-	-	-	-	971	60	892	55	957	59	991	58

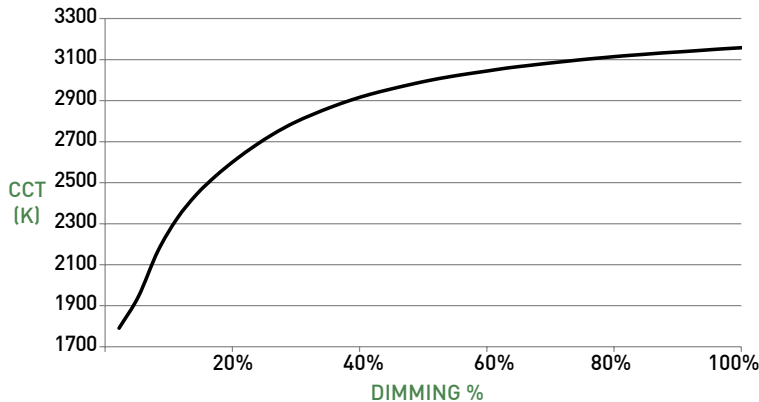
OUTPUT MULTIPLIER	
CCT	CCT SCALE
2200K	0.800
2700K	0.957
3000K	1.000
3500K	1.019
4000K	1.030

LIGHT LOSS FACTOR MULTIPLIER	
Optic Type	Multiplier
No Lens	1.05
CGL	1.05
SFL	1.00
FGL	0.90
FSFL	0.87
FLSL	0.83
HCL	0.65

WARM DIM PERFORMANCE - SOFT FOCUS LENS - 40° OPTIC

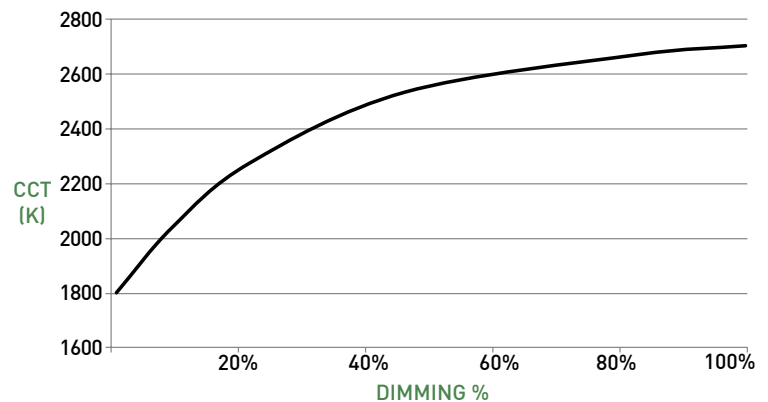
WARM DIM TO MIRROR HALOGEN DIMMING PROFILE

90W13A 3200K - 1800K	Full on 100%	Dimmed to 80%	Dimmed to 70%	Dimmed to 50%	Dimmed to 20%	Dimmed to 10%	Dimmed to 2%
CCT (K)	3200	3150	3100	3000	2700	2200	1800
Light Output (Lm)	892	714	624	446	178	89	18
Power (W)	16	13	11	8	3	1.7	0.3
Efficacy (LPW)	55	55	55	55	55	55	55



WARM DIM TO MIRROR INCANDESCENT DIMMING PROFILE

90W11A 2700K - 1800K	Full on 100%	Dimmed to 80%	Dimmed to 70%	Dimmed to 50%	Dimmed to 20%	Dimmed to 10%	Dimmed to 2%
CCT (K)	2700	2650	2620	2520	2180	1950	1800
Light Output (Lm)	847	678	591	423	169	85	17
Power (W)	16	13	11	8	3	1.7	0.3
Efficacy (LPW)	53	53	53	53	53	53	53

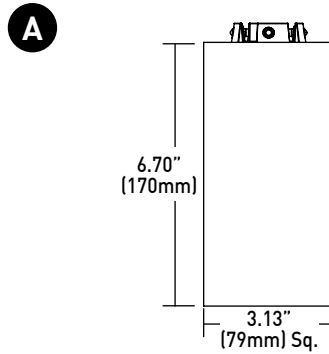


SQUILINDER LVS FIXED SUSPENDED MOUNT

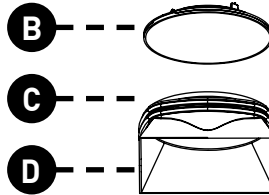
Dropkit STEM ASSEMBLY

- A LUMINAIRE**
Machined body with integral heat sink and LED.
Power supply must be remote mount.
- B FIXED BODY OPTICS**
Field-changeable optics available in 10°, 15°, 25°, 40° and 60° beams.
- WALLWASH OPTIC**
Precision tuned optic provides uniform wallwashing effect.
- C FIXED BODY EFFECTS DEVICE**
Soft focus lens or no lens standard; lenses sealed in place. Fixture can accept 1 effects device.
- WALLWASH EFFECTS DEVICE**
Wallwash lens is sealed in place. Fixture can accept 1 effects device.
- D BAFFLE**
Baffle minimizes aperture glare and conceals view into fixture. Suction tool provided for removal of baffle.
- E Dropkit**
 - Field cuttable rigid stem for suspending fixture at desired height. Provides stable base to allow preferred fixture tilt, while maintaining vertical stem position.
 - Ball joint allows up to 45° tilt for sloped ceilings and can be locked once stem is positioned vertically.
 - Four 43" sections available; 172" maximum standard length.
 - Length adjustment occurs in lower canopy.
 - Wiring for stem assembly provided by others.

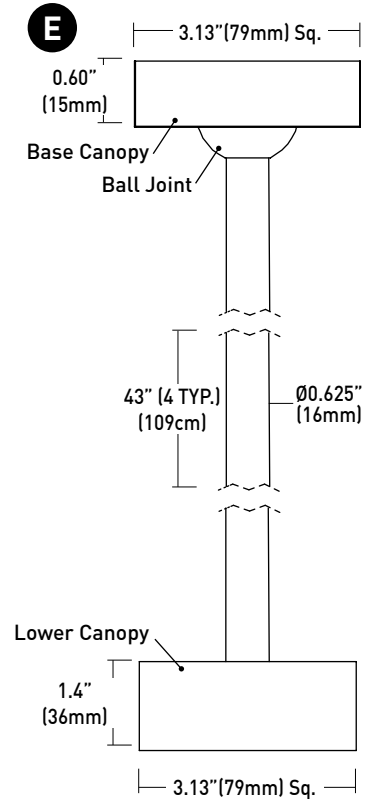
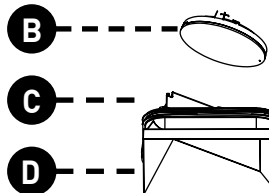
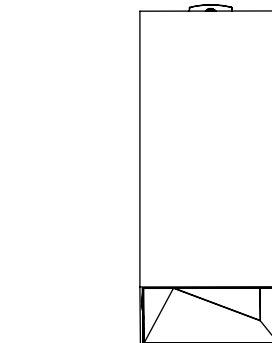
DIMENSIONS / DRAWINGS



FIXED BODY



WALLWASH UNIBODY

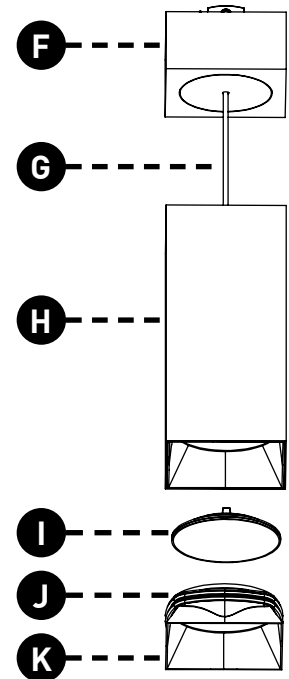
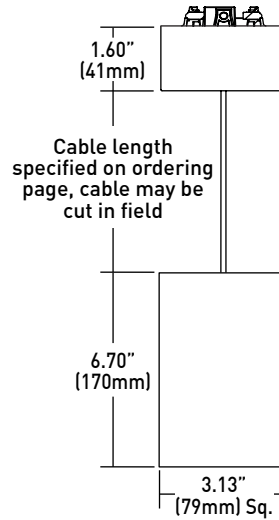


SQUILINDER LVS FIXED SUSPENDED MOUNT

PENDANT

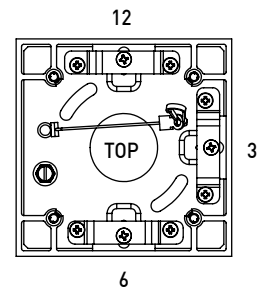
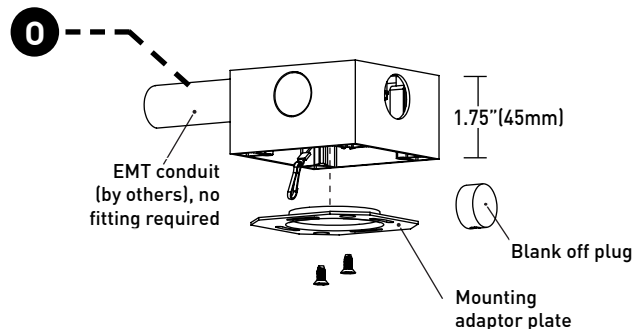
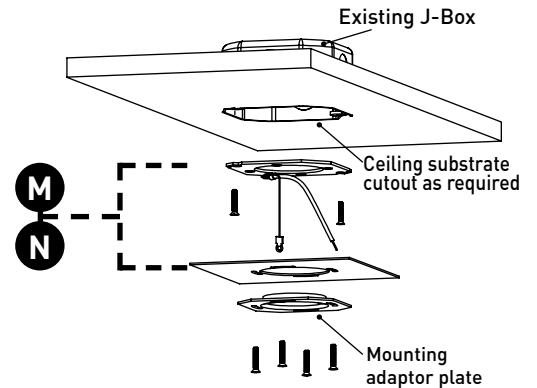
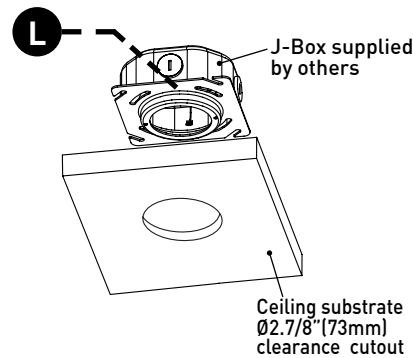
- F CANOPY**
Machined 1.60" (41mm) canopy accommodates flat and slope ceiling conditions. Conceals hidden mounting hardware. Available with integral or remote driver.
- G CABLE**
Black and white wiring harness available; up to 180.0" length; cable may be cut in field.
- H LUMINAIRE**
Machined body with integral heat sink and LED.
- I STANDARD OPTICS**
Proprietary optics available in 10°, 15°, 25°, 40° & 60° beams.
- J EFFECTS DEVICE**
Soft focus lens or no lens standard; lenses sealed in place. Fixture can accept 1 effects device.
- K BAFFLE**
Baffle minimizes aperture glare and conceals view into fixture. Suction tool provided for removal of baffle.

DIMENSIONS / DRAWINGS



Dropkit STEM AND PENDANT MOUNTING

- L JBMP**
Mounting plate (concealed) for standard 4" square or 4" 4/0 j-box. To be installed during rough-in prior to substrate. Fixture to mount flush with minimalist transition to ceiling.
- M SMK3 (Only available with Pendant)**
Surface mount kit includes mounting plate and 4" concealer plate that installs between fixture and standard 3" 3/0 j-box for existing applications where standard j-box cutout is to be concealed.
- N SMK4 (Only available with Pendant)**
Surface mount kit includes mounting plate and 5" concealer plate that installs between fixture and standard 4" 4/0 j-box for existing applications where standard j-box cutout is to be concealed.
- O CMJB**
Ceiling mount junction box perfectly matches the squilinder profile for a continuous, integrated look where exposed ceiling mount junction box and conduit applications apply. For use with 1/2" and 3/4" EMT conduit only. Features three conduit entrances at 12, 3, and 6 o'clock plus one conduit knockout on top. Painted finishes only. Blank off plugs included.



MOUNTING NOTES

- JBMP not recommended for use with pancake style j-box.

SQUILINDER LVS FIXED SUSPENDED MOUNT

TECHNICAL

CONSTRUCTION

Squillinder: Machined aluminum body; painted finishes are granulated powder coat.

Dropkit Stem Assembly: Die-cast aluminum canopies and extruded aluminum stems; painted finishes are granulated powder coat.

CMJB: Die-cast aluminum body; painted finishes are granulated powder coat.

STATIC WHITE LED

2-step MacAdam ellipse LED module available in 80+, 90+ and 97+ CRI configurations in color temperatures of 2200K, 2700K, 3000K, 3500K and 4000K. Average rated lamp life of 50,000 hours. LED and driver assemblies are field-replaceable.

WARM DIM LED

3-step MacAdam ellipse warm dim LED module available in 90+ CRI configuration. 3200K or 2700K at full brightness, warming to 1800K at full dim. Average rated lamp life of 50,000 hours. LED and driver assemblies are field-replaceable.

WALLWASH SPACING

Factory recommends 48" (1219mm) spacing on center with 36" (914mm) setback from wall plane.

MOUNTING

Pendant is supplied with a mounting adaptor plate, which integrates with specified mounting component. Dropkit Stem integrates directly with specified mounting component. JBMP provides a minimalist transition from standard 4/0 or 4" square junction boxes and accommodating ceiling thicknesses of 0.44" (12mm) to 0.75" (19mm). Ceiling-mount junction box available for 1/2" (13mm) and 3/4" (19mm) conduit and feature concealed internal clamps for clean fitting-free conduit exit and entry.

LISTING

cTUVus listed to UL2108 standard for Dry / Damp (IP10) locations.

WARRANTY

Manufacturer's 1-year warranty guarantees product(s) listed to be free from defects in material and workmanship under normal use and service. 5-year warranty on LED to operate with 70% of the original flux and remain within a range of 3 duv. Warranty period begins from the date of shipment by Seller. [Consult website for full warranty terms and conditions.](#)

CHANGE LOG

- 04/29/2021: ADDED WALLWASH UNIBODY AND LP1 DRIVER OFFERINGS.
- 03/17/2021: ADDED SMK MOUNTING OPTION FOR PENDANT.
- 03/17/2021: ADDED CMJB MOUNTING OPTION FOR DROPKIT.
- 01/12/2021: ADDED 2200K, 2700K-1800K WARM DIM AND 10 DEGREE OPTIC OFFERINGS.