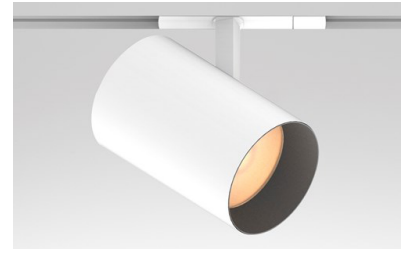




CYLINDER TRACK HEAD INTERNATIONAL CT2-AD

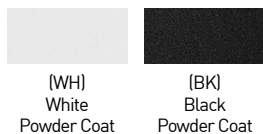
| | |
|---------------|-------|
| PROJECT NAME: | TYPE: |
|---------------|-------|



Highlight art, objects, places, spaces, seating areas, and architectural details with a classic profile that offers easy-to-adjust, in-field versatility.

ORDERING INFORMATION - TRACK HEAD

| CYLINDER | FIXTURE | RATING | CYLINDER FINISH | BAFFLE FINISH | LUMEN PACKAGE | CCT | OPTIC | DRIVER | EFFECTS DEVICE |
|------------|-----------------|------------|----------------------|----------------------|--|---|---|--|---|
| CT2 | AD | 1 | | | | | | IE2 | |
| CT2 3.25" | AD Standard 90° | 1 Dry/Damp | WH White BK Black | WH White BK Black |  STATIC WHITE 80C12A 80+ CRI, Delivered Lumens - 721 80C19A 80+ CRI, Delivered Lumens - 1112 90C10A 90+ CRI, Delivered Lumens - 618 90C15A 90+ CRI, Delivered Lumens - 953 97C09A 97+ CRI, Delivered Lumens - 553 97C14A 97+ CRI, Delivered Lumens - 853 | 22 2200K* <small>* (Only available with 90+ CRI)</small> 27 2700K 30 3000K 35 3500K 40 4000K | 10 10° <small>* (Only available with 80C12A, 90C10A, and 97C09A. Not available with 2200K)</small> 15 15° 25 25° 40 40° 60 60° | IE2 220 240V Electronic ELV Forward / Reverse Phase | STANDARD EFFECTS DEVICE 4 Soft Focus Lens ALTERNATE EFFECTS DEVICE 2 Honeycomb Louver* <small>*(Not available for Warm Dim)</small> 3 Clear Glass Lens* <small>*(Not available for Warm Dim)</small> 5 Frosted Glass Lens 6 Frosted Soft Focus Lens 7 Frosted Linear Spread Lens |
| | | | | |  WARM DIM 90W11A 90+ CRI, Delivered Lumens - 688 Incandescent Profile 90W13A 90+ CRI, Delivered Lumens - 815 Halogen Profile *SEE PAGE 3 FOR DETAILED WARM DIM PROFILE COMPARISON. *ALL DELIVERED LUMEN OUTPUTS REFLECT 3000K PAIRED WITH 40° OPTIC AND SOFT FOCUS LENS. | WL 2700K - 1800K WD 3200K - 1800K | 25 25° 40 40° 60 60° | | |



PART NUMBER NOTES

- CT2 ships as e.g., CT2-AD-1-WHBK-90C10A2-3-IE2-4

ACCESSORIES

ALTERNATE EFFECTS DEVICES

- HCL-CT2 Honeycomb Louver*
*(Not available for Warm Dim)
- CGL-CT2 Clear Glass Lens*
*(Not available for Warm Dim)
- SFL-CT2 Soft Focus Lens
- FGL-CT2 Frosted Glass Lens
- FSFL-CT2 Frosted Soft Focus Lens
- FLSL-CT2 Frosted Linear Spread Lens

REPLACEMENT OPTICS

- Interchangeable optics accessible by removing baffle.
- RO-70-15-1 15° optic*
*(Not available for Warm Dim)
 - RO-70-25-1 25° optic
 - RO-70-40-1 40° optic
 - RO-70-60-1 60° optic

CYLINDER TRACK HEAD INTERNATIONAL CT2-AD

STATIC WHITE PERFORMANCE - 3000K

| LUMEN PACKAGE | WATTAGE | 10° OPTIC NO SOFT FOCUS LENS | | 15° OPTIC SOFT FOCUS LENS | | 20° OPTIC SOFT FOCUS LENS | | 40° OPTIC SOFT FOCUS LENS | | 60° OPTIC SOFT FOCUS LENS | |
|---------------|---------|---------------------------------|----------|------------------------------|-----|------------------------------|-----|------------------------------|-----|------------------------------|-----|
| | | DELIVERED | LPW | DELIVERED | LPW | DELIVERED | LPW | DELIVERED | LPW | DELIVERED | LPW |
| 80C12A | 10 | 845 | 49 (14W) | 819 | 82 | 745 | 75 | 721 | 72 | 770 | 77 |
| 80C19A | 17 | - | - | 1263 | 75 | 1150 | 69 | 1112 | 66 | 1188 | 71 |
| 90C10A | 10 | 717 | 42 (14W) | 701 | 70 | 639 | 64 | 618 | 62 | 660 | 66 |
| 90C15A | 17 | - | - | 1082 | 65 | 985 | 59 | 953 | 57 | 1017 | 61 |
| 97C09A | 10 | 655 | 38 (14W) | 628 | 63 | 572 | 57 | 553 | 55 | 590 | 59 |
| 97C14A | 17 | - | - | 968 | 58 | 881 | 53 | 853 | 51 | 910 | 54 |
| 90W11A | 16 | - | - | 856 | 53 | 834 | 53 | 688 | 44 | 808 | 50 |
| 90W13A | 16 | - | - | 901 | 56 | 842 | 52 | 815 | 50 | 850 | 53 |

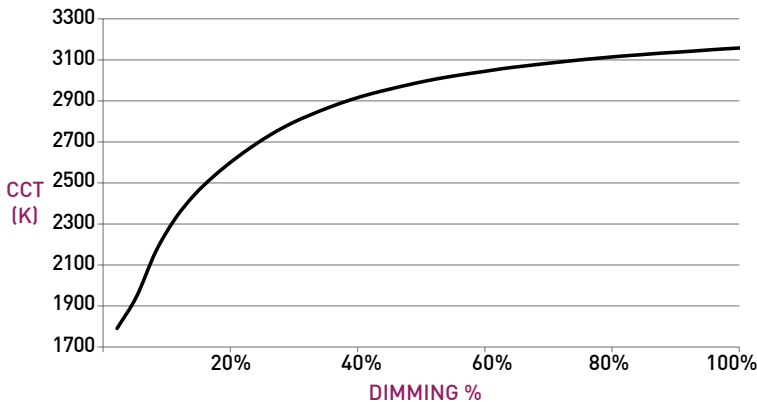
| OUTPUT MULTIPLIER | |
|-------------------|-----------|
| CCT | CCT SCALE |
| 2200K | 0.800 |
| 2700K | 0.957 |
| 3000K | 1.000 |
| 3500K | 1.019 |
| 4000K | 1.030 |

| LIGHT LOSS FACTOR MULTIPLIER | |
|------------------------------|------|
| No Lens | |
| CGL | 1.05 |
| SFL | 1.00 |
| FGL | 0.90 |
| FSFL | 0.87 |
| FLSL | 0.83 |
| WDL | 0.78 |

WARM DIM PERFORMANCE - SOFT FOCUS LENS - 40° OPTIC

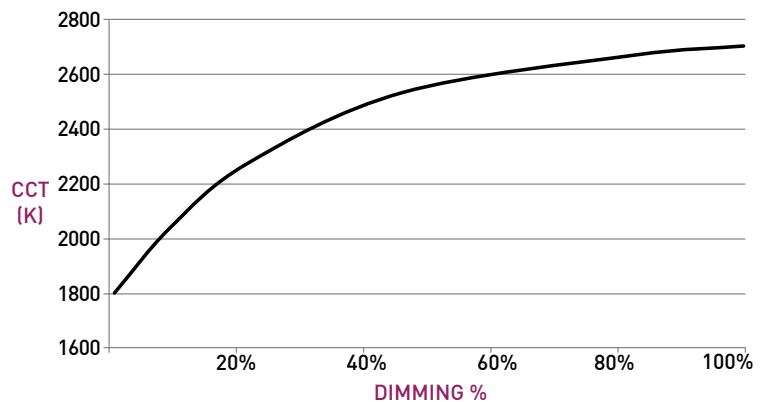
WARM DIM TO MIRROR HALOGEN DIMMING PROFILE

| 90W13A 3200K - 1800K | Full on 100% | Dimmed to 80% | Dimmed to 70% | Dimmed to 50% | Dimmed to 20% | Dimmed to 10% | Dimmed to 2% |
|-------------------------|-----------------|------------------|------------------|------------------|------------------|------------------|-----------------|
| CCT (K) | 3200 | 3150 | 3100 | 3000 | 2700 | 2200 | 1800 |
| Light Output (Lm) | 815 | 652 | 570 | 407 | 163 | 81 | 16 |
| Power (W) | 16 | 13 | 11 | 8 | 3 | 1.7 | 0.3 |
| Efficacy (LPW) | 50 | 50 | 50 | 50 | 50 | 50 | 50 |



WARM DIM TO MIRROR INCANDESCENT DIMMING PROFILE

| 90W11A 2700K - 1800K | Full on 100% | Dimmed to 80% | Dimmed to 70% | Dimmed to 50% | Dimmed to 20% | Dimmed to 10% | Dimmed to 2% |
|-------------------------|-----------------|------------------|------------------|------------------|------------------|------------------|-----------------|
| CCT (K) | 2700 | 2650 | 2620 | 2520 | 2180 | 1950 | 1800 |
| Light Output (Lm) | 688 | 550 | 482 | 344 | 138 | 69 | 14 |
| Power (W) | 16 | 13 | 11 | 8 | 3 | 1.7 | 0.3 |
| Efficacy (LPW) | 44 | 44 | 44 | 44 | 44 | 44 | 44 |

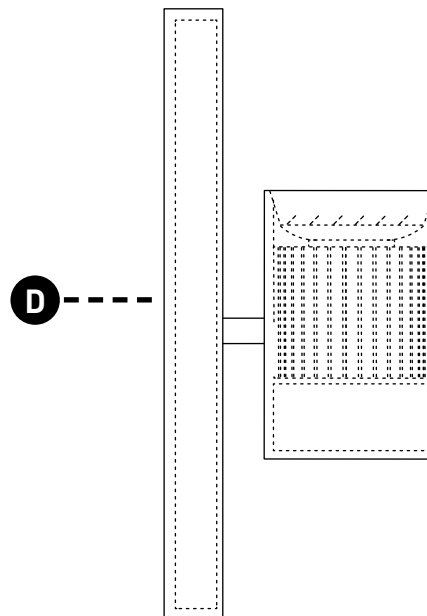
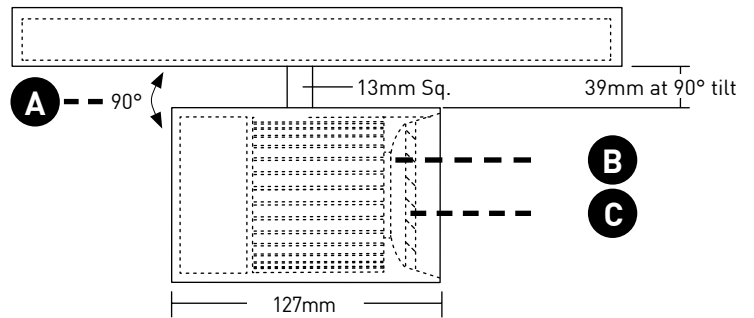
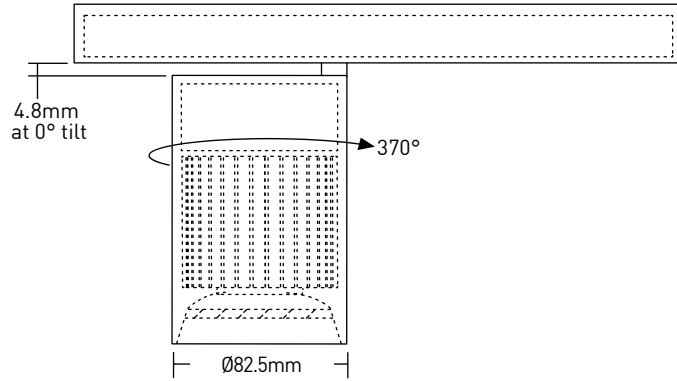


CYLINDER TRACK HEAD INTERNATIONAL CT2-AD

TRACK HEAD

- A ADJUSTABILITY**
Power supply integrated into fixture body.
Toolless hot-aim up to 90° tilt and 370° rotation.
- B OPTICS**
Proprietary optics available in 10°, 15°, 25°, 40° & 60° beams.
- C EFFECTS DEVICES**
Track Head accepts 1 lens; comes standard with Soft Focus Lens.
- D WALL MOUNT**
CT2 may be installed in vertical track or wall mounted.

DIMENSIONS / DRAWINGS



CYLINDER TRACK HEAD INTERNATIONAL CT2-AD

TECHNICAL

CONSTRUCTION

Track Head: Machined aluminum body; painted finishes are granulated powder coat.

STATIC WHITE LED

2-step MacAdam ellipse LED module available in 80+, 90+ and 97+ CRI configurations in color temperatures of 2200K, 2700K, 3000K, 3500K and 4000K. Average rated lamp life: 50,000 hours. LED and driver assemblies are field-replaceable.

WARM DIM LED

3-step MacAdam ellipse warm dim LED module available in 90+ CRI configuration. 3200K or 2700K at full brightness, warming to 1800K at full dim. Average rated lamp life of 50,000 hours. LED and driver assemblies are field-replaceable.

POWER SUPPLY PERFORMANCE AND DIMMING INFORMATION

| Power Supply | IE2 |
|--------------|--------|
| Minimum °C | -20 °C |
| Maximum °C | 40 °C |
| Dimming % | 2.0% |

MOUNTING

Cylinder track head mounts to recessed or surface mount track assemblies, specified separately.

LISTING

Track heads and drivers CE Listed for dry locations. Drivers ENEC and CB Listed.

WARRANTY

Manufacturer's 1-year warranty guarantees product(s) listed to be free from defects in material and workmanship under normal use and service. 5-year warranty on LED and power supply to operate with 70% of the original flux and remain within a range of 3 duv. Warranty period begins from the date of shipment by Seller. [Consult website for full warranty terms and conditions.](#)

CHANGE LOG

- 01/21/2021: ADDED 2200K, 2700K-1800K WARM DIM AND 10 DEGREE OPTIC OFFERINGS.
- 07/02/2021: REMOVED WALL MOUNT FROM ORDERING INFORMATION, THIS OPTION NOW COMES STANDARD ON ALL TRACKHEADS.