

CYLINDER-CY4 SURFACE MOUNT

CYLINDER LED LUMINAIRE CY4 SERIES

INSTALLATION

Before beginning any CYLINDER installation, disconnect electrical power at main switch or circuit breaker.

A. CAUTION

To reduce the risk of fire, electric shock, and potential damage to driver or LED assemblies when electrical power is applied, DO NOT ATTEMPT TO CONNECT the following on branch circuit serving cylinder assembly:

- Motors
- Power tools
- Extension cords
- Appliances or similar electronics

Fixtures to be mounted in conditions where ambient temperatures do not exceed 40°C.

Ensure AC input voltage is protected against surges & load shifts prior to power supply input.

B. SAFETY INSTRUCTIONS

1. Read installation instructions completely before attempting installation.
2. Failure to follow instructions may result in improper installation and void warranty.
3. Contact Lucifer Lighting Company with any questions or concerns before beginning any installation.
4. Ensure qualified electrician will perform all electrical procedures.
5. Disconnect electrical power circuit before attempting to install Cylinder, or if adding to or changing configuration of Cylinder assembly.
6. CAUTION: When fixture is on for long periods the Cylinder surface will be hot. Take care when making adjustments.

This product must be installed in accordance with applicable electrical and installation codes by a person familiar with the construction and operation of the product and the hazards involved. "CAUTION- RISK OF FIRE"

C. DESCRIPTION

Surface mounted Cylinder with dimmable LED module and integral or remote driver. Cylinders feature lockable 365° rotation and precision friction lock 90° tilt.

D. MOUNTING

CY4 may be ceiling mounted for Dry / Damp (IP30) and Wet locations (IP54 & IP55), or wall mounted for Dry / Damp (IP30) locations.

CY4-CMJB:

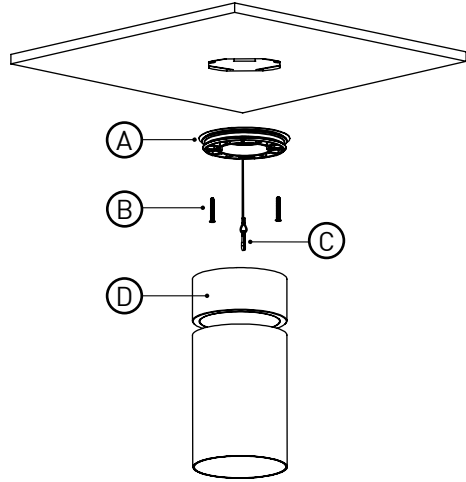
Lucifer designed ceiling mount j-box for 1/2" and 3/4" direct conduit feed and matches CY4 profile for continuous, integrated look (section D.3, page 4).

D.1 DOMESTIC MOUNTING ADAPTOR INSTALLATION

PARTS IDENTIFICATION

Part ID	Description	Qty.
A	Mounting Adaptor	1
B	Mounting Screws	2
C	Safety Lanyard	1
D	Cylinder Assembly	1

NOTE: Mounting adaptor ships with Cylinder assembly.

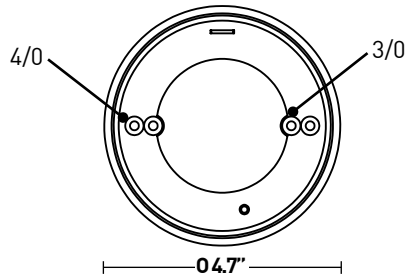
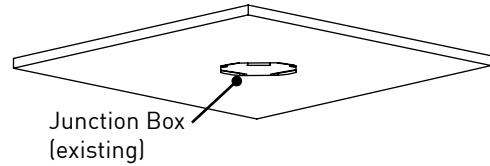


STEP 1

Mounting adaptor accommodates standard 3" and standard 4" octagon junction boxes and features 4.7" diameter.

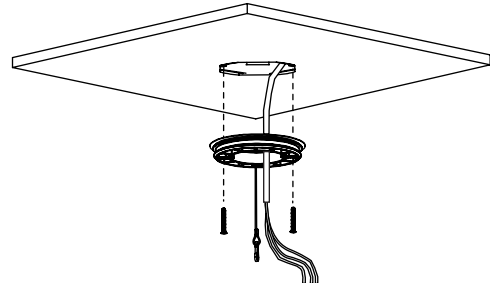
For new construction ensure ceiling cutout does not exceed 4.25" diameter.

For remodel applications remove existing fixture and mounting hardware, ensuring the ceiling area is level and free from debris.



STEP 2

Guide line voltage and control wiring (if applicable) through mounting adaptor and attach mounting adaptor to junction box with supplied mounting screws. Use outer holes for 4/0 and inner holes for 3/0 junction boxes.



D.2 INTERNATIONAL MOUNTING ADAPTOR INSTALLATION

PARTS IDENTIFICATION

Part ID	Description	Qty.
A	Mounting Plate	1
B	Mounting Adaptor	1
C	Mounting Screws	2
D	Safety Lanyard	1
E	Cylinder Assembly	1

NOTE: Mounting plate and adaptor ships with Cylinder assembly.

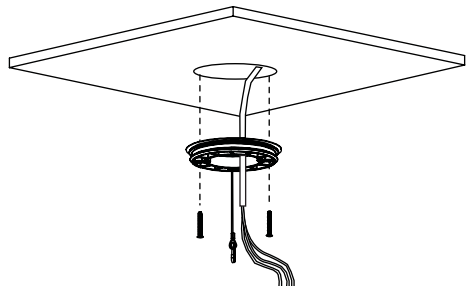
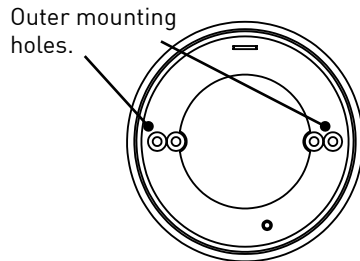
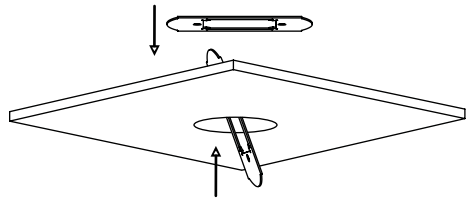
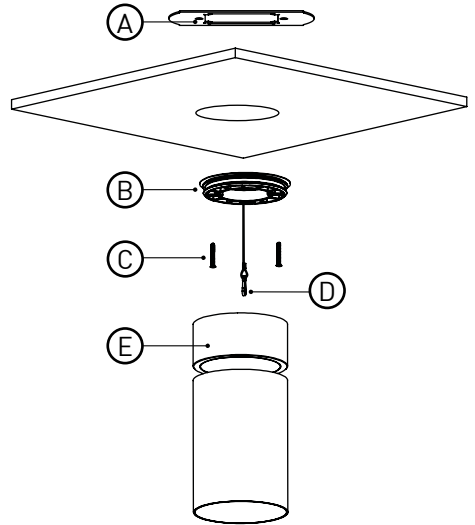
STEP 1

Make ceiling cutout. For new construction ensure ceiling cutout does not exceed 102mm diameter.

For remodel applications remove existing fixture and mounting hardware, ensuring the ceiling area is level and free from debris.

STEP 2

Place mounting plate atop ceiling over cutout and guide line voltage and control wiring (if applicable) through mounting plate and plate and adaptor. Attach mounting adaptor to mounting plate using supplied mounting screws, utilize outer mounting holes.

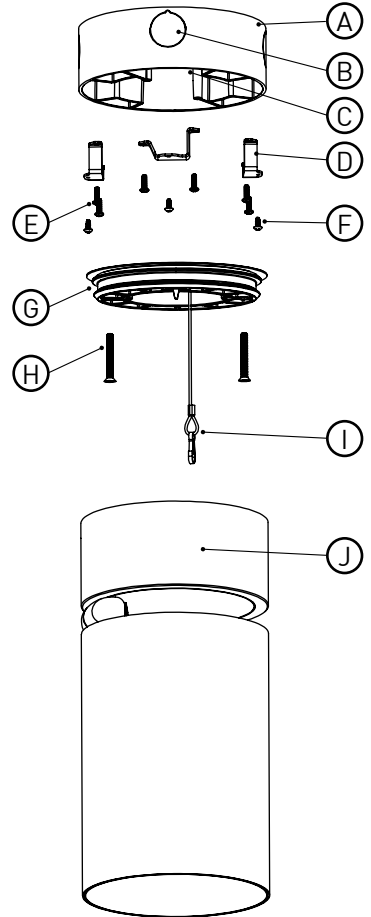


D.3 CEILING MOUNT JUNCTION BOX INSTALLATION

PARTS IDENTIFICATION

Part ID	Description	Qty.
A	CY4-CMJB	1
B	Blank-off Plug	3
C	Ground Lug (Hidden)	1
D	Conduit Clamp	3
E	Clamp Screws	6
F	Conduit Locking Screw	3
G	Mounting Adaptor	1
H	Mounting Screws	2
I	Safety Lanyard	1
J	Cylinder Assembly	1

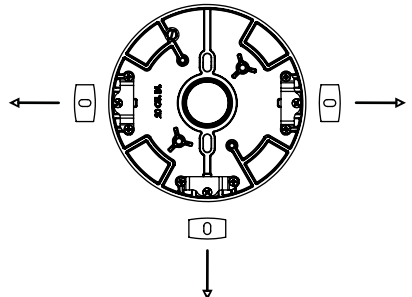
NOTE: Mounting adaptor plate ships with Cylinder assembly.



STEP 1A - 3/4" CONDUIT

For 3/4" conduit, loosen conduit clamps and conduit locking screw, discard applicable blank-off plug(s).

NOTE: Maximum 3/4" conduit throat diameter is 0.819" (20.8 mm), per UL code.

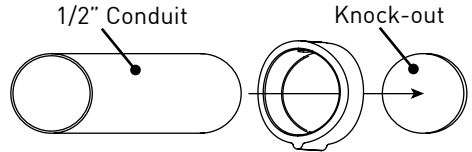
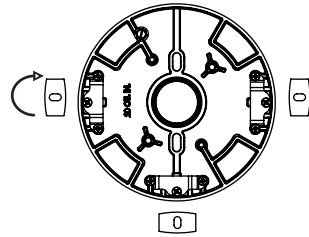


STEP 1B - 1/2" CONDUIT

Scan QR code and reference knock-out removal video. Loosen clamp and locking screw to remove plug(s). On a protected concrete surface, remove knock-out from plug using 1/2" conduit and reinstall in reverse orientation.

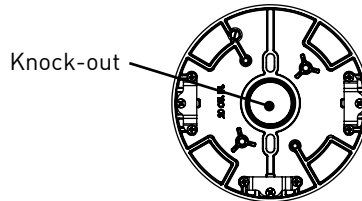
NOTE: Maximum 1/2" conduit throat diameter is 0.622" (15.8 mm), per UL code.

Knock-out Removal



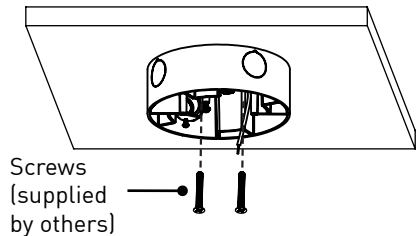
STEP 1C - TOP FEED

Place CMJB on a soft surface, top facing up, and remove top knock out.



STEP 2

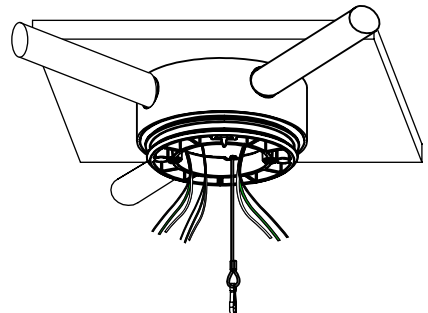
Ensure the ceiling plane is level and free from debris, firmly secure j-box to ceiling with suitable anchors / screws.



STEP 3

Run conduit and / or wiring to the CMJB, as required. On applications using 1/2" conduit, tighten clamp screws and conduit locking screw. Install mounting adaptor (Ref. D.1).

Please refer to section K, page 12 of this install guide for Cylinder wiring and mounting instructions.



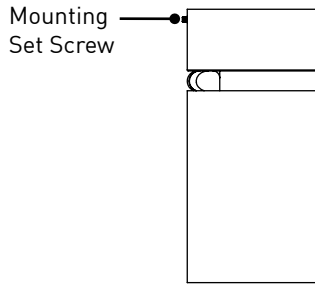
E. WIRING & MOUNTING

If using remote power supply, see Section G for Domestic or H for International installations.

STEP 1

Back out 3/32" hex set screw on canopy six full turns, ensuring it is not removed completely.

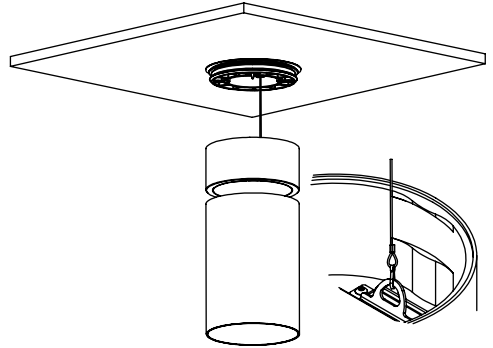
Installers Note: Using a Ball End Hex Key tool is recommended.



STEP 2

Connect Cylinder to mounting plate safety lanyard.

WARNING: Failure to attach safety lanyard may result in an unsafe condition.



STEP 3

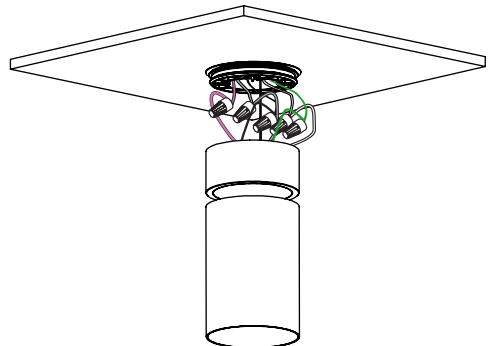
Attach wiring from line / mains source as indicated with suitable wire-nuts or similar connectors. For 0-10V dimming option, use purple and gray wires. Push connections, excess wiring, and lanyard into junction box.

DOMESTIC

Black - Line
White - Neutral
Green - Ground
Purple - Dim +
Gray - Dim -

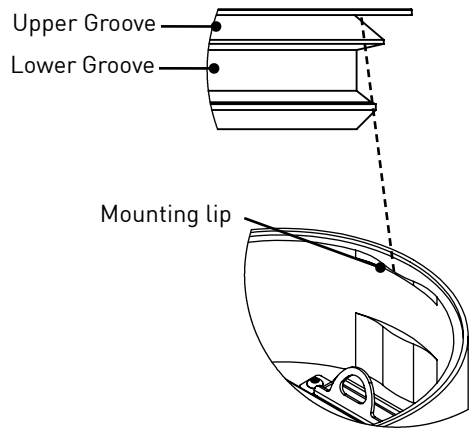
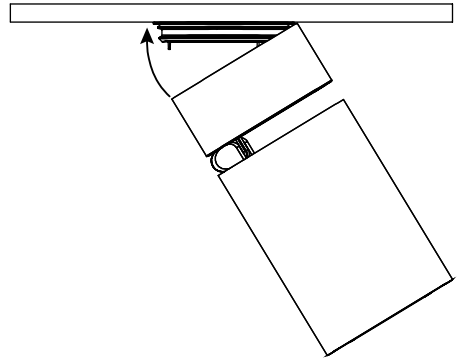
INTERNATIONAL

Brown - Mains
Blue - Neutral
Green - Ground
Purple - Dim +
Gray - Dim -



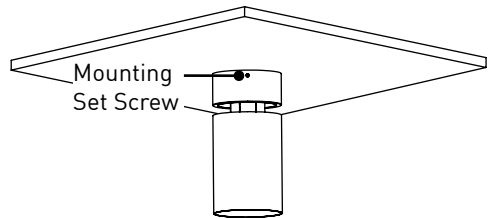
STEP 4

With fixture at slight angle, key mounting lip into the upper groove of the adaptor, being careful to not mar the ceiling. With lip engaged, tilt the cylinder canopy up and flush with ceiling or CMJB.



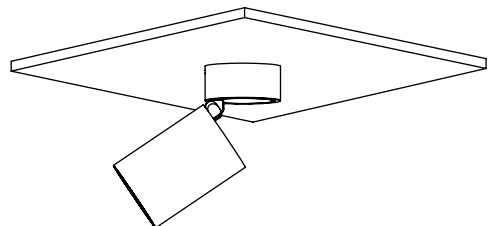
STEP 5

Tighten the mounting set screw until secured onto the lower groove of the mounting adaptor. For aiming, loosen mounting set screw slightly to facilitate rotation.



STEP 6

Rotate and aim adjustable fixtures to achieve desired effect. Lock mounting set screw when aiming is complete.



F. WET LOCATION INSTALLATIONS (IP54 & IP55)

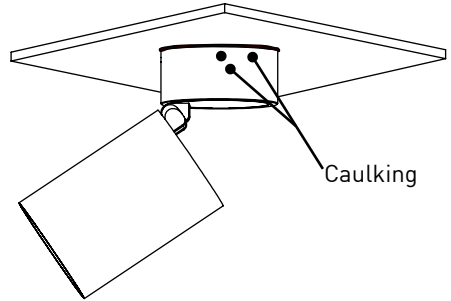
Do not apply caulking fixture until aiming is completed.

STEP 1

With fixture aiming completed, apply a fillet seal around the fixture canopy mounting surface.

STEP 2

Apply caulk to the set screw.



G. DOMESTIC REMOTE POWER SUPPLY

NOT SUITABLE FOR RECESSED APPLICATIONS

Do not install in environments where ambient temperatures exceed 35°C (95°F).

Determine preferred mounting location, verifying Cylinder falls within allowable wire capacity distance from selected power supply (Ref. Page 15).

Run suitably sized two-pair wire between remote driver and Cylinder location, following installation guidelines for terminating, as applies.

Note: Secondary wiring is polarized (+ / -) and must be terminated correctly at both ends for proper operation. It is recommended to use Red (+) and Black (-) wires to avoid confusion. Additionally, a ground wire should not accompany secondary run wires.

WARNING: Failure to use the appropriate gauge wire for the run length required and to ensure proper polarity is observed will cause damage to the unit and void the warranty.

Access splice compartment by removing retaining screws, then tilting cover slightly back and away from base (fig.1).

Mount power supply back plate assembly to suitable substrate using customer supplied screws (fig.2).

Insert line / mains and control voltage wiring / conduit into line side of splice compartment and secondary voltage wiring / conduit into secondary side of splice compartment utilizing appropriate strain relief or connector (fig.3).

Note: Consult wiring diagrams on page 13, in accordance with the applicable driver.

Join structured building wires to corresponding driver wires with suitable customer supplied wire connecting device, ensuring proper polarity is observed with secondary wires.

Push all wires and wire connections into splice compartment and reinstall splice compartment cover by aligning tab and slot, ensuring no wires are pinched by cover. Install retaining screws (fig. 3).

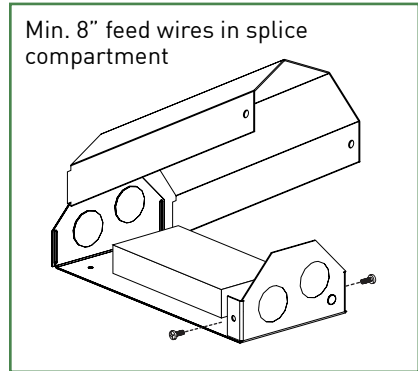


Fig.1

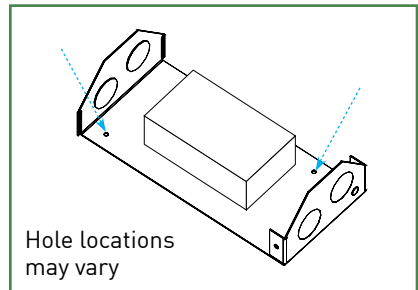


Fig.2

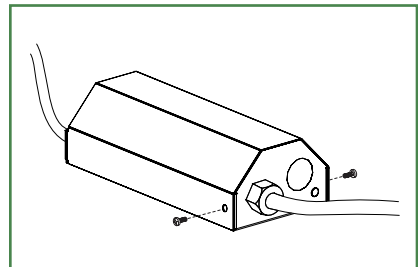


Fig.3

H. INTERNATIONAL REMOTE POWER SUPPLY

Driver assembly provides integral wiring terminal (Fig.4) and typically accepts 3 wires for connecting to the mains voltage: black, white and green (Fig.5) plus any control wiring required.

Place power supply atop ceiling and prior to the installation of the mounting plate and make line/mains and any control wiring connections on integral wiring terminal.

Driver and cylinder feature 2-pin quick connector for making secondary wiring connection, make connection and reference section E to mount cylinder.

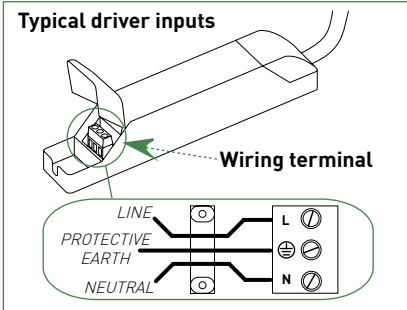


Fig.4

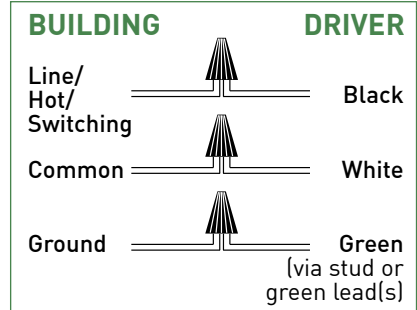
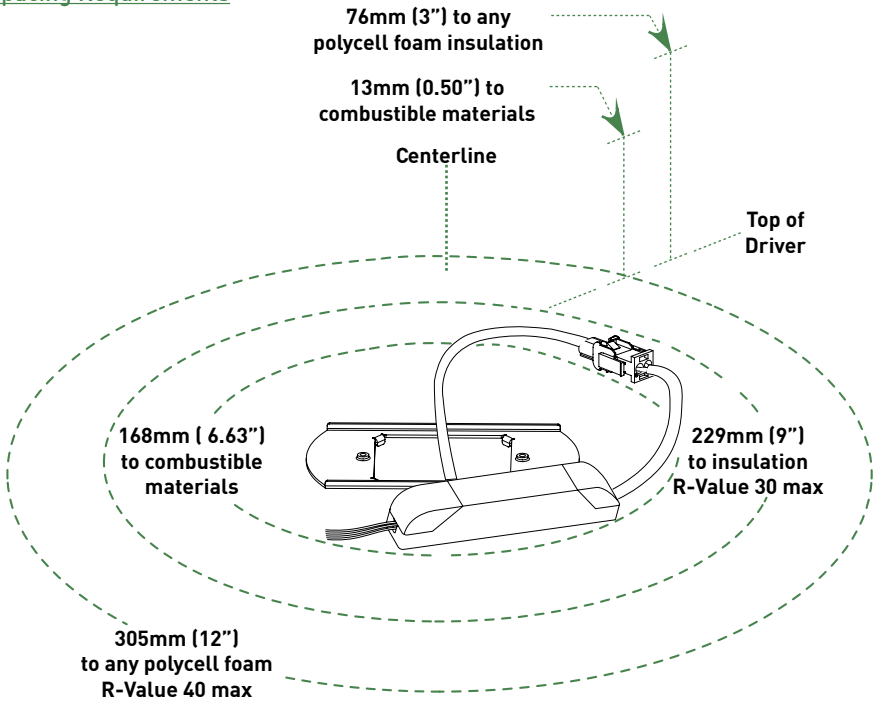


Fig.5

Spacing Requirements



I. EFFECTS DEVICE REPLACEMENT

STEP 1

Grasp inner lip of baffle assembly and carefully pull down to remove.

STEP 2

To access effects device, turn lens retainer counter clockwise and remove from baffle base.

Note: Fixture can accommodate up to two effects devices.

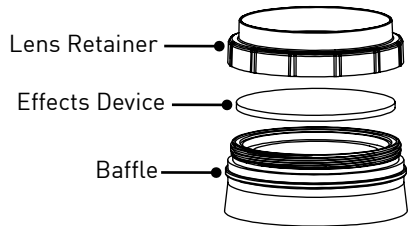
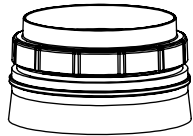
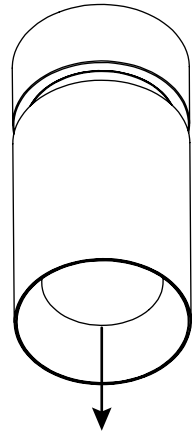
STEP 3

With effects device(s) installed, reinstall lens retainer to baffle base, turning clockwise until secure.

STEP 4

Carefully reinstall baffle assembly by pushing up into fixture.

Note: For wet location fixtures (IP54 or IP55), fully seat lens to ensure dust and water ingress protection.



J. OPTIC REPLACEMENT

STEP 1

Grasp inner lip of baffle and carefully pull down to remove.

STEP 2

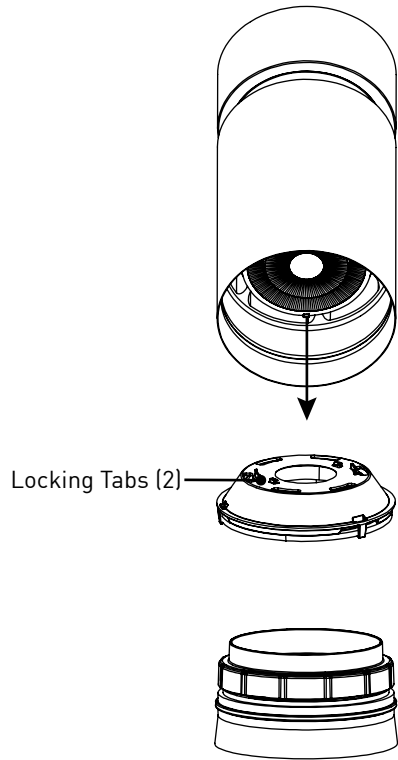
Turn optic assembly counter clockwise and pull down to remove from fixture.

STEP 3

Install optic assembly by aligning locking tabs of assembly with LED base, turning clockwise.

STEP 4

Carefully reinstall baffle assembly by pushing up into fixture.



K. DRIVER REPLACEMENT

STEP 1

Remove 2 screws located on either end of the driver and the 2 screws securing the strain relief using 3/32" Allen wrench.

STEP 2

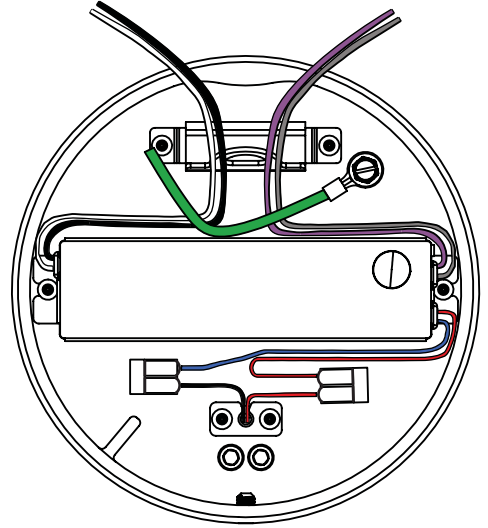
Disconnect secondary voltage wiring to LED from driver, plus remove line / mains and control voltage jumpers.

STEP 3

Remove driver from fixture canopy and install replacement driver securing with two screws.

STEP 4

Reconnect secondary voltage wiring to LED from driver, ensuring polarity to LED is correct, plus reattach line / mains and control voltage jumpers. See diagram below.



Line / Mains and Control Voltage:

DOMESTIC

Black - Line
White - Neutral
Green - Ground
Purple - Dim +
Gray - Dim -

INTERNATIONAL

Brown - Mains
Blue - Neutral
Green - Ground
Purple - Dim +
Gray - Dim -

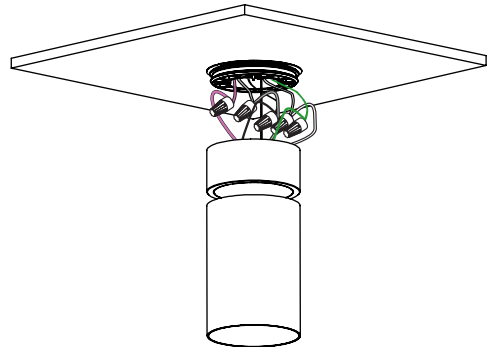
Secondary LED Voltage:

DOMESTIC

Red (+) - Red (+)
Blue (-) - Black (-)

INTERNATIONAL

Red (+) - Red (+)
Black (-) - Black (-)

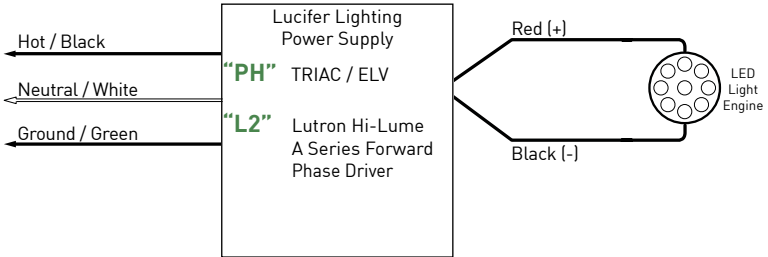


STEP 5

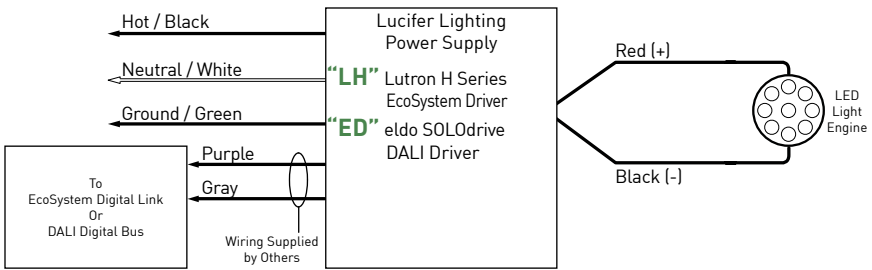
Reference section E for fixture installation.

L. DRIVER WIRING DETAIL

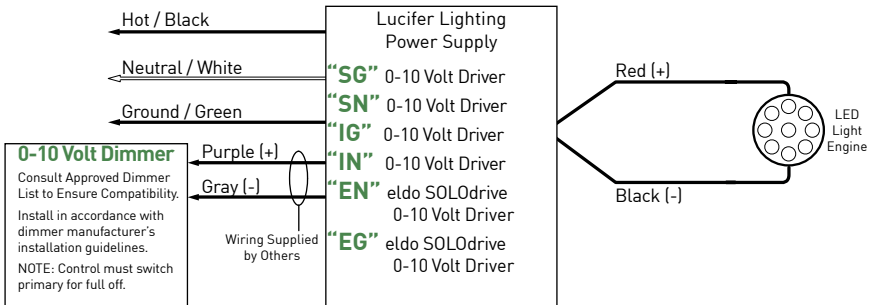
WIRING DIAGRAM FOR PHASE DIMMING



WIRING DIAGRAM FOR ECOSYSTEM AND DIGITAL CONTROL



WIRING DIAGRAM FOR ANALOG CONTROL



MAXIMUM ALLOWABLE WIRING DISTANCES

Lutron Drivers: "L2" & "LH"

AWG Value	18	16	14	12
Distance (m)	4.5	7.5	12	18
Distance (ft)	15	25	40	60

eldoLED Drivers: "ED", "EG", "EN"

AWG Value	20	19	18	17	16
Distance (m)	14	18	22	28	36
Distance (ft)	46	59	72	92	118

LIMITED WARRANTY

LUCIFER LIGHTING COMPANY (Seller) warrants that for a period of one (1) year from date of sale to the first non-retail purchaser, Seller will repair or replace, at the Seller's sole option, free of charge, any defective products purchased from Seller provided that prior authorization is obtained from the Seller and the products are sent prepaid to the Seller's manufacturing facility. Lamps are not warranted or guaranteed in any manner for any length of time, except LED lamp modules and power supplies used in Seller's recessed, surface mount and exterior lighting fixtures, are warranted to operate with 70% lumen maintenance from the date of sale by Seller for five (5) years. LED MR-16 style lamps supplied by Seller are only warranted as provided by their original maker. Please refer to the following limiting conditions.

1. The Citizen, Bridgelux, Xicato, Sharp and Lumenetix LED lamp modules provided by Seller are only suitable for use in ceiling or plenum conditions where the maximum operating temperature of the module does not exceed 90°C (194°F) and/or the ambient temperature does not exceed 40°C (104°F) or lower threshold as featured on Seller's product specification literature.
2. These terms only cover the power supply (if purchased from Seller) and Citizen, Bridgelux, Xicato, Sharp, and Lumenetix LED modules.
3. If installed outdoors, the power supply must always be shielded from direct sunlight. The power supply cannot be installed in areas where liquids may pool.
4. The end user must ensure that the AC input voltage has measures in place to prevent lightning strike surges and that large load shift surges are reduced or eliminated prior to the input of the power supply. Power supplies returned with this type of damage are not covered under Seller's Limited Warranty.
5. Seller reserves the right to physically evaluate the LED module and driver supplied by Seller for compliance with these conditions. An end user's refusal to return such fixture articles shall void Seller's Limited Warranty.
6. The LED module will be considered in working condition and therefore not warrantable if it meets or exceeds 70% of its original flux and remains within a range of 3 div.
7. The color temperature of the Citizen, Bridgelux, Xicato, Sharp and Lumenetix LED module is guaranteed to remain within a range of 3 div for a period of five (5) years from date of sale by Seller.
8. Any tampering or disassembly of the LED module or LED heat-sink assembly without Seller's prior written consent will immediately void the warranty.

Where Seller's fixtures are used in conjunction with drivers/power supplies sourced by others and/or where POE (power over ethernet) systems are present, Seller's warranty will only apply to the Seller supplied lighting fixtures. In all instances where drivers/power supplies and/or POE are by others, the responsibility to confirm the selected power supply(s) conforms to operating parameters of Seller's fixtures shall be the responsibility of others. Approved parameters (involving voltage, current, and power quality for the selected fixtures and outputs) will be provided by Seller upon request, however the parameters should not be considered exhaustive for the purpose of the warranty and represents a good faith effort by Seller to support its customers. All warranty claims are subject to Seller's review and if Seller determines the root cause of the issue involves supplied power supply(s) by others, Seller's warranty shall not be applicable. Further, in such events of supplied power supply(s) by others, Seller makes no guarantee as to fixture operating performance (startup time, flicker, shimmer, pop-on/pop-off, dimming, etc.). In no event shall Seller's obligations under this warranty extend beyond the initial cost of the products and, accordingly, consequential damages arising out of any claimed product defect are expressly excluded. This Warranty does not cover the costs, if any, in re-installation of products serviced under this Warranty. This Warranty does not cover damage or failure caused by acts of God, abuse, misuse, abnormal usage, or use in violation of any applicable standard, code or instructions for use in installations including those contained in the latest National Electrical Code (NEC), the standards for safety of Underwriters Laboratory, Inc. (UL), standards for the American National Standards Institute (ANSI) or, in Canada, the Canadian Standards Association (CSA), or, in the European Union, the Conformité Européenne (CE Marking), faulty installation, or any repairs or modifications other than those made by the Seller. This Warranty does not cover damage or failure caused by abnormal spikes in power, dirty power, and light fixtures used with power supplies or other products not supplied by Seller, nor shall it apply to defects for which written notice thereof is not received by Seller.

In the event that any of the terms of this Warranty are in conflict with any rule of law or statutory provision or otherwise unenforceable under the laws or regulations of any government or subdivision thereof, such terms shall be deemed stricken from this Warranty, but such invalidity or unenforceability shall not invalidate any of the other terms of this Warranty and this Warranty shall continue in force.

EXCEPT AS TO SELLER'S WARRANTY OF REPAIR OR REPLACEMENT SET FORTH ABOVE, THERE ARE NO UNDERSTANDINGS, AGREEMENTS, REPRESENTATIONS, OR WARRANTIES, EXPRESS OR IMPLIED (INCLUDING ANY REGARDING THE MERCHANTABILITY OR FITNESS FOR A PARTICULAR PURPOSE, AND NON-INFRINGEMENT, AND ANY WARRANTIES ARISING FROM A COURSE OF DEALING, USAGE, OR TRADE PRACTICE), RESPECTING LUCIFER LIGHTING COMPANY PRODUCTS. THIS WARRANTY IS THE PURCHASER'S SOLE AND EXCLUSIVE REMEDY AGAINST THE SELLER FOR THE REPAIR OR REPLACEMENT AT SELLER'S OPTION OF DEFECTIVE LUCIFER LIGHTING PRODUCTS. UNDER NO CIRCUMSTANCES SHALL SELLER BE LIABLE FOR ANY LOSS OR DAMAGE, DIRECT OR CONSEQUENTIAL, ARISING OUT OF THE USE OF, OR INABILITY TO USE, THE PRODUCTS SOLD HEREUNDER.

For service under this warranty, please provide the original date of sale and nature of difficulty being experienced. All service matters should be directed to:

[030620]

3750 IH 35 North

San Antonio, Texas 78219 USA

[PH] +1 210 227 7329

[FAX] +1 210 227 4967

www.luciferlighting.com

LUCIFER®
LIGHTING COMPANY

©2020 Lucifer Lighting Company

As part of its policy of continuous research and product development, the Company reserves the right to change or withdraw specifications without prior notice.