

# MONOPOINT CM1 WALL MOUNT

Elegant design mounts seamlessly and invisibly to the wall. An inventive elbow built into the fixture body that features a full 90 degree tilt.

PROJECT NAME:	TYPE:
---------------	-------



## ORDERING INFORMATION - MONOPOINT



JA8-2022 COMPLIANCE INDICATED BY SHADING

CYLINDER	LENGTH	FIXTURE	BODY FINISH	BAFFLE FINISH	STEM FINISH	CRI / WATTAGE PACKAGE	CCT	OPTIC (UGR)	DRIVER	MEDIA	MOUNTING
<b>CM1</b>	<b>SL</b>	<b>F92</b>									
CM1 2.60"	LENGTHS SL 1.4" Standard  STEM IS NOT FIELD CUTTABLE	FIXED ANGLE WET (IP65)  F92 Fixed 90° Tilt	<b>POWDERCOAT</b>	<b>POWDERCOAT</b>	<b>POWDERCOAT</b>	<b>STATIC WHITE</b>	<b>24</b> 2400K* *(90+ CRI only)	<b>10</b> 10° (>19)	<b>INTEGRAL</b>	<b>STANDARD MEDIA</b>	<b>ROUGH-IN</b>
			<b>WH</b> White	<b>WH</b> White	<b>WH</b> White	<b>80S11A</b> 80+ CRI, 11 Watts lm Delivered - 1095	<b>27</b> 2700K	<b>15</b> 15° (<13)	<b>CA</b> 0-10V Analog 120-277V	<b>4</b> Soft Focus Lens* *(Required for 10° optic)	<b>J</b> JBMP 4" Sq. or 4/0 Junction Box Mounting Plate. Features 2.6" diameter canopy.* *(Mounting plate must be installed on junction box prior to substrate installation)
			<b>BK</b> Black	<b>BK</b> Black	<b>BK</b> Black	<b>90S11A</b> 90+ CRI, 11 Watts lm Delivered - 941	<b>30</b> 3000K	<b>20</b> 20° (<10)	<b>CE</b> Electronic ELV / TRIAC 120V		
			<b>AB</b> Architectural Bronze	<b>AB</b> Architectural Bronze	<b>AB</b> Architectural Bronze	<b>97S11A</b> 97+ CRI, 11 Watts lm Delivered - 826	<b>35</b> 3500K	<b>25</b> 25° (<10)	<b>RE</b> Electronic ELV / TRIAC	<b>REMOTE (120V)</b>	<b>ALTERNATE MEDIA</b>
			<b>AG</b> Satin Silver	<b>AG</b> Satin Silver	<b>AG</b> Satin Silver		<b>40</b> 4000K	<b>40</b> 40° (<10)		<b>RE</b> Electronic ELV / TRIAC	<b>3</b> Clear Glass Lens* *(Standard with 10° optic. Not available for Warm Dim.)
			<b>AU</b> Cashmere Gold	<b>AU</b> Cashmere Gold	<b>AU</b> Cashmere Gold			<b>60</b> 60° (<13)			<b>5</b> Frosted Glass Lens
			<b>BB</b> Burnt Bronze	<b>BB</b> Burnt Bronze	<b>BB</b> Burnt Bronze					<b>REMOTE (120V-277V)</b>	<b>6</b> Frosted Soft Focus Lens
			<b>CF</b> Custom Finish* *(Consult Factory)	<b>CF</b> Custom Finish* *(Consult Factory)	<b>CF</b> Custom Finish* *(Consult Factory)					<b>RA</b> 0-10V Analog	<b>7</b> Frosted Linear Spread Lens
			<b>ALUMINA INTERIOR APPLICATIONS ONLY</b>	<b>ALUMINA CONSULT FACTORY FOR ALUMINA FINISHES</b>	<b>ALUMINA CONSULT FACTORY FOR ALUMINA FINISHES</b>					<b>LH</b> Lutron, Hi-Lume Ecosystem 1% Fade to Black,	<b>S</b> Soft Focus Lens w/ Honeycomb Louver
			<b>01</b> Brushed Obsidian							<b>LP</b> Lutron, Hi-Lume Premier Ecosystem 0.1% Fade to Black	<b>F</b> Frosted Glass Lens w/ Honeycomb Louver
			<b>02</b> Matte Obsidian							<b>EG</b> eldoLED, SOLdrive 0.1% 0-10V, LOG	
			<b>03</b> Brushed Dark Patinated Bronze							<b>EN</b> eldoLED, SOLdrive 0.1% 0-10V, LIN	
			<b>04</b> Matte Dark Patinated Bronze							<b>ED</b> eldoLED, SOLdrive 0.1% DALI-2, LOG	
			<b>05</b> Brushed Aged Aluminum							<b>AS1 / Athena Control</b> <b>ASR</b> eldoLED, DUALdrive 0.1%*	
			<b>06</b> Matte Aged Aluminum							<b>CS1 / Casambi Control</b> <b>CSR</b> eldoLED, DUALdrive 0.1%*	
<b>07</b> Brushed Cast Brass							<b>DD</b> eldoLED, DUALdrive 0.1% DALI-2, LOG				
<b>08</b> Matte Cast Brass							<b>DG</b> eldoLED, DUALdrive 0.1% 0-10V, LOG				
<b>09</b> Brushed Light Patinated Bronze							<b>DN</b> eldoLED, DUALdrive 0.1% 0-10V, LIN				
<b>10</b> Matte Light Patinated Bronze							<b>AD1 / Athena Control</b> <b>ADR</b> eldoLED, DUALdrive 0.1%*				
<b>ALUMINA NOT RECOMMENDED FOR EXTERIOR APPLICATIONS, FINISHES ARE NOT UV RATED</b>							<b>CD1 / Casambi Control</b> <b>CDR</b> eldoLED, DUALdrive 0.1%*				
							<b>SEE PAGE 4 FOR WARM DIM PROFILE COMPARISON</b>	<b>TUNABLE WHITE POWER SUPPLIES (120-277V)</b>			
								<b>DD</b> eldoLED, DUALdrive 0.1% DALI-2, LOG			
								<b>DG</b> eldoLED, DUALdrive 0.1% 0-10V, LOG			
								<b>DN</b> eldoLED, DUALdrive 0.1% 0-10V, LIN			
								<b>AD1 / Athena Control</b> <b>ADR</b> eldoLED, DUALdrive 0.1%*			
								<b>CD1 / Casambi Control</b> <b>CDR</b> eldoLED, DUALdrive 0.1%*			
								<b>SEE PAGE 3 FOR UGR RATINGS</b>			
								<b>ALL LLM DELIVERED AND T24 COMPLIANCE REFLECT 3000K PAIRED WITH 25° OPTIC AND SOFT FOCUS LENS</b>			

### PART NUMBER NOTES

- CM1 ships as e.g., CM1SLF92WHBK90S11\*3040CA\*4F
- Remote driver ships as e.g., PS-RMT-90S-11A-1RE\*
- Mounting ships separate from fixture, part numbers listed on page 6.



# MONOPOINT CM1 WALL MOUNT

## FINISHES

### POWDERCOAT FINISHES



### ALUMINA FINISHES BY LUCIFER LIGHTING™



## ACCESSORIES

### REPLACEMENT MEDIA

- HCL-CT1** Honeycomb Louver\*  
\*(Not available for Warm Dim)
- CGL-CT1** Clear Glass Lens\*  
\*(Not available for Warm Dim)
- SFL-CT1** Soft Focus Lens
- FGL-CT1** Frosted Glass Lens
- FSFL-CT1** Frosted Soft Focus Lens
- FLSL-CT1** Frosted Linear Spread Lens

### REPLACEMENT OPTICS

Interchangeable optics accessible by removing baffle.

- | Static White   | Warm Dim   | Tunable White  |
|--|--|--|
| <input type="checkbox"/> <b>RO-50-15-S</b> 15° optic | <input type="checkbox"/> <b>RO-50-20-W</b> 20° optic | <input type="checkbox"/> <b>RO-50-15-S</b> 15° optic |
| <input type="checkbox"/> <b>RO-50-20-S</b> 20° optic | <input type="checkbox"/> <b>RO-50-25-W</b> 25° optic | <input type="checkbox"/> <b>RO-50-20-S</b> 20° optic |
| <input type="checkbox"/> <b>RO-50-25-S</b> 25° optic | <input type="checkbox"/> <b>RO-50-40-W</b> 40° optic | <input type="checkbox"/> <b>RO-50-25-S</b> 25° optic |
| <input type="checkbox"/> <b>RO-50-40-S</b> 40° optic | <input type="checkbox"/> <b>RO-50-60-W</b> 60° optic | <input type="checkbox"/> <b>RO-50-40-S</b> 40° optic |
| <input type="checkbox"/> <b>RO-50-60-S</b> 60° optic |  | <input type="checkbox"/> <b>RO-50-60-S</b> 60° optic |

### EMERGENCY LIGHTING - REMOTE MOUNT ONLY

During disruption of main power, emergency battery inverter provides temporary 120V or 277V to fixture.

- EMB-S-25-120/277-LEDX** 25 watt max capacity, 120 or 277 VAC 60Hz, Non-Dimmable
- EMB-S-100-120-LEDX** 100 watt max capacity, 120 VAC 60Hz, 0-10V Dimmable
- EMB-S-100-277-LEDX** 100 watt max capacity, 277 VAC 60Hz, 0-10V Dimmable
- EMB-S-250-120/277-LEDX** 250 watt max capacity, 120 or 277 VAC 60Hz, 0-10V Dimmable

**\*SHUNT REQUIRED FOR USE WITH ATHENA AND CASAMBI CONTROLS, CONSULT FACTORY FOR DETAILS.**

# MONOPOINT CM1 WALL MOUNT

## PERFORMANCE - 3000K

LUMEN PACKAGE	WATTAGE	10° OPTIC FIELD REDUCER		15° OPTIC SOFT FOCUS LENS		20° OPTIC SOFT FOCUS LENS		25° OPTIC SOFT FOCUS LENS		40° OPTIC SOFT FOCUS LENS		60° OPTIC SOFT FOCUS LENS	
		DELIVERED	LPW	DELIVERED	LPW	DELIVERED	LPW	DELIVERED	LPW	DELIVERED	LPW	DELIVERED	LPW
80S11A	11	454	41	991	90	1093	99	1095	100	1019	93	1145	104
80S17A	17	619	36	1435	84	1701	100	1655	97	1513	89	1640	96
90S11A	11	391	35	851	86	939	95	941	96	875	89	984	100
90S17A	17	532	31	1233	76	1461	90	1422	87	1300	80	1409	86
97S11A	11	337	30	747	68	824	75	826	75	768	70	864	79
97S17A	17	460	27	1083	64	1283	75	1249	73	1141	67	1237	73
90W11A (2600K-1800K)	11	-	-	-	-	667	60	654	59	605	54	635	58
90W11A (2900K-1800K)	11	-	-	-	-	661	60	658	59	600	54	640	58
90W18A (2700K-1800K)	18	-	-	-	-	1019	56	1017	56	927	57	997	62
90W18A (3000K-1800K)	18	-	-	-	-	1043	57	1017	56	943	58	991	61
90T17A (4000K-1800K)	17	-	-	798	47	917	54	896	53	811	48	910	54
90T17A (5000K-2700K)	17	-	-	791	47	909	53	888	52	803	47	902	53



JA8-2022 INDICATED BY SHADING

### UNIFIED GLARE RATING

10° OPTIC FIELD REDUCER	15° OPTIC SOFT FOCUS LENS	20° OPTIC SOFT FOCUS LENS	25° OPTIC SOFT FOCUS LENS	40° OPTIC SOFT FOCUS LENS	60° OPTIC SOFT FOCUS LENS
>19	<16	<10	<10	<10	<16

### MEDIA LIGHT LOSS MULTIPLIER

MEDIA	LIGHT LOSS FACTOR
No Lens	1.05
CGL	1.00
SFL	1.00
FGL	0.85
FSFL	0.82
FLSL	0.78
HCL	0.75
SFL W/ HCL	0.68
FGL W/ HCL	0.47

### OUTPUT MULTIPLIER

CCT	CCT SCALE
2400K	0.85
2700K	0.97
3000K	1.000
3500K	1.03
4000K	1.08

### TUNABLE WHITE MULTIPLIER

CCT	5000K-2700K	4000K-1800K
5000K	1.16	-
4000K	1.08	1.14
3500K	1.04	1.07
3000K	1.00	1.00
2700K	0.96	0.92
2400K	-	0.84
1800K	-	0.69

# MONOPOINT CM1 WALL MOUNT

## WARM DIM PERFORMANCE - SOFT FOCUS LENS - 25° OPTIC

INCANDESCENT DIMMING PROFILE

90W11AL 2600K - 1800K	Full on 100%	Dimmed to 80%	Dimmed to 70%	Dimmed to 50%	Dimmed to 20%	Dimmed to 10%	Dimmed to 2%
CCT (K)	2600	2550	2520	2450	2200	1925	1800
Light Output (lm)	654	523	457	327	130	65	13
Power (W)	11	8.8	7.7	5.5	2.2	1.1	.22
Efficacy (LPW)	59	59	59	59	59	59	59

90W18AL 2700K - 1800K	Full on 100%	Dimmed to 80%	Dimmed to 70%	Dimmed to 50%	Dimmed to 20%	Dimmed to 10%	Dimmed to 2%
CCT (K)	2600	2650	2620	2520	2180	1950	1800
Light Output (lm)	1017	813	711	508	203	101	203
Power (W)	18	14.4	12.6	9	3.6	1.8	.36
Efficacy (LPW)	56	56	56	56	56	56	56

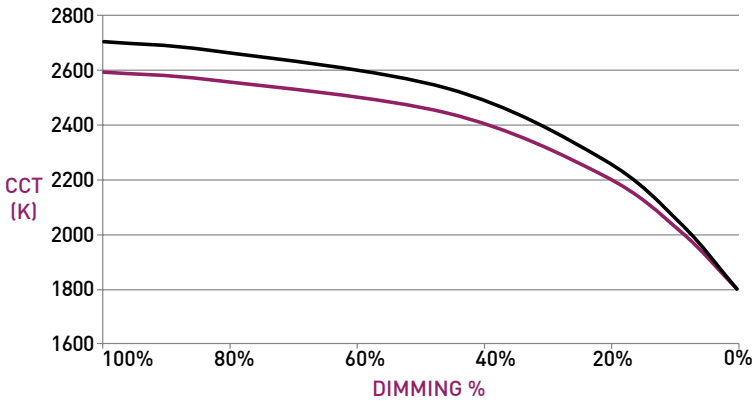
HALOGEN WARM DIM PROFILE

90W11AD 2900K - 1800K	Full on 100%	Dimmed to 80%	Dimmed to 70%	Dimmed to 50%	Dimmed to 20%	Dimmed to 10%	Dimmed to 2%
CCT (K)	2900	2850	2800	2720	2350	1975	1800
Light Output (lm)	658	526	460	329	131	65	13
Power (W)	11	8.8	7.7	5.5	2.2	1.1	.22
Efficacy (LPW)	59	59	59	59	59	59	59

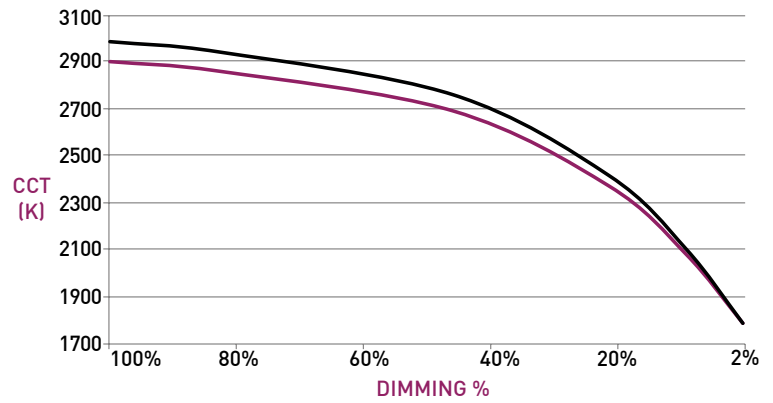
  

90W18AD 3000K - 1800K	Full on 100%	Dimmed to 80%	Dimmed to 70%	Dimmed to 50%	Dimmed to 20%	Dimmed to 10%	Dimmed to 2%
CCT (K)	3000	2950	2920	2775	2375	2000	1800
Light Output (lm)	1017	813	711	508	203	101	203
Power (W)	18	14.4	12.6	9	3.6	1.8	.36
Efficacy (LPW)	56	56	56	56	56	56	56

11W / 18W



11W / 18W

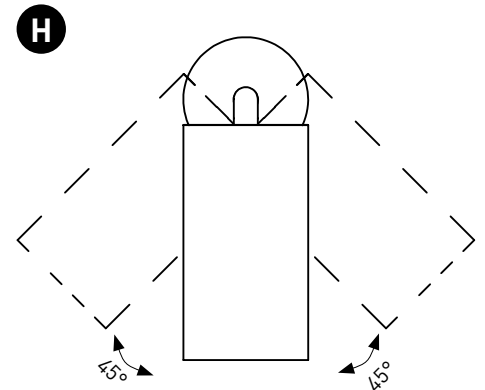
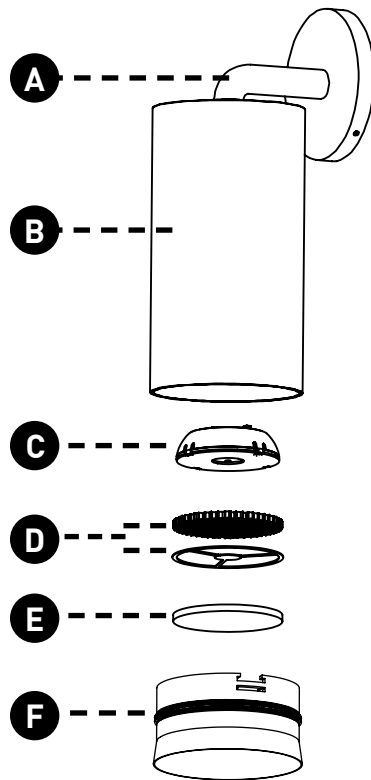
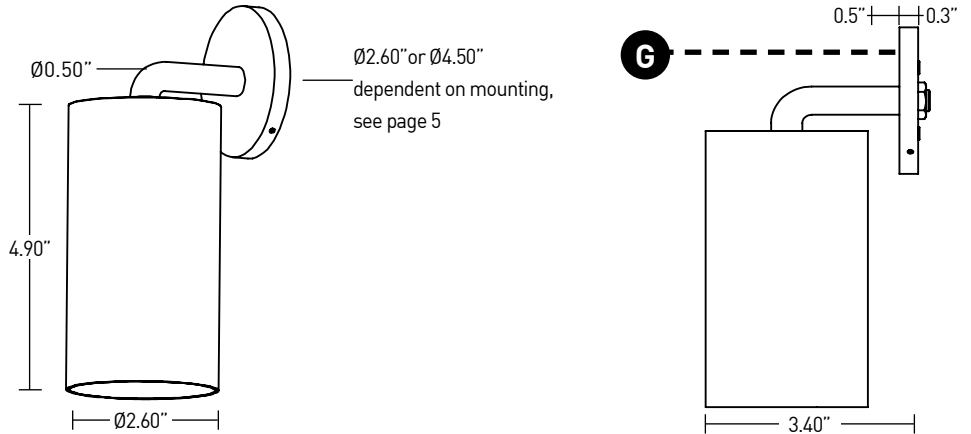


# MONOPOINT CM1 WALL MOUNT

## MONOPOINT

- A STEM**  
Standard length is 1.4". Stem is not field cuttable. Powdercoat finishes standard, consult factory for Alumina finishes.
- B BODY**  
Available in powdercoat finishes and Alumina finishes (interior applications only). Power supply integrated into fixture body.
- C OPTICS**  
Robust light engine with optimized optic pairing integrates Reflection, Refraction, and TIR offering 10°, 15°, 20°, 25°, 40° & 60° beams.
- D 10° FIELD REDUCER**  
Provided with 10° optic, includes honeycomb louver. Reduces field angle by 30%.
- E MEDIA**  
Soft Focus Lens standard. Wet location media sealed in place.
- F BAFFLE**  
Accepts 2 media devices. Baffle minimizes aperture glare and conceals view into fixture. Powdercoat finishes standard, consult factory for Alumina finishes.
- G CANOPY**  
Features 0.3" deep canopy and mounting screws.
- H FIXED FIXTURE**  
Available with pre-set tilt of 90° and can be aimed up to 45° off vertical. Wet rated, may be used in Dry / Damp locations.

## DIMENSIONS / DRAWINGS

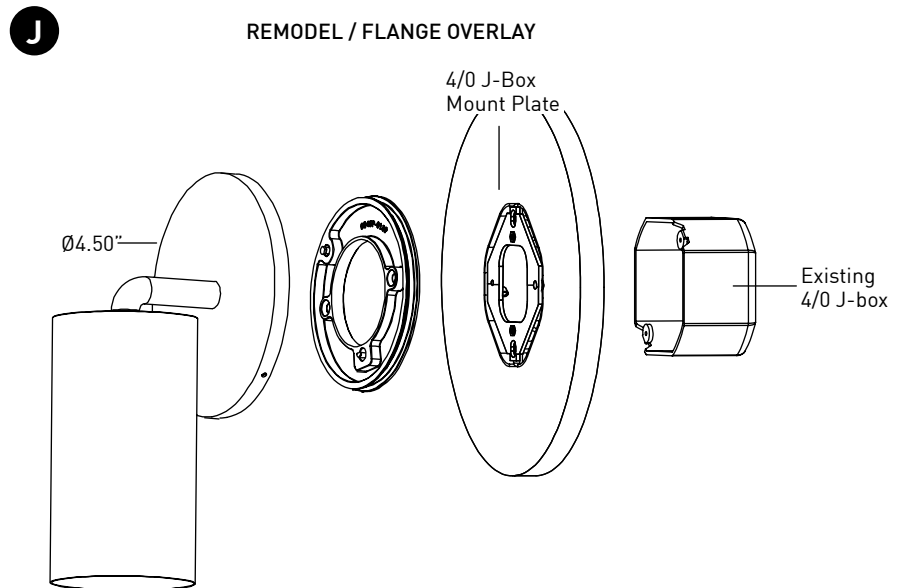
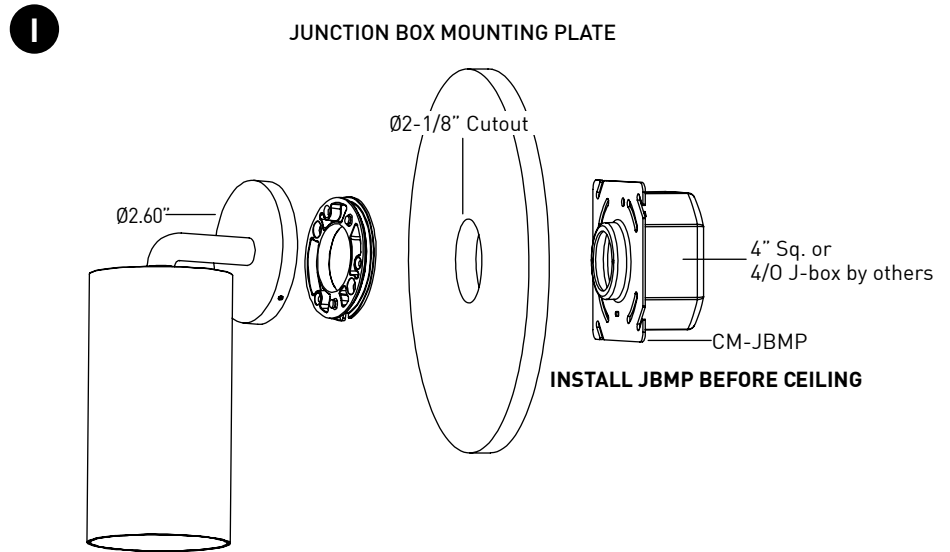


# MONOPOINT CM1 WALL MOUNT

## MOUNTING

- I JUNCTION BOX MOUNTING PLATE**  
Mounting plate (concealed) for standard 4" square or 4" 4/0 j-box. To be installed during rough-in prior to substrate. Features minimalist 2.6" diameter canopy.  
Part Number - CM1WM-JBMP.
- J REMODEL / FLANGE OVERLAY**  
Provided with oversized canopy and mounting plate for standard 4" 4/0 junction boxes. Ideal for existing applications and features oversized 4.5" canopy to cover standard 4" octagon box cutout.

## DIMENSIONS / DRAWINGS



# MONOPOINT CM1 WALL MOUNT

## REMOTE POWER SUPPLY

**K** Remote power supply provides additional driver options. See page 8 for maximum allowable wiring distance. Must be installed in an accessible location.

**L** ATHENA / CASAMBI CONTROL  
Controls integrated into remote driver assembly. All equipment is serviceable.

Athena Model Numbers: A-WN-D01-RF-BL & DFC-OEM-DBI

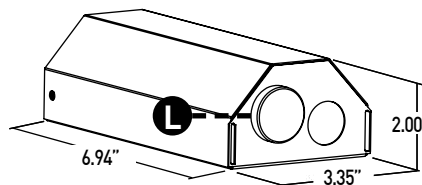
Casambi Model Number: BT-S1E1-5400

**M** ATHENA / CASAMBI EM SHUNT  
Included with drivers specified as ASR, ATR, CSR, or CTR. One required for each wireless EM fixture, requires class 2 control wiring between fixture and shunt. Features integrated test switch.

Model Number: PS-RMT-SHUNT

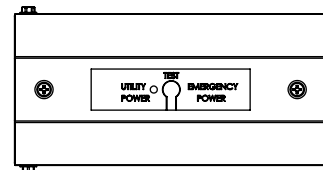
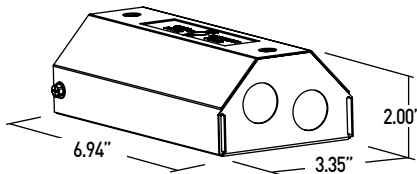
## DIMENSIONS / DRAWINGS

**K**



**M**

### ATHENA / CASAMBI EM SHUNT



# MONOPOINT CM1 WALL MOUNT

## TECHNICAL

### CONSTRUCTION

**Monopoint:** Machined aluminum body; painted finishes are granulated powder coat; Alumina finishes are anodized aluminum.

**Remote Power Supply:** 22 Gauge galvanized steel.

**Appliqué:** Machined Aluminum

### STATIC WHITE LED

2-step MacAdam ellipse LED module available in 80+, 90+ and 97+ CRI configurations in color temperatures of 2700K, 3000K, 3500K and 4000K. 3-step MacAdam ellipse LED module available in 90+ CRI configurations in color temperature of 2400K. Average rated lamp life of 50,000 hours.

### WARM DIM LED

3-step MacAdam ellipse warm dim LED module available in 90+ CRI configuration. 3000K or 2700K at full brightness, warming to 1800K at full dim. Average rated lamp life of 50,000 hours.

### TUNABLE WHITE LED

3-step MacAdam ellipse tunable white LED module available in 90+ CRI configuration. Features tuning ranges of 1800K to 4000K and 2700K to 5000K. Average rated lamp life of 50,000 hours.

### POWER SUPPLY PERFORMANCE AND DIMMING INFORMATION

Power Supply	PHASE			ECO								0-10V				DALI-2		ATHENA		CASAMBI	
	CE/RE	LH	LP	CA/RA	SG	SN	EG	EN	DG	DN	ED	DD	AS	AT	CS	CT					
Minimum °C	-20 °C	0 °C	0 °C	-20 °C	-20 °C	-20 °C	-20 °C	-20 °C	-20 °C	-20 °C	-20 °C	-20 °C	-20 °C	-20 °C	-20 °C	-20 °C					
Maximum °C	40 °C	40 °C	40 °C	40 °C	40 °C	40 °C	40 °C	40 °C	40 °C	40 °C	40 °C	40 °C	40 °C	40 °C	40 °C	40 °C					
Dimming %	2.0%	1.0%	0.1%	2.0%	1.0%	1.0%	0.1%	0.1%	0.1%	0.1%	0.1%	0.1%	0.1%	0.1%	0.1%	0.1%					

Note: For LH, LP, SG, SN, EG, EN, DG, and DN drivers consult chart on page 9 to confirm appropriate dimming curve for compatibility with selected control.

### MAXIMUM ALLOWABLE REMOTE DRIVER WIRING DISTANCES

DRIVER	WIRE AWG				
	12	14	16	18	20
RA, RE	-	164'	105'	66'	40'
SG, SN	285'	180'	113'	71'	45'
LH, LP	60'	40'	25'	15'	-
EG, EN, ED, DG, DN, DD, AS, AT, CS, CT	-	-	118'	72'	46'

### LISTING

cTUVus listed to UL1598 standard for IP65 Wet locations.

Title 24 JA8-2022 Listed. NEMA 410 Compliant.

### DECLARE

LBC Red List Approved.

### BUY AMERICA ACT

All CM1 Wall Mount Adjustable and Fixed fixtures are BAA compliant.

### LIMITED WARRANTY

Manufacturer's Limited Warranty guarantees product(s) listed to be free from defects in material and workmanship under normal use and service for 1-year. LED and power supplies are warranted to operate with 70% of original flux and remain within a range of 3 duv for a period of 5-years.

10-year Lutron Advantage limited warranty available on Lutron equipped systems. Warranty period begins from the date of shipment by Seller.

[Consult website for full warranty terms and conditions.](#)

### CHANGE LOG

1. 02/13/2024: ADDED TUNABLE WHITE OFFERING.

2. 03/18/2024: UPDATED 10 DEGREE NARROW BEAM TO UTILIZE FILED REDUCER.

3. 07/15/2024: REMOVED L2 DRIVER OFFERING.

4. 09/19/2024: UPDATED WITH NEW BAFFLE DESIGN.



# MONOPOINT CM1 WALL MOUNT

## DIMMING COMPATABILITY

### PHILIPS DRIVER COMPATIBILITY

Power supply <b>SG</b> Manufacturer	Family/Model #
Lutron Electronics	DVTV plus PP-DV
Lutron Electronics	DVSCTV plus PP-DV
Lutron Electronics	DVSTV
Lutron Electronics	DVSCSTV
Lutron Electronics	QSGRJ-XP plus GRX-TVI
Lutron Electronics	QSGRJ-XE plus GRX-TVI
Lutron Electronics	QSGR-XE plus GRX-TVI
Lutron Electronics	NFTV plus PP-DV
Lutron Electronics	NTSTV
Lutron Electronics	RMJ-5T
Lutron Electronics	RMJS-8T
Lutron Electronics	FCJS-010
Leviton	IllumaTch IP7 series
Philips	Sunrise - SR1200ZTUNV

### LUTRON DRIVER COMPATIBILITY

Power supply <b>LH / LP</b> Lutron Product Family	Part No.
PowPak Dimming Modules	RMJ-ECO32-DV-B
PowPak Dimming Modules	FCJ/FCJS-ECO
Energi Savr Nodes	QSN-1ECO-S
GRAFIK Eye QS control unit Homeworks QS control unit	QSN-2ECO-S
GRAFIK Eye QS control unit Homeworks QS control unit	QSGRJ-_E (wireless) QSGR-_E
Quantum Hub	QP2-__2C
Quantum Hub	QP2-__4C
Quantum Hub	QP2-__6C
Quantum Hub	QP2-__8C
Homeworks QS power module myRoom Plus power module	LQSE-2ECO-D



### eldoLED DRIVER COMPATIBILITY

Power supply <b>EG, DG</b> Manufacturer	Family/Model #
Busch-Jaeger	2112U-101
Jung	240-10
Leviton Lighting Controls	IP710-DLX
Lightolier Controls	ZP600FAM120
Merten	5729
Pass & Seymour	CD4FB-W
The Watt Stopper	DCLV1
Synergy	ISD BC
Crestron®	GLX-DIMFLV8
Crestron®	GLXP-DIMFLV8
Crestron®	GLPAC-DIMFLV4-*
Crestron®	GLPAC-DIMFLV8-*
Crestron®	GLPP-DIMFLVEX-PM
Crestron®	GLPP-1DIMFLV2EX-PM
Crestron®	GLPP-1DIMFLV3EX-PM
Crestron®	DIN-A08
Crestron®	DIN-4DIMFLV4
Crestron®	CLS-EXP-DIMFLV
Crestron®	CLCI-1DIMFLV2EX
Power supply <b>EN, DN</b> Manufacturer	Family/Model #
Lutron Electronics	Nova T® - NTFTV
Lutron Electronics	Diva® - DVTV
Lutron Electronics	Nova® - NFTV
Lutron Electronics	GraxiEye® GRX-TVI w GRX3503
Lutron Electronics	Energy Savr Node™ - QSN-4T16-S
Lutron Electronics	TVM2 Module
Sensor Switch	nI0 EZ
ABB	SD/S 2.16.1

## ANALOG DRIVERS AND DIMMERS

