



# FRAZION3 SLIM STANDARD REGRESS

## QUICK SHIP PROGRAM

The Lucifer Lighting Quick Ship Program brings our most in-demand fixtures to your project faster. We've selected our most sought-after fixtures, finishes, and configurations and streamlined production guaranteed to ship in 5 business days. Consult [Quick Ship](#) brochure for complete terms and conditions.

- No minimum quantity, up to 100 units per PO.
- PO Must be received by 3PM CST, ships in 5 business days starting after the day of receipt.
- Quick Ship items must be on a separate PO, one PO per project.
- Entire part number must include quick ship eligible items, add "QS" to end of model numbers.

## HUB AND BUD

### CONFIGURATION - REQUIRED FOR 'HUB' AND 'BUD' DRIVER SPECIFICATION

ASSEMBLY	QTY	WATTAGE	REMOTE DRIVER
<b>HUB</b> Separate Remote Power Supply and Distribution Hub	2X 2 Fixtures 3X 3 Fixtures 4X 4 Fixtures 5X 5 Fixtures 6X 6 Fixtures	06W 06Watts 11W 11Watts 15W 15Watts 21W 21Watts 22W 22Watts	PH1 Forward / Reverse Phase, 2%, 120V SG5 eldoLED, ECOdrive 1%, 0-10V, LOG, 120V-277V EG1 eldoLED, SOLOdrive 0.1% 0-10V, LOG, 120V-277V ED1 eldoLED, SOLOdrive 0.1% DALI-2, LOG, 120V-277V
<b>BUD</b> Combined Remote Power Distribution		30W 30Watts	AS1 Athena Control, eldoLED, SOLOdrive, 0.1%, 120V-277V* *(Includes Athena Node. Extended lead time, consult factory)

### PART NUMBER NOTES

- HUB and BUD assemblies are ordered as separate line item from fixtures.

### COMPATIBILITY BY DRIVER TYPE AND QUANTITY

DRIVER	2 FIXTURES						3 FIXTURES						4 FIXTURES					5 FIXTURES			6 FIXTURES			
	06W	11W	15W	21W	22W	30W	06W	11W	15W	21W	22W	30W	06W	11W	15W	21W	22W	06W	11W	15W	06W	11W	15W	
PH1	✓	✓	✓	✓	✓	✓	✓	✓	✓				✓	✓	✓			✓	✓		✓			
SG5	✓	✓	✓	✓	✓	✓	✓	✓	✓	✓	✓		✓	✓	✓	✓	✓	✓	✓	✓	✓	✓	✓	✓
EG1/ED1	✓	✓	✓	✓	✓	✓	✓	✓	✓	✓			✓	✓	✓			✓	✓	✓	✓	✓		
AS1	✓	✓	✓	✓	✓	✓	✓	✓	✓	✓			✓	✓	✓			✓	✓	✓	✓	✓		

# FRAXION3 SLIM STANDARD REGRESS

## ACCESSORIES

### ROUND / SQUARE TRANSITIONAL ALTERNATE MEDIA

IP20 Dry / Damp location only.

IP64 Wet location requires alternate baffle.

- HCL-F3RS** Honeycomb Louver\*
- \* (Not available for IP64 Wet Location, 21W, or Adjustable Fixtures)

- CGL-F3RS** Clear Glass Lens
- FGL-F3RS** Frosted Glass Lens
- SFL-F3RS** Soft Focus Lens
- FSFL-F3RS** Frosted Soft Focus Lens
- WDL-F3RS** Wide Distribution Lens\*

\* (Required and only available for 85° beam spread)

- FLSL-F3RS** Frosted Linear Spread Lens
- SFL-SP-F3RS** Shatterproof Soft Focus Lens

### SQUARE ALTERNATE MEDIA

IP20 Dry / Damp location only.

IP64 Wet location requires alternate baffle.

- HCL-F3SS** Honeycomb Louver\*
- \* (Not available for IP64 Wet Location, 21W, or Adjustable Fixtures)

- CGL-F3SS** Clear Glass Lens
- FGL-F3SS** Frosted Glass Lens
- SFL-F3SS** Soft Focus Lens
- FSFL-F3SS** Frosted Soft Focus Lens
- WDL-F3SS** Wide Distribution Lens\*

\* (Required and only available for 85° beam spread)

- FLSL-F3SS** Frosted Linear Spread Lens
- SFL-SP-F3SS** Shatterproof Soft Focus Lens

### ADJUSTABLE HCL ASSEMBLY

Dry / Damp location only.

- OLR-F3RS1-SFL-HCL** Adjustable Honeycomb Louver and Soft Focus Lens\*

\* (Not available for IP64 Wet Location, 21W and up, or Fixed Fixtures)

## REPLACEMENT BAFFLE ASSEMBLY (INCLUDES MEDIA)

ASSEMBLY	SHAPE	RATING	FINISH	MEDIA
<b>RBA</b>				
REPLACEMENT BAFFLE ASSEMBLY	<b>F3RS</b> Round Standard Regress <b>F3RW</b> Round Wallwash <b>F3SS</b> Square Standard Regress <b>F3SW</b> Square Wallwash <b>F3TS</b> Square Transitional Standard Regress	<b>1</b> IP20 Dry/Damp <b>2</b> IP64 Wet* *(Requires provided suction cup to service or aim & focus)	<b>WH</b> White <b>AB</b> Architectural Bronze <b>AG</b> Satin Silver <b>AU</b> Cashmere Gold <b>BB</b> Burnt Bronze <b>BK</b> Black <b>PR</b> Primer <b>CF</b> Custom Finish* *(Consult Factory)	LEAVE BLANK FOR SOFT FOCUS LENS (SFL) OR WALLWASH (WW) <b>HCL</b> Honeycomb Louver* *(Not available for IP64 Wet Location, or adjustable fixtures) <b>CGL</b> Clear Glass Lens <b>FGL</b> Frosted Glass Lens <b>FSFL</b> Frosted Soft Focus Lens <b>FLSL</b> Frosted Linear Spread Lens <b>WDL</b> Wide Distribution Lens* *(Required and only available for 85° optic) <b>SFL-SP</b> Shatterproof Soft Focus Lens <b>NL</b> No Lens* *(Not available for IP64 Wet Location)

## STANDARD REGRESS / WALLWASH REPLACEMENT OPTICS

Interchangeable optics accessible through fixture aperture.

### STATIC WHITE

- RO-50-15-S** 15° optic
- RO-50-20-S** 20° optic
- RO-50-25-S** 25° optic
- RO-50-40-S** 40° optic
- RO-50-60-S** 60° optic
- RO-45-WW-S** Wallwash optic

### WARM DIM

- RO-50-15-W** 15° optic
- RO-50-20-W** 20° optic
- RO-50-25-W** 25° optic
- RO-50-40-W** 40° optic
- RO-50-60-W** 60° optic
- RO-45-WW-W** Wallwash optic

### TUNABLE WHITE

- RO-50-15-T** 15° optic
- RO-50-20-T** 20° optic
- RO-50-25-T** 25° optic
- RO-50-40-T** 40° optic
- RO-50-60-T** 40° optic
- RO-45-WW-T** Wallwash optic

## T-GRID ACCESSORY KIT

Supplied with ceiling thickness "T" and recommended for installations in T-Grid up to 1.5" tall. Available for ceiling thicknesses from 0.50" - 2.125".

- DHA-TG-KIT**

## FURRING CHANNEL ACCESSORY KIT

Recommended for installations in furring channel. Available for ceiling thicknesses from 0.50" - 2.125".

- DHA-FC-KIT**

## HANGER BAR EXTENDER KIT

Extends hanger bars from 24.0" to 46.0" maximum.

- FRX-HBE-46** Extender, Hanger Bar

## REPLACEMENT APPLIQUÉ

- DLA-APP-F3RS** Round, Standard Regress
- DLA-APP-F3SS** Square, Standard Regress

## REPLACEMENT SUCTION TOOL

One included with every six fixtures designated Wet location.

- F4-TOOL-SUCTION** Allows for removal of baffle with Wet location

## EMERGENCY LIGHTING - REMOTE MOUNT ONLY

During disruption of main power, emergency battery inverter provides temporary 120V or 277V to fixture.

- EMB-S-25-120/277-LEDX** 25 watt max capacity, 120 or 277 VAC 60Hz, Non-Dimmable
- EMB-S-100-120-LEDX** 100 watt max capacity, 120 VAC 60Hz, 0-10V Dimmable
- EMB-S-100-277-LEDX** 100 watt max capacity, 277 VAC 60Hz, 0-10V Dimmable
- EMB-S-250-120/277-LEDX** 250 watt max capacity, 120 or 277 VAC 60Hz, 0-10V Dimmable

**NOTE: CONSULT FACTORY FOR USE WITH WIRELESS CONTROLS.**

# FRAXION3 SLIM STANDARD REGRESS

## PERFORMANCE - 3000K

LUMEN PACKAGE	WATT-AGE	10° OPTIC FIELD REDUCER KIT		15° OPTIC SOFT FOCUS LENS		20° OPTIC SOFT FOCUS LENS		25° OPTIC SOFT FOCUS LENS		40° OPTIC SOFT FOCUS LENS		60° OPTIC SOFT FOCUS LENS		85° OPTIC WIDE DISTRIBUTION		WW OPTIC WALLWASH LENS	
		DLVD	LPW	DLVD	LPW	DLVD	LPW	DLVD	LPW	DLVD	LPW	DLVD	LPW	DLVD	LPW	DLVD	LPW
80S06A	06	-	-	740	110	795	123	779	120	678	113	727	121	640	92	634	106
80S11A	11	-	-	1190	97	1279	108	1254	106	1090	99	1169	106	954	80	1020	93
80S15A / C	15	633	42	1608	96	1729	107	1694	105	1474	98	1580	105	1289	80	1378	92
80S21A	21	-	-	2290	97	2435	107	2386	105	2075	99	2226	106	1740	77	1861	89
80S30A	30	-	-	2624	87	2882	96	2824	94	2652	88	2844	95	2148	72	2481	83
90S06A	06	-	-	635	95	683	105	669	103	582	97	624	104	509	79	545	91
90S11A	11	-	-	1022	83	1099	93	1077	91	937	85	1005	91	820	69	876	80
90S15A / C	15	544	36	1381	82	1485	92	1455	90	1266	84	1358	91	1107	68	1184	79
90S21A	21	-	-	1938	82	2092	92	2050	90	1783	85	1912	91	1495	66	1598	76
90S30A	30	-	-	2220	74	2475	83	2426	81	2279	76	2444	81	1846	62	2131	71
97S06A	06	-	-	558	83	600	93	588	91	511	85	548	91	447	69	478	80
97S11A	11	-	-	898	73	965	81	946	80	822	75	882	75	720	61	769	70
97S15A / C	15	469	31	1213	72	1304	80	1278	79	1111	74	1192	79	972	60	1040	69
97S21A	21	-	-	1701	72	1837	81	1800	79	1565	75	1679	80	1313	58	1403	67
90L11A (27K-18K)	11	-	-	787	72	888	81	865	79	803	73	884	80	764	69	823	75
90L11A (30K-18K)	11	-	-	778	71	894	81	875	80	807	73	894	81	768	70	727	66
90L15A (27K-18K)	15	-	-	1049	70	1184	79	1153	77	1070	71	1179	79	1019	68	1097	73
90L15A (30K-18K)	15	-	-	1038	69	1193	80	1168	78	1077	72	1193	80	1025	68	971	65
90L22A (27K-18K)	22	-	-	1359	62	1534	70	1494	68	1389	63	1528	69	1320	60	1421	65
90L22A (30K-18K)	22	-	-	1386	63	1594	72	1560	71	1439	65	1594	72	1369	62	1297	59
90L30A (27K-18K)	30	-	-	1559	52	1759	59	1713	57	1590	53	1752	58	1514	50	1630	54
90L30A (30K-18K)	30	-	-	1606	54	1846	62	1807	60	1666	56	1846	62	1586	53	1502	50
90T17A (50K-27K)	17	-	-	1082	62	1231	69	1217	68	1241	63	1249	68	1005	51	1009	59
90T17A (40K-18K)	17	-	-	1086	62	1235	69	1221	68	1245	64	1254	68	1008	52	1012	60



JA8-2022 INDICATED BY SHADING

### UNIFIED GLARE RATING

OPTIC	10° OPTIC FIELD REDUCER	15° OPTIC SOFT FOCUS LENS	20° OPTIC SOFT FOCUS LENS	25° OPTIC SOFT FOCUS LENS	40° OPTIC SOFT FOCUS LENS	60° OPTIC SOFT FOCUS LENS	85° OPTIC WIDE DIST.	WW OPTIC WALLWASH LENS
MAX UGR	<10	>19	<13	<13	<16	>19	>19	>19

\*UGR VALUES REFLECT WHITE BAFFLE AND 30 WATTS, LOWER UGR VALUES AVAILABLE WITH DIFFERENT FINISHES AND LOWER WATTAGES.

### OUTPUT MULTIPLIER

CCT	CCT SCALE
2400K	0.85
2700K	0.97
3000K	1.00
3500K	1.03
4000K	1.08

### TUNABLE WHITE MULTIPLIER

CCT	5000K-2700K	4000K-1800K
5000K	1.16	-
4000K	1.08	1.14
3500K	1.04	1.07
3000K	1.00	1.00
2700K	0.96	0.92
2400K	-	0.84
1800K	-	0.69

### MEDIA LIGHT LOSS FACTOR

MEDIA	LIGHT LOSS FACTOR
NO LENS	1.06
CGL	1.00
SFL	1.00
SFL-SP	0.98
FGL	0.89
FLSL	0.82
FSFL	0.81
HCL	0.74

# FRACTION3 SLIM STANDARD REGRESS

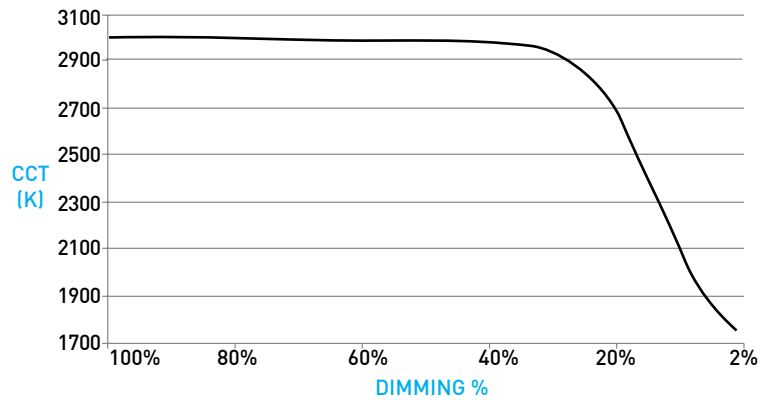
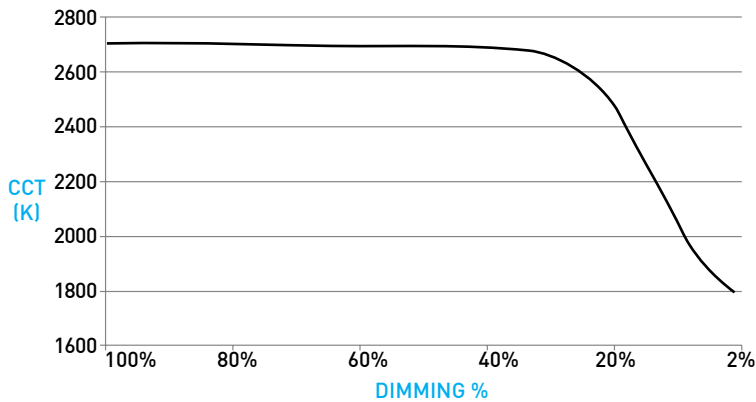
## WARM DIM PERFORMANCE - 20° OPTIC - SOFT FOCUS LENS

INCANDESCENT PROFILE

	Full on 100%	Dimmed to 80%	Dimmed to 70%	Dimmed to 50%	Dimmed to 20%	Dimmed to 10%	Dimmed to 2%
90L11AWL 2700K - 1800K							
CCT (K)	2700K	2700K	2700K	2600K	2200K	1900K	1800K
Light Output (Lm)	888	710	622	444	178	89	18
Power (W)	11	8.8	7.7	5.5	2.2	1.1	0.2
Efficacy (LPW)	81	81	81	81	81	81	81
90L15AWL 2700K - 1800K							
CCT (K)	2700K	2700K	2700K	2700K	2500K	1900K	1800K
Light Output (Lm)	1184	947	828	592	236	118	23
Power (W)	15	12	10.5	7.5	3	1.5	0.3
Efficacy (LPW)	79	79	79	79	79	79	79
90L22AWL 2700K - 1800K							
CCT (K)	2700K	2700K	2700K	2700K	2600K	2100K	1800K
Light Output (Lm)	1534	1227	1074	767	307	153	31
Power (W)	22	17.6	15.4	11	4.4	2.2	0.4
Efficacy (LPW)	70	70	70	70	70	70	70
90L30AWL 2700K - 1800K							
CCT (K)	2700K	2700K	2700K	2700K	2700K	2500K	1800K
Light Output (Lm)	1759	1407	1231	880	352	176	35
Power (W)	30	24	21	15	6	3	0.6
Efficacy (LPW)	59	59	59	59	59	59	59

HALOGEN PROFILE

	Full on 100%	Dimmed to 80%	Dimmed to 70%	Dimmed to 50%	Dimmed to 20%	Dimmed to 10%	Dimmed to 2%
90L11AWD 3000K - 1800K							
CCT (K)	3000K	3000K	3000K	3000K	2500K	1900K	1800K
Light Output (Lm)	894	715	626	447	179	89	18
Power (W)	11	8.8	7.7	5.5	2.2	1.1	0.2
Efficacy (LPW)	79	79	79	79	79	79	79
90L15AWD 3000K - 1800K							
CCT (K)	3000K	3000K	3000K	3000K	3000K	2000K	1800K
Light Output (Lm)	1193	954	835	596	238	119	23
Power (W)	15	12	10.5	7.5	3	1.5	0.3
Efficacy (LPW)	80	80	80	80	80	80	80
90L22AWD 3000K - 1800K							
CCT (K)	3000K	3000K	3000K	3000K	3000K	2500K	1800K
Light Output (Lm)	1594	1275	1116	797	319	159	32
Power (W)	22	17.6	15.4	11	4.4	2.2	0.4
Efficacy (LPW)	72	72	72	72	72	72	72
90L30AWD 3000K - 1800K							
CCT (K)	3000K	3000K	3000K	3000K	3000K	3000K	1800K
Light Output (Lm)	1846	1477	1292	923	369	185	37
Power (W)	30	24	21	15	6	3	0.6
Efficacy (LPW)	62	62	62	62	62	62	62



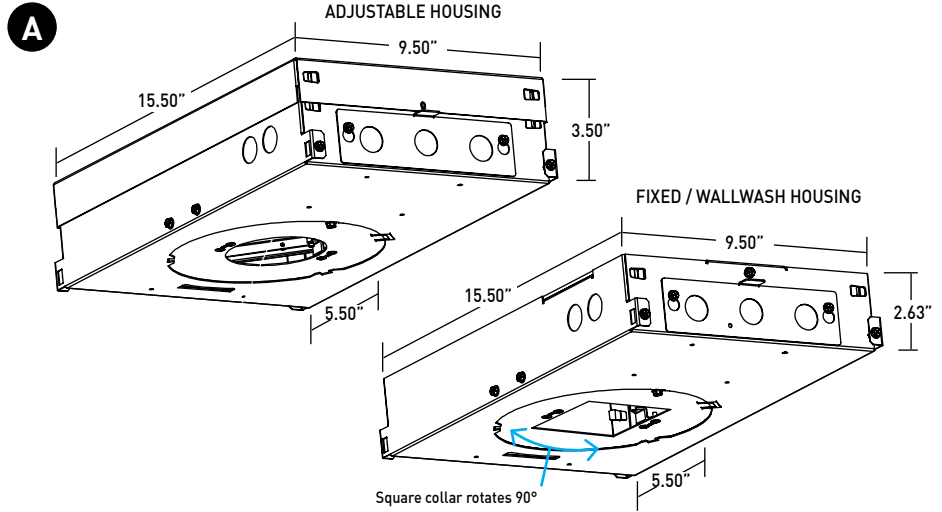
**NOTE: LIN-TO-LIN 0-10V PAIRING NOT COMPATIBLE WITH WARM DIM.**

# FRAXION3 SLIM STANDARD REGRESS

## FIXTURE

- A FIXTURE**  
Integral LED module design enables field service / replacement through housing aperture.
- B ADJUSTABILITY**  
Hot-aim 40° tilt and 365° rotation. Provided with handle for ease of rotating LED assembly through the aperture. #2 Philips or flathead screwdriver, provided by others, engages with tilt and rotation locking mechanisms.
- C TRIM EXTENSION**  
Provided for -2 ceiling thickness; accommodates 2.125" max ceiling thickness.
- D MICROFLANGE PROFILE**  
Provides industry standard 0.43" total contractor (goof) allowance with 0.27" flange. Thickness measures 1/16". IP64 Wet location features integral silicone gasket.
- E TRIMLESS GYPSUM PROFILE**  
Installs totally flush with the ceiling with no visible trim. Features integrated appliqué for plaster floating directly to the baffle. Not recommended for stucco applications.

## DIMENSIONS / DRAWINGS



- F ROUND / SQUARE BAFFLE**  
Die-cast removable baffle provides easy access to adjustment mechanisms for tilt and rotation. Features 64° glare cutoff, minimizing aperture glare and concealing view into housing. Includes gasket, mitigating light leak.

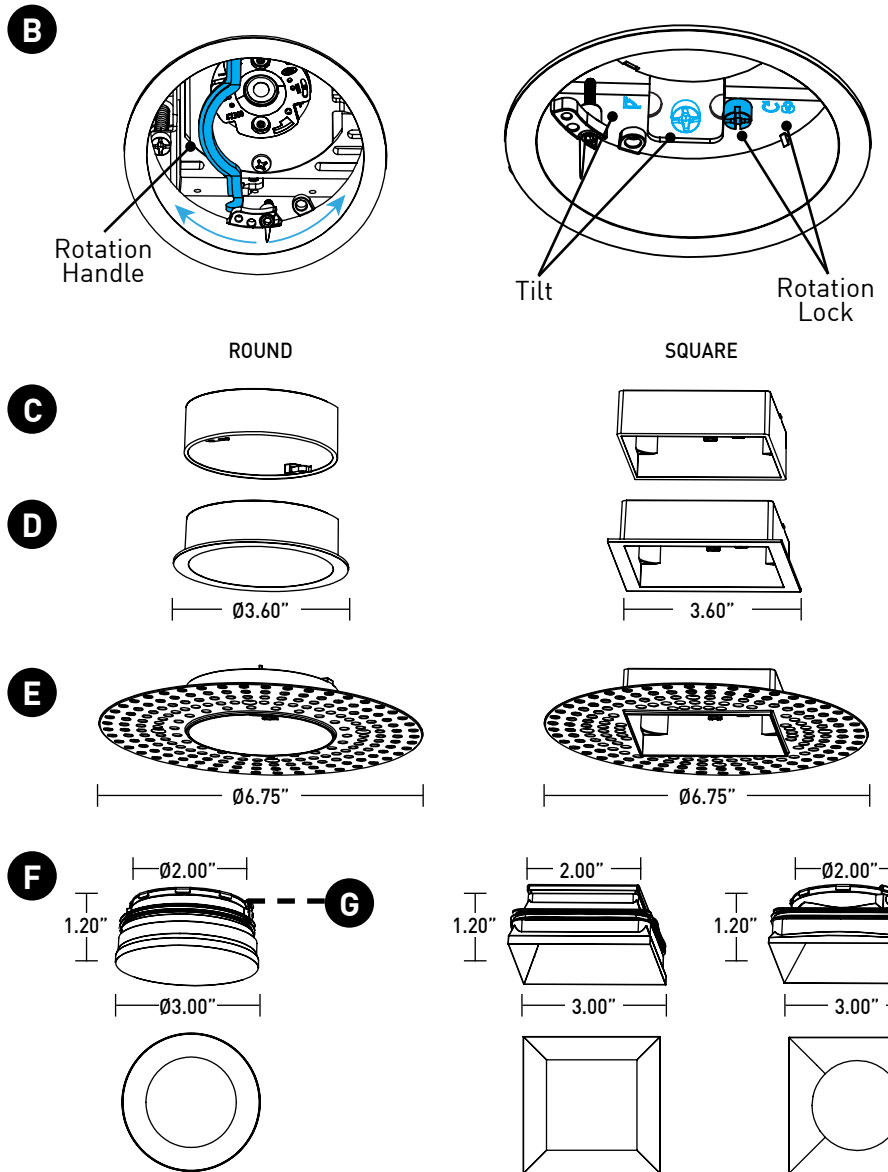
### SQUARE TRANSITIONAL BAFFLE

Transitions from square aperture at ceiling to round aperture at light source. Die-cast removable baffle provides easy access to adjustment mechanisms for tilt and rotation. Features 64° glare cutoff, minimizing aperture glare and concealing view into housing. Includes gasket, mitigating light leak.

### WALLWASH BAFFLE / MEDIA

Die-cast baffle with angled wide aperture for enhanced uniformity. Features asymmetrical spread lens, sealed in place, combined with auxiliary reflector for optimum performance. Includes gasket, mitigating light leak, and Suction Tool to accommodate baffle removal.

- G EFFECTS DEVICES / LENS RETAINER**  
Fixture is limited to 1 effects device installed on the baffle, see Section J for Adjustable HCL assembly. Wet location effects device is sealed in place on baffle, suction tool provided for removal of baffle. Lens retainer allows effects devices to be changed in Dry /Damp locations.

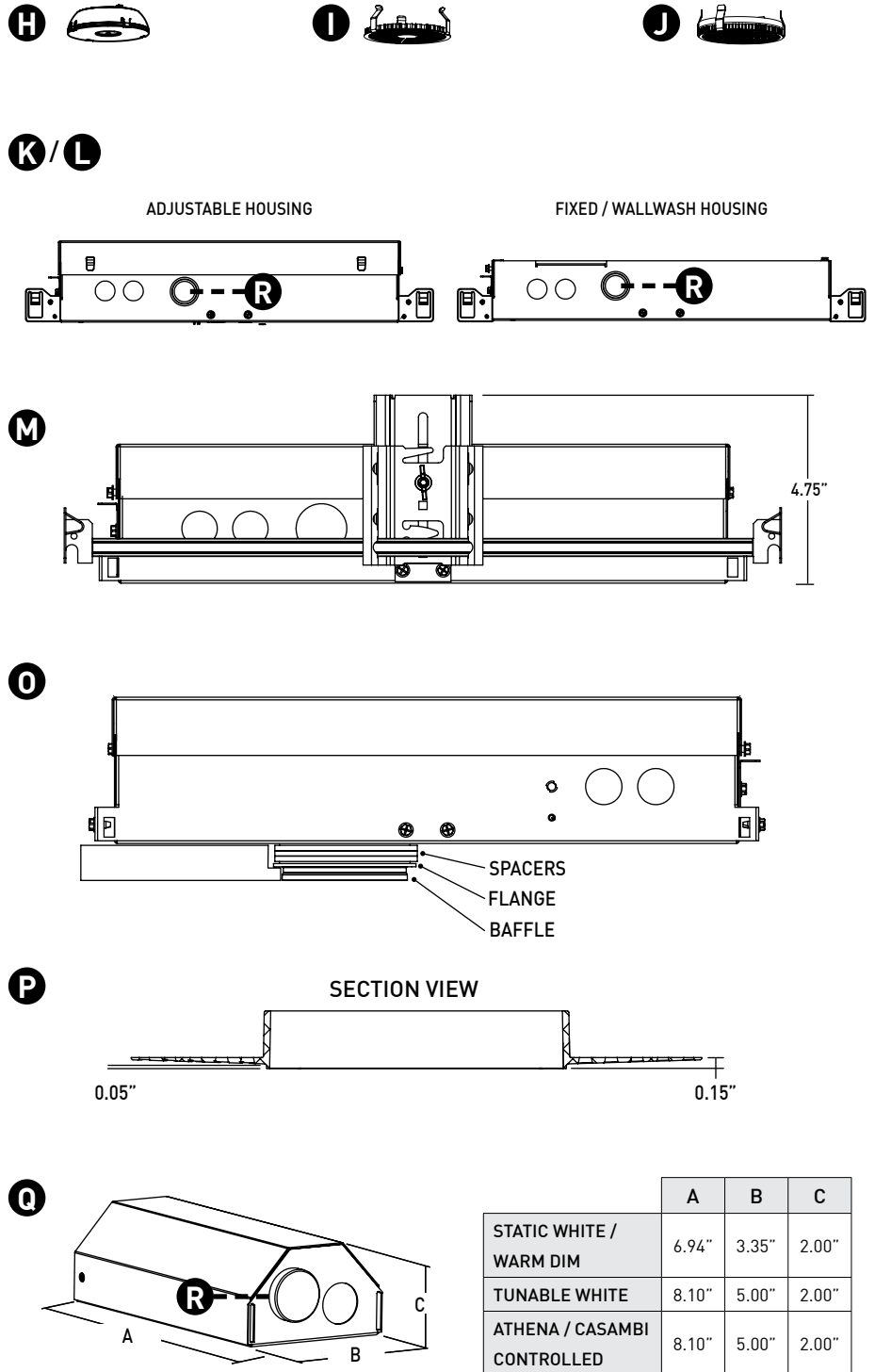


# FRAXION3 SLIM STANDARD REGRESS

## FIXTURE

- H OPTIC**  
Robust light engine with optimized optic pairing integrates Reflection, Refraction, and TIR offering wallwash, 10°, 15°, 20°, 25°, 40° & 60° beams.
  - I 10° FIELD REDUCER**  
Provided with 10° optic. Pairs Soft Focus Lens, Field Reducer, and Honeycomb Louver to deliver tight 10° beam while reducing field angle by 30%.
  - J ADJUSTABLE HCL ASSEMBLY**  
Honeycomb Louver and Soft Focus Lens attach directly to optic with clip-on lens retainer and adjusts with fixture. Only compatible with no lens baffle. Dry/Damp locations only. Specified as "HS" Effects Device
  - K IC HOUSING**
    - For IC ceilings.
    - No setback from polycell spray foam insulation having max R-Value of 60 on all sides and top of housing.
  - L NIC HOUSING**
    - Minimum 0.50" setback from combustible and non-combustible materials on all sides and top of housing.
    - Minimum 3.00" setback from insulation material having max R-Value 30 on all sides and top of housing.
    - Minimum 6.00" setback from polycell spray foam insulation having max R-Value 60.
  - M ADJUSTABLE HANGER BAR HEIGHT ACCESSORY**  
Provided with ceiling thickness "T" and recommended for installations in T-Grid up to 1.5" tall. Hanger bars are installed to adjustable bracket. Allows housing to be raised and lowered; ceiling thickness remains 0.5" to 2.125" max.
  - N TRIMLESS MILLWORK PROFILE / SPACERS**  
No visible flange, installs totally flush with millwork. Includes (1) 1/16" spacer and (5) 1/8" spacers.
  - O APPLIQUÉ DETAIL**  
Appliqué for plaster floating directly to baffle. Provided with 1/16" plaster stop.
  - P REMOTE POWER SUPPLY**  
Provided with install Types "IR", "NR", "AR", and "CR". Remote power supply provides additional driver options. See page 11 for maximum allowable secondary run lengths between remote driver and fixture. Must be installed in an accessible location.
- Note:** Not included with fixtures designated as LVS.
- Q REMOTE eldoLED TUNABLE WHITE DRIVERS**

TUNABLE WHITE REMOTE (120-277V)	
DD1	eldoLED, DUALdrive 0.1% 0-10V, LOG
DD2	eldoLED, DUALdrive 0.1% DALI-2, LOG
AD1	Athena Control eldoLED, DUALdrive, 0.1%*
* (Includes Athena Node. Extended lead time, consult factory)	
CD1	Casambi Control eldoLED, DUALdrive, 0.1%*
* (Includes Casambi Node. Extended lead time, consult factory)	



	A	B	C
STATIC WHITE / WARM DIM	6.94"	3.35"	2.00"
TUNABLE WHITE	8.10"	5.00"	2.00"
ATHENA / CASAMBI CONTROLLED	8.10"	5.00"	2.00"

# FRAXION3 SLIM STANDARD REGRESS

## DISTRIBUTED POWER ACCESSORY

## DIMENSIONS / DRAWINGS

### S HUB (SEPARATE COMPONENTS)

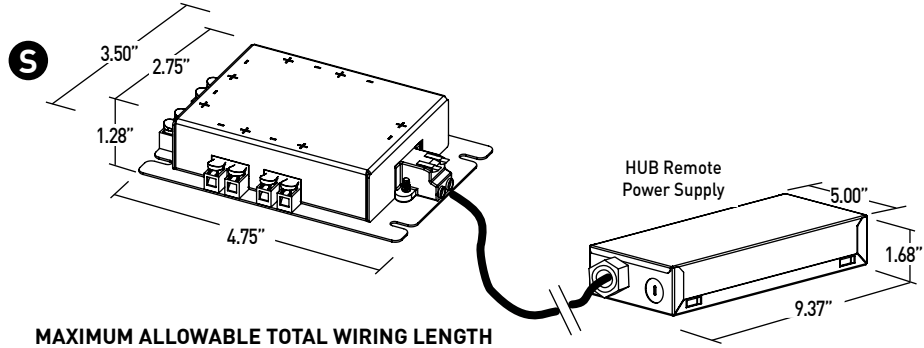
Included with "HUB" driver selection. Allows for multi-fixture power distribution from one remote power supply to a maximum of 6 fixtures. Connectable fixture quantity is specified in fixture part number on page 2. HUB base plate allows for structural mounting and wiring during rough-in. Wiring distances for HUB based on quantity featured in figure S.

Model Number e.g.: HUB2X15W-PH1

### T BUD (COMBINED ASSEMBLY)

Included with "BUD" driver selection. Allows for multi-fixture power distribution from combined remote power distribution assembly to a maximum of 6 fixtures. Connectable fixture quantity is specified in fixture part number on page 2. BUD base plate allows for structural mounting and wiring during rough-in. Wiring distances for BUD based on quantity featured in figure T.

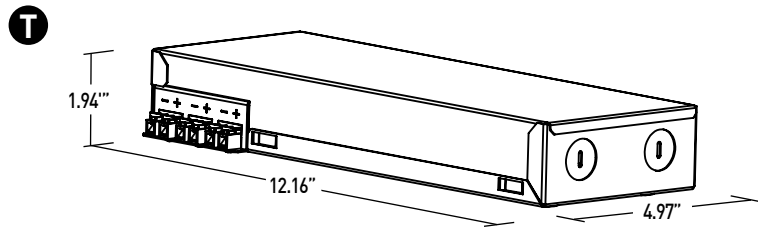
Model Number e.g.: BUD4X11W-SG5



#### MAXIMUM ALLOWABLE TOTAL WIRING LENGTH

DRIVER-TO-HUB AWG	HUB-TO-FIXTURE AWG	TOTAL LENGTH
18	18	150'
16	16	200'
14	14	250'
12	18	400'*
12	16	450'*
12	14	500'*

\*Total length requires 250' 12AWG Driver-to-Hub wiring

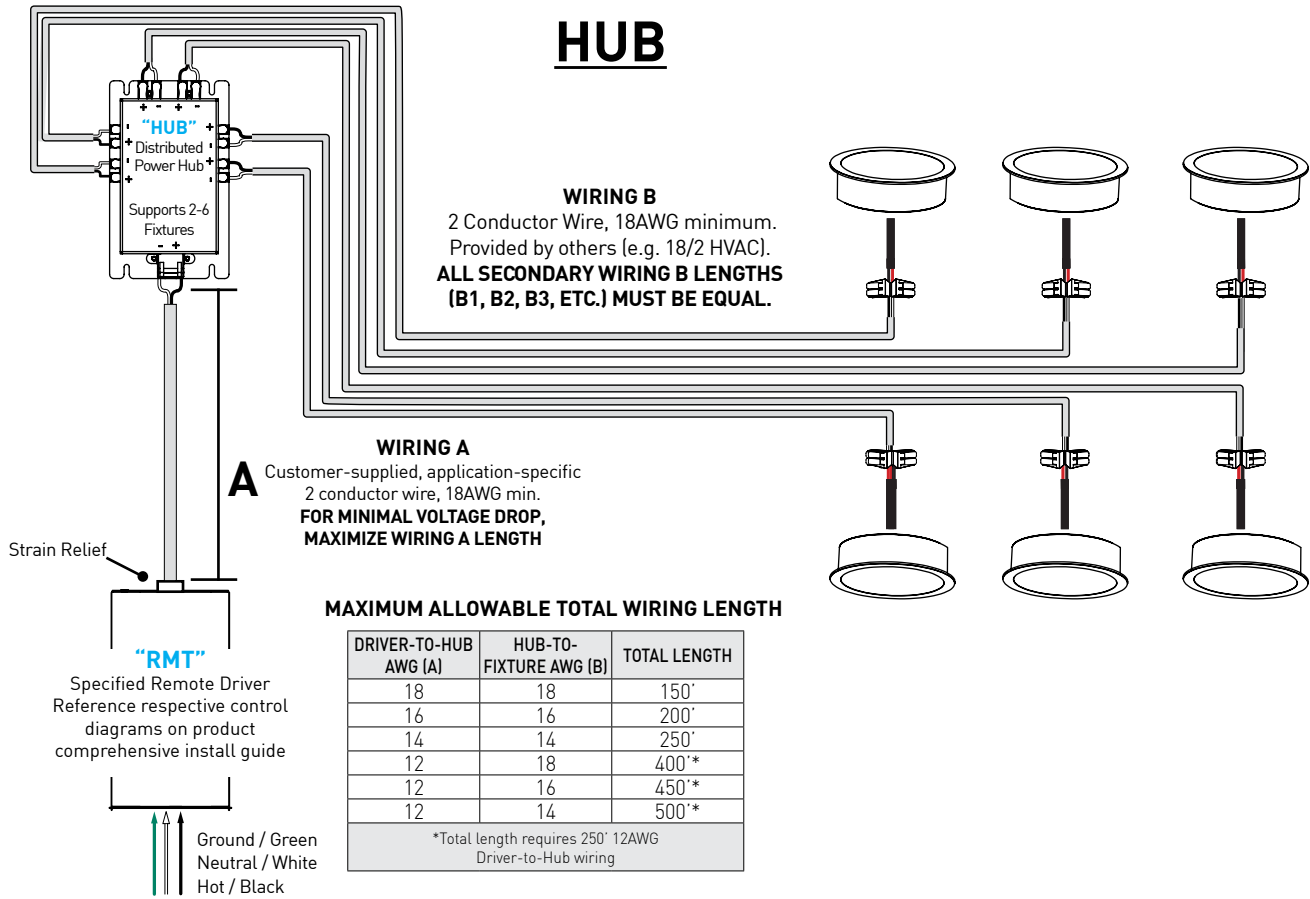


#### MAXIMUM ALLOWABLE TOTAL WIRING LENGTH

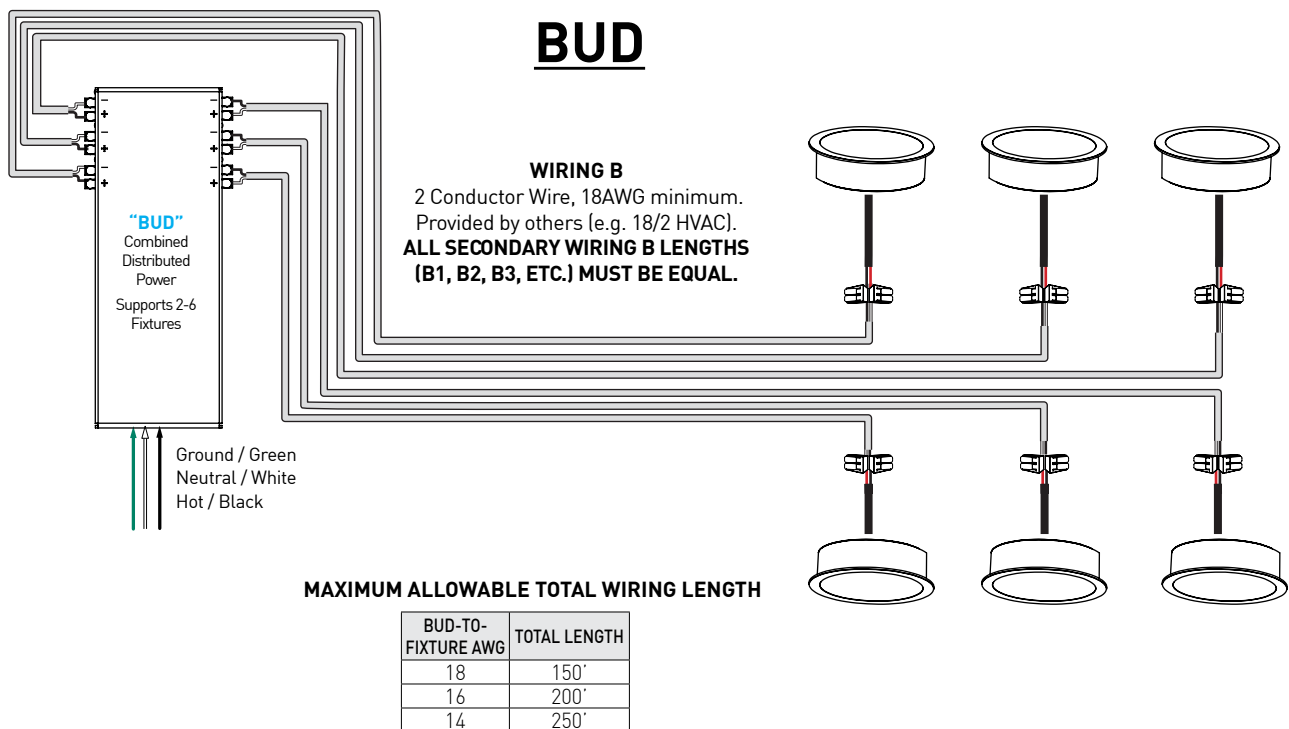
BUD-TO-FIXTURE AWG	TOTAL LENGTH
18	150'
16	200'
14	250'

# FRAXION3 SLIM STANDARD REGRESS

## HUB WIRING DETAILS



## HUB WIRING DETAILS



# FRAXION3 SLIM STANDARD REGRESS

## LOW VOLTAGE SYSTEM (LVS) SPECIFICATION NOTES

- Customers are responsible for ensuring power supply drive current is set to correct values shown below in the drive current specifics section.
- Customers must ensure voltage range of the proposed power supply encompasses the fixtures complete Vf range, both maximum and minimum, and can be set to the required mA drive current. If assistance is required contact your manufacturers representative or the factory.
- Lucifer Lighting is not responsible for confirming dimming compatability between power supplies and control systems / dimmers.
- Lucifer Lighting will not ship fixtures with a power supply supplied by others inside the fixture.
- Consult power supply manufacturer for maximum remote wiring distances.
- Housing and Fixture feature 18 AWG wiring.
- Wiring connections are made in the splicing compartment using customer supplied connectors, ex. wire nuts, push-in connectors, or terminal blocks.
- LVS Housings and Fixtures supplied by Lucifer Lighing are UL 2108 Listed.

## DRIVE CURRENT SPECIFICS

	80S / 90S / 97S						90L				90T
	06A	11A	15A	15C	21A	30A	11A	15A	22A	30A	17A
Minimum Vf	31	31	31	31	31	31	31	31	31	31	31
Maximum Vf	36	36	36	37	36	36	37	37	37	37	37
Current mA	150	250	350	350	500	700	250	350	500	700	400
Wattage W	5.0	8.4	11.8	11.8	16.9	23.6	8.4	11.7	16.8	23.5	13.2

# FRAZION3 SLIM STANDARD REGRESS

## TECHNICAL

### CONSTRUCTION

**Downlight:** Painted finishes are granulated powder coat.

**Housing:** Aluminum and 22 Gauge galvanized steel. Die-cast aluminum heat-sink.

**Remote Power Supply:** 22 Gauge galvanized steel.

**Appliqué:** Zinc alloy.

### STATIC WHITE LED

2-step MacAdam ellipse LED module available in 80+, 90+ and 97+ CRI configurations in color temperatures of 2700K, 3000K, 3500K and 4000K. 3-step MacAdam ellipse LED module available in 90+ CRI configuration in color temperature of 2400K. Average rated lamp life of 50,000 hours. LED and driver assemblies are field-replaceable.

### WARM DIM LED

3-step MacAdam ellipse warm dim LED module available in 90+ CRI configuration. 3000K or 2700K at full brightness, warming to 1800K at full dim. Average rated lamp life of 50,000 hours. LED and driver assemblies are field-replaceable.

### TUNABLE WHITE LED

3-step MacAdam ellipse tunable white LED module available in 90+ CRI configuration. Features tuning ranges of 1800K to 4000K and 2700K to 5000K. Average rated lamp life of 50,000 hours. LED and driver assemblies are field-replaceable.

### POWER SUPPLY PERFORMANCE AND DIMMING INFORMATION

	PHASE					0-10V					ECO		DALI-2			DMX		ATHENA			CASAMBI		
Power Supply	PH1	SG3	EG1	DG1	MG1	LP1	ED1	DD2	MD2	LX1	MX2	AS1	AD1	AM1	CS1	CD1	CM1						
Minimum °C	-20 °C	-20 °C	-20 °C	-20 °C	-40 °C	0 °C	-20 °C	-20 °C	-40 °C	-20 °C	-40 °C	0 °C	0 °C	-40 °C	-20 °C	-20 °C	-40 °C						
Maximum °C	40 °C	40 °C	40 °C	40 °C	40 °C	40 °C	40 °C	40 °C	40 °C	40 °C	40 °C	40 °C	40 °C	40 °C	40 °C	40 °C	40 °C						
Dimming %	2.0%	1.0%	0.1%	0.1%	0.1%	0.1%	0.1%	0.1%	0.1%	0.1%	0.1%	0.1%	0.1%	0.1%	0.1%	0.1%	0.1%						

Note: For PH1, LP1, EG1 and SG3 drivers consult chart on page 12 to confirm appropriate dimming curve for compatibility with selected control.

### MAXIMUM ALLOWABLE REMOTE DRIVER WIRING DISTANCES

DRIVER	WIRE AWG				
	12	14	16	18	20
PH1	285'	180'	113'	71'	45'
LP1	60'	40'	25'	15'	-
SG3, EG1, ED1, LX1, DG1, DD2, AS1, AD1, CS1, CD1	-	-	118'	72'	46'

### WALLWASH SPACING

Recommended fixture spacing is 36" (914mm) on center with 36" (914mm) setback from wall plane.

### LISTING

Fixtures listed to UL 1598 for Dry / Damp and Wet Locations, and are NEMA 410 compliant.

LVS designated fixtures are listed to UL 2108.

Install Types AT & AR are Title 24 JA8-2022 compliant.

Install Types CP & CR are CCEA certified.

**Note:** All listings performed by an NRTL.

### BUY AMERICAN ACT / BUILD AMERICA BUT AMERICA

Buy American Act (BAA) and Build America Buy America (BABA) compliant.

### DECLARE

LBC Red List Approved.

### WEIGHT

Fixture - 7.2 lbs max

Remote Driver - 1.4 lbs

## HOUSING NOTES

- Do not install housings in environments where ambient temperatures exceed 40°C (104°F), or 35°C (95°F) when using the LP1 driver.
- Power supply compartment and all splice connections may be serviced from room side.
- Consult factory for spacing requirements for any installations exceeding R-Value 60.
- Hanger bars fitted to short side of housing or long side when TG accessory is specified; extend from 14.0" to 24.0", but may be field cut to accommodate narrow stud spacing. Can be extended up to 46" maximum with FRX-HBE-46 kit.
- Hanger bars and brackets add 4.00" max to the overall dimension, but are exclusive of the setback requirements.
- Housings for round trims feature a round aperture housing collar. Housings for square trims feature a square housing collar that rotates up to 90 degrees for fixture alignment. Housing collars accommodate ceiling thicknesses between 0.50" and 2.125".

## LIMITED WARRANTY

Manufacturer's Limited Warranty guarantees product(s) listed to be free from defects in material and workmanship under normal use and service for 1-year. LED and power supplies are warranted to operate with 70% of original flux and remain within a range of 3 duv for a period of 5-years. 10-year Lutron Advantage limited warranty available on Lutron equipped systems. Warranty period begins from the date of shipment by Seller. [Consult website for full warranty terms and conditions.](#)

## CHANGE LOG

- 05/07/2025: UPDATED WARM DIM OFFERING.
- 08/15/2025: REMOVED EM SHUNT OFFERINGS.
- 11/14/2025: ADDED LVS OFFERING.
- 01/29/2026: ADDED ROTATION HANDLE AND SHATTERPROOF SFL.
- 03/23/2026: ADDED HUB & BUD POWER SUPPLY
- 04/20/2026: ADDED DMX DRIVER OFFERINGS AND REMOVED 0-10V LINEAR DRIVER OFFERINGS.

# FRACTION3 SLIM STANDARD REGRESS

## DIMMING COMPATIBILITY

### PHILIPS DRIVER COMPATIBILITY

Power supply PH1 Manufacturer	Family/Model #
Lutron Electronics	DV-600P
Lutron Electronics	DVELV-303P
Lutron Electronics	NTELV-600
Lutron Electronics	MAELV-600
Lutron Electronics	SELV-300P
Lutron Electronics	DVLV-600P
Lutron Electronics	NFTU-5A
Lutron Electronics	CTCL-153P
Lutron Electronics	GL-600H
Lutron Electronics	S-600P
Lutron Electronics	PHPM

### LUTRON DRIVER COMPATIBILITY

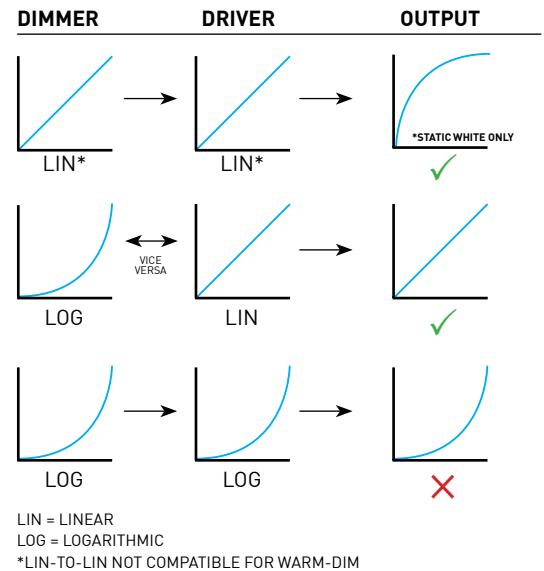
Power supply LP1 Lutron Product Family	Part No.
PowPak Dimming Modules	RMJ-EC032-DV-B
PowPak Dimming Modules	FCJ/FCJS-ECO
Energi Savr Nodes	QSN-1ECO-S
GRAFIK Eye QS control unit Homeworks QS control unit	QSN-2ECO-S
GRAFIK Eye QS control unit Homeworks QS control unit	QSGRJ- _E (wireless) QSGR- _E
Quantum Hub	QP2-__ _2C
Quantum Hub	QP2-__ _4C
Quantum Hub	QP2-__ _6C
Quantum Hub	QP2-__ _8C
Homeworks QS power module myRoom Plus power module	LQSE-2ECO-D



### eldoLED DRIVER COMPATIBILITY

Power supply EG1 / SG3 Manufacturer	Family/Model #
Busch-Jaeger	2112U-101
Jung	240-10
Leviton Lighting Controls	IP710-DLX
Lightolier Controls	ZP600FAM120
Merten	5729
Pass & Seymour	CD4FB-W
The Watt Stopper	DCLV1
Synergy	ISD BC
Crestron®	GLX-DIMFLV8
Crestron®	GLXP-DIMFLV8
Crestron®	GLPAC-DIMFLV4-*
Crestron®	GLPAC-DIMFLV8-*
Crestron®	GLPP-DIMFLVEX-PM
Crestron®	GLPP-1DIMFLV2EX-PM
Crestron®	GLPP-1DIMFLV3EX-PM
Crestron®	DIN-A08
Crestron®	DIN-4DIMFLV4
Crestron®	CLS-EXP-DIMFLV
Crestron®	CLCI-1DIMFLV2EX

### ANALOG DRIVERS AND DIMMERS



## DMX DIMMING INFORMATION

- Fixtures do not ship pre-addressed; fixture addressing is completed by the installer or a commissioning contractor via RDM.
- All fixtures are RDM compatible.
- DMX Channel Count:  
Static White / Warm Dim: 1  
Tunable White: 2; Channel 1 Warm and Channel 2 Cool
- DMX run termination provided by others.
- DMX Connection Type: Pigtail
- DMX Color Scheme:  
DMX+: Yellow  
DMX-: Pink  
DMX Shield: Orange
- Installation may require shielded cable if EMI is present.
- Fixture Default Mode: FULL ON
- Fixture Fail Mode: ON 10% DIMMED