

MONOPOINT CM2 HANG STRAIGHT

An innovative solution for sloped ceilings, this monopoint "hang straight" can suspend with a rigid stem up to 4' in length, for ceiling pitches up to 45° while still allowing for a full 90° tilt.

PROJECT NAME:	TYPE:
---------------	-------



ORDERING INFORMATION - MONOPOINT



JA8-2022 COMPLIANCE INDICATED BY SHADING

CYLINDER	LENGTH	FIXTURE	BODY FINISH	BAFFLE FINISH	STEM FINISH	CRI / WATTAGE PACKAGE	CCT	OPTIC (UGR)	DRIVER	MEDIA	MOUNTING
CM2		HS1									
CM2 3.25"	LENGTHS SL 3" Standard 24 24" 48 48" 24" AND 48" STEMS ARE FIELD CUTTABLE. 3" STANDARD LENGTH STEM IS MINIMUM LENGTH.	ADJUSTABLE DRY / DAMP HS1 Adjustable 90° Fixture Tilt, Max ceiling pitch 12/12 (45°)	POWDERCOAT WH White BK Black AB Architectural Bronze AG Satin Silver AU Cashmere Gold BB Burnt Bronze CF Custom Finish* *(Consult Factory)	POWDERCOAT WH White BK Black AB Architectural Bronze AG Satin Silver AU Cashmere Gold BB Burnt Bronze CF Custom Finish* *(Consult Factory)	POWDERCOAT WH White BK Black AB Architectural Bronze AG Satin Silver AU Cashmere Gold BB Burnt Bronze CF Custom Finish* *(Consult Factory)	STATIC WHITE 80S11A 80+ CRI, 11 Watts Im Delivered - 1216 27 2700K 80S17A 80+ CRI, 17 Watts Im Delivered - 1843 30 3000K 35 3500K 90S11A 90+ CRI, 11 Watts Im Delivered - 1045 40 4000K 90S17A 90+ CRI, 17 Watts Im Delivered - 1583 97S11A 97+ CRI, 11 Watts Im Delivered - 918 97S17A 97+ CRI, 17 Watts Im Delivered - 1390 REMOTE STATIC WHITE 80S28B 80+ CRI, 28 Watts Im Delivered - 2756 35 3500K* *(Not available for 97+ CRI) 90S28B 90+ CRI, 28 Watts Im Delivered - 2368 40 4000K 97S28B 97+ CRI, 28 Watts Im Delivered - 2079 WARM DIM 90L17A 90+ CRI, 17 Watts Incandescent Profile Im Delivered: 1244 Halogen Profile Im Delivered - 1309 SEE PAGE 3 FOR WARM DIM PROFILE COMPARISON.	24 2400K* *(90+ CRI only) 27 2700K 30 3000K 35 3500K 40 4000K 27 2700K 30 3000K 35 3500K* *(Not available for 97+ CRI) 40 4000K WL 2700K - 1800K WD 3000K - 1800K TH 5000K - 2700K TR 4000K - 1800K	10 10°* (>19) *(17W package only) 15 15° (<13) 20 20° (<10) 25 25° (<10) 40 40° (<10) 60 60° (<16) 15 15° (<13) 20 20° (<10) 25 25° (<10) 40 40° (<10) 60 60° (<16) 15 15° (<13) 20 20° (<10) 25 25° (<10) 40 40° (<10) 60 60° (<16)	INTEGRAL CA3 0-10V, LIN 120V-277V CE3 Forward / Reverse Phase, 120V REMOTE (120V) RE3 Forward / Reverse Phase, 120V REMOTE (120V-277V) LH1 Lutron, Hi-Lume Ecosystem 1% Fade to Black, LP1 Lutron, Hi-Lume Premier Ecosystem 0.1% Fade to Black EG1 eldoLED, SOLOdrive 0-10V, 0.1%, LOG ED1 eldoLED, SOLOdrive DALI-2, 0.1%, LOG LX1 eldoLED, SOLOdrive DMX, 0.1%, LOG AS1 Athena Control eldoLED, DUALdrive 0.1%* *(Includes Athena Node. Increased lead time) HUB Separate Remote Power Supply and Distribution Hub, Powers up to 6 Fixtures* *(Requires further specification on page 2) BUD Combined Remote Power Distribution, Powers up to 6 Fixtures* *(Requires further specification on page 2) TUNABLE WHITE POWER SUPPLIES (120-277V) DD2 eldoLED, DUALdrive DALI-2 DT8, 0.1% LOG DG1 eldoLED, DUALdrive 0-10V, 0.1%, LOG MX2 DMX, 0.1%, LOG AD1 Athena Control eldoLED, DUALdrive 0.1%* *(Includes Athena Node. Increased lead time) LOW VOLTAGE SYSTEM LVS Low Voltage System* *(See page 9 for specification information)	STANDARD MEDIA 4 Soft Focus Lens* *(Required for 10° optic) ALTERNATE MEDIA 2 Honeycomb Louver* *(Not available for Wet Location) 3 Clear Glass Lens 5 Frosted Glass Lens 6 Frosted Soft Focus Lens 7 Frosted Linear Spread Lens S Soft Focus Lens w/ Honeycomb Louver F Frosted Glass Lens w/ Honeycomb Louver N No Lens* *(Not available for Wet Location)	ROUGH-IN J JBMP 4" Sq. or 4/0 Junction Box Mounting Plate. Features 3.25" diameter canopy* *(Mounting plate must be installed on junction box prior to ceiling installation) FINISH OUT G Zero Sightline Gypsum (1/16" Applique) Features 2.6" diameter canopy* *(Mounts to 4/0 junction box) W Zero Sightline Millwork Features 2.6" diameter canopy* *(Mounts to 4/0 junction box. Requires accessory part number CMHS-RTG ordered separately.) R Remodel 4.5" diameter Flange Overlay Canopy* *(Mounts to existing 4/0 junction box)

PART NUMBER NOTES

- CM2 ships as e.g., CM224HS1WHBKWH90S11*3040CA*4
- Remote driver ships as e.g., PS-RMT-90S-28B-1RE*
- Mounting ships separate from fixture, part numbers listed on page 5.



ALL LM DELIVERED AND T24 COMPLIANCE REFLECT 3000K PAIRED WITH 20° OPTIC AND SOFT FOCUS LENS

MONOPOINT CM2 HANG STRAIGHT

HUB AND BUD

CONFIGURATION - REQUIRED FOR 'HUB' AND 'BUD' DRIVER SPECIFICATION

ASSEMBLY	QTY	WATTAGE	REMOTE DRIVER
HUB Separate Remote Power Supply and Distribution Hub	2X 2 Fixtures 3X 3 Fixtures 4X 4 Fixtures 5X 5 Fixtures 6X 6 Fixtures	11W 11 Watts 17W 17 Watts 28W 28 Watts	PH1 Forward/Reverse Phase, 2%, 120V SG5 eldoLED, ECOdrive 1%, 0-10V, LOG, 120V-277V EG1 eldoLED, SOLOdrive 0.1% 0-10V, LOG, 120V-277V ED1 eldoLED, SOLOdrive 0.1% DALI-2, LOG, 120V-277V
BUD Combined Remote Power Distribution			AS1 Athena Control, eldoLED, SOLOdrive, 0.1%, 120V-277V* *(Includes Athena Node. Extended lead time, consult factory)

COMPATIBILITY BY DRIVER TYPE AND QUANTITY

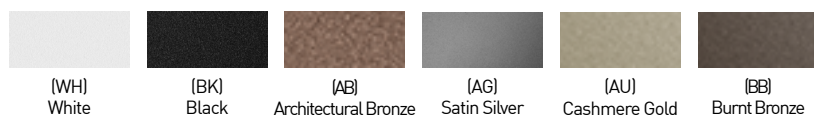
DRIVER	2 FIXTURES			3 FIXTURES			4 FIXTURES			5 FIXTURES			6 FIXTURES		
	11W	17W	28W	11W	17W	28W	11W	17W	28W	11W	17W	28W	11W	17W	28W
PH1	✓	✓	✓	✓	✓		✓			✓					
SG5	✓	✓	✓	✓	✓	✓	✓	✓		✓	✓		✓		
EG1/ED1	✓	✓	✓	✓	✓		✓	✓		✓			✓		
AS1	✓	✓	✓	✓	✓		✓	✓		✓			✓		

PART NUMBER NOTES

- HUB and BUD assemblies are ordered as separate line item from fixtures.

FINISHES

POWDERCOAT FINISHES



ALUMINA FINISHES BY LUCIFER LIGHTING™



MONOPOINT CM2 HANG STRAIGHT

ACCESSORIES

REPLACEMENT MEDIA

- HCL-CT2** Honeycomb Louver
- CGL-CT2** Clear Glass Lens
- SFL-CT2** Soft Focus Lens
- FGL-CT2** Frosted Glass Lens
- FSFL-CT2** Frosted Soft Focus Lens
- FLSL-CT2** Frosted Linear Spread Lens

REPLACEMENT OPTICS

Interchangeable optics accessible by removing baffle.

- | | | |
|---|---|--|
| <p>Static White</p> <ul style="list-style-type: none"> <input type="checkbox"/> RO-70-15-S 15° optic <input type="checkbox"/> RO-70-20-S 20° optic <input type="checkbox"/> RO-70-25-S 25° optic <input type="checkbox"/> RO-70-40-S 40° optic <input type="checkbox"/> RO-70-60-S 60° optic | <p>Warm Dim</p> <ul style="list-style-type: none"> <input type="checkbox"/> RO-70-15-W 15° optic <input type="checkbox"/> RO-70-20-W 20° optic <input type="checkbox"/> RO-70-25-W 25° optic <input type="checkbox"/> RO-70-40-W 40° optic <input type="checkbox"/> RO-70-60-W 60° optic | <p>Tunable White</p> <ul style="list-style-type: none"> <input type="checkbox"/> RO-70-15-S 15° optic <input type="checkbox"/> RO-70-20-S 20° optic <input type="checkbox"/> RO-70-25-S 25° optic <input type="checkbox"/> RO-70-40-S 40° optic <input type="checkbox"/> RO-70-60-S 60° optic |
|---|---|--|

EMERGENCY LIGHTING - REMOTE MOUNT ONLY

- EMB-S-25-120/277-LEDX** 25 watt max capacity, 120 or 277 VAC 60Hz
- EMB-S-100-120-LEDX** 100 watt max capacity, 120 VAC 60Hz, 0-10V dimmable
- EMB-S-100-277-LEDX** 100 watt max capacity, 277 VAC 60Hz, 0-10V dimmable
- EMB-S-250-120/277-LEDX** 250 watt max capacity, 120 or 277 VAC 60Hz

During disruption of main power, emergency battery inverter provides temporary 120V or 277V to fixture.

NOTE: CONSULT FACTORY FOR USE WITH WIRELESS CONTROLS.

ZERO-SIGHTLINE MILLWORK ROUTER TOOL GUIDE

Required for zero-sightline millwork installations. Factory recommends qty. 2 per order.

- CMHS-RTG** Router Tool Guide

REPLACEMENT BAFFLE ASSEMBLY (INCLUDES MEDIA)

ASSEMBLY	SHAPE	RATING	FINISH	MEDIA
RBA	CM2			
REPLACEMENT BAFFLE ASSEMBLY	CM2 3.25"	1 IP20 Dry/Damp 2 IP65 Wet* *(Requires provided suction cup to service)	WH White BK Black AB Architectural Bronze AG Satin Silver AU Cashmere Gold BB Burnt Bronze PR Primer CF Custom Finish * *(Consult Factory)	<p style="text-align: center;">LEAVE BLANK FOR SOFT FOCUS LENS (SFL)</p> HCL Honeycomb Louver* *(Not available for Wet Location) CGL Clear Glass Lens FGL Frosted Glass Lens FSFL Frosted Soft Focus Lens FLSL Frosted Linear Spread Lens NL No Lens* *(Not available for Wet Location)

MONOPOINT CM2 HANG STRAIGHT

PERFORMANCE - 3000K

LUMEN PACKAGE	WATTAGE	10° OPTIC FIELD REDUCER		15° OPTIC SOFT FOCUS LENS		20° OPTIC SOFT FOCUS LENS		25° OPTIC SOFT FOCUS LENS		40° OPTIC SOFT FOCUS LENS		60° OPTIC SOFT FOCUS LENS	
		DELIVERED	LPW	DELIVERED	LPW	DELIVERED	LPW	DELIVERED	LPW	DELIVERED	LPW	DELIVERED	LPW
80S11A	11	613	55	1143	104	1216	111	1202	109	1124	102	949	86
80S17A	17	828	49	1750	103	1843	108	1823	107	1690	99	1440	85
80S28B	28	-	-	2571	92	2756	98	2694	96	2529	90	2072	74
90S11A	11	528	48	982	89	1045	95	1033	94	966	88	815	74
90S17A	17	714	42	1503	88	1583	91	1566	92	1452	85	1237	73
90S28B	28	-	-	2209	79	2368	85	2314	83	2193	78	1780	64
97S11A	11	456	41	862	78	918	83	907	82	848	77	716	65
97S17A	17	616	36	1320	78	1390	82	1375	81	1275	75	1086	64
97S28B	28	-	-	1939	69	2079	74	2032	73	1908	68	1563	56
90L17A (2700K-1800K)	17	-	-	1249	73	1244	73	1229	72	1177	69	1046	62
90L17A (3000K-1800K)	17	-	-	1314	77	1309	77	1293	76	1238	73	1100	65
90T28B (4000K-1800K)	28	-	-	1972	70	1995	71	1971	70	1837	66	1655	59
90T28B (5000K-2700K)	28	-	-	1954	70	1977	71	1953	70	1820	65	1640	59

MEDIA LIGHT LOSS MULTIPLIER

MEDIA	LIGHT LOSS FACTOR
No Lens	1.05
CGL	1.00
SFL	1.00
FGL	0.85
FSFL	0.82
FLSL	0.78
HCL	0.75
SFL W/ HCL	0.68
FGL W/ HCL	0.47

OUTPUT MULTIPLIER

CCT	CCT SCALE
2400K	0.85
2700K	0.97
3000K	1.000
3500K	1.03
4000K	1.08

TUNABLE WHITE MULTIPLIER

CCT	5000K-2700K	4000K-1800K
5000K	1.16	-
4000K	1.08	1.14
3500K	1.04	1.07
3000K	1.00	1.00
2700K	0.96	0.92
2400K	-	0.84
1800K	-	0.69

TITLE 24 JA8-2022 INDICATED BY SHADING

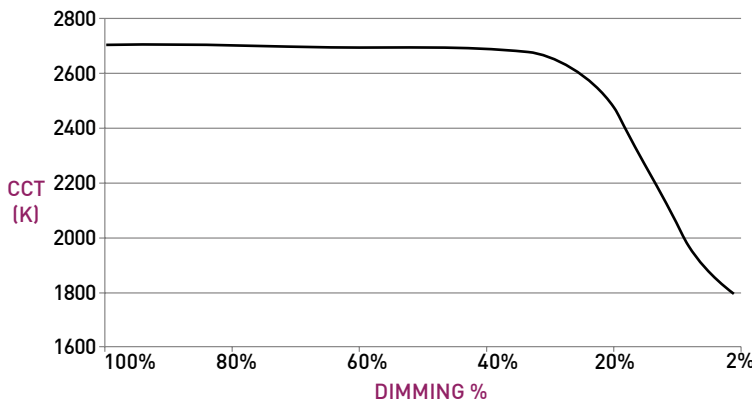
UNIFIED GLARE RATING

10° OPTIC FIELD REDUCER	15° OPTIC SOFT FOCUS LENS	20° OPTIC SOFT FOCUS LENS	25° OPTIC SOFT FOCUS LENS	40° OPTIC SOFT FOCUS LENS	60° OPTIC SOFT FOCUS LENS
>19	<13	<13	<13	<13	<16

WARM DIM PERFORMANCE - SOFT FOCUS LENS - 20° OPTIC

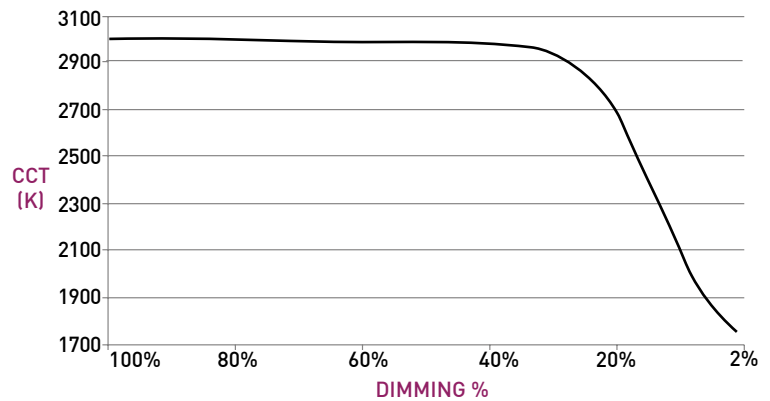
INCANDESCENT PROFILE

90L17AWL 2700K - 1800K	Full on 100%	Dimmed to 80%	Dimmed to 70%	Dimmed to 50%	Dimmed to 20%	Dimmed to 10%	Dimmed to 2%
CCT (K)	2700	2700	2700	2700	2500	1950	1800
Light Output (Lm)	1244	995	871	622	249	124	25
Power (W)	17	8.8	7.7	5.5	2.2	1.1	0.2
Efficacy (LPW)	73	73	73	73	73	73	73



HALOGEN PROFILE

90L17AWD 3000K - 1800K	Full on 100%	Dimmed to 80%	Dimmed to 70%	Dimmed to 50%	Dimmed to 20%	Dimmed to 10%	Dimmed to 2%
CCT (K)	3000	3000	3000	3000	3000	2150	1800
Light Output (Lm)	1309	1047	916	655	262	131	26
Power (W)	17	8.8	7.7	5.5	2.2	1.1	0.2
Efficacy (LPW)	77	77	77	77	77	77	77



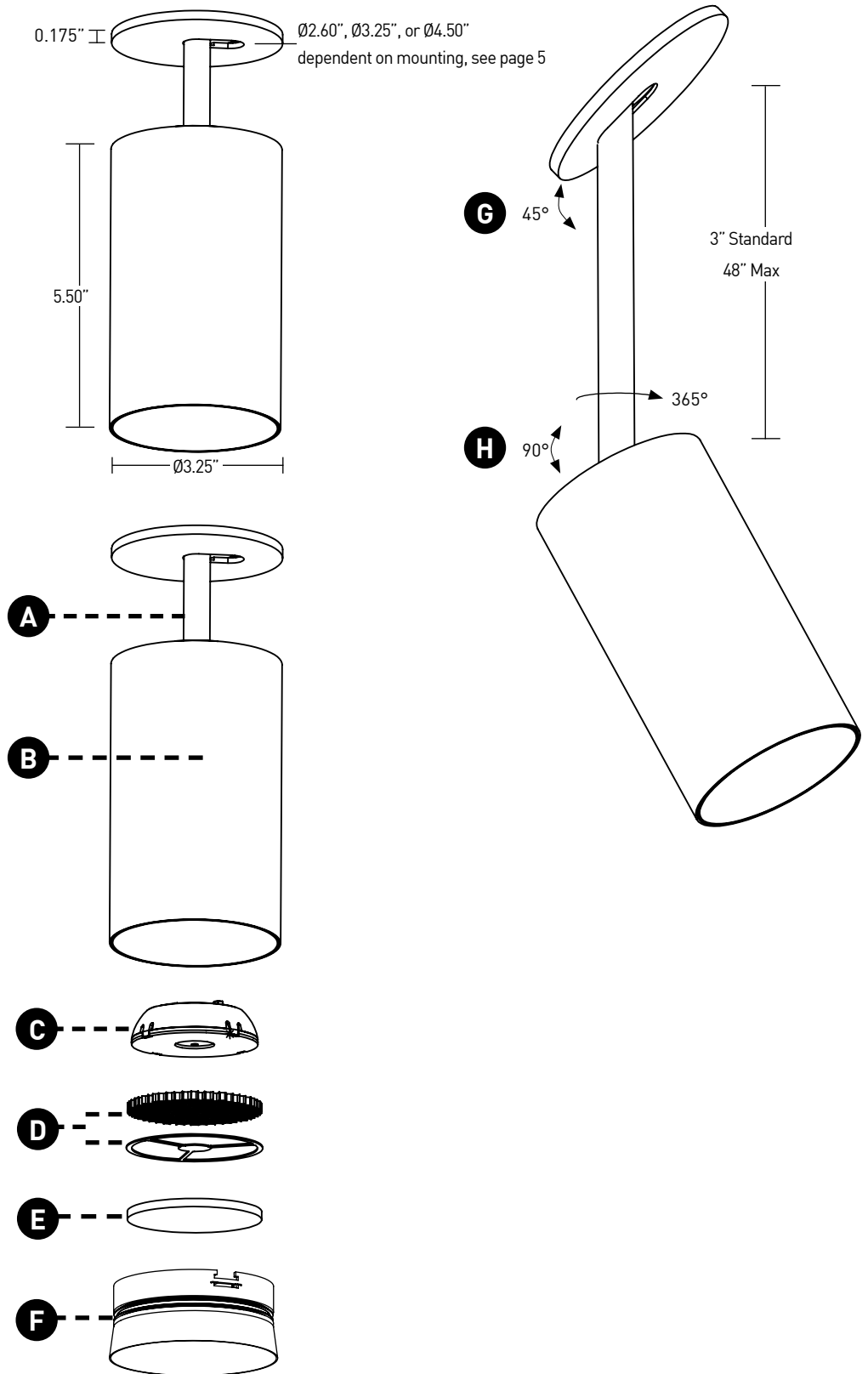
NOTE: LIN-TO-LIN 0-10V PAIRING NOT COMPATIBLE WITH WARM DIM.

MONOPOINT CM2 HANG STRAIGHT

MONOPOINT

- A STEM**
Standard length is 3", also available in 24" and 48" lengths. All lengths excepts 3" are field cuttable. Powdercoat finishes standard, consult factory for Alumina finishes.
- B BODY**
Available in powdercoat and Alumina finishes. Power supply integrated into fixture body.
- C OPTICS**
Robust light engine with optimized optic pairing integrates Reflection, Refraction, and TIR offering 10°, 15°, 20°, 25°, 40° & 60° beams.
- D 10° FIELD REDUCER**
Soft Focus Lens, Honeycomb Louver, and Field Reducer provided with 10° optic. Reduces field angle by 30%.
- E MEDIA**
Soft Focus Lens standard. Wet location media sealed in place.
- F BAFFLE**
Accepts 2 media devices. Baffle minimizes aperture glare and conceals view into fixture. Powdercoat finishes standard, consult factory for Alumina finishes.
- G HANG STRAIGHT CANOPY**
Features hidden ball joint that accomodates installations on up to 12/12 (45°) sloped ceilings.
- H ADJUSTABILITY**
Features locking 90° tilt and 365° rotation. Stem features 45° tilt to accommodate up to 12/12 slopes.

DIMENSIONS / DRAWINGS



MONOPOINT CM2 HANG STRAIGHT

MOUNTING

IMPORTANT: Fixture cannot be installed with pancake junction boxes.

I JBMP

Mounting plate (concealed) for standard 4" square or 4" 4/0 j-box. To be installed during rough-in, prior to substrate, for ceiling thicknesses up to 0.75". Fixture to mount flush with minimalist transition to ceiling.

Part Number - CMHS-JBMP

J ZERO-SIGHTLINE DRYWALL

Provided with mud-in appliqué that mounts to standard 4" 4/0 junction box. Allows fixture canopy to be recessed into ceiling for a flush or zero-sightline aesthetic. Standard plaster stop thickness of 1/16". Not recommended for stucco applications.

Part Number - DLA-APP-CMHS

K REMODEL / FLANGE OVERLAY

Provided with oversized canopy and mounting plate for standard 4" square or 4" 4/0 junction boxes. Ideal for existing applications and features oversized 4.5" canopy to cover standard 4" octagon box cutout.

Part Number - CMHS-SMK

L ZERO-SIGHTLINE MILLWORK

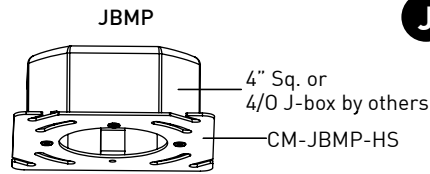
Mounting plate (concealed) for standard 4" square or 4" 4/0 junction boxes. To be installed during rough-in prior to substrate. Router guide, specified separately, required to make surface bore allowing fixture canopy to be recessed into ceiling for a flush or zero-sightline aesthetic.

Part Number - CMHS-JBMP

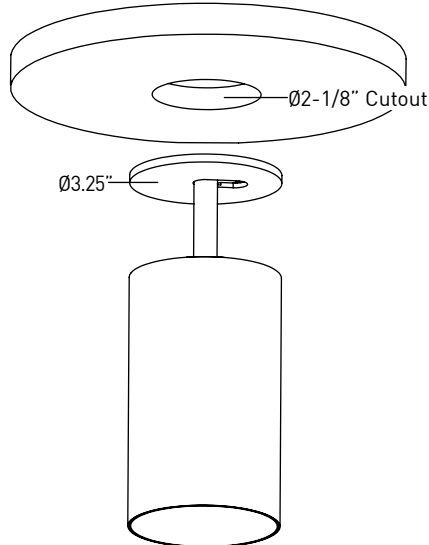
Router Guide Part Number - CMHS-RTG

DIMENSIONS / DRAWINGS

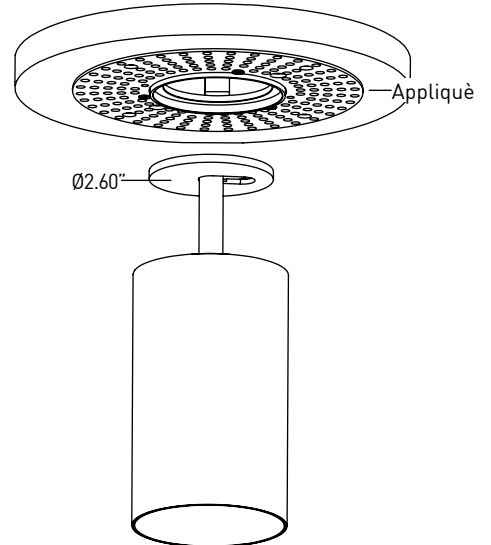
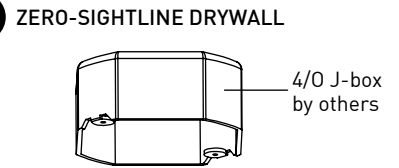
I



INSTALL JBMP BEFORE CEILING

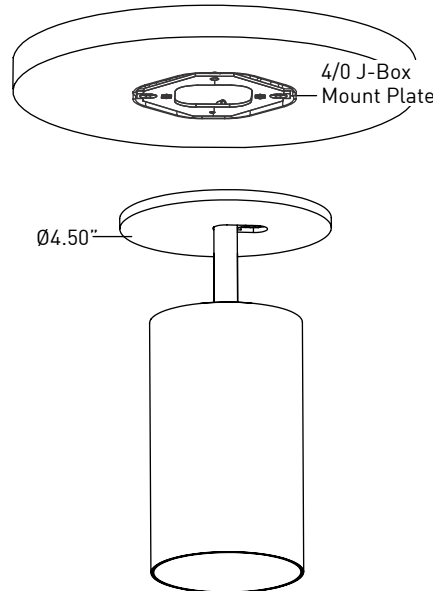
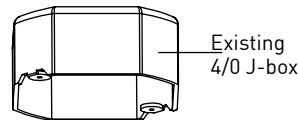


J



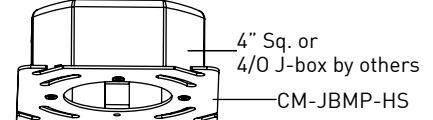
K

REMODEL / FLANGE OVERLAY

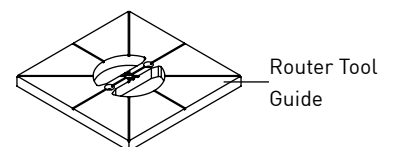
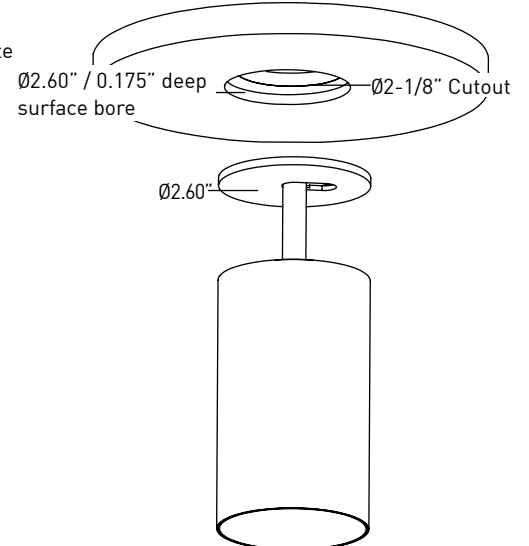


L

ZERO-SIGHTLINE MILLWORK



INSTALL JBMP BEFORE CEILING



MONOPOINT CM2 HANG STRAIGHT

REMOTE POWER SUPPLY

M Remote power supply provides additional driver options. See page 8 for maximum allowable wiring distance. Must be installed in an accessible location.

Note: Not included with fixtures designated as LVS.

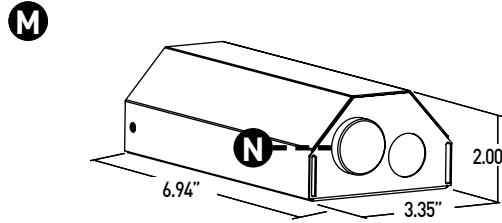
N ATHENA / CASAMBI CONTROL

Controls integrated into remote driver assembly. All equipment is serviceable.

Athena Model Numbers: A-WN-D01-RF-BL & DFC-OEM-DBI

Casambi Model Number: BT-S1E1-5400

DIMENSIONS / DRAWINGS



POWER SUPPLY DIMENSIONS			
Model	A	B	C
ALL OTHER DRIVERS	3.35"	6.94"	2.00"
AD1, DD2, DG1, MX2	5.00"	8.10"	2.00"

DISTRIBUTED POWER ACCESSORY

O HUB (SEPARATE COMPONENTS)

Included with "HUB" driver selection. Allows for multi-fixture power distribution from one remote power supply to a maximum of 6 fixtures. Connectable fixture quantity is specified in fixture part number on page 2. HUB base plate allows for structural mounting and wiring during rough-in. Wiring distances for HUB based on quantity featured in figure K.

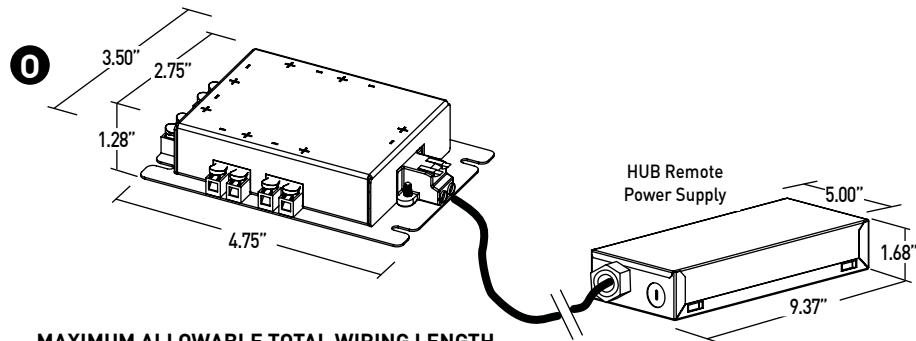
Model Number e.g.: HUB2X15W-PH1

P BUD (COMBINED ASSEMBLY)

Included with "BUD" driver selection. Allows for multi-fixture power distribution from combined remote power distribution assembly to a maximum of 6 fixtures. Connectable fixture quantity is specified in fixture part number on page 2. BUD base plate allows for structural mounting and wiring during rough-in. Wiring distances for BUD based on quantity featured in figure J.

Model Number e.g.: BUD4X11W-SG5

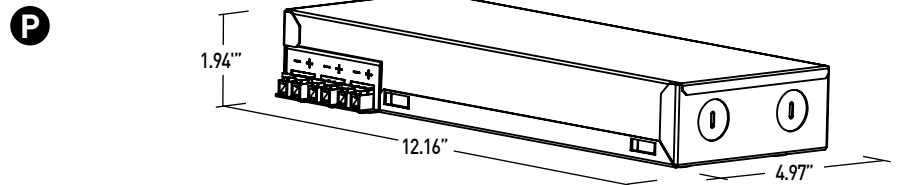
DIMENSIONS / DRAWINGS



MAXIMUM ALLOWABLE TOTAL WIRING LENGTH

DRIVER-TO-HUB AWG	HUB-TO-FIXTURE AWG	TOTAL LENGTH
18	18	150'
16	16	200'
14	14	250'
12	18	400'*
12	16	450'*
12	14	500'*

*Total length requires 250' 12AWG Driver-to-Hub wiring

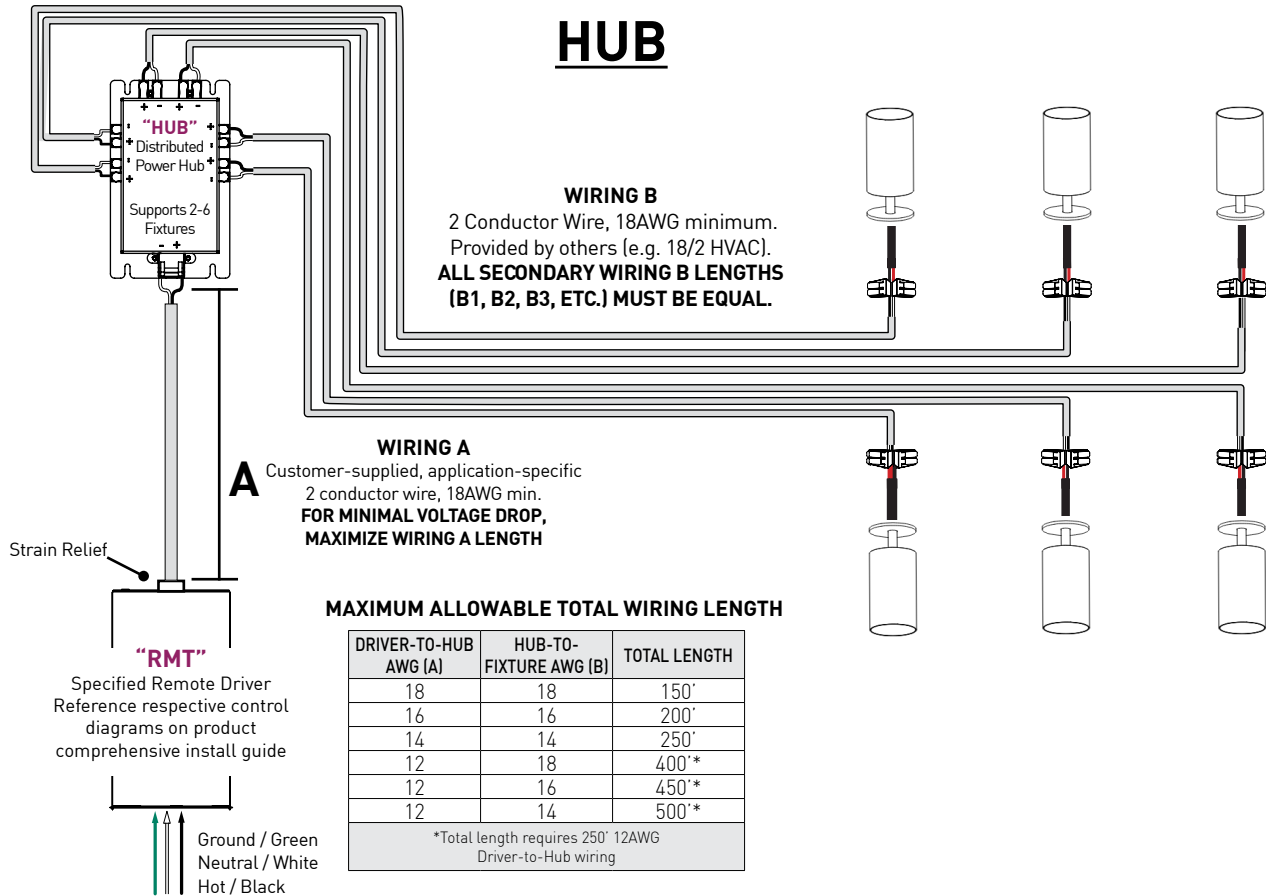


MAXIMUM ALLOWABLE TOTAL WIRING LENGTH

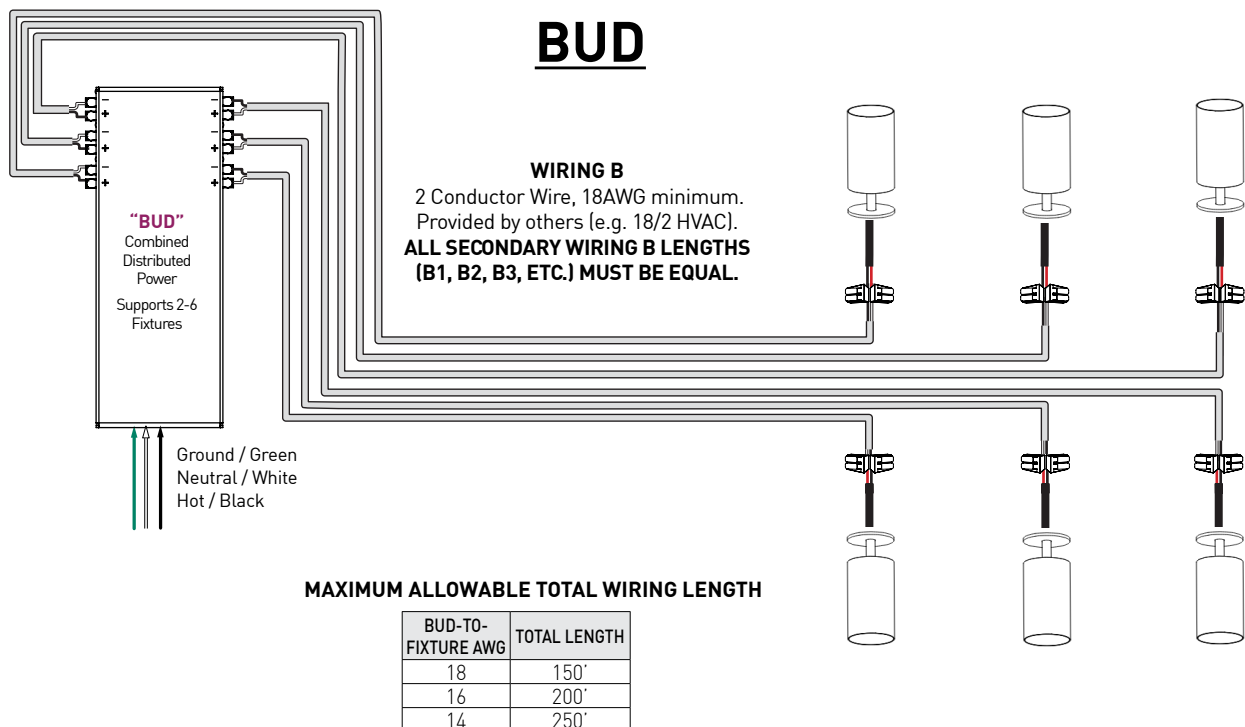
BUD-TO-FIXTURE AWG	TOTAL LENGTH
18	150'
16	200'
14	250'

MONOPOINT CM2 HANG STRAIGHT

HUB WIRING DETAILS



HUB WIRING DETAILS



MONOPOINT CM2 HANG STRAIGHT

LOW VOLTAGE SYSTEM (LVS) SPECIFICATION NOTES

- Customers are responsible for ensuring power supply drive current is set to correct values shown below in the drive current specifics section.
- Customers must ensure voltage range of the proposed power supply encompasses the fixtures complete Vf range, both maximum and minimum, and can be set to the required mA drive current. If assistance is required contact your manufacturers representative or the factory.
- Lucifer Lighting is not responsible for confirming dimming compatability between power supplies and control systems / dimmers.
- Lucifer Lighting will not ship fixtures with a power supply supplied by others inside the fixture.
- Consult power supply manufacturer for maximum remote wiring distances.
- Housing and Fixture feature 18 AWG wiring.
- Wiring connections are made in the splicing compartment using customer supplied connectors, ex. wire nuts, push-in connectors, or terminal blocks.
- LVS Housings and Fixtures supplied by Lucifer Lighing are UL 2108 Listed.

DRIVE CURRENT SPECIFICS

	80S / 90S / 97S			90W	90T
	11A	17A	28B	17A	28B
Minimum Vf	31	31	31	31	31
Maximum Vf	36	36	36	37	37
Current mA	250	400	650	400	650
Wattage W	8.4	13.5	21.8	13.4	21.4

MONOPOINT CM2 HANG STRAIGHT

TECHNICAL

CONSTRUCTION

Monopoint: Machined aluminum body; painted finishes are granulated powder coat; Alumina finishes are anodized aluminum.

Remote Power Supply: 22 Gauge galvanized steel.

Appliqué: Machined Aluminum

STATIC WHITE LED

2-step MacAdam ellipse LED module available in 80+, 90+ and 97+ CRI configurations in color temperatures of 2700K, 3000K, 3500K and 4000K. 3-step MacAdam ellipse LED module available in 90+ CRI configurations in color temperature of 2400K. Average rated lamp life of 50,000 hours.

WARM DIM LED

3-step MacAdam ellipse warm dim LED module available in 90+ CRI configuration. 3000K or 2700K at full brightness, warming to 1800K at full dim. Average rated lamp life of 50,000 hours.

TUNABLE WHITE LED

3-step MacAdam ellipse tunable white LED module available in 90+ CRI configuration. Features tuning ranges of 1800K to 4000K and 2700K to 5000K. Average rated lamp life of 50,000 hours.

POWER SUPPLY PERFORMANCE AND DIMMING INFORMATION

Power Supply	PHASE	ECO			0-10V				DALI-2		DMX		ATHENA	
	CE3/RE3	LH1	LP1	CA3/RA3	SG3	EG1	DG1	ED1	DD2	LX1	MX2	AS1	AD1	
Minimum °C	-20 °C	0 °C	0 °C	-20 °C	-20 °C	-20 °C	-20 °C	-20 °C	-20 °C	-20 °C	-40 °C	-20 °C	-20 °C	
Maximum °C	40 °C	40 °C	40 °C	40 °C	40 °C	40 °C	40 °C	40 °C	40 °C	40 °C	40 °C	40 °C	40 °C	
Dimming %	2.0%	1.0%	0.1%	2.0%	1.0%	0.1%	0.1%	0.1%	0.1%	0.1%	0.1%	0.1%	0.1%	

Note: For LH1, LP1, SG3, and EG1 drivers consult chart on page 11 to confirm appropriate dimming curve for compatibility with selected control.

MAXIMUM ALLOWABLE REMOTE DRIVER WIRING DISTANCES

DRIVER	WIRE AWG				
	12	14	16	18	20
RA3, RE3	-	164'	105'	66'	40'
LH1, LP1	60'	40'	25'	15'	-
EG1, SG3, ED1, DG1, DD2, AS1, AD1, LX1	-	-	118'	72'	46'

LISTING

cTUVus listed to UL1598 standard for Dry / Damp and IP65 Wet locations.

LVS designated fixtures are listed to UL 2108.

Title 24 JA8-2022 Listed.

NEMA 410 Compliant.

DECLARE

LBC Red List Approved.

BUY AMERICAN ACT / BUILD AMERICA BUT AMERICA

Buy American Act (BAA) and Build America Buy America (BABA) compliant.

LIMITED WARRANTY

Manufacturer's Limited Warranty guarantees product(s) listed to be free from defects in material and workmanship under normal use and service for 1-year. LED and power supplies are warranted to operate with 70% of original flux and remain within a range of 3 duv for a period of 5-years.

10-year Lutron Advantage limited warranty available on Lutron equipped systems. Warranty period begins from the date of shipment by Seller.

[Consult website for full warranty terms and conditions.](#)

CHANGE LOG

- 03/18/2024: UPDATED 10 DEGREE NARROW BEAM TO UTILIZE FILED REDUCER.
- 07/15/2024: REMOVED L2 DRIVER OFFERING.
- 09/19/2024: UPDATED WITH NEW BAFFLE DESIGN.
- 05/07/2025: UPDATED WARM DIM OFFERING.
- 09/23/2025: DISCONTINUED EM SHUNT OFFERINGS.
- 01/02/2026: ADDED LVS OFFERING.
- 03/16/2026: ADDED HUB & BUD POWER SUPPLY
- 06/26/2026: ADDED DMX OFFERINGS.
- 06/26/2026: DISCONTINUED 0-10V LINEAR AND CASAMBI OFFERINGS.

MONOPOINT CM2 HANG STRAIGHT

DIMMING COMPATABILITY

LUTRON DRIVER COMPATIBILITY

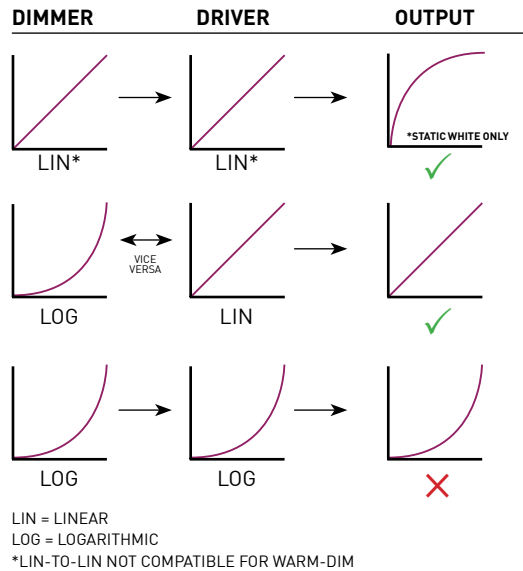
LH1 / LP1 Lutron Product Family	Part No.
PowPak Dimming Modules	RMJ-ECO32-DV-B
PowPak Dimming Modules	FCJ/FCJS-ECO
Energi Savr Nodes	QSN-1ECO-S
GRAFIK Eye QS control unit Homeworks QS control unit	QSN-2ECO-S
GRAFIK Eye QS control unit Homeworks QS control unit	QSGRJ-_E (wireless) QSGR-_E
Quantum Hub	QP2-__2C
Quantum Hub	QP2-__4C
Quantum Hub	QP2-__6C
Quantum Hub	QP2-__8C
Homeworks QS power module myRoom Plus power module	LQSE-2ECO-D



eldoLED DRIVER COMPATIBILITY

SG3, EG1 Manufacturer	Family/Model #
Busch-Jaeger	2112U-101
Jung	240-10
Leviton Lighting Controls	IP710-DLX
Lightolier Controls	ZP600FAM120
Merten	5729
Pass & Seymour	CD4FB-W
The Watt Stopper	DCLV1
Synergy	ISD BC
Crestron®	GLX-DIMFLV8
Crestron®	GLXP-DIMFLV8
Crestron®	GLPAC-DIMFLV4-*
Crestron®	GLPAC-DIMFLV8-*
Crestron®	GLPP-DIMFLVEX-PM
Crestron®	GLPP-1DIMFLV2EX-PM
Crestron®	GLPP-1DIMFLV3EX-PM
Crestron®	DIN-A08
Crestron®	DIN-4DIMFLV4
Crestron®	CLS-EXP-DIMFLV
Crestron®	CLCI-1DIMFLV2EX

ANALOG DRIVERS AND DIMMERS



DMX DIMMING INFORMATION

- Fixtures do not ship pre-addressed; fixture addressing is completed by the installer or a commissioning contractor via RDM.
- All fixtures are RDM compatible.
- DMX Channel Count:
Static White / Warm Dim: 1
Tunable White: 2; Channel 1 Warm and Channel 2 Cool
- DMX run termination provided by others.
- DMX Connection Type: Pigtail
- DMX Color Scheme:
DMX+: Yellow
DMX-: Pink
DMX Shield: Orange
- Installation may require shielded cable if EMI is present.
- Fixture Default Mode: FULL ON
- Fixture Fail Mode: ON 10% DIMMED