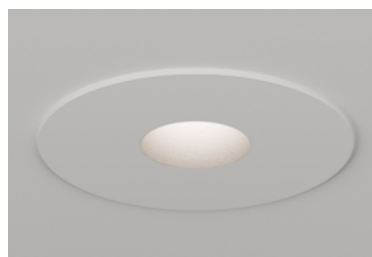


0 SERIES INT FLANGE OVERLAY

PROJECT NAME:	TYPE:
---------------	-------



- Max output of 927Lm at 80+ CRI, 799Lm at 90+ CRI
- Available for trimless and zero-sightline applications. See separate spec sheet.

ORDERING INFORMATION - FIXTURE

TRIM	RATING	TYPE	BAFFLE & MOUNTING	EXTERIOR FINISH	INTERIOR FINISH	CRI	WATTAGE	CCT	OPTIC	MEDIA	INSTALL TYPE	CEILING THICKNESS	DRIVER	
		D	F		BK						EX	1		
ORM 1/2" (13mm) Round Micro	1 IP20 Dry/Damp	D Fixed	F Flange Overlay	POWDERCOAT	BK Black					NL No Lens * *(Not available for wet location)	EX Export	1 13mm - 38mm	IG1 eldoLED, SOLOdrive 0.1% 0-10V, LOG, 120V-277V	
OSM 1/2" (13mm) Square Micro	2 IP64 Wet			WH White	FINISH IMAGES ON PAGE 2	80S 80+ CRI	ORM/OSM	24 2400K*	20 20°	01 Clear Media			ID1 eldoLED, SOLOdrive 0.1% DALI-2, LOG, 120V-277V	
				AG Satin Silver		90S 90+ CRI	06C 6W, 433 Lm	27 2700K	30 30°	02 Soft Focus Media* *(Required for 20° Optic)				
				AU Cashmere Gold		95S 95+ CRI	11C 11W, 661 Lm	30 3000K	40 40°	03 Warm Dim Diffusion Media* *(Required for Warm Dim)				
				AB Architectural Bronze			15C 15W, 927 Lm	35 3500K						
				BB Burnt Bronze										
				BK Black										
				SB Specular Black			90L 90+ CRI	ORM/OSM		40 40°				
				PR Primer				11D 11W						
				CF Custom Finish * *(Consult Factory)				15D 15W	WL 2700K-1800K					
				ALUMINA				Incandescent Profile 11D - 358 Lm 15D - 471 Lm	WD 3000K-1800K					
				01 Brushed Obsidian			Halogen Profile 11D - 373 Lm 15D - 504 Lm							
				02 Matte Obsidian										
				03 Brushed Dark Patinated Bronze										
				04 Matte Dark Patinated Bronze										
				05 Brushed Aged Aluminum										
				06 Matte Aged Aluminum										
				07 Brushed Cast Brass										
				08 Matte Cast Brass										
				09 Brushed Light Patinated Bronze										
				10 Matte Light Patinated Bronze										
							DELIVERED LUMEN OUTPUTS REFLECT 80CRI OR WARM DIM, 3000K, 40° OPTIC, AND NO LENS.							
											REMOTE HUB Separate Remote Power Supply and Distribution Hub, Powers up to 6 Fixtures* *(Requires further specification on page 2) BUD Combined Remote Power Distribution, Powers up to 6 Fixtures* *(Requires further specification on page 2) REMOTE DRIVERS NOT ACCESSIBLE THROUGH CEILING CUTOUT NO DRIVER NOD No Driver* *(See page 7 for specification information)			

PART NUMBER NOTES

- Fixture ships as e.g., 0RM1DFAUBK90S15C3540NLEX11D1
- Driver, trim, and applique ship as one unit

0 SERIES INT FLANGE OVERLAY

DISTRIBUTED POWER ACCESSORIES

CONFIGURATION - REQUIRED FOR 'HUB' AND 'BUD' DRIVER SPECIFICATION

ASSEMBLY	QTY	WATTAGE	REMOTE DRIVER
HUB Separate Remote Power Supply and Distribution Hub	2X 2 Fixtures 3X 3 Fixtures 4X 4 Fixtures 5X 5 Fixtures 6X 6 Fixtures	06W 6 Watts 11W 11 Watts 15W 15 Watts	IG1 eldoLED, SOLOdrive 0.1%, 0-10V, LOG, 120V-277V ID1 eldoLED, SOLOdrive 0.1%, DALI-2, LOG, 120V-277V
BUD Combined Remote Power Distribution			

COMPATIBILITY BY DRIVER TYPE AND QUANTITY

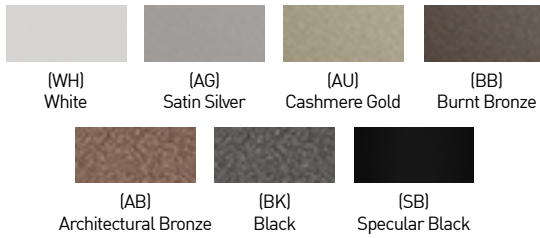
DRIVER	HUB2X			HUB3X			HUB4X			HUB5X			HUB6X		
	06W	11W	15W	06W	11W	15W	06W	11W	15W	06W	11W	15W	06W	11W	15W
IG1/ID1	✓	✓	✓	✓	✓	✓	✓	✓	✓	✓	✓	✓	✓	✓	✓

PART NUMBER NOTES

- HUB and BUD assemblies are ordered as separate line item from fixtures. See pages 5-6 for additional details.

FINISHES

POWDERCOAT FINISHES



ALUMINA FINISHES BY LUCIFER LIGHTING™



ACCESSORIES

REPLACEMENT OPTICS

Interchangeable optics accessible through fixture aperture with flange removal.

STATIC WHITE

- RO-17-A-20 20° optic
- RO-17-A-30 30° optic
- RO-17-A-40 40° optic

WARM DIM

- RO-17-A-40-W 40° optic

HANGER BAR EXTENDER KIT

Extends hanger bars from 24.0" to 46.0" maximum.

- FRX-HBE-46 Extender, Hanger Bar

REPLACEMENT FLANGE ASSEMBLY (INCLUDES MEDIA)

ASSEMBLY	SHAPE	RATING	TYPE	BAFFLE	EXTERIOR FINISH	INTERIOR FINISH	MEDIA
RBA			D			BK	
REPLACEMENT FLANGE ASSEMBLY	0RM Round 0SM Square	1 IP20 Dry/Damp 2 IP64 Wet	D Fixed	F Flange Overlay	WH White AG Satin Silver AU Cashmere Gold AB Arch. Bronze BB Burnt Bronze BK Black PR Primer CF Custom Finish* *(Consult Factory) **See page 1 for Alumina finish options	BK Black	NL No Lens* *(Not available for wet location) 01 Clear Glass Media 02 Soft Focus Media* *(Required for 20° Optic) 03 Warm Dim Diffusion Media* *(Required for Warm Dim)

0 SERIES INT FLANGE OVERLAY

PERFORMANCE - 3000K

LUMEN PACKAGE	WATTS	20° OPTIC Soft Focus Media		30° OPTIC No Lens		40° OPTIC No Lens	
		DLVD	LPW	DLVD	LPW	DLVD	LPW
80S06C	6	207	34	359	60	433	72
80S11C	11	317	29	550	50	661	60
80S15C	15	444	30	772	51	927	62
90S06C	6	179	30	310	52	372	62
90S11C	11	273	25	474	43	570	52
90S15C	15	383	26	664	44	799	53
95S06C	6	129	21	223	37	268	45
95S11C	11	197	18	341	31	410	37
95S15C	15	272	18	472	31	567	38
90L11DL (27K-18K)	11	-	-	-	-	358	33
90L11DD (30K-18K)	11	-	-	-	-	373	34
90L15DL (27K-18K)	15	-	-	-	-	471	31
90L15DD (30K-18K)	15	-	-	-	-	504	34

OUTPUT MULTIPLIER

CCT	CCT SCALE
2400K	0.89
2700K	0.98
3000K	1.00
3500K	1.09
4000K	1.14

MEDIA LIGHT LOSS MULTIPLIER

MEDIA	LIGHT LOSS FACTOR
NO LENS	1.00
LENS	0.93

FINISH MULTIPLIER

CCT	CCT SCALE
WHITE	1.00
BLACK	0.98
SPECULAR BLACK	0.98

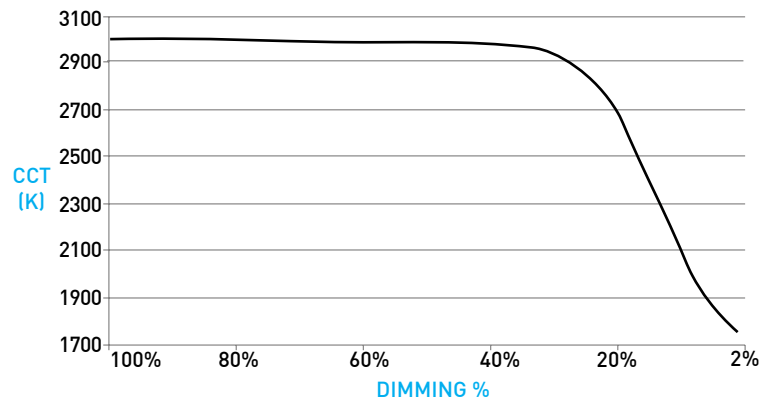
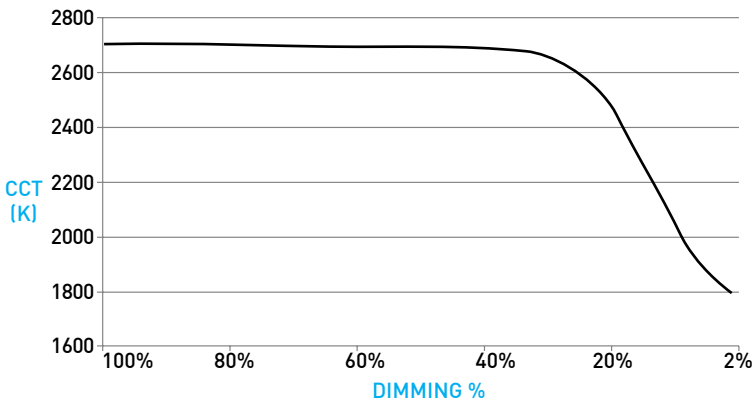
WARM DIM PERFORMANCE - 40° OPTIC

INCANDESCENT PROFILE - ZERO SIGHTLINE

	Full on 100%	Dimmed to 80%	Dimmed to 70%	Dimmed to 50%	Dimmed to 20%	Dimmed to 10%	Dimmed to 2%
90L11DL 2700K - 1800K							
CCT (K)	2700K	2700K	2700K	2700K	2200K	1900K	1800K
Light Output (Lm)	358	286	251	179	72	36	7
Power (W)	11	8.8	7.7	5.5	2.2	1.1	0.2
Efficacy (LPW)	33	33	33	33	33	33	33
90L15DL 2700K - 1800K							
CCT (K)	2700K	2700K	2700K	2700K	2450K	1900K	1800K
Light Output (Lm)	471	377	330	236	94	47	9
Power (W)	15	12	10.5	7.5	3	1.5	0.3
Efficacy (LPW)	31	31	31	31	31	31	31

HALOGEN PROFILE - ZERO SIGHTLINE

	Full on 100%	Dimmed to 80%	Dimmed to 70%	Dimmed to 50%	Dimmed to 20%	Dimmed to 10%	Dimmed to 2%
90L11DD 3000K - 1800K							
CCT (K)	3000K	3000K	3000K	3000K	2300K	1850K	1800K
Light Output (Lm)	373	298	261	187	75	37	731
Power (W)	11	8.8	7.7	5.5	2.2	1.1	0.2
Efficacy (LPW)	34	34	34	34	34	34	34
90L15DD 3000K - 1800K							
CCT (K)	3000K	3000K	3000K	3000K	2700K	1900K	1800K
Light Output (Lm)	504	403	353	252	101	50	10
Power (W)	15	12	10.5	7.5	3	1.5	0.3
Efficacy (LPW)	34	34	34	34	34	34	34



NOTE: LIN-TO-LIN 0-10V PAIRING NOT COMPATIBLE WITH WARM DIM.

O SERIES INT FLANGE OVERLAY

DOWNLIGHT / HOUSING

A FIXED LIGHT ENGINE

Robust light engine with optimized optic pairing integrates Reflection, Refraction, and TIR offering 20°, 30°, and 40° beams.

Features integrated retention arms.

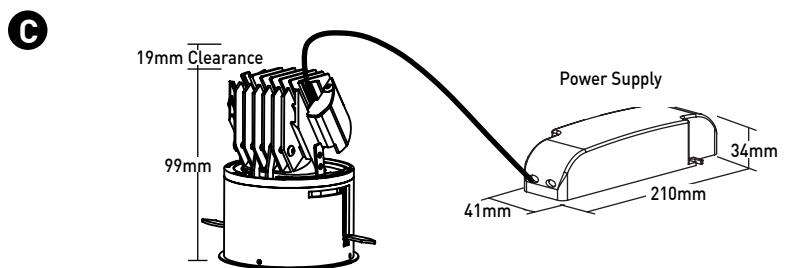
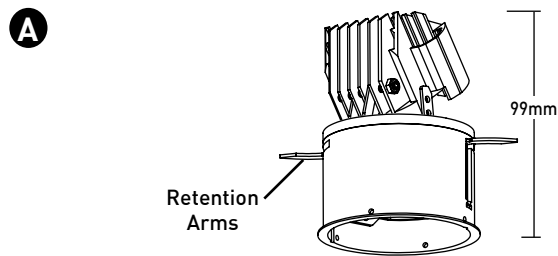
B FLANGE OVERLAY

Flange available in powdercoat and alumina finishes.

C REMODEL WITH NON-IC TETHERED POWER SUPPLY

- Requires 70mm cutout.
- Tethered power supply with protected wiring between fixture and power supply.
- Minimum 19mm clearance from top of fixture.
- Minimum setback from combustible and non-combustible materials of 168mm radius from fixture centerline; minimum 76mm from surfaces of power supply if not situated within above noted radius from fixture centerline.
- Minimum additional 76mm setback from insulation material with max R-Value 30 from any surface of downlight fixture assembly.
- Minimum additional 152mm setback from polycell spray foam insulation with max R-Value 60 from any surface of downlight fixture assembly.
- Consult factory for spacing requirements for any installations exceeding R-Value 60.
- Do not install in environments where ambient temperatures exceed 40°C (104°F).

DIMENSIONS / DRAWINGS



0 SERIES INT FLANGE OVERLAY

DISTRIBUTED POWER ACCESSORY

D HUB (SEPARATE COMPONENTS)

Included with "HUB" driver selection. Allows for multi-fixture power distribution from one remote power supply to a maximum of 6 fixtures. Connectable fixture quantity is specified in fixture part number on page 2. Hub base plate allows for structural mounting and wiring during rough-in. Wiring distances for HUB based on quantity featured in figure D.

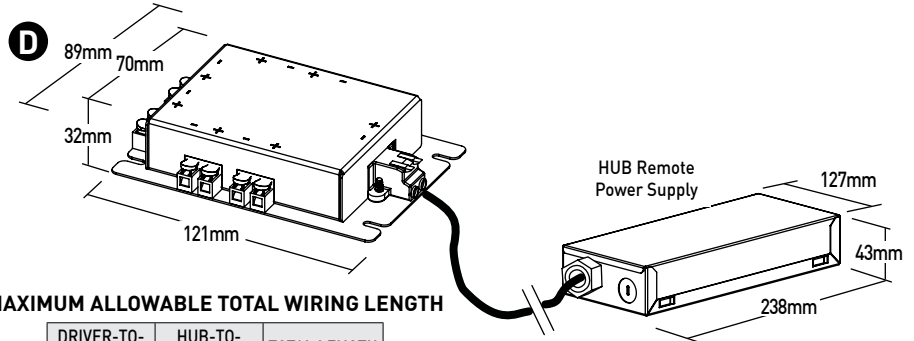
Model Number e.g.: HUB2X15W-IG1

E BUD (COMBINED ASSEMBLY)

Included with "BUD" driver selection. Allows for multi-fixture power distribution from combined remote power distribution assembly to a maximum of 6 fixtures. Connectable fixture quantity is specified in fixture part number on page 2. BUD base plate allows for structural mounting and wiring during rough-in. Wiring distances for BUD based on quantity featured in figure E.

Model Number e.g.: BUD4X11W-SG5

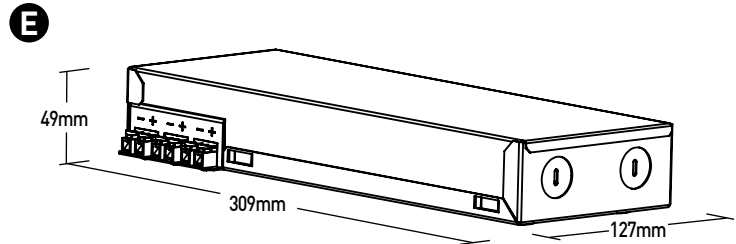
DIMENSIONS / DRAWINGS



MAXIMUM ALLOWABLE TOTAL WIRING LENGTH

DRIVER-TO-HUB AWG	HUB-TO-FIXTURE AWG	TOTAL LENGTH
18	18	46m
16	16	61m
14	14	76m
12	18	122m*
12	16	137m*
12	14	152m*

*Total length requires 76m 12AWG Driver-to-Hub wiring

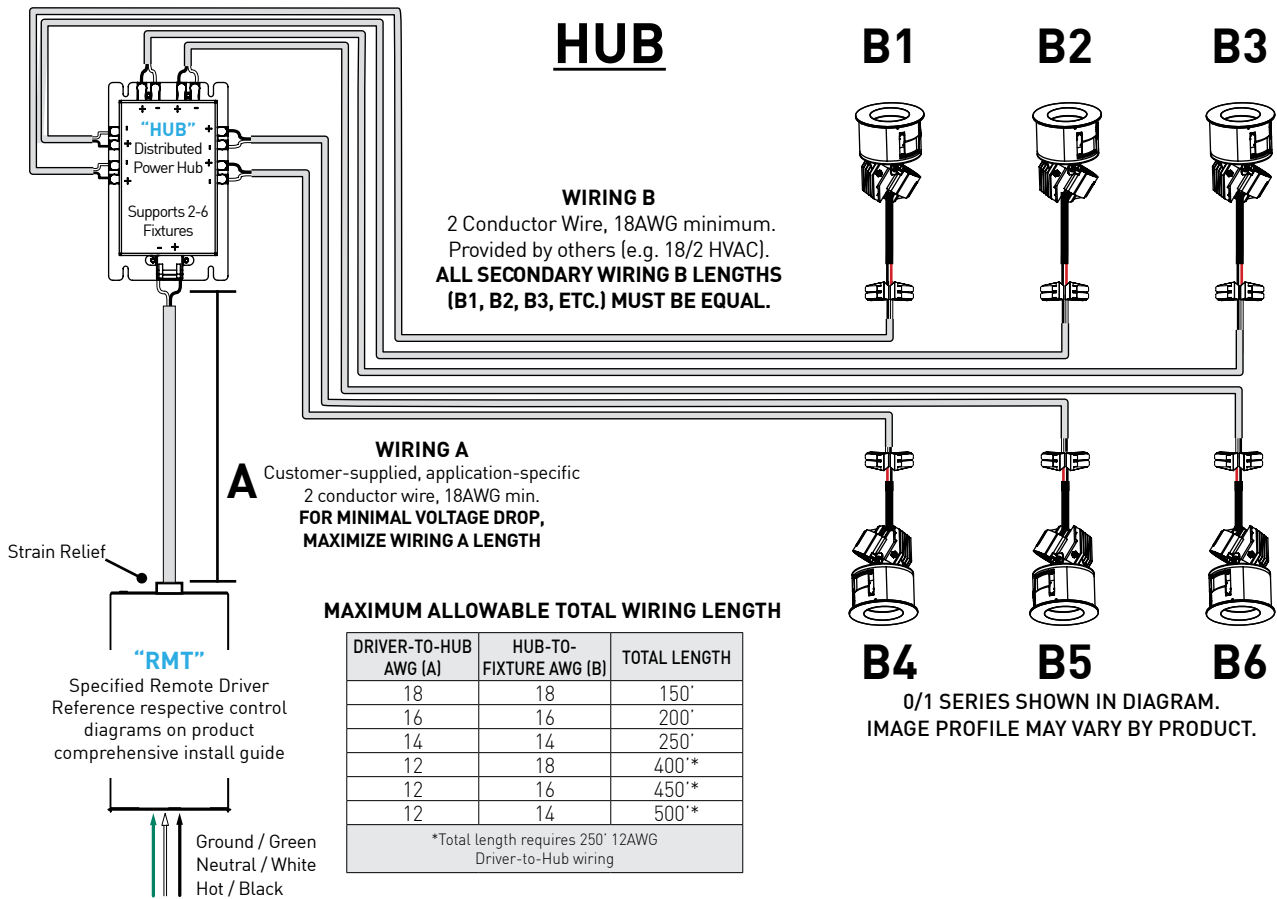


MAXIMUM ALLOWABLE TOTAL WIRING LENGTH

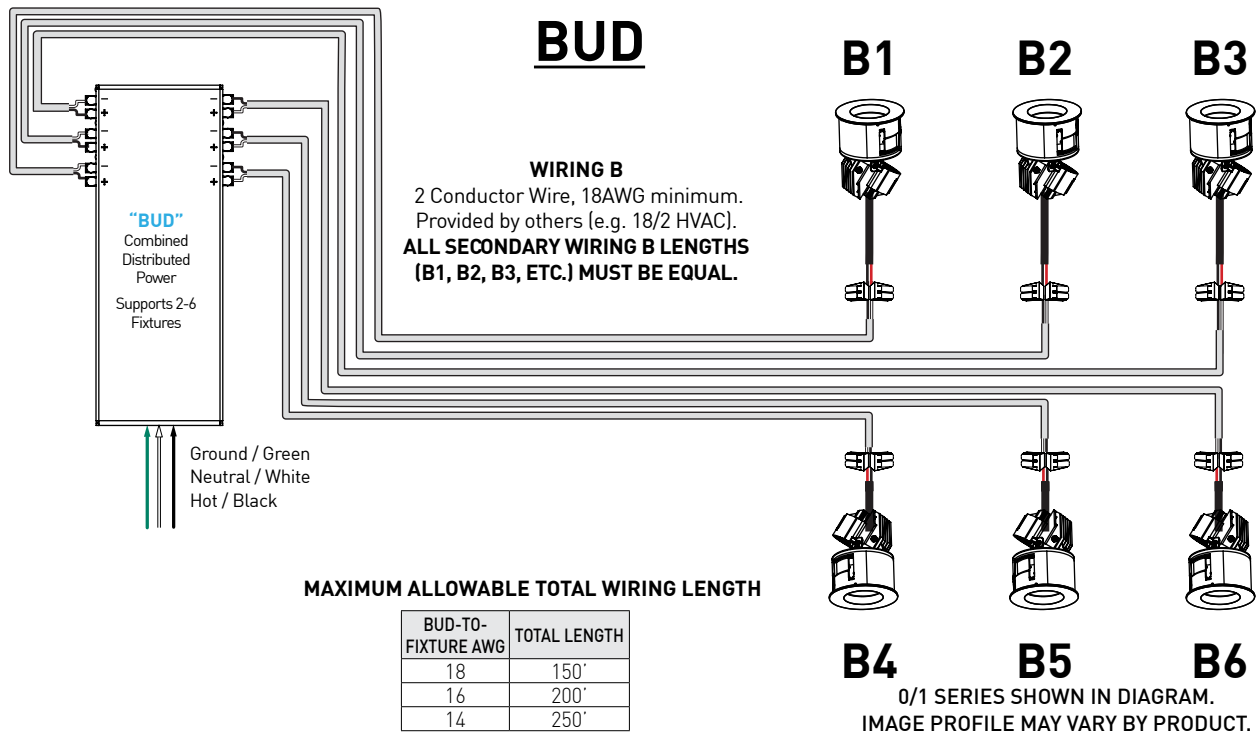
BUD-TO-FIXTURE AWG	TOTAL LENGTH
18	150'
16	200'
14	250'

0 SERIES INT FLANGE OVERLAY

HUB WIRING DETAILS



BUD WIRING DETAILS



0 SERIES INT FLANGE OVERLAY

LOW VOLTAGE SYSTEM (LVS) SPECIFICATION NOTES

- Customers are responsible for ensuring power supply drive current is set to correct values shown below in the drive current specifics section.
- Customers must ensure voltage range of the proposed power supply encompasses the fixtures complete Vf range, both maximum and minimum, and can be set to the required mA drive current. If assistance is required contact your manufacturers representative or the factory.
- Lucifer Lighting is not responsible for confirming dimming compatability between power supplies and control systems / dimmers.
- Lucifer Lighting will not ship fixtures with a power supply supplied by others inside the fixture.
- Consult power supply manufacturer for maximum remote wiring distances.
- Housing and Fixture feature 18 AWG wiring.
- Wiring connections are made in the splicing compartment using customer supplied connectors, ex. wire nuts, push-in connectors, or terminal blocks.
- LVS Housings and Fixtures supplied by Lucifer Lighing are UL 2108 Listed.

DRIVE CURRENT SPECIFICS

	80S / 90S / 95S			90L	
	06C	11C	15C	11D	15D
Minimum Vf	31	31	31	33	33
Maximum Vf	37	37	37	38	38
Current mA	150	250	350	250	350
Wattage W	5.0	8.5	11.8	8.9	12.5

0 SERIES INT FLANGE OVERLAY

TECHNICAL

CONSTRUCTION

Downlight: Painted finishes are granulated powder coat; Alumina finishes are anodized aluminum.

Appliqué: Aluminum base with 22 Gauge galvanized steel flange.

STATIC WHITE LED

2-step MacAdam ellipse LED module available in 80+, 90+ and 95+ CRI configurations in color temperatures of 2700K, 3000K, 3500K and 4000K. 3-step MacAdam ellipse LED module available in 90+ CRI configuration in color temperature of 2400K. Average rated lamp life: 50,000 hours. LED and driver assemblies are field-replaceable.

WARM DIM LED

3-step MacAdam ellipse warm dim LED module available in 90+ CRI configuration 3000K or 2700K at full brightness, warming to 1800K at full dim. Average rated lamp life of 50,000 hours. LED and driver assemblies are field-replaceable.

POWER SUPPLY PERFORMANCE AND DIMMING INFORMATION

	0-10V	DALI-2
Power Supply	IG1	ID1
Minimum °C	-20 °C	-20 °C
Maximum °C	40 °C	40 °C
Dimming %	0.1%	0.1%

Note: For IG1 driver consult chart on page 9 to confirm appropriate dimming curve for compatibility with selected control

MAXIMUM ALLOWABLE REMOTE DRIVER WIRING DISTANCES (SINGLE FIXTURE, SINGLE DRIVER)

DRIVER	WIRE AWG				
	12	14	16	18	20
IG1, ID1	-	-	36m	22m	14m

LISTING

CE Listed for IP20 Dry / Damp and IP64 Wet locations.

WEIGHT

Remote Driver - .64kg

LIMITED WARRANTY

Manufacturer's Limited Warranty guarantees product(s) listed to be free from defects in material and workmanship under normal use and service for 1-year. LED and power supplies are warranted to operate with 70% of original flux and remain within a range of 3 duv for a period of 5-years. 10-year Lutron Advantage limited warranty available on Lutron equipped systems. Warranty period begins from the date of shipment by Seller.

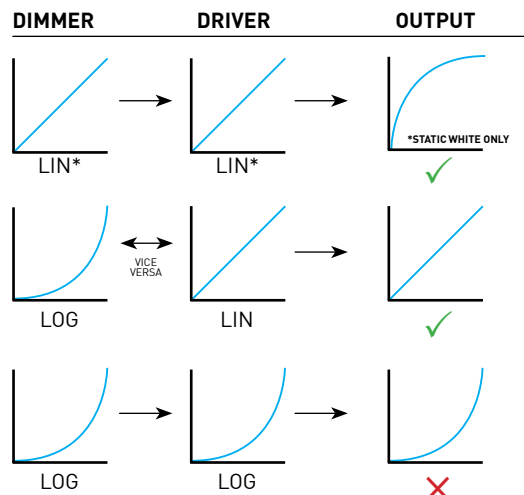
0 SERIES INT FLANGE OVERLAY

DIMMING COMPATIBILITY

eldoLED DRIVER COMPATIBILITY

Power supply IG1 Manufacturer	Family/Model #
Busch-Jaeger	2112U-101
Jung	240-10
Leviton Lighting Controls	IP710-DLX
Lightolier Controls	ZP600FAM120
Merten	5729
Pass & Seymour	CD4FB-W
The Watt Stopper	DCLV1
Synergy	ISD BC
Crestron®	GLX-DIMFLV8
Crestron®	GLXP-DIMFLV8
Crestron®	GLPAC-DIMFLV4-*
Crestron®	GLPAC-DIMFLV8-*
Crestron®	GLPP-DIMFLVEX-PM
Crestron®	GLPP-1DIMFLV2EX-PM
Crestron®	GLPP-1DIMFLV3EX-PM
Crestron®	DIN-A08
Crestron®	DIN-4DIMFLV4
Crestron®	CLS-EXP-DIMFLV
Crestron®	CLCI-1DIMFLV2EX

ANALOG DRIVERS AND DIMMERS



LIN = LINEAR
 LOG = LOGARITHMIC
 *LIN-TO-LIN NOT COMPATIBLE FOR WARM-DIM