

MONOPOINT

CM1 WALL MOUNT

90DEG WET RATED

Elegant design mounts seamlessly and invisibly to the wall. An inventive elbow built into the fixture body that features a full 90 degree tilt.

PROJECT NAME:	TYPE:
---------------	-------



ORDERING INFORMATION - MONOPOINT



JA8-2022 COMPLIANCE INDICATED BY SHADING

CYLINDER	LENGTH	FIXTURE	BODY FINISH	BAFFLE FINISH	STEM FINISH	CRI / WATTAGE PACKAGE	CCT	OPTIC (UGR)	DRIVER	MEDIA	MOUNTING
CM1	SL	F92									
CM1 2.60"	LENGTHS SL 1.4" Standard	FIXED ANGLE WET (IP65) F92 Fixed 90° Tilt	POWDERCOAT WH White BK Black AB Architectural Bronze AG Satin Silver AU Cashmere Gold BB Burnt Bronze CF Custom Finish* <i>*(Consult Factory)</i>	POWDERCOAT WH White BK Black AB Architectural Bronze AG Satin Silver AU Cashmere Gold BB Burnt Bronze CF Custom Finish* <i>*(Consult Factory)</i>	POWDERCOAT WH White BK Black AB Architectural Bronze AG Satin Silver AU Cashmere Gold BB Burnt Bronze CF Custom Finish* <i>*(Consult Factory)</i>	STATIC WHITE 80S11A 80+ CRI, 11 Watts lm Delivered - 1095 90S11A 90+ CRI, 11 Watts lm Delivered - 941 97S11A 97+ CRI, 11 Watts lm Delivered - 826	24 2400K* <i>*(90+ CRI only)</i> 27 2700K 30 3000K 35 3500K 40 4000K	15 15° (<13) 20 20° (<10) 25 25° (<10) 40 40° (<10) 60 60° (<13)	INTEGRAL CA3 0-10V, LIN 120V-277V CE3 Forward / Reverse Phase, 120V	STANDARD MEDIA 4 Soft Focus Lens* <i>*(Required for 10° optic)</i>	ROUGH-IN J JBMP 4" Sq. or 4/0 Junction Box Mounting Plate. Features 2.6" diameter canopy.* <i>*(Mounting plate must be installed on junction box prior to substrate installation)</i>
	STEM IS NOT FIELD CUTTABLE		ALUMINA INTERIOR APPLICATIONS ONLY 01 Brushed Obsidian 02 Matte Obsidian 03 Brushed Dark Patinated Bronze 04 Matte Dark Patinated Bronze 05 Brushed Aged Aluminum 06 Matte Aged Aluminum 07 Brushed Cast Brass 08 Matte Cast Brass 09 Brushed Light Patinated Bronze 10 Matte Light Patinated Bronze	ALUMINA CONSULT FACTORY FOR ALUMINA FINISHES	ALUMINA CONSULT FACTORY FOR ALUMINA FINISHES	REMOTE STATIC WHITE 80S17A 80+ CRI, 17 Watts lm Delivered - 1655 90S17A 90+ CRI, 17 Watts lm Delivered - 1422 97S17A 97+ CRI, 17 Watts lm Delivered - 1249	24 2400K* <i>*(90+ CRI only)</i> 27 2700K 30 3000K 35 3500K 40 4000K	10 10°* (>19) <i>*(17W package only)</i> 15 15° (<16) 20 20° (<10) 25 25° (<10) 40 40° (<10) 60 60° (<16)	REMOTE (120V) RE3 Forward / Reverse Phase, 120V	ALTERNATE MEDIA 3 Clear Glass Lens 5 Frosted Glass Lens 6 Frosted Soft Focus Lens 7 Frosted Linear Spread Lens S Soft Focus Lens w/ Honeycomb Louver F Frosted Glass Lens w/ Honeycomb Louver	FINISH OUT R Remodel 4.5" diameter Flange Overlay Canopy.* <i>*(Mounts to existing 4/0 junction box)</i>
						WARM DIM 90L11A 90+ CRI, 11 Watts Incandescent Profile lm Delivered - 920 Halogen Profile lm Delivered - 967	WL 2700K - 1800K WD 3000K - 1800K	15 15° (<13) 20 20° (<10) 25 25° (<10) 40 40° (<10) 60 60° (<13)			
						REMOTE WARM DIM 90L17A 90+ CRI, 17 Watts Incandescent Profile lm Delivered - 1227 Halogen Profile lm Delivered - 1291	WL 2700K - 1800K WD 3000K - 1800K	15 15° (<13) 20 20° (<10) 25 25° (<10) 40 40° (<10) 60 60° (<13)			
						SEE PAGE 4 FOR WARM DIM PROFILE COMPARISON					
						REMOTE TUNABLE WHITE 90T17A 90+ CRI, 17W Cool Profile: 5000K - 2700K lm Delivered - 888 Warm Profile: 4000K - 1800K lm Delivered - 896	TH 5000K - 2700K TR 4000K - 1800K	15 15° (<13) 20 20° (<10) 25 25° (<10) 40 40° (<10) 60 60° (<13)	TUNABLE WHITE POWER SUPPLIES (120-277V) DD2 eldoLED, DUALdrive DALI-2 DT8, 0.1% LOG DG1 eldoLED, DUALdrive 0-10V, 0.1%, LOG MX2 DMX, 0.1%, LOG AD1 Athena Control eldoLED, DUALdrive 0.1%*		
			ALUMINA NOT RECOMMENDED FOR EXTERIOR APPLICATIONS, FINISHES ARE NOT UV RATED						LOW VOLTAGE SYSTEM LVS Low Voltage System* <i>*(See page 9 for specification information)</i>		

PART NUMBER NOTES

- CM1 ships as e.g., CM1SLF92WHBK90S11*3040CA*4F
- Remote driver ships as e.g., PS-RMT-90S-11A-1RE*
- Mounting ships separate from fixture, part numbers listed on page 6.



MONOPOINT CM1 WALL MOUNT 90 DEG WET RATED

HUB AND BUD

CONFIGURATION - REQUIRED FOR 'HUB' AND 'BUD' DRIVER SPECIFICATION

ASSEMBLY	QTY	WATTAGE	REMOTE DRIVER
HUB Separate Remote Power Supply and Distribution Hub	2X 2 Fixtures 3X 3 Fixtures 4X 4 Fixtures 5X 5 Fixtures 6X 6 Fixtures	11W 11Watts 17W 17Watts	PH1 Forward/Reverse Phase, 2%, 120V SG5 eldoLED, ECOdrive 1%, 0-10V, LOG, 120V-277V EG1 eldoLED, SOLOdrive 0.1% 0-10V, LOG, 120V-277V ED1 eldoLED, SOLOdrive 0.1% DALI-2, LOG, 120V-277V AS1 Athena Control, eldoLED, SOLOdrive, 0.1%, 120V-277V* <small>*(Includes Athena Node. Extended lead time, consult factory)</small>
BUD Combined Remote Power Distribution			

COMPATIBILITY BY DRIVER TYPE AND QUANTITY

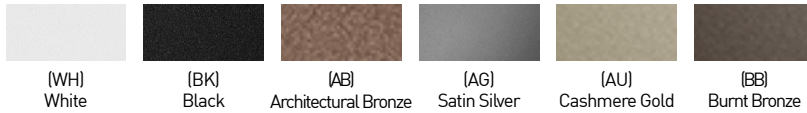
DRIVER	2 FIXTURES		3 FIXTURES		4 FIXTURES		5 FIXTURES		6 FIXTURES	
	11W	17W	11W	17W	11W	17W	11W	17W	11W	17W
PH1	✓	✓	✓	✓	✓		✓			
SG5	✓	✓	✓	✓	✓	✓	✓	✓	✓	
EG1/ED1	✓	✓	✓	✓	✓	✓	✓		✓	
AS1	✓	✓	✓	✓	✓	✓	✓		✓	

PART NUMBER NOTES

- HUB and BUD assemblies are ordered as separate line item from fixtures.

FINISHES

POWDERCOAT FINISHES



ALUMINA FINISHES BY LUCIFER LIGHTING™



ACCESSORIES

REPLACEMENT MEDIA

- HCL-CT1** Honeycomb Louver*
- CGL-CT1** Clear Glass Lens
- SFL-CT1** Soft Focus Lens
- FGL-CT1** Frosted Glass Lens
- FSFL-CT1** Frosted Soft Focus Lens
- FLSL-CT1** Frosted Linear Spread Lens

REPLACEMENT OPTICS

Interchangeable optics accessible by removing baffle.

Static White

- RO-50-15-S** 15° optic
- RO-50-20-S** 20° optic
- RO-50-25-S** 25° optic
- RO-50-40-S** 40° optic
- RO-50-60-S** 60° optic

Warm Dim

- RO-50-15-W** 15° optic
- RO-50-20-W** 20° optic
- RO-50-25-W** 25° optic
- RO-50-40-W** 40° optic
- RO-50-60-W** 60° optic

Tunable White

- RO-50-15-S** 15° optic
- RO-50-20-S** 20° optic
- RO-50-25-S** 25° optic
- RO-50-40-S** 40° optic
- RO-50-60-S** 60° optic

EMERGENCY LIGHTING - REMOTE MOUNT ONLY

- EMB-S-25-120/277-LEDX** 25 watt max capacity, 120 or 277 VAC 60Hz
- EMB-S-100-120-LEDX** 100 watt max capacity, 120 VAC 60Hz, 0-10V dimmable
- EMB-S-100-277-LEDX** 100 watt max capacity, 277 VAC 60Hz, 0-10V dimmable
- EMB-S-250-120/277-LEDX** 250 watt max capacity, 120 or 277 VAC 60Hz

During disruption of main power, emergency battery inverter provides temporary 120V or 277V to fixture.

NOTE: CONSULT FACTORY FOR USE WITH WIRELESS CONTROLS.

MONOPOINT CM1 WALL MOUNT 90 DEG WET RATED

ACCESSORIES

REPLACEMENT BAFFLE ASSEMBLY (INCLUDES MEDIA)

ASSEMBLY	SHAPE	RATING	FINISH	MEDIA
RBA	CM1			
REPLACEMENT BAFFLE ASSEMBLY	CM1 2.60"	1 IP20 Dry/Damp 2 IP65 Wet* *(Requires provided suction cup to service)	WH White BK Black AB Architectural Bronze AG Satin Silver AU Cashmere Gold BB Burnt Bronze PR Primer CF Custom Finish * *(Consult Factory)	LEAVE BLANK FOR SOFT FOCUS LENS (SFL) HCL Honeycomb Louver* *(Not available for Wet Location) CGL Clear Glass Lens FGL Frosted Glass Lens FSFL Frosted Soft Focus Lens FLSL Frosted Linear Spread Lens NL No Lens * *(Not available for Wet Location)

PERFORMANCE - 3000K

LUMEN PACKAGE	WATTAGE	10° OPTIC FIELD REDUCER		15° OPTIC SOFT FOCUS LENS		20° OPTIC SOFT FOCUS LENS		25° OPTIC SOFT FOCUS LENS		40° OPTIC SOFT FOCUS LENS		60° OPTIC SOFT FOCUS LENS	
		DELIVERED	LPW	DELIVERED	LPW	DELIVERED	LPW	DELIVERED	LPW	DELIVERED	LPW	DELIVERED	LPW
80S11A	11	454	41	991	90	1093	99	1095	100	1019	93	1145	104
80S17A	17	619	36	1435	84	1701	100	1655	97	1513	89	1640	96
90S11A	11	391	35	851	86	939	95	941	96	875	89	984	100
90S17A	17	532	31	1233	76	1461	90	1422	87	1300	80	1409	86
97S11A	11	337	30	747	68	824	75	826	75	768	70	864	79
97S17A	17	460	27	1083	64	1283	75	1249	73	1141	67	1237	73
90L11A (2700K-1800K)	11	-	-	830	75	945	86	920	84	851	77	918	83
90L11A (3000K-1800K)	11	-	-	872	79	993	90	967	88	895	81	964	88
90L17A (2700K-1800K)	17	-	-	1107	65	1261	74	1227	72	1135	67	1223	72
90L17A (3000K-1800K)	17	-	-	1164	68	1326	78	1291	76	1194	70	1287	76
90T17A (4000K-1800K)	17	-	-	798	47	917	54	896	53	811	48	910	54
90T17A (5000K-2700K)	17	-	-	791	47	909	53	888	52	803	47	902	53

JA8-2022 INDICATED BY SHADING

UNIFIED GLARE RATING

10° OPTIC FIELD REDUCER	15° OPTIC SOFT FOCUS LENS	20° OPTIC SOFT FOCUS LENS	25° OPTIC SOFT FOCUS LENS	40° OPTIC SOFT FOCUS LENS	60° OPTIC SOFT FOCUS LENS
>19	<16	<10	<10	<10	<16

MEDIA LIGHT LOSS MULTIPLIER

MEDIA	LIGHT LOSS FACTOR
No Lens	1.05
CGL	1.00
SFL	1.00
FGL	0.85
FSFL	0.82
FLSL	0.78
HCL	0.75
SFL W/ HCL	0.68
FGL W/ HCL	0.47

OUTPUT MULTIPLIER

CCT	CCT SCALE
2400K	0.85
2700K	0.97
3000K	1.000
3500K	1.03
4000K	1.08

TUNABLE WHITE MULTIPLIER

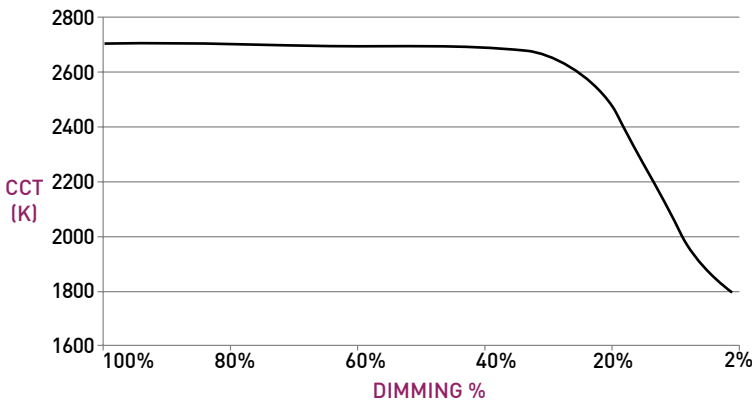
CCT	5000K-2700K	4000K-1800K
5000K	1.16	-
4000K	1.08	1.14
3500K	1.04	1.07
3000K	1.00	1.00
2700K	0.96	0.92
2400K	-	0.84
1800K	-	0.69

MONOPOINT CM1 WALL MOUNT 90 DEG WET RATED

WARM DIM PERFORMANCE - SOFT FOCUS LENS - 25° OPTIC

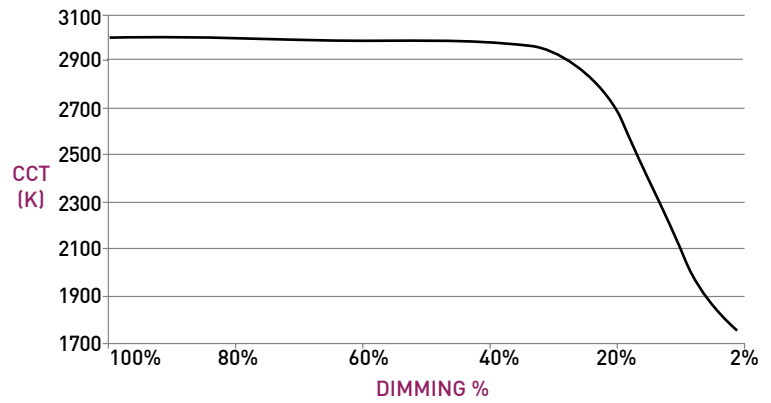
INCANDESCENT PROFILE

90L11AWL 2700K - 1800K	Full on 100%	Dimmed to 80%	Dimmed to 70%	Dimmed to 50%	Dimmed to 20%	Dimmed to 10%	Dimmed to 2%
CCT (K)	2700	2700	2700	2600	2200	1900	1800
Light Output (Lm)	920	736	644	460	184	92	18
Power (W)	11	8.8	7.7	5.5	2.2	1.1	0.2
Efficacy (LPW)	84	84	84	84	84	84	84
90L17AWL 2700K - 1800K	Full on 100%	Dimmed to 80%	Dimmed to 70%	Dimmed to 50%	Dimmed to 20%	Dimmed to 10%	Dimmed to 2%
CCT (K)	2700K	2700K	2700K	2700K	2500K	1950K	1800K
Light Output (Lm)	1227	982	859	614	245	123	25
Power (W)	22	17.6	15.4	11	4.4	2.2	0.4
Efficacy (LPW)	72	72	72	72	72	72	72



HALOGEN PROFILE

90L11AWD 3000K - 1800K	Full on 100%	Dimmed to 80%	Dimmed to 70%	Dimmed to 50%	Dimmed to 20%	Dimmed to 10%	Dimmed to 2%
CCT (K)	3000	3000	3000	3000	2500	1900	1800
Light Output (Lm)	967	774	677	484	193	97	19
Power (W)	11	8.8	7.7	5.5	2.2	1.1	0.2
Efficacy (LPW)	88	88	88	88	88	88	88
90L17AWD 3000K - 1800K	Full on 100%	Dimmed to 80%	Dimmed to 70%	Dimmed to 50%	Dimmed to 20%	Dimmed to 10%	Dimmed to 2%
CCT (K)	3000K	3000K	3000K	3000K	3000K	2150K	1800K
Light Output (Lm)	1291	1033	904	646	258	129	26
Power (W)	22	17.6	15.4	11	4.4	2.2	0.4
Efficacy (LPW)	76	76	76	76	76	76	76



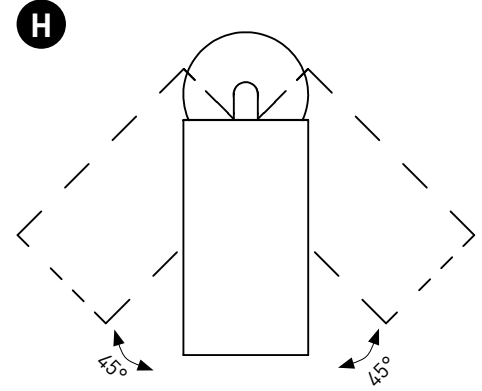
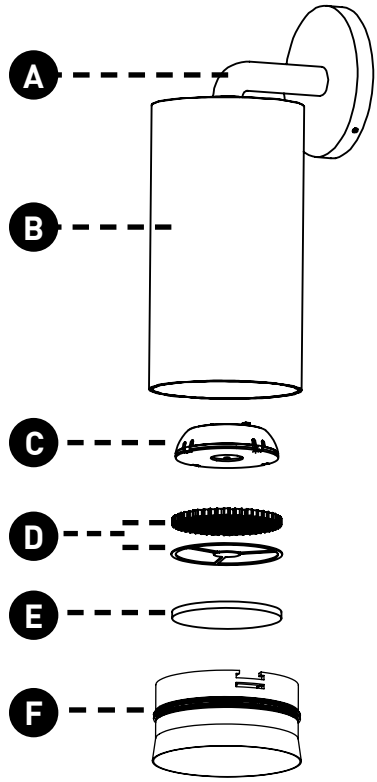
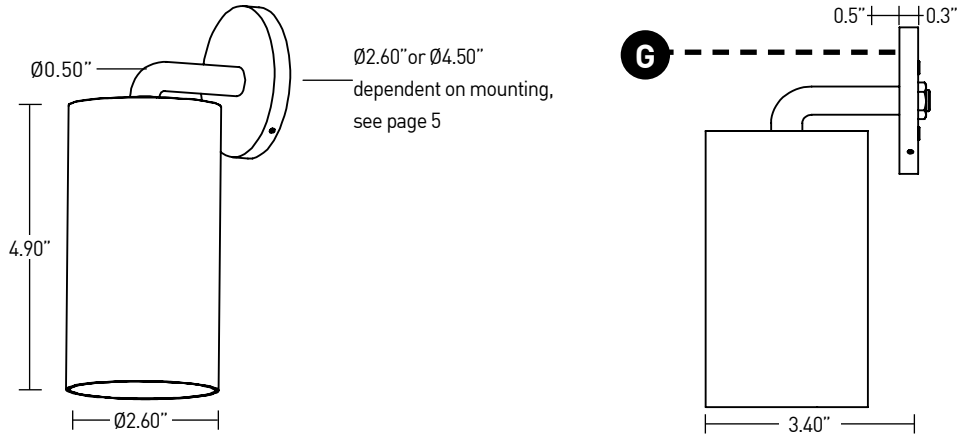
NOTE: LIN-TO-LIN 0-10V PAIRING NOT COMPATIBLE WITH WARM DIM.

MONOPOINT CM1 WALL MOUNT 90 DEG WET RATED

MONOPOINT

- A STEM**
Standard length is 1.4". Stem is not field cuttable. Powdercoat finishes standard, consult factory for Alumina finishes.
- B BODY**
Available in powdercoat finishes and Alumina finishes (interior applications only). Power supply integrated into fixture body.
- C OPTICS**
Robust light engine with optimized optic pairing integrates Reflection, Refraction, and TIR offering 10°, 15°, 20°, 25°, 40° & 60° beams.
- D 10° FIELD REDUCER**
Soft Focus Lens, Honeycomb Louver, and Field Reducer provided with 10° optic. Reduces field angle by 30%.
- E MEDIA**
Soft Focus Lens standard. Wet location media sealed in place.
- F BAFFLE**
Accepts 2 media devices. Baffle minimizes aperture glare and conceals view into fixture. Powdercoat finishes standard, consult factory for Alumina finishes.
- G CANOPY**
Features 0.3" deep canopy and mounting screws.
- H FIXED FIXTURE**
Available with pre-set tilt of 90° and can be aimed up to 45° off vertical. Wet rated, may be used in Dry / Damp locations.

DIMENSIONS / DRAWINGS



MONOPOINT CM1 WALL MOUNT 90 DEG WET RATED

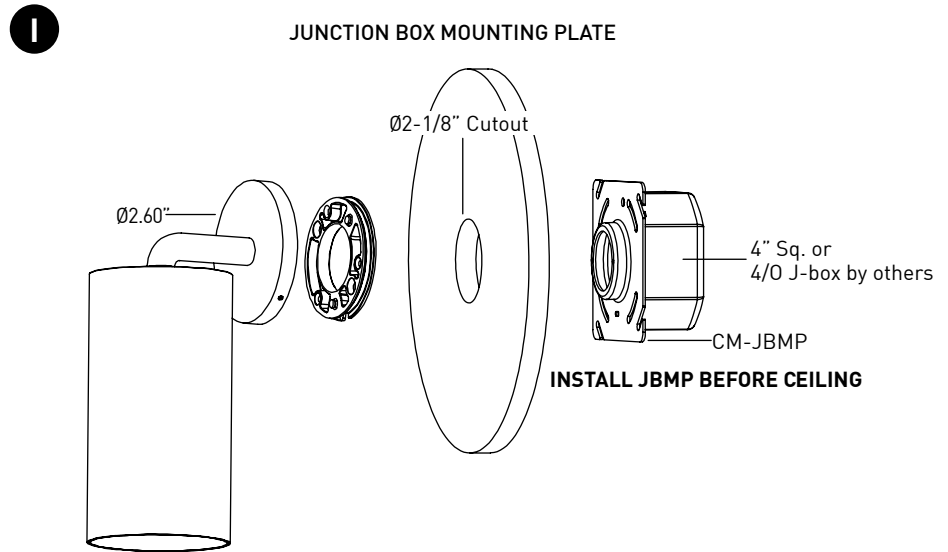
MOUNTING

I JUNCTION BOX MOUNTING PLATE
Mounting plate (concealed) for standard 4" square or 4" 4/0 j-box. To be installed during rough-in, prior to substrate, for ceiling thicknesses up to 0.75". Fixture to mount flush with minimalist transition to ceiling.

Part Number - CM1WM-JBMP.

J REMODEL / FLANGE OVERLAY
Provided with oversized canopy and mounting plate for standard 4" 4/0 junction boxes. Ideal for existing applications and features oversized 4.5" canopy to cover standard 4" octagon box cutout.

DIMENSIONS / DRAWINGS



REMOTE POWER SUPPLY

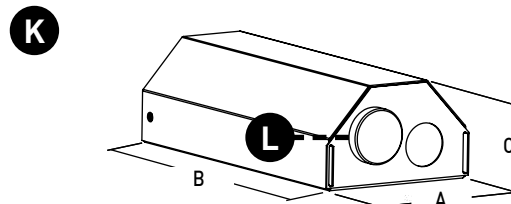
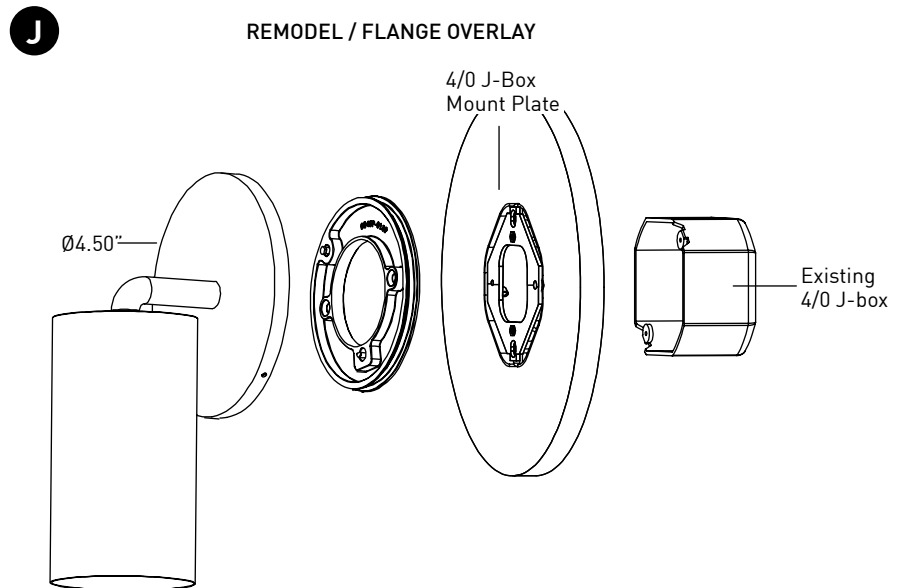
K Remote power supply provides additional driver options. See page 10 for maximum allowable wiring distance. Must be installed in an accessible location.

Note: Not included with fixtures designated as LVS.

L ATHENA / CASAMBI CONTROL
Controls integrated into remote driver assembly. All equipment is serviceable.

Athena Model Numbers: A-WN-D01-RF-BL & DFC-OEM-DBI

Casambi Model Number: BT-S1E1-5400



POWER SUPPLY DIMENSIONS			
Model	A	B	C
ALL OTHER DRIVERS	3.35"	6.94"	2.00"
AD1, DD2, DG1	5.00"	8.10"	2.00"

MONOPOINT CM1 WALL MOUNT 90 DEG WET RATED

DISTRIBUTED POWER ACCESSORY

DIMENSIONS / DRAWINGS

M HUB (SEPARATE COMPONENTS)

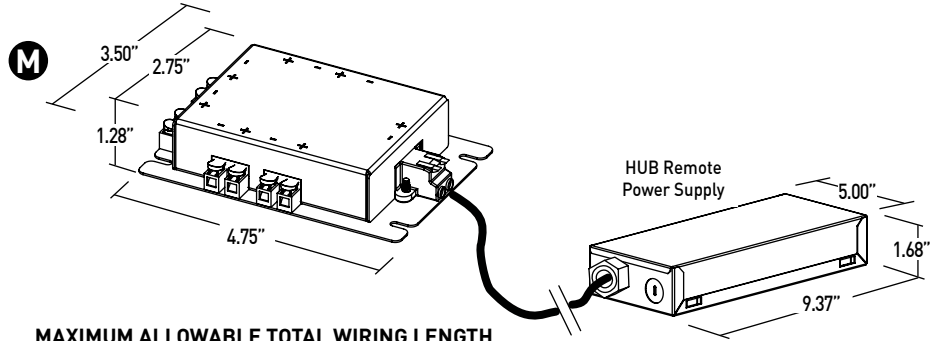
Included with "HUB" driver selection. Allows for multi-fixture power distribution from one remote power supply to a maximum of 6 fixtures. Connectable fixture quantity is specified in fixture part number on page 2. HUB base plate allows for structural mounting and wiring during rough-in. Wiring distances for HUB based on quantity featured in figure K.

Model Number e.g.: HUB2X15W-PH1

N BUD (COMBINED ASSEMBLY)

Included with "BUD" driver selection. Allows for multi-fixture power distribution from combined remote power distribution assembly to a maximum of 6 fixtures. Connectable fixture quantity is specified in fixture part number on page 2. BUD base plate allows for structural mounting and wiring during rough-in. Wiring distances for BUD based on quantity featured in figure J.

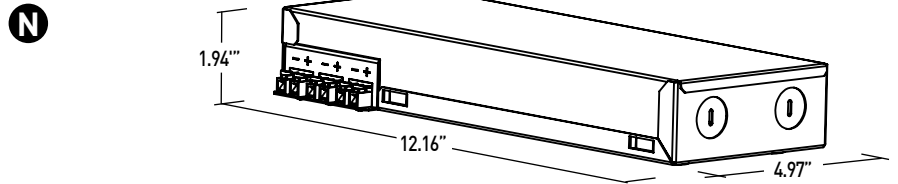
Model Number e.g.: BUD4X11W-SG5



MAXIMUM ALLOWABLE TOTAL WIRING LENGTH

DRIVER-TO-HUB AWG	HUB-TO-FIXTURE AWG	TOTAL LENGTH
18	18	150'
16	16	200'
14	14	250'
12	18	400'*
12	16	450'*
12	14	500'*

*Total length requires 250' 12AWG Driver-to-Hub wiring

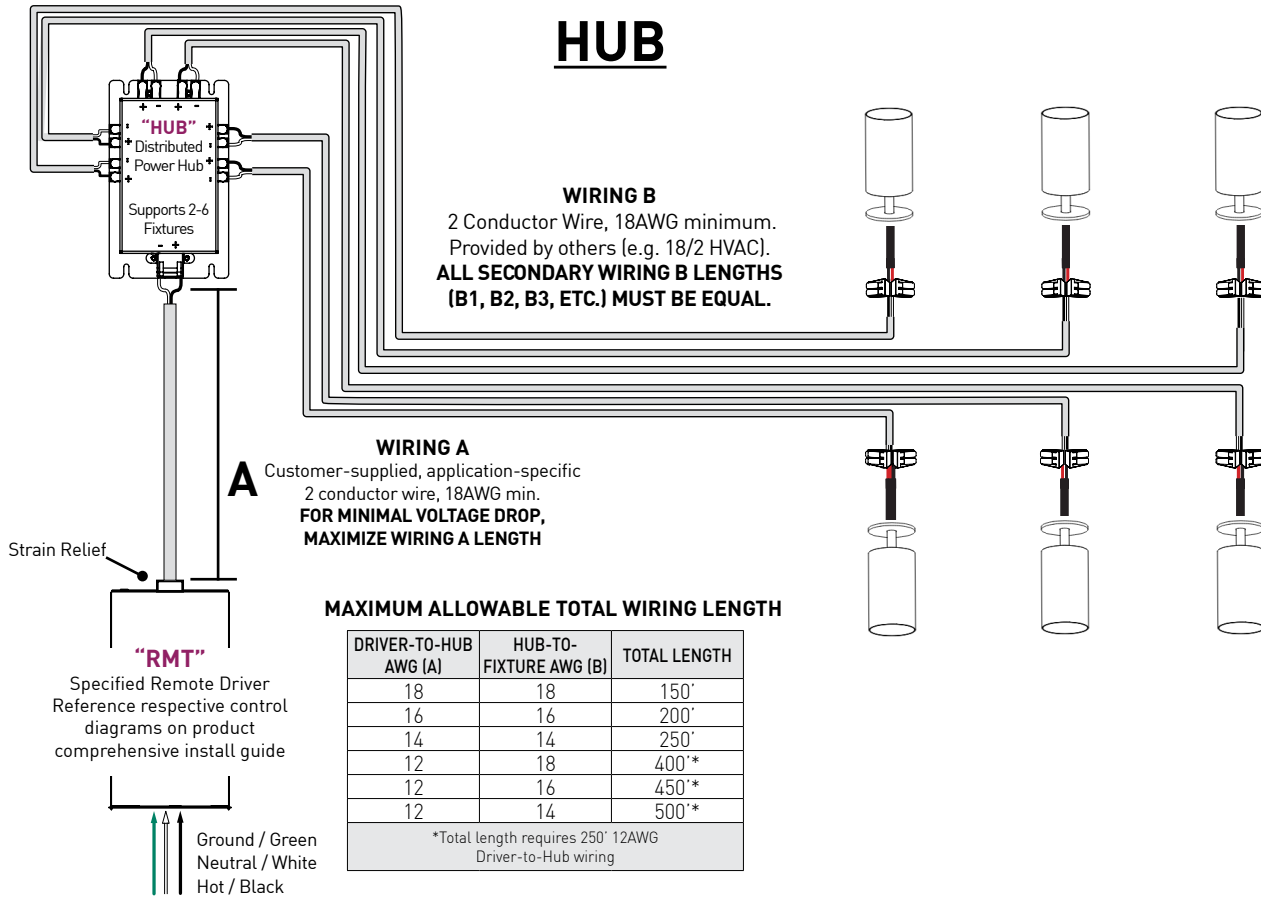


MAXIMUM ALLOWABLE TOTAL WIRING LENGTH

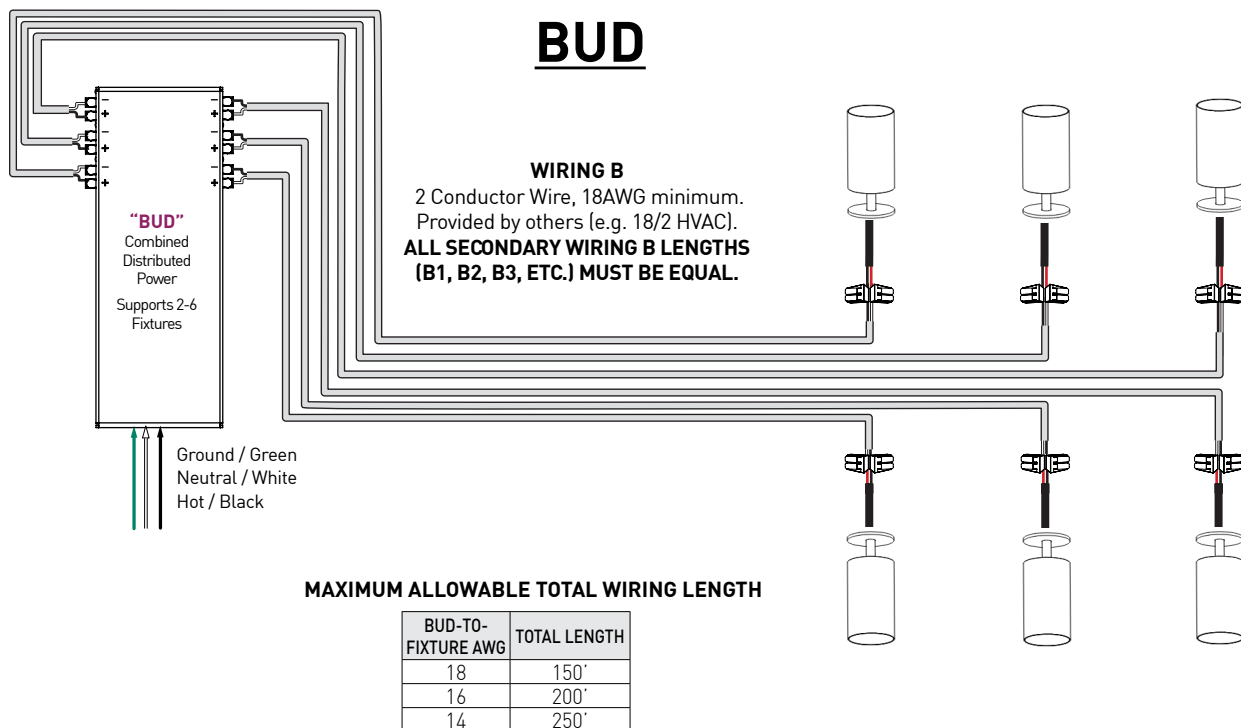
BUD-TO-FIXTURE AWG	TOTAL LENGTH
18	150'
16	200'
14	250'

MONOPOINT CM1 WALL MOUNT 90 DEG WET RATED

HUB WIRING DETAILS



HUB WIRING DETAILS



MONOPOINT CM1 WALL MOUNT 90 DEG WET RATED

LOW VOLTAGE SYSTEM (LVS) SPECIFICATION NOTES

- Customers are responsible for ensuring power supply drive current is set to correct values shown below in the drive current specifics section.
- Customers must ensure voltage range of the proposed power supply encompasses the fixtures complete Vf range, both maximum and minimum, and can be set to the required mA drive current. If assistance is required contact your manufacturers representative or the factory.
- Lucifer Lighting is not responsible for confirming dimming compatability between power supplies and control systems / dimmers.
- Lucifer Lighting will not ship fixtures with a power supply supplied by others inside the fixture.
- Consult power supply manufacturer for maximum remote wiring distances.
- Housing and Fixture feature 18 AWG wiring.
- Wiring connections are made in the splicing compartment using customer supplied connectors, ex. wire nuts, push-in connectors, or terminal blocks.
- LVS Housings and Fixtures supplied by Lucifer Lighing are UL 2108 Listed.

DRIVE CURRENT SPECIFICS

	80S / 90S / 97S		90L		90T
	11A	17A	11A	17A	17A
Minimum Vf	31	31	31	31	31
Maximum Vf	36	36	37	37	37
Current mA	250	400	250	400	400
Wattage W	8.4	13.5	8.4	13.4	13.2

MONOPOINT CM1 WALL MOUNT 90 DEG WET RATED

TECHNICAL

CONSTRUCTION

Monopoint: Machined aluminum body; painted finishes are granulated powder coat; Alumina finishes are anodized aluminum.

Remote Power Supply: 22 Gauge galvanized steel.

Appliqué: Machined Aluminum

STATIC WHITE LED

2-step MacAdam ellipse LED module available in 80+, 90+ and 97+ CRI configurations in color temperatures of 2700K, 3000K, 3500K and 4000K. 3-step MacAdam ellipse LED module available in 90+ CRI configurations in color temperature of 2400K. Average rated lamp life of 50,000 hours.

WARM DIM LED

3-step MacAdam ellipse warm dim LED module available in 90+ CRI configuration. 3000K or 2700K at full brightness, warming to 1800K at full dim. Average rated lamp life of 50,000 hours.

TUNABLE WHITE LED

3-step MacAdam ellipse tunable white LED module available in 90+ CRI configuration. Features tuning ranges of 1800K to 4000K and 2700K to 5000K. Average rated lamp life of 50,000 hours.

POWER SUPPLY PERFORMANCE AND DIMMING INFORMATION

Power Supply	PHASE	ECO			0-10V				DALI-2		DMX		ATHENA	
	CE3/RE3	LH1	LP1	CA3/RA3	SG3	EG1	DG1	ED1	DD2	LX1	MX2	AS1	AD1	
Minimum °C	-20 °C	0 °C	0 °C	-20 °C	-20 °C	-20 °C	-20 °C	-20 °C	-20 °C	-20 °C	-40 °C	-20 °C	-20 °C	
Maximum °C	40 °C	40 °C	40 °C	40 °C	40 °C	40 °C	40 °C	40 °C	40 °C	40 °C	40 °C	40 °C	40 °C	
Dimming %	2.0%	1.0%	0.1%	2.0%	1.0%	0.1%	0.1%	0.1%	0.1%	0.1%	0.1%	0.1%	0.1%	

Note: For LH1, LP1, SG3, and EG1 drivers consult chart on page 11 to confirm appropriate dimming curve for compatibility with selected control.

MAXIMUM ALLOWABLE REMOTE DRIVER WIRING DISTANCES

DRIVER	WIRE AWG				
	12	14	16	18	20
RA3, RE3	-	164'	105'	66'	40'
LH1, LP1	60'	40'	25'	15'	-
EG1, SG3, ED1, DG1, DD2, AS1, AD1, LX1	-	-	118'	72'	46'

LISTING

cTUVus listed to UL1598 standard for Dry / Damp and IP65 Wet locations.

LVS designated fixtures are listed to UL 2108.

Title 24 JA8-2022 Listed.

NEMA 410 Compliant.

DECLARE

LBC Red List Approved.

BUY AMERICAN ACT / BUILD AMERICA BUT AMERICA

Buy American Act (BAA) and Build America Buy America (BABA) compliant.

LIMITED WARRANTY

Manufacturer's Limited Warranty guarantees product(s) listed to be free from defects in material and workmanship under normal use and service for 1-year. LED and power supplies are warranted to operate with 70% of original flux and remain within a range of 3 duv for a period of 5-years.

10-year Lutron Advantage limited warranty available on Lutron equipped systems. Warranty period begins from the date of shipment by Seller.

[Consult website for full warranty terms and conditions.](#)

CHANGE LOG

- 03/18/2024: UPDATED 10 DEGREE NARROW BEAM TO UTILIZE FILED REDUCER.
- 07/15/2024: REMOVED L2 DRIVER OFFERING.
- 09/19/2024: UPDATED WITH NEW BAFFLE DESIGN.
- 05/07/2025: UPDATED WARM DIM OFFERING.
- 09/23/2025: DISCONTINUED EM SHUNT OFFERINGS.
- 01/02/2026: ADDED LVS OFFERING.
- 03/16/2026: ADDED HUB & BUD POWER SUPPLY
- 06/26/2026: ADDED DMX OFFERINGS.
- 06/26/2026: DISCONTINUED 0-10V LINEAR AND CASAMBI OFFERINGS.



MONOPOINT CM1 WALL MOUNT 90 DEG WET RATED

DIMMING COMPATABILITY

LUTRON DRIVER COMPATIBILITY

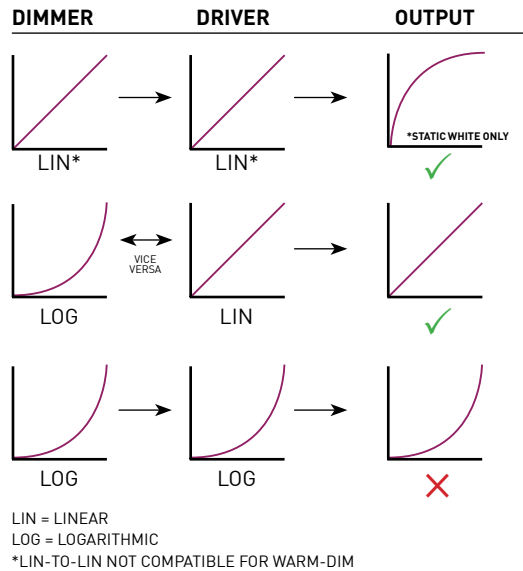
LH1 / LP1 Lutron Product Family	Part No.
PowPak Dimming Modules	RMJ-ECO32-DV-B
PowPak Dimming Modules	FCJ/FCJS-ECO
Energi Savr Nodes	QSN-1ECO-S
GRAFIK Eye QS control unit Homeworks QS control unit	QSN-2ECO-S
GRAFIK Eye QS control unit Homeworks QS control unit	QSGRJ-_E (wireless) QSGR-_E
Quantum Hub	QP2-__2C
Quantum Hub	QP2-__4C
Quantum Hub	QP2-__6C
Quantum Hub	QP2-__8C
Homeworks QS power module myRoom Plus power module	LQSE-2ECO-D



eldoLED DRIVER COMPATIBILITY

SG3, EG1 Manufacturer	Family/Model #
Busch-Jaeger	2112U-101
Jung	240-10
Leviton Lighting Controls	IP710-DLX
Lightolier Controls	ZP600FAM120
Merten	5729
Pass & Seymour	CD4FB-W
The Watt Stopper	DCLV1
Synergy	ISD BC
Crestron®	GLX-DIMFLV8
Crestron®	GLXP-DIMFLV8
Crestron®	GLPAC-DIMFLV4-*
Crestron®	GLPAC-DIMFLV8-*
Crestron®	GLPP-DIMFLVEX-PM
Crestron®	GLPP-1DIMFLV2EX-PM
Crestron®	GLPP-1DIMFLV3EX-PM
Crestron®	DIN-A08
Crestron®	DIN-4DIMFLV4
Crestron®	CLS-EXP-DIMFLV
Crestron®	CLCI-1DIMFLV2EX

ANALOG DRIVERS AND DIMMERS



DMX DIMMING INFORMATION

- Fixtures do not ship pre-addressed; fixture addressing is completed by the installer or a commissioning contractor via RDM.
- All fixtures are RDM compatible.
- DMX Channel Count:
Static White / Warm Dim: 1
Tunable White: 2; Channel 1 Warm and Channel 2 Cool
- DMX run termination provided by others.
- DMX Connection Type: Pigtail
- DMX Color Scheme:
DMX+: Yellow
DMX-: Pink
DMX Shield: Orange
- Installation may require shielded cable if EMI is present.
- Fixture Default Mode: FULL ON
- Fixture Fail Mode: ON 10% DIMMED