

## RECESSED PENDANT

Organic shape and minimalist form conceals the mechanics of this high-performance luminaire, offering both volumetric and directional lighting with two light sources and infinite control options of multi-layered illumination.

PROJECT NAME:	TYPE:
---------------	-------

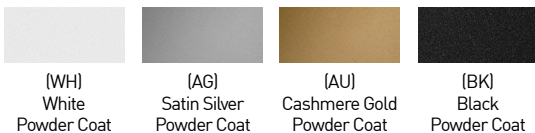


### ORDERING INFORMATION



JA8-2022 INDICATED BY SHADING

SERIES	CANOPY TYPE	BODY COLOR	CANOPY COLOR	CABLE COLOR	DOWNLIGHT LUMEN PACKAGE	WAVEGUIDE LUMEN PACKAGE	OPTIC (UGR)	MEDIA	DRIVER	INSTALL TYPE	
<b>S2</b>											
S2 STELLR Medium 10.2"	<b>FLANGE OVERLAY</b> F096 8' Cable F192 16' Cable  <b>ZERO SIGHTLINE</b> T096 8' Cable T192 16' Cable	<b>WH</b> White <b>AG</b> Satin Silver <b>AU</b> Cashmere Gold <b>BK</b> Black <b>CF</b> Custom Finish* *(Consult Factory)	<b>WH</b> White <b>AG</b> Satin Silver <b>AU</b> Cashmere Gold <b>BK</b> Black <b>CF</b> Custom Finish* *(Consult Factory)	<b>W</b> White Power Cable  <b>B</b> Black Power Cable	<b>STATIC WHITE</b>  <b>8027</b> 80+ CRI, 2700K Lm. Delivered - 1799  <b>8030</b> 80+ CRI, 3000K Lm. Delivered - 1855  <b>8035</b> 80+ CRI, 3500K Lm. Delivered - 1910  <b>8040</b> 80+ CRI, 4000K Lm. Delivered - 2003  <b>9027</b> 90+ CRI, 2700K Lm. Delivered - 1546  <b>9030</b> 90+ CRI, 3000K Lm. Delivered - 1594  <b>9035</b> 90+ CRI, 3500K Lm. Delivered - 1641  <b>9040</b> 90+ CRI, 4000K Lm. Delivered - 1721	<b>STATIC WHITE</b>  <b>8027</b> 80+ CRI, 2700K Lm. Delivered - 728  <b>8030</b> 80+ CRI, 3000K Lm. Delivered - 794  <b>8035</b> 80+ CRI, 3500K Lm. Delivered - 794  <b>8040</b> 80+ CRI, 4000K Lm. Delivered - 825  <b>9027</b> 90+ CRI, 2700K Lm. Delivered - 656  <b>9030</b> 90+ CRI, 3000K Lm. Delivered - 715  <b>9035</b> 90+ CRI, 3500K Lm. Delivered - 715  <b>9040</b> 90+ CRI, 4000K Lm. Delivered - 744	<b>15</b> 15° (<10) <b>35</b> 35° (<10) <b>55</b> 55° (<10)	<b>STANDARD MEDIA</b> <b>0</b> No Lens  <b>OPTIONAL MEDIA</b> <b>2</b> Honeycomb Louver <b>3</b> Clear Glass Lens <b>4</b> Soft Focus Lens	<b>PH</b> ELV/TRIAC, 1% 120V* *(Sources dim independently, requires independent line voltage)  <b>SG</b> 0-10V Analog, 120 or 277V LOG* *(Sources dim independently, requires independent line voltage)  <b>SN</b> 0-10V Analog, 120 or 277V LIN* *(Sources dim independently, requires independent line voltage)  <b>TR</b> ELV/TRIAC, 2% 120V* *(Sources dim independently, requires independent line voltage)  <b>L2</b> Lutron, Hi-Lume 1% 2-wire* *(Sources dim independently, requires independent line voltage)  <b>LP</b> Lutron, Hi-Lume Premier Ecosystem 0.1% Fade to Black, 120 or 277V* *(Sources dim independently, requires independent line voltage)	<b>EG</b> eldoLED, SOLDrive 0.1% 0-10V, 120-277V, LOG* *(Sources dim together)  <b>EN</b> eldoLED, SOLDrive 0.1% 0-10V, 120-277V, LIN* *(Sources dim together)  <b>DD</b> eldoLED, DUALdrive 0.1% DALI, 120-277V, LOG* *(Sources dim independently)  <b>AS1/ASR</b> Athena Control eldoLED, SOLDrive 0.1% 120-277V* *(Includes Athena Node. Extended lead time, consult factory. ASR includes shunt)  <b>CS1/CSR</b> Casambi Control eldoLED, SOLDrive 0.1% 120-277V* *(Includes Casambi Node. Extended lead time, consult factory. CSR includes shunt)	<b>0.50" - 2.25" CEILING THICKNESS</b>  <b>X</b> IC, Airtight* *(Chicago Plenum, Airtight & Title 24 compliant housing)  <b>Y</b> NIC  <b>R</b> Remote / Remodel
							<b>WARM DIM HALOGEN PROFILE</b> <b>90WD</b> 90+ CRI, 3000K - 1800K Lm. Delivered - 1039* *(Not available with PH or TR Driver)	<b>WARM DIM HALOGEN PROFILE</b> <b>90WD</b> 90+ CRI, 3000K - 1800K Lm. Delivered - 765* *(Not available with PH or TR Driver)			
							* DELIVERED LUMEN VALUES REFLECT USE OF THE 55 DEGREE OPTIC AND NO LENS				



### PART NUMBER NOTES

- STELLR ships as e.g., S2F096-WHBKB-9MS28MS2-352-DD\*X
- Remote driver(s) ship as e.g., PS-S2-RMT-9MSX8MSX-LP\*
- Housing ships as e.g., NC-S2F-2I

# STELLR RECESSED PENDANT

## ACCESSORIES

### ALTERNATE EFFECTS DEVICES

- HCL-S2-01** Honeycomb Louver
- CGL-S2-01** Clear Glass Lens
- SFL-S2-01** Soft Focus Lens

### REPLACEMENT OPTIC ASSEMBLIES

- RO-S2-15** 15° optic
- RO-S2-35** 35° optic
- RO-S2-55** 55° optic

### EMERGENCY LIGHTING - REMOTE MOUNT ONLY

- EMB-S-25-120/277-LEDX** 25 watt max capacity, 120 or 277 VAC 60Hz, Non-Dimmable
  - EMB-S-100-120-LEDX** 100 watt max capacity, 120 VAC 60Hz, 0-10V Dimmable
  - EMB-S-100-277-LEDX** 100 watt max capacity, 277 VAC 60Hz, 0-10V Dimmable
  - EMB-S-250-120/277-LEDX** 250 watt max capacity, 120 or 277 VAC 60Hz, 0-10V Dimmable
- During disruption of main power, emergency battery inverter provides temporary 120V or 277V to fixture.

### T-GRID ACCESSORY

- DHA-TG-KIT** Allows housing to be raised or lowered to accommodate varying T-grid heights.

## DOWNLIGHT PERFORMANCE - 3000K

LUMEN PACKAGE	WATTAGE	15° OPTIC / NO LENS		35° OPTIC / NO LENS		55° OPTIC / NO LENS		15° OPTIC / HCL		35° OPTIC / HCL		55° OPTIC / HCL	
		DELIVERED	LPW	DELIVERED	LPW	DELIVERED	LPW	DELIVERED	LPW	DELIVERED	LPW	DELIVERED	LPW
8030	17	1743	97	1769	98	1855	103	1255	70	1123	62	1081	60
9030	17	1502	83	1520	84	1594	89	1078	60	965	54	929	52
90WD	14	994	70	1012	72	1039	74	713	47	642	42	606	40

### STATIC WHITE OUTPUT MULTIPLIER

CCT	CCT SCALE
2700K	0.97
3000K	1.00
3500K	1.03
4000K	1.08

### MEDIA LIGHT LOSS FACTOR

MEDIA	LIGHT LOSS FACTOR
No Lens	1.00
CGL	0.93
SFL	0.93
HCL	0.65

### UNIFIED GLARE RATING

15° OPTIC	35° OPTIC	55° OPTIC
<10	<10	<10

## WAVEGUIDE PERFORMANCE

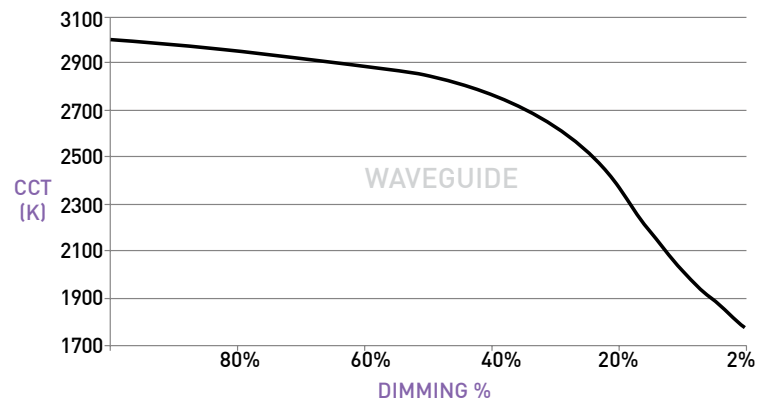
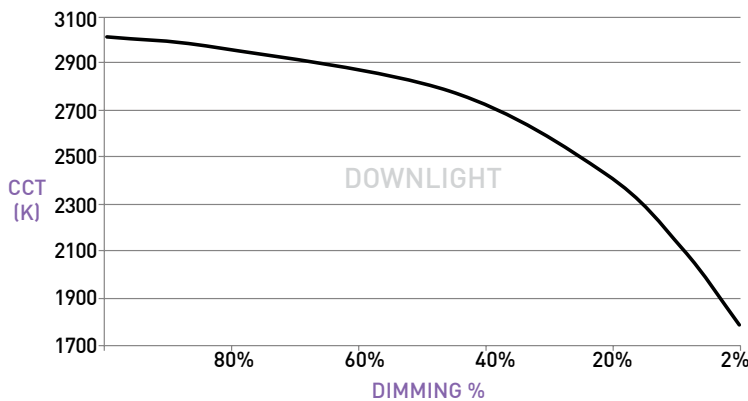
LUMEN PACKAGE	WATTAGE	2700K		3000K		3500K		4000K	
		DELIVERED	LPW	DELIVERED	LPW	DELIVERED	LPW	DELIVERED	LPW
80	14	728	53	794	58	794	58	825	64
90	14	656	48	715	52	715	52	744	54
90WD	14	-	-	765	54	-	-	-	-

## WARM DIM PERFORMANCE

### HALOGEN PROFILE

DOWNLIGHT - 55° OPTIC / NO LENS	Full on 100%	Dimmed to 80%	Dimmed to 70%	Dimmed to 50%	Dimmed to 20%	Dimmed to 10%	Dimmed to 2%
CCT (K)	3000	2950	2920	2775	2375	2000	1800
Light Output (Lm)	1039	831	727	519	207	103	20
Power (W)	14	11	10	7	3	1.4	0.3
Efficacy (LPW)	74	74	74	74	74	74	74

WAVEGUIDE	Full on 100%	Dimmed to 80%	Dimmed to 70%	Dimmed to 50%	Dimmed to 20%	Dimmed to 10%	Dimmed to 2%
CCT (K)	3000	2950	2920	2850	2375	2000	1800
Light Output (Lm)	765	612	535	382	153	76	15
Power (W)	14	13	12	9	3	1.7	0.3
Efficacy (LPW)	54	54	54	54	54	54	54



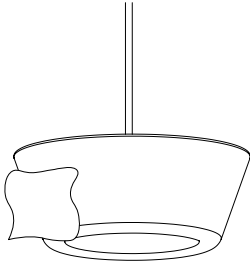
# STELLR RECESSED PENDANT

## FIXTURE / HOUSING

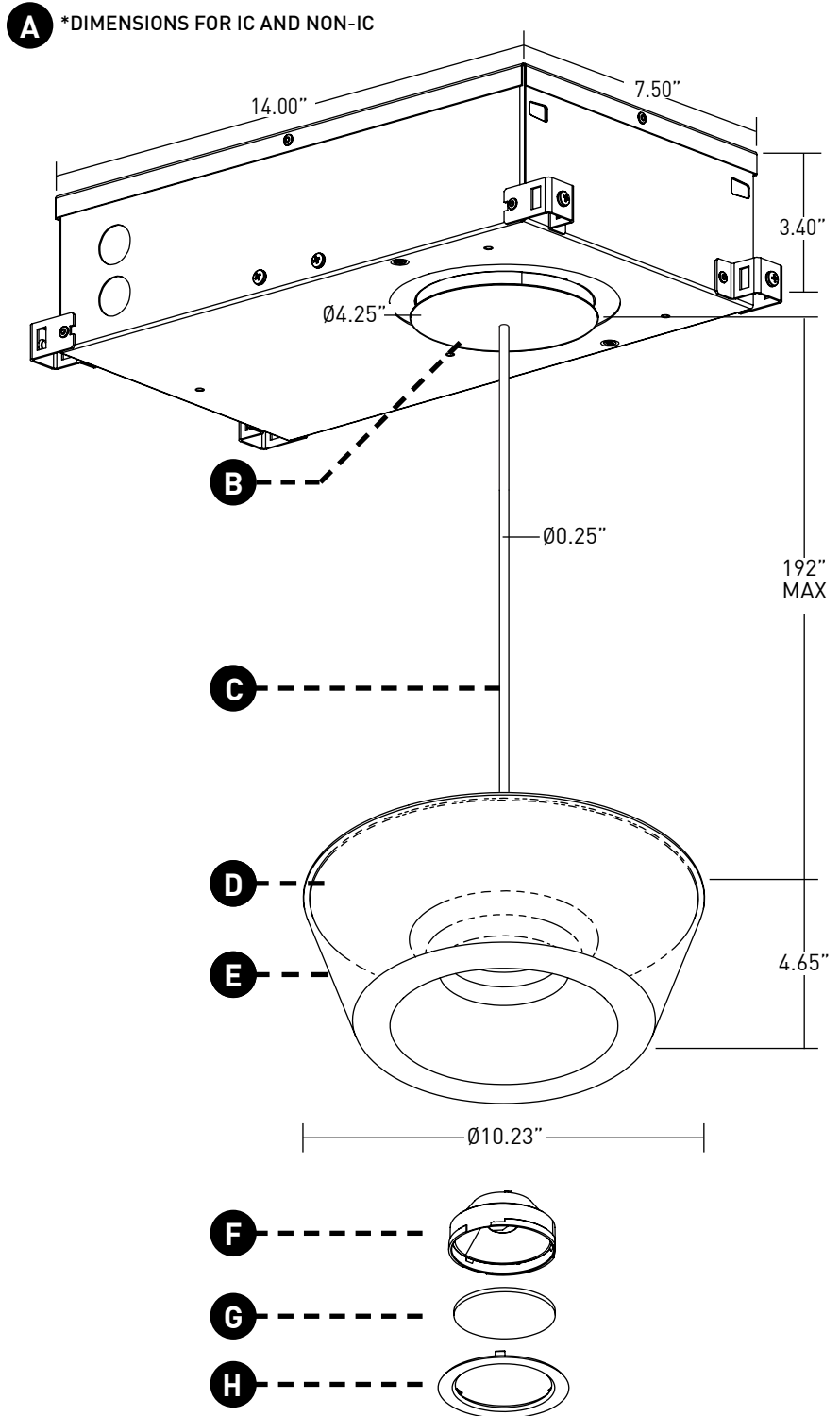
- A** **FIXTURE / HOUSING**  
Body with integrated heat sink and LED assemblies. Power supplies may be integral or remote mount.
- B** **MAGNETIC TRIM PLATE (CANOPY)**  
Conceals retaining mechanism. Rare Earth magnets secure canopy plate to retaining mechanism. Available in powdercoat finishes.
- C** **CABLE**  
Available in lengths up to 192" maximum, cable is field cuttable, consult factory for lengths greater than 192". Available in black and white finishes.
- D** **BODY**  
Available in powdercoat finishes.
- E** **WAVEGUIDE**  
Transmits light creating illumination effect. Ships with protective cover installed.
- F** **OPTIC**  
Robust light engine with optimized optic pairing integrates Reflection, Refraction and TIR offering 15°, 35°, and 55° beams.
- G** **MEDIA**  
Media is field-changeable.
- H** **TRIM BEZEL**  
Attaches to optic assembly and accommodates one media. Finish will match body color. Consult factory if alternate finish requested.

## CLEANING INSTRUCTIONS

Factory recommends cleaning waveguide assembly with a microfiber cloth or similar non-abrasive cloth. In most cases a damp microfiber cloth will remove dust/debris or fingerprints. For stubborn stains, approved cleaning agents include soap and water, or ammonia based cleaners.



## DIMENSIONS / DRAWINGS



# STELLR RECESSED PENDANT

## HOUSING

- I NO INSULATION CONTACT (NON-IC) HOUSING**
  - Included with Y and W install types.
  - Minimum 0.50" setback from combustible and non-combustible materials on all sides and top of housing.
  - Minimum 3.00" setback from insulation material having max R-Value 30 on all sides and top of housing.
  - Minimum 6.00" setback from polycell spray foam insulation having max R-Value 60.
- J INSULATION CONTACT (IC) HOUSING**
  - Included with X and V install types.
  - No setback from polycell spray foam insulation having max R-Value of 60 on all sides and top of housing.
- K TG ACCESSORY**

Specified separately and recommended for installations in T-Grid and with furring channel. Hanger bars are installed to adjustable bracket. Allows housing to be raised and lowered; ceiling thickness remains 0.5" to 2.25" max.

## HOUSING MOUNTING NOTES

- X and V install types are required for Chicago Plenum, Airtight and Title 24 (JA8) applications.
- Do not install in environments where ambient temperatures exceed 40°C (104°F).
- Power supply compartment and all splice connections may be serviced from room side.
- Consult factory for spacing requirements for any installations exceeding R-Value 60.
- Hanger bars fitted to short side of housing or long side of housing for TG Accessory; extend from 14.0" to 24.0", but may be field cut to accommodate narrow stud spacing.
- Hanger bars and brackets add 4.00" to the overall dimension, but are exclusive of the setback requirements.

## REMOTE / REMODEL

- L REMOTE / REMODEL JUNCTION BOX**
  - Junction box mounted to top of mounting adapter allows for low voltage connections from remote driver(s).
  - Minimum 1.25" (32mm) setback from top of junction box to R30 material.
- M REMOTE / REMODEL POWER SUPPLY**
  - Provided with R install type. Consult installation guide for maximum allowable secondary run lengths between PS-RMT and fixture. Must be installed in an accessible location.
  - Minimum 8" (204mm) setback from sides of remote drivers to R30 material.
  - Minimum 3" (77mm) spacing between drivers.
- N ATHENA / CASAMBI CONTROL**

Controls integrated into housing or remote driver assembly. All equipment is serviceable.

Athena Model Numbers: A-WN-D01-RF-BL & DFC-OEM-DBI

Casambi Model Number: BT-S1E1-5400
- O ATHENA / CASAMBI EM SHUNT**

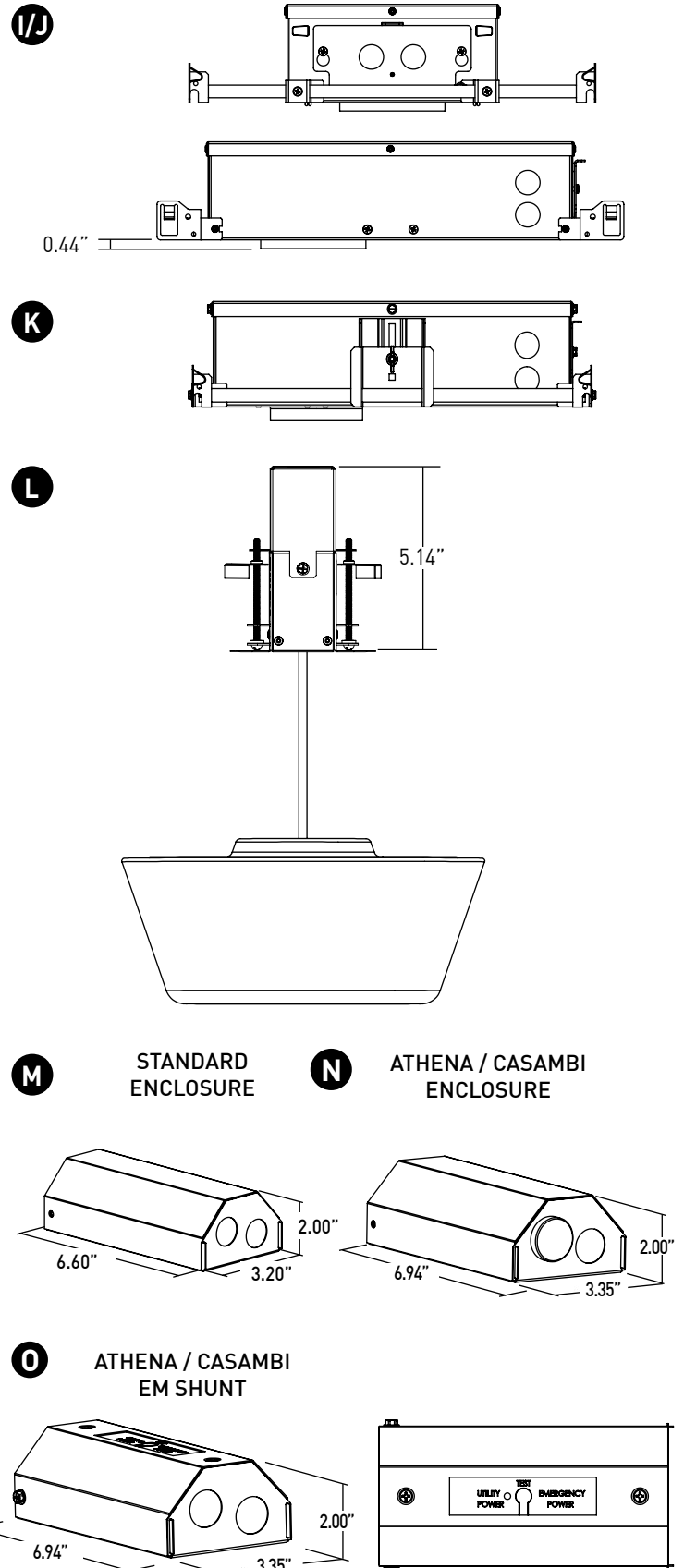
Included with drivers specified as ASR, ADP, CSR, or CDR. One required for each wireless EM fixture, requires class 2 control wiring between fixture and shunt. Features integrated test switch.

Model Number: PS-RMT-SHUNT

## REMOTE/REMODEL NOTES

- Do not install in environments where ambient temperatures exceed 40°C (104°F).
- Consult factory for spacing requirements for any installations exceeding R-Value 60.

## DIMENSIONS / DRAWINGS



# STELLR RECESSED PENDANT

## ZERO-SIGHTLINE INSTALLATIONS

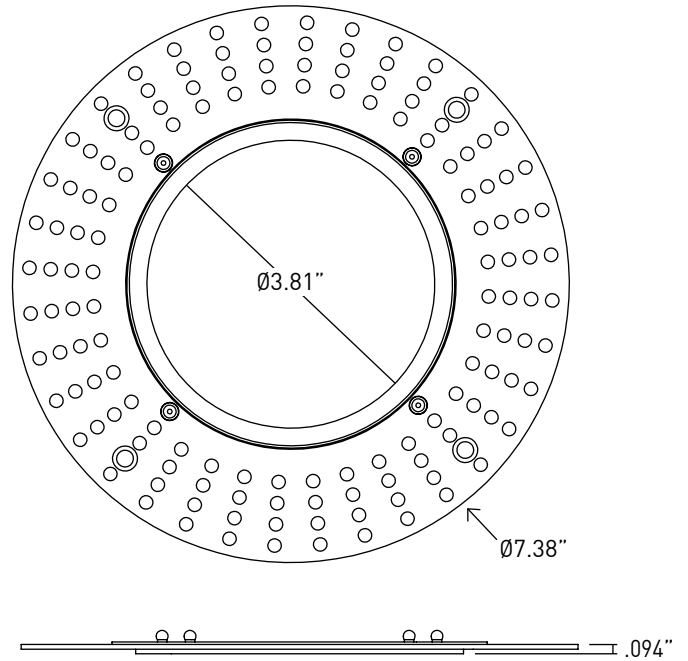
When installed according to manufacturer's instructions and ceiling conditions are met, fixture trim plate is flush with the ceiling plane. Consult STELLR Installation Guidelines for appropriate ceiling cutouts and instructions for proper Zero-Sightline installations.

### **P** APPLIQUÉ

- Specified on Fixture Type and ships with housing.
- For use in painted gypsum ceiling applications.
- Not recommended for stucco applications.

## DIMENSIONS / DRAWINGS

**P**



## FIXTURE CONTROL INFORMATION

DRIVER	DRIVER QUANTITY	SOURCES DIM INDEPENDENTLY OR TOGETHER	SOURCES DIM TOGETHER ONLY	WIRING REQUIREMENTS
PH	2	X		For independent control, two switch-legs required.
TR	2	X		For independent control, two switch-legs required.
L2	2	X		For independent control, two switch-legs required.
SG	2	X		For independent control, two switch-legs and two 0-10V control leads required.
SN	2	X		For independent control, two switch-legs and two 0-10V control leads required.
LP	2	X		For independent control, two EcoSystem addresses required.
DD	1	X		For independent control, two DALI addresses required.
EG	1		X	Single switch-leg and 0-10V control leads required.
EN	1		X	Single switch-leg and 0-10V control leads required.

# STELLR RECESSED PENDANT

## TECHNICAL

### CONSTRUCTION

**Fixture:** Spun reflector; die-cast aluminum heat-sink; stamped canopy; painted finishes are granulated powder coat.

**Housing:** 22 Gauge galvanized steel.

**Mounting Adapter / Junction Box:** 22 Gauge galvanized steel.

**Remote Power Supply:** 22 Gauge galvanized steel.

### LED

Proprietary 2 step MacAdam ellipse LED modules available in 80+ and 90+ CRI configurations in color temperatures of 2700K, 3000K, 3500K and 4000K. Average rated lamp life of 50,000 hours. Driver assemblies are field-replaceable.

### WARM DIM LED

Proprietary 3-step MacAdam ellipse warm dim LED modules available in 90+ CRI configuration. 3000K at full brightness, warming to 1800K at full dim. Average rated lamp life of 50,000 hours. Driver assemblies are field-replaceable.

### POWER SUPPLY PERFORMANCE AND DIMMING INFORMATION

Power Supply	PHASE			0-10V				ECO	DALI	ATHENA	CASAMBI
	TR	L2	PH	SG	SN	EG	EN	LP	DD	AS1	CS1
Minimum °C	-20 °C	0 °C	-10 °C	-10 °C	-10 °C	-20 °C	-20 °C	0 °C	-20 °C	0 °C	-20 °C
Maximum °C	25 °C	25 °C	25 °C	25 °C	25 °C	25 °C	25 °C	25 °C	25 °C	40 °C	40 °C
Dimming %	2.0%	1.0%	1.0%	1.0%	1.0%	0.1%	0.1%	0.1%	0.1%	0.1%	0.1%

### MAXIMUM ALLOWABLE REMOTE DRIVER WIRING DISTANCES

DRIVER	WIRE AWG				
	12	14	16	18	20
PH, SG, SN, TR	285'	180'	113'	71'	45'
L2, LP	60'	40'	25'	15'	-
EG, EN, DD, AS1, CS1	-	-	118'	72'	46'

### MOUNTING

Fixture is supplied with a mounting adapter. Junction box included on mounting adapter for remote / remodel installations.

### LISTING

cTUVus listed to UL1598 standard for Dry / Damp locations.

JA8-2022 Title 24 listed.

NEMA 410 Compliant.

### WEIGHT

Fixture - 7 lbs max

Housing - 5.1 lbs

Remote Driver - 1.4 lbs

### LIMITED WARRANTY

Manufacturer's 1-year warranty guarantees product(s) listed to be free from defects in material and workmanship under normal use and service. 5-year warranty on LED and power supply to operate with 70% of the original flux and remain within a range of 3 duv. 10-year Lutron Advantage limited warranty available on Lutron equipped systems.

Warranty period begins from the date of shipment by Seller. Consult

[website](#) for full warranty terms and conditions.

### CHANGE LOG

1. 10/17/2022: REMOVED 3200K-1800K WARM DIM AND ADDED 3000K-1800K WARM DIM.

2. 08/08/2023: UPDATED WITH NEW LED AND OPTIC SYSTEM.

3. 1/11/2024: ADDED ATHENA/CASAMBI OFFERINGS.

# STELLR RECESSED PENDANT

## DRIVE CURRENT SPECIFICS

### DOWNLIGHT

	80C	90C	90W
	20A	17A	13A
Minimum Vf	30.5	30.5	30.5
Maximum Vf	39	39	39
Current mA	425	425	350
Wattage W	14.6	14.6	11.8

### WAVEGUIDE

	80C	90C	90W
Minimum Vf	30.5	30.5	30.5
Maximum Vf	39	39	39
Current mA	350	350	350
Wattage W	11.8	11.8	11.8