

ATOMOS™ 2 LVS

UNIVERSAL AND SLIM

A miniature downlight range offering impressive performance in an extremely small profile with a 2" aperture. Available as flange overlay and trimless for both drywall and millwork applications.

PROJECT NAME:	TYPE:
---------------	-------



ORDERING INFORMATION - TRIM / HOUSING

TRIM	TRIM TYPE	RATING	TRIM FINISH	BAFFLE FINISH	FIXTURE TYPE	INSTALL TYPE	LUMEN PACKAGE	CCT	OPTIC	MEDIA	DRIVER												
LVS																							
ADJUSTABLE & FIXED A2RS 2" Round A2SS 2" Square WALLWASH A2RW 2" Round A2SW 2" Square	F Flange Overlay T Trimless Drywall W Trimless Millwork* (Not available for remodel installations)	1 Dry / Damp (IP20) 2 Wet (IP44)	WH White	WH White	5.52" UNIVERSAL HOUSING (SEPARATE TRIM AND HOUSING) 1/2" - 2" MAX CEILING THICKNESS SEE PAGE 2 FOR T-GRID ACCESSORY		STATIC WHITE 8008D 80+ CRI AD/FD Im delivered - 538 SF Im delivered - 594 8009H 80+ CRI* (For use with 10° optic only) AD/FD Im delivered - 322 SF Im delivered - 346 8012D 80+ CRI AD/FD Im delivered - 920 SF Im delivered - 1012 8016D 80+ CRI Max Flux SF Im delivered - 1227* (SF Fixture Type Only) 9007D 90+ CRI AD/FD Im delivered - 455 SF Im delivered - 503 9009H 90+ CRI* (For use with 10° optic only) AD/FD Im delivered - 273 SF Im delivered - 293 9010D 90+ CRI AD/FD Lm delivered - 779 SF Im delivered - 860 9014D 90+ CRI Max Flux SF Im delivered - 1042* (SF Fixture Type Only)		24 2400K* (90+CRI Only)	10 10°* (For use with 09H lumen package only)	STANDARD MEDIA 4 Soft Focus Film* (Required for 10° optic) W Wallwash Lens* (Required for and only available with wallwash)	LVS Low Voltage System											
			AB Architectural Bronze	AB Architectural Bronze																			
			AG Satin Silver	AG Satin Silver	AD Adjustable, 30° Max Tilt	REMOTE																	
			AU Cashmere Gold	AU Cashmere Gold	FD Fixed	S IC, Remote																	
			BB Burnt Bronze	BB Burnt Bronze	WW Wallwash	T Non-IC, Remote																	
			BK Black	BK Black		K IC, Airtight, Remote* (Chicago Plenum & Airtight compliant housing)																	
			PR Primer	PR Primer		J IC, Light Enclosed, Remote* (Chicago Plenum & Airtight compliant housing. Prevents light leak in transparent ceilings)																	
			00 Trimless	00 Trimless		REMOTE REMODEL																	
			CF Custom Finish* (Consult Factory)	CF Custom Finish* (Consult Factory)		M Remote Remodel																	
<table border="0"> <tr> <td></td> <td></td> <td></td> </tr> <tr> <td>(WH) White Powder Coat</td> <td>(AB) Architectural Bronze Powder Coat</td> <td>(AG) Satin Silver Powder Coat</td> </tr> <tr> <td></td> <td></td> <td></td> </tr> <tr> <td>(AU) Cashmere Gold Powder Coat</td> <td>(BB) Burnt Bronze Powder Coat</td> <td>(BK) Black Powder Coat</td> </tr> </table>															(WH) White Powder Coat	(AB) Architectural Bronze Powder Coat	(AG) Satin Silver Powder Coat				(AU) Cashmere Gold Powder Coat	(BB) Burnt Bronze Powder Coat	(BK) Black Powder Coat
(WH) White Powder Coat	(AB) Architectural Bronze Powder Coat	(AG) Satin Silver Powder Coat																					
(AU) Cashmere Gold Powder Coat	(BB) Burnt Bronze Powder Coat	(BK) Black Powder Coat																					
3.4" SLIM HIGH OUTPUT HOUSING (INTEGRATED LED HOUSING) SF: 1/2" - 1" MAX CEILING THICKNESS SW: 1/2" - 5/8" MAX CEILING THICKNESS SEE PAGE 2 FOR T-GRID ACCESSORY																							
					SF Fixed	REMOTE	WARM DIM																
					SW Wallwash* (Not available for trimless millwork)	V IC, Remote	9005D 90+ CRI, AD/FD Im delivered - 391 SF Im delivered - 443		WL 2700K - 1800K														
						W NIC, Remote	9009D 90+ CRI, AD/FD Im delivered - 668 SF Im delivered - 757		WD 3000K - 1800K														
						D IC, Airtight, Remote* (Chicago Plenum & Airtight compliant housing)	TUNABLE WHITE																
							9010D 90+ CRI, Warm Profile AD/FD Im delivered - 694 SF Im delivered - 764		TR 4000K - 1800K														
							Cool Profile AD/FD Im delivered - 611 SF Im delivered - 672		TH 5000K - 2700K														
*All Im delivered reflect 3000K, 15° or WW optic, and Soft Focus or Wallwash Media.																							

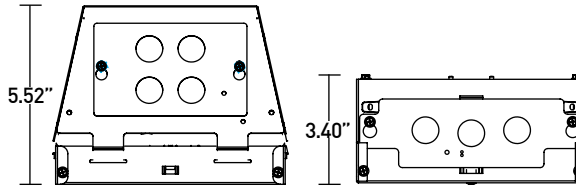
PART NUMBER NOTES

- Universal trims ship as e.g: A2RSFAD1AGAG-8012D27-15S-LVS0
- Universal housings ship as e.g: IFR-A2R-280A-LVS
- Slim fixtures ship as e.g: A2RSFSF1AGAG-8012D27-15V-LVS0



ATOMOS2 LVS UNIVERSAL AND SLIM

HOUSING COMPARISON



HOUSING COMPARISON	UNIVERSAL HOUSING	SLIM HIGH OUTPUT HOUSING
FIXTURE TYPES	AD FD WW	SF SW
HOUSING DEPTH	5.52"	3.4"
MAX DELIVERED LUMENS	AD - 920 FD - 920 WW - 1032	SF - 1227 SW - 1032
MAX CEILING THICKNESS	2"	1"
ROTATING COLLAR	NO	YES
OPTICS	15°, 25°, 35°, 50°, 80°, & ADJUSTABLE ZOOM	15°, 25°, 35°, 50°, & 80°

ACCESSORIES

ALTERNATE EFFECTS DEVICES

Consult factory for additional configurations.

- CGL-AR** Clear Film*
*(Not available for Warm Dim. Consult factory for Wet locations.)
- SFL-AR** Soft Focus Film*
*(Consult factory for Wet locations.)
- HCL-AR** Honeycomb Louver*
*(Not available for Warm Dim unless paired with Soft Focus Film. Not available for wet location unless paired with film.)
- LSL-AR** Linear Spread Film*
*(Consult factory for Wet locations)
- WDL-AR** Wide Distribution Film*
*(Must be paired with 80° optic. Consult factory for Wet locations.)

HANGER BAR EXTENDER KIT

Extends hanger bars from 24.0" to 46.0" maximum.

- FRX-HBE-46** Extender, Hanger Bar.

T-GRID ACCESSORY KIT

Recommended for installations in T-Grid up to 1.5" tall.

- DHA-TG-KIT**

INSTALLATION / REMOVAL TOOL

Required for installation. One provided for every 10 fixtures.

- A2-TOOL-INSTALL** Installation Tool

REPLACEMENT OPTICS

Interchangeable optics accessible through fixture aperture.

- RO-A-15-1** 15° optic
- RO-A-25-1** 25° optic
- RO-A-35-1** 35° optic
- RO-A-50-1** 50° optic
- RO-A-AZ-1** Adjustable zoom optic*
*(24°, 30°, 36°, 42° and 48° beam spreads. Not available for Warm Dim or Tunable White.)
- RO-A-WW-1** Wallwash optic

ADJUSTMENT TOOL

One provided for every 10 adjustable fixtures.

- TOOL-HEX-050** Adjustment Tool

FURRING CHANNEL ACCESSORY KIT

Recommended for installations in furring channel.




- DHA-FC-KIT**

ATOMOS2 LVS UNIVERSAL AND SLIM

APPLICATION NOTES

- Lucifer Lighting will not supply a fixture with a POE node or power supply inside the fixture. This allows for easier site install with nodes of 2 or more outputs.
- Consult node manufacturer for maximum remote wiring distances.
- Housing and Fixture feature 18 Gauge wiring.
- Wiring connections are made in the splicing compartment or on the fixture using customer supplied connectors, ex. wire nuts, push-in connectors, or terminal blocks.
- Confirm node compatibility with factory if it is not listed.
- Customers are responsible for ensuring POE node drive current is set to correct values shown below.
- Customers must ensure voltage range of the proposed POE node encompasses the fixtures complete Vf range, both maximum and minimum. If assistance is required contact LLC rep or factory.

NODE COMPATIBILITY

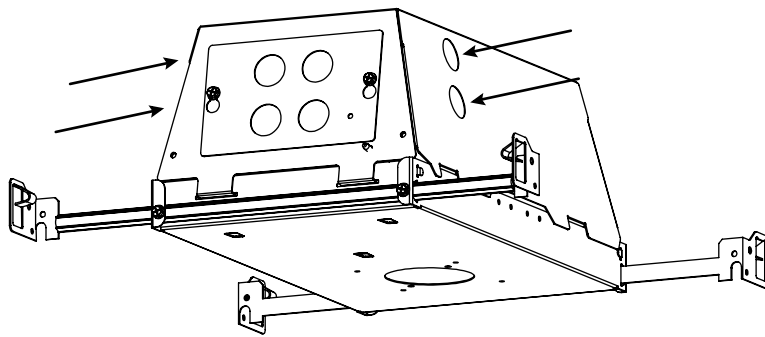
Manufacturer	Model Number
	NP50-60-C-F-5
	180996-5107 180996-5101
	1 Channel Node, POE-LN2-1U-E 2 Channel Node, POE-LN2-2U-E 4 Channel Node, POE-LN2-4U-E

DRIVE CURRENT SPECIFICS

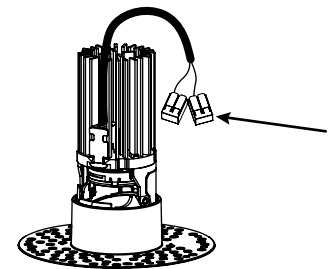
	8006D	8012D	8016D	9007D	9010D	9014D	9005D	9009D	9010DTH	9010DTR
Minimum Vf	31	31	31	31	31	31	31	31	31	31
Maximum Vf	37	37	37	37	37	37	37	37	37	37
Current mA	150	280	350	150	280	350	150	280	225	225
Wattage W	5.1	9.3	12.7	5.1	9.3	12.7	4.9	9.3	8.3	8.3

WIRING DIAGRAM AND HOUSING/REMODEL ENTRY/ EXIT POINTS

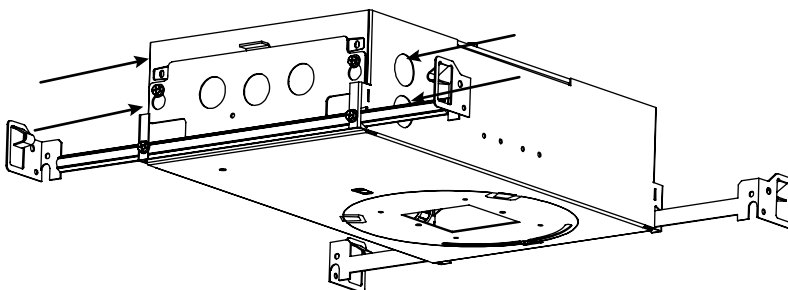
UNIVERSAL



REMODEL

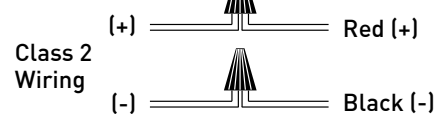


SLIM HIGH OUTPUT



LV CONSTANT
CURRENT SOURCE:
POE NODE OR
REMOTE DRIVER

HOUSING OR
REMODEL
FIXTURE



ATOMOS2 LVS UNIVERSAL AND SLIM

STATIC WHITE PERFORMANCE - 3000K

UNIVERSAL HOUSING (AD, FD, WW)

LUMEN PACKAGE	WATTS	15° OPTIC SOFT FOCUS FILM		25° OPTIC SOFT FOCUS FILM		35° OPTIC SOFT FOCUS FILM		50° OPTIC SOFT FOCUS FILM		80° OPTIC WIDE DIST. FILM		ROUND WALLWASH WALLWASH LENS		SQUARE WALLWASH WALLWASH LENS	
		DLVD.	LPW	DLVD.	LPW	DLVD.	LPW	DLVD.	LPW	DLVD.	LPW	DLVD.	LPW	DLVD.	LPW
8008D	6	538	90	534	89	472	79	501	84	431	72	549	92	603	101
8012D	12	920	77	912	76	807	67	857	71	779	65	934	77	1032	87
9007D	6	455	76	452	75	400	67	424	71	365	61	465	78	511	85
9010D	12	779	65	773	64	684	57	726	61	624	52	796	66	874	74
9005D (27K-18K)	6	391	65	388	65	343	57	364	61	313	52	396	66	416	69
9009D (30K-18K)	12	668	55	663	55	587	49	623	52	535	45	677	58	712	61
9010DTR (18K-4K)	10	694	69	696	70	612	61	685	68	582	58	709	70	723	72
9010DTH (27K-5K)	10	611	61	613	61	539	54	603	60	512	51	619	62	636	64

OUTPUT MULTIPLIER

CCT	CCT SCALE
2400K	0.76
2700K	0.95
3000K	1.00
3500K	1.05
4000K	1.06

LIGHT LOSS FACTOR

NO MEDIA	1.11
SOFT FOCUS	1
CLEAR	1
HONEYCOMB	0.77
HONEYCOMB W/ SOFT FOCUS	0.77
LINEAR SPREAD	0.76
HONEYCOMB W/ CLEAR	0.76

LUMEN PACKAGE	WATTS	10° OPTIC SOFT FOCUS FILM	
		DLVD.	LPW
80S09H	9	322	36
90S09H	9	273	30

LUMEN PACKAGE	WATTS	24° Zoom-Position 1 SOFT FOCUS FILM		30° Zoom-Position 2 SOFT FOCUS FILM		36° Zoom-Position 3 SOFT FOCUS FILM		42° Zoom-Position 4 SOFT FOCUS FILM		48° Zoom-Position 5 SOFT FOCUS FILM	
		DLVD.	LPW	DLVD.	LPW	DLVD.	LPW	DLVD.	LPW	DLVD.	LPW
8008D	6	469	78	473	79	446	74	427	71	422	70
8012D	12	803	67	810	67	763	64	731	61	721	60
9007D	6	398	66	401	67	378	63	362	60	357	60
9010D	12	680	57	686	57	646	54	619	52	611	51

FINISH LIGHT LOSS FACTOR

BAFFLE FINISH	LLF
WHITE	1.00
CASHMERE GOLD	0.96
SATIN SILVER	0.95
BURNT BRONZE	0.93
BLACK	0.92

TUNABLE WHITE MULTIPLIER

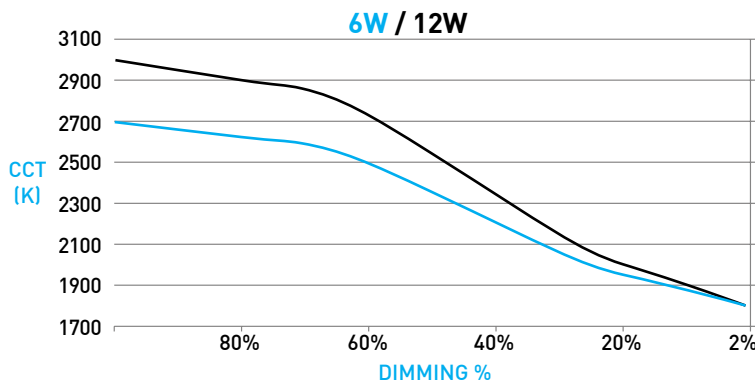
CCT	5000K-2700K	4000K-1800K
5000K	1.16	-
4000K	1.08	1.14
3500K	1.04	1.07
3000K	1.00	1.00
2700K	0.96	0.92
2400K	-	0.84
1800K	-	0.69

WARM DIM PERFORMANCE - SOFT FOCUS FILM - 15° OPTIC

UNIVERSAL ADJUSTABLE & FIXED

9009D 3000K - 1800K	Full on 100%	Dimmed to 80%	Dimmed to 70%	Dimmed to 50%	Dimmed to 20%	Dimmed to 10%	Dimmed to 2%
CCT (K)	3000	2900	2850	2550	2000	1900	1800
Light Output (Lm)	668	534	467	334	133	66	13
Power (W)	12	9.6	8.4	6	2.4	1.2	0.2
Efficacy (LPW)	55	55	55	55	55	55	55

9005D 2700K - 1800K	Full on 100%	Dimmed to 80%	Dimmed to 70%	Dimmed to 50%	Dimmed to 20%	Dimmed to 10%	Dimmed to 2%
CCT (K)	2700	2160	1890	1350	540	270	54
Light Output (Lm)	391	313	274	196	78	39	8
Power (W)	6	4.8	4.2	3	1.2	0.6	0.1
Efficacy (LPW)	65	65	65	65	65	65	65



ATOMOS2 LVS UNIVERSAL AND SLIM

STATIC WHITE PERFORMANCE - 3000K

SLIM HIGH OUTPUT HOUSING (SF, SW ONLY)

LUMEN PACKAGE	WATTAGE	15° OPTIC SOFT FOCUS FILM		25° OPTIC SOFT FOCUS FILM		35° OPTIC SOFT FOCUS FILM		50° OPTIC SOFT FOCUS FILM		80° OPTIC WIDE DIST. FILM	
		DLVD.	LPW	DLVD.	LPW	DLVD.	LPW	DLVD.	LPW	DLVD.	LPW
8008D	6	594	99	585	98	547	91	574	96	483	81
8012D	12	1012	84	999	83	933	78	978	82	845	70
8016D	15	1227	78	1210	78	1130	73	1186	62	1060	70
9007D	6	503	84	496	83	463	77	486	81	409	68
9010D	12	860	69	848	68	792	64	831	67	700	58
9014D	15	1042	66	1028	66	960	62	1007	53	816	54
9005D (27K-18K)	6	443	74	435	73	406	68	426	71	365	61
9009D (30K-18K)	12	757	64	744	63	695	58	729	62	624	52
9010DTR (18K-4K)	10	764	76	762	76	708	71	782	78	632	63
9010DTH (27K-5K)	10	672	67	671	67	623	62	688	69	556	56

LUMEN PACKAGE	WATTS	10° OPTIC SOFT FOCUS FILM	
		DLVD.	LPW
80S09H	9	346	38
90S09H	9	293	33

FINISH LIGHT LOSS FACTOR

BAFFLE FINISH	LLF
WHITE	1.00
CASHMERE GOLD	0.96
SATIN SILVER	0.95
BURNT BRONZE	0.93
BLACK	0.92

OUTPUT MULTIPLIER

CCT	CCT SCALE
2400K	0.76
2700K	0.95
3000K	1.00
3500K	1.05
4000K	1.06

LIGHT LOSS FACTOR

NO MEDIA	LLF
NO MEDIA	1.11
SOFT FOCUS	1
CLEAR	1
HONEYCOMB	0.77
HONEYCOMB W/ SOFT FOCUS	0.77
LINEAR SPREAD	0.76
HONEYCOMB W/ CLEAR	0.76

TUNABLE WHITE MULTIPLIER

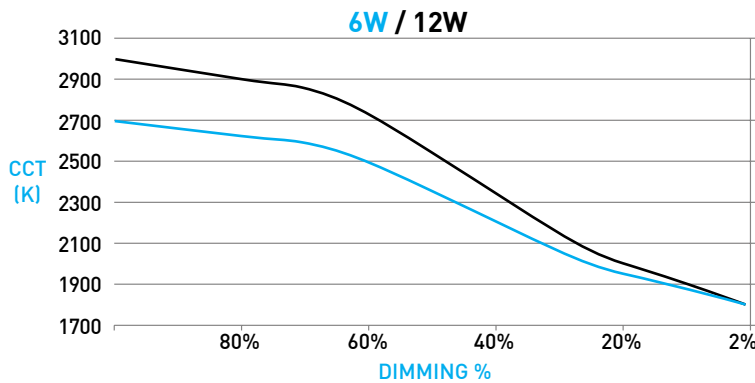
CCT	5000K-2700K	4000K-1800K
5000K	1.16	-
4000K	1.08	1.14
3500K	1.04	1.07
3000K	1.00	1.00
2700K	0.96	0.92
2400K	-	0.84
1800K	-	0.69

WARM DIM PERFORMANCE - SOFT FOCUS FILM - 15° OPTIC

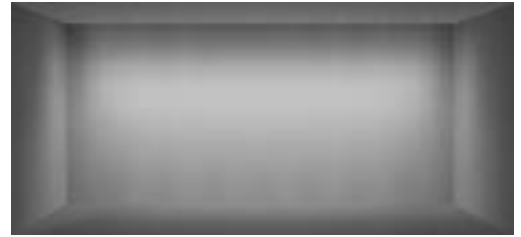
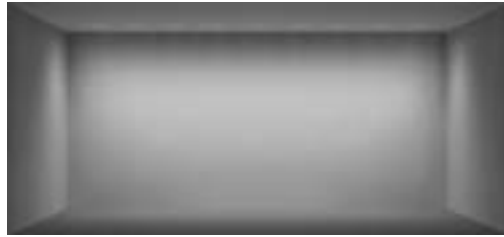
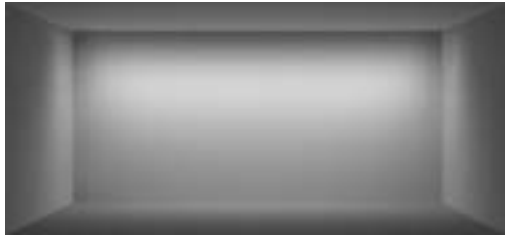
SLIM FIXED

9009D 3000K - 1800K	Full on 100%	Dimmed to 80%	Dimmed to 70%	Dimmed to 50%	Dimmed to 20%	Dimmed to 10%	Dimmed to 2%
CCT (K)	3000	2900	2850	2550	2000	1900	1800
Light Output (Lm)	757	606	530	378	151	75	15
Power (W)	12	9.6	8.4	6	2.4	1.2	0.2
Efficacy (LPW)	64	64	64	64	64	64	64

9005D 2700K - 1800K	Full on 100%	Dimmed to 80%	Dimmed to 70%	Dimmed to 50%	Dimmed to 20%	Dimmed to 10%	Dimmed to 2%
CCT (K)	2700	2160	1890	1350	540	270	54
Light Output (Lm)	443	354	310	222	89	44	9
Power (W)	6	4.8	4.2	3	1.2	0.6	0.1
Efficacy (LPW)	73	73	73	73	73	73	73



ROUND



RECOMMENDED

30" SETBACK / 30" ON CENTER SPACING

- AVERAGE FC: 11.48
- MIN / MAX: 5.81
- 10FT CEILING SHOWN / 8-12FT IDEAL
- 9 FIXTURES / 25FT WALL SHOWN

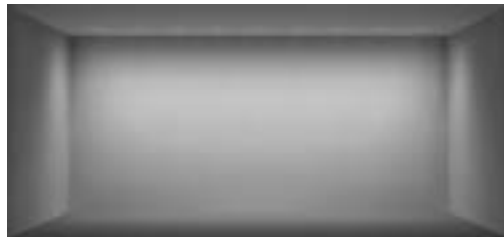
36" SETBACK / 36" ON CENTER SPACING

- AVERAGE FC: 9.26
- MIN / MAX: 5.30
- 10FT CEILING SHOWN / 8-12FT IDEAL
- 9 FIXTURES / 30FT WALL SHOWN

42" SETBACK / 42" SPACING ON CENTER

- AVERAGE FC: 7.22
- MIN / MAX: 7.60
- 10FT CEILING SHOWN / 8-12FT IDEAL
- 9 FIXTURES / 35FT WALL SHOWN

SQUARE



RECOMMENDED

30" SETBACK / 30" ON CENTER SPACING

- AVERAGE FC: 12.64
- MIN / MAX: 4.83
- 10FT CEILING SHOWN / 8-12FT IDEAL
- 9 FIXTURES / 25FT WALL SHOWN

36" SETBACK / 36" ON CENTER SPACING

- AVERAGE FC: 11.30
- MIN / MAX: 4.46
- 10FT CEILING SHOWN / 8-12FT IDEAL
- 9 FIXTURES / 30FT WALL SHOWN

42" SETBACK / 42" SPACING ON CENTER

- AVERAGE FC: 8.07
- MIN / MAX: 5.76
- 10FT CEILING SHOWN / 8-12FT IDEAL
- 9 FIXTURES / 35FT WALL SHOWN

ADDITIONAL SPACINGS AND SETBACKS

ROUND			
ON CENTER SPACING	SETBACK		
	30"	36"	42"
30"	SHOWN ABOVE	AVERAGE FC: 10.51 MIN / MAX: 5.83	AVERAGE FC: 9.62 MIN / MAX: 6.50
36"	AVERAGE FC: 10.01 MIN / MAX: 5.47	SHOWN ABOVE	AVERAGE FC: 8.53 MIN / MAX: 5.46
42"	AVERAGE FC: 8.47 MIN / MAX: 7.20	AVERAGE FC: 7.81 MIN / MAX: 7.18	SHOWN ABOVE

SQUARE			
ON CENTER SPACING	SETBACK		
	30"	36"	42"
30"	SHOWN ABOVE	AVERAGE FC: 11.68 MIN / MAX: 4.51	AVERAGE FC: 10.77 MIN / MAX: 4.69
36"	AVERAGE FC: 10.98 MIN / MAX: 4.43	SHOWN ABOVE	AVERAGE FC: 9.56 MIN / MAX: 4.09
42"	AVERAGE FC: 9.32 MIN / MAX: 5.75	AVERAGE FC: 8.67 MIN / MAX: 5.44	SHOWN ABOVE

ATOMOS2 LVS UNIVERSAL AND SLIM

TRIM / HOUSING / FIXTURE

A1 UNIVERSAL TRIMS
Adjustable (AD) - Hot-aim tilt up to 30° and 362° rotation. Offset pivot point optimizes center beam. Max ceiling thickness for 30° tilt is 1-3/8".

Fixed (FD) - Trim based fixed downlight.

Wallwash (WW) - Precision engineered to provide exceptionally even wallwashing and minimal aperture glare.

A2 UNIVERSAL HOUSING

- For IC or Non-IC ceilings.
- Chicago Plenum and Airtight listed.
- Requires 2-5/16" cutout for flange overlay and trimless drywall applications.
- Accommodates max 1032 delivered lumens.
- No setback from polycell spray foam insulation having max R-Value of 60 on all sides and top.
- "J" Light Tight housing ensures there is no light leak through fabric or transparent ceilings.

B SLIM HIGH OUTPUT HOUSING
Integral LED module design enables field service / replacement through housing aperture.

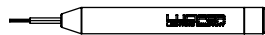
- For IC or Non-IC ceilings.
- Chicago Plenum and Airtight listed.
- Requires 2-5/16" cutout for flange overlay and trimless drywall applications.
- Accommodates max 1300 delivered lumens.
- No setback from polycell spray foam insulation having max R-Value of 60 on all sides and top.

HOUSING NOTES

- Do not install in environments where ambient temperatures exceed 40°C (104°F).
- All splice connections may be serviced from room side.
- Consult factory for spacing requirements for any installations exceeding R-Value 60.
- Hanger bars can be fitted to long or short side of housing; extend from 14.0" to 24.0", but may be field cut to accommodate narrow stud spacing. Can be extended up to 46" maximum with FRX-HBE-46 kit.
- Hanger bars and brackets add 3.16" to the overall dimension but are exclusive of the setback requirements.
- Housings feature a round or square aperture accommodating ceiling thicknesses between 0.50" and 2.00".

ADJUSTMENT

- **ADJUSTMENT TOOL**
Minimum 1 provided for every 10 adjustable fixtures. Utilizes a 0.050" Allen key driver.

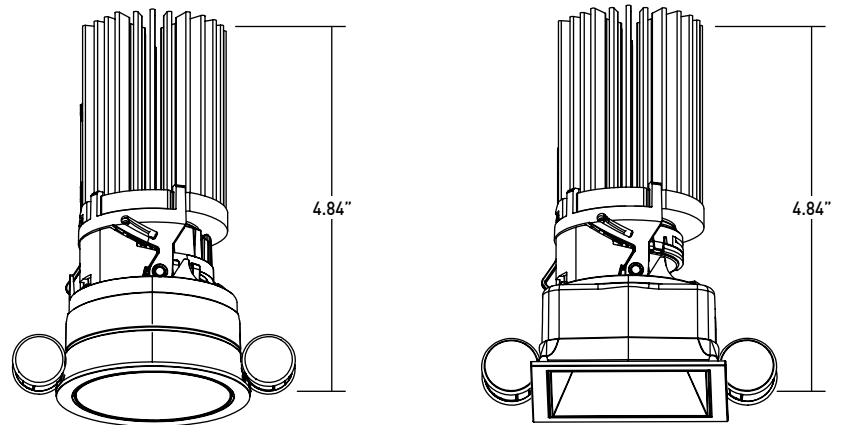


TILT CHART

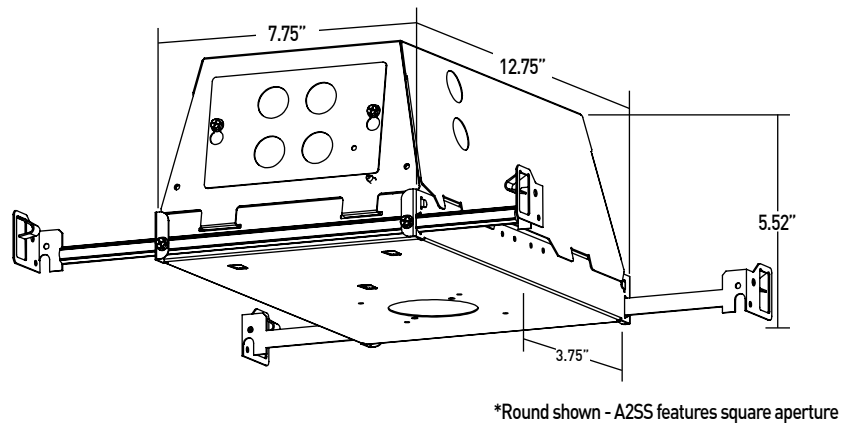
CEILING THICKNESS	≤1-1/2"	≤1-5/8"	≤1-3/4"	≤1-7/8"	≤2"
MAX TILT	30°	24°	18°	15°	13°

DIMENSIONS / DRAWINGS

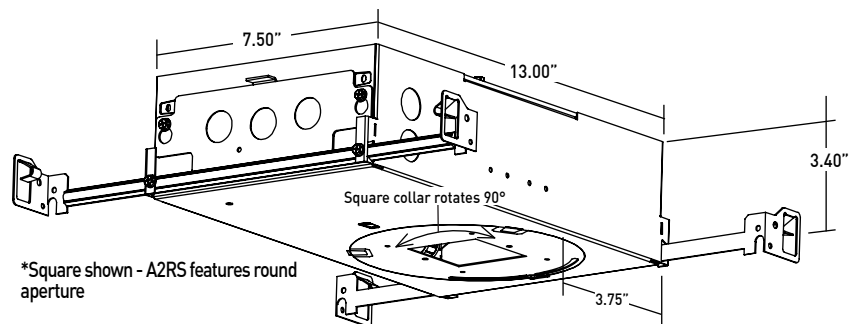
A1 UNIVERSAL ADJUSTABLE (AD) & FIXED (FD) TRIMS



A2 UNIVERSAL ADJUSTABLE (AD), FIXED (FD), WALLWASH (WW) HOUSING



B SLIM FIXED (SF), SLIM WALLWASH (SW) FIXTURE

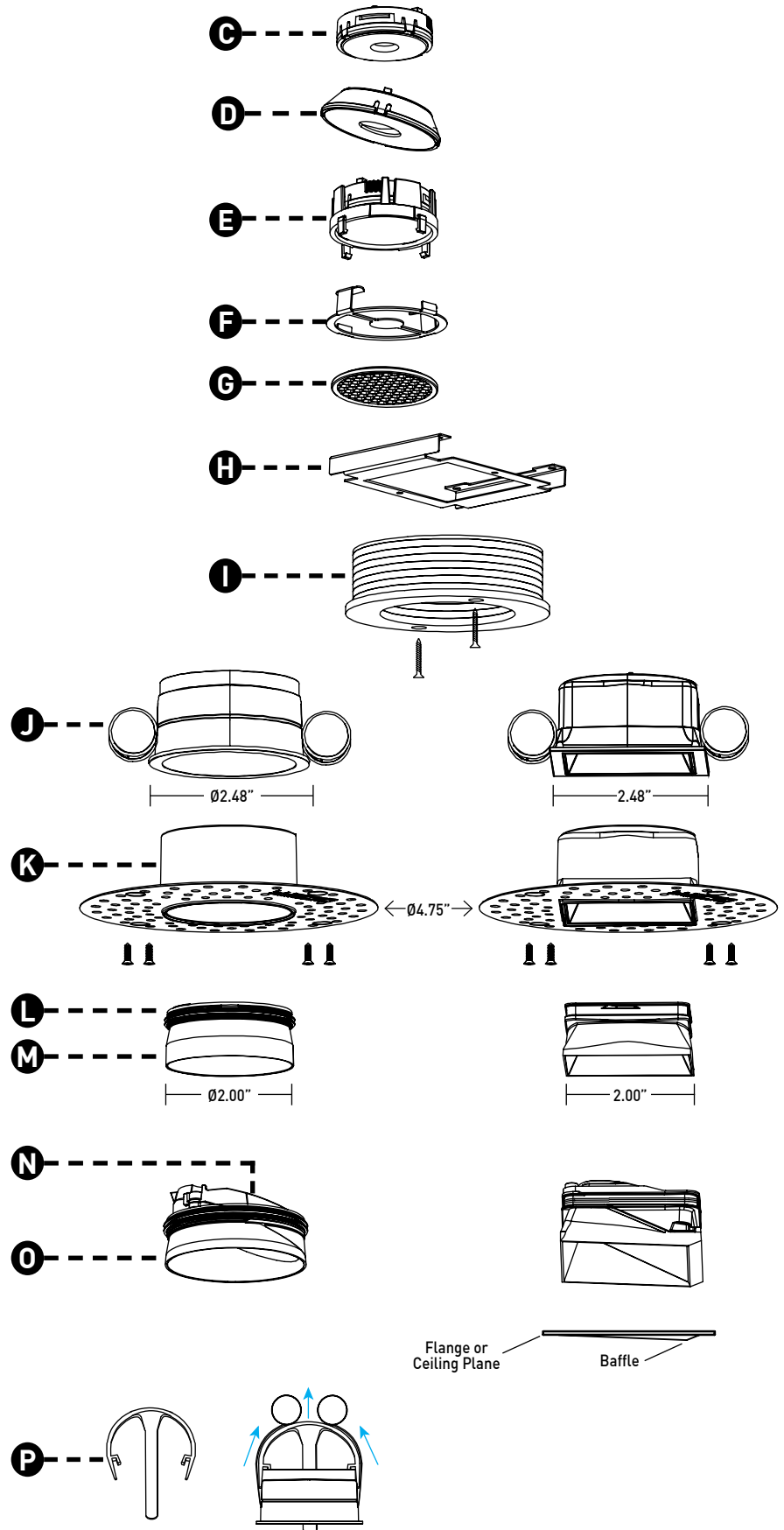


ATOMOS2 LVS UNIVERSAL AND SLIM

COMPONENTS

- C STANDARD OPTICS**
Proprietary optic integrates Reflection, Refraction and TIR offering 15°, 25°, 35°, and 50° beams. 25° optic used for optimal accent washing.
- D WALLWASH OPTIC**
35° optic.
- E ADJUSTABLE ZOOM OPTIC**
Proprietary optic integrates Refraction and TIR. Allows precision tuning to beam spreads of 24°, 30°, 36°, 42°, and 48°. Not Available with Slim Fixed (SF)
- F 10° FIELD REDUCER**
Included with 10° optic.
- G HONEYCOMB LOUVER**
Clips onto optic.
- H TRIMLESS MILLWORK HOUSING ADAPTOR**
Ships with housing when trimless millwork is specified and provides attachment point for spacers. Requires 3.50" x 3.50" cutout.
- I TRIMLESS MILLWORK SPACERS**
Ship with housing when trimless millwork is specified; includes (1) 1/16" spacer and (8) 1/8" spacers.
- J FLANGE OVERLAY**
Installed after ceiling is complete. Requires 2-5/16" diameter cutout. Provides 0.16" total contractor (goof) allowance with 0.20" flange. Thickness measures 0.06".
- K TRIMLESS DRYWALL**
Installs totally flush with the ceiling with no visible trim. Appliqué includes screws for mounting and has 0.06" plaster stop. Not recommended for stucco applications.
- L ADJUSTABLE AND FIXED EFFECTS DEVICE**
Soft focus media standard and sealed to baffle on Wet locations. Fixture is limited to 1 media and the honeycomb louver.
- M ADJUSTABLE AND FIXED BAFFLE**
Die-cast removable baffle provides easy access to tilting mechanism and features 45° glare cutoff. Minimizes aperture glare and conceals view into housing or ceiling; includes silicone gasket. Square baffle transitions from square to round.
- N WALLWASH EFFECTS DEVICE**
Acrylic wallwash lens, included and sealed in place.
- O WALLWASH BAFFLE**
Die-cast removable baffle minimizes aperture glare and conceals view into housing or ceiling; includes silicone gasket. Square baffle sits proud of the flange or ceiling plane to provide enhanced wallwashing effect.
- P INSTALLATION TOOL**
Minimum 1 provided for every 10 flange overlay and trimless millwork fixtures.

DIMENSIONS / DRAWINGS



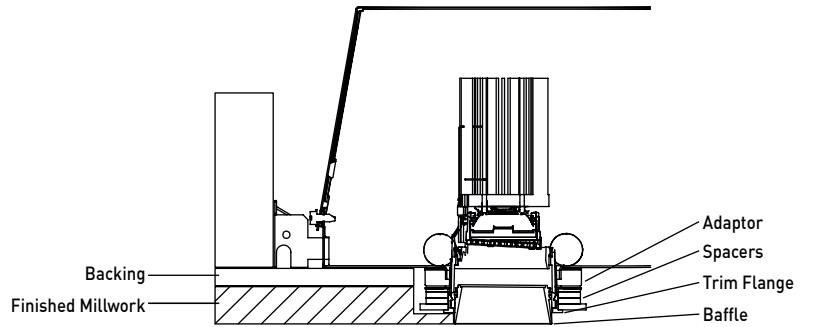
ATOMOS2 LVS UNIVERSAL AND SLIM

HOUSING

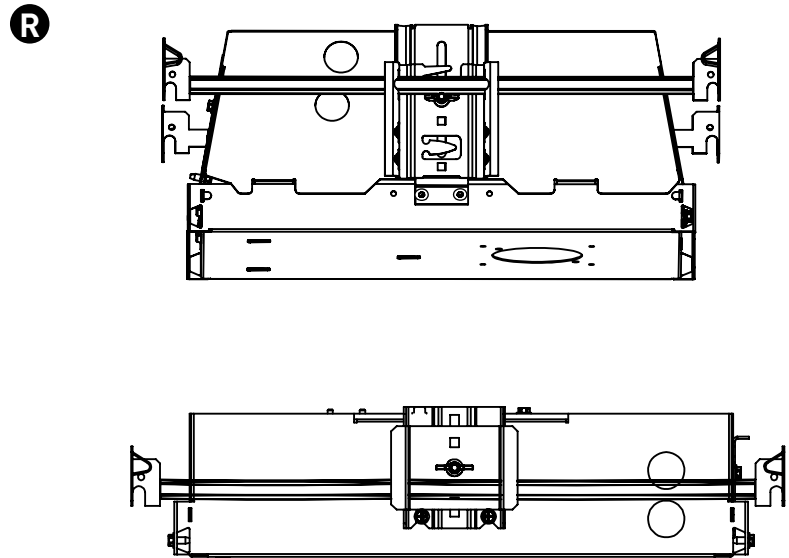
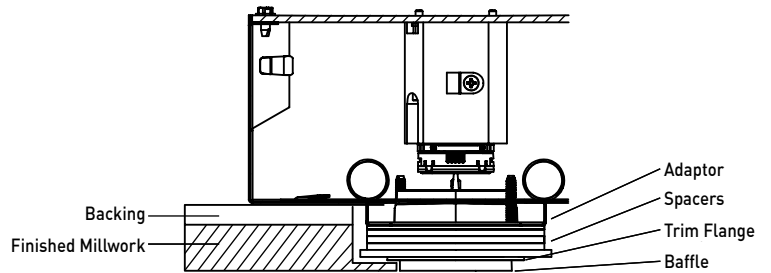
- Q TRIMLESS MILLWORK**
Installs totally flush with the ceiling with no visible trim. Utilizes the A2RS or A2SS standard configuration installed behind the ceiling.
- R ADJUSTABLE HANGER BAR HEIGHT ACCESSORY**
Specified as DHA-TG-KIT and recommended for installations in T-Grid. Hanger bars are installed to adjustable bracket. Allows housing to be raised and lowered; ceiling thickness remains 0.50" to 1.00" (SLIM) or 2.00" (Universal) max.

DIMENSIONS / DRAWINGS

Q UNIVERSAL TRIMLESS MILLWORK DETAIL (EXAMPLE)



SLIM TRIMLESS MILLWORK DETAIL (EXAMPLE)



ATOMOS2 LVS UNIVERSAL AND SLIM

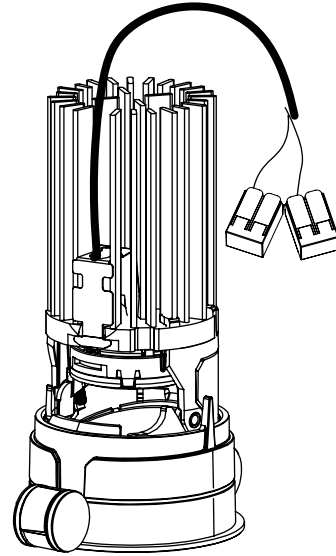
REMOTE REMODEL

S REMOTE REMODEL

- Included with "M" Install Type.
- UL2043 listed for air-handling plenum.
- Fixture mounts without conventional housing.
- Minimum 9.25" (235mm) clearance from top of the ceiling plane to allow for driver installation and servicing if necessary.
- Minimum setback from combustible and non-combustible materials of 6.63" (168mm) radius from fixture centerline.
- Minimum additional 3.00" (76mm) setback from insulation material with max R-Value 30 from any surface of downlight fixture assembly.
- Minimum additional 6.00" (152mm) setback from polycell spray foam insulation with max R-Value 60 from any surface of downlight fixture assembly.

DIMENSIONS / DRAWINGS

S



REMODEL NOTES

- Do not install in environments where ambient temperatures exceed 40°C (104°F).
- All splice connections may be serviced from room side.
- Consult factory for spacing requirements for any installations exceeding R-Value 60.

ATOMOS2 LVS UNIVERSAL AND SLIM

TECHNICAL

CONSTRUCTION

Downlight: Painted finishes are granulated powder coat.

Housing: Aluminum and 22 Gauge galvanized steel.

Appliqué: High strength fiber reinforced polymer.

STATIC WHITE LED

2-step MacAdam ellipse LED module available in 80+ and 90+ CRI configurations in color temperatures of 2700K, 3000K, 3500K and 4000K. 3-step MacAdam ellipse LED module available in 90+ CRI configuration in color temperature of 2400K. Average rated lamp life: 50,000 hours. LED and driver assemblies are field-replaceable.

WARM DIM LED

3-step MacAdam ellipse warm dim LED module available in 90+ CRI configuration. 3000K or 2700K at full brightness, warming to 1800K at full dim. Average rated lamp life of 50,000 hours. LED and driver assemblies are field-replaceable.

TUNABLE WHITE LED

3-step MacAdam ellipse tunable white LED module available in 90+ CRI configuration. Features tuning range of 2700K to 5000K and 1800K to 4000K. Average rated lamp life of 50,000 hours. Driver assemblies are field-replaceable.

WALLWASH SPACING

Recommended fixture spacing is 36" on center with 36" setback from wall plane.

LISTING

UL listed to UL1598 standard for Dry / Damp and Wet locations. Chicago Plenum and Airtight listed.

BUY AMERICAN ACT

All IC and Non-IC Atomos configurations are Buy American Act compliant.

DECLARE

LBC Red List Approved.

LIMITED WARRANTY

Manufacturer's 1-year warranty guarantees product(s) listed to be free from defects in material and workmanship under normal use and service. 5-year warranty on LED to operate with 70% of the original flux and remain within a range of 3 duv. Warranty period begins from the date of shipment. Consult website for full warranty terms and conditions.



Declare.