

FRAXION3 INTERNATIONAL DEEP REGRESS

ACCESSORIES

ROUND / SQUARE TRANSITIONAL ALTERNATE MEDIA

IP20 Dry / Damp location only.
IP64 Wet location requires alternate baffle.

- CGL-F3RD** Clear Glass Lens*
*(Not available for Warm Dim)
- FGL-F3RD** Frosted Glass Lens
- SFL-F3RD** Soft Focus Lens
- FSFL-F3RD** Frosted Soft Focus Lens
- WDL-F3RD** Wide Distribution Lens*
- *(Required and only available for 80° beam spread)
- FLSL-F3RD** Frosted Linear Spread Lens

SQUARE ALTERNATE MEDIA

IP20 Dry / Damp location only.
IP64 Wet location requires alternate baffle.

- CGL-F3SD** Clear Glass Lens*
*(Not available for Warm Dim)
- FGL-F3SD** Frosted Glass Lens
- SFL-F3SD** Soft Focus Lens
- FSFL-F3SD** Frosted Soft Focus Lens
- WDL-F3SD** Wide Distribution Lens*
- *(Required and only available for 80° beam spread)
- FLSL-F3SD** Frosted Linear Spread Lens

ADJUSTABLE HCL ASSEMBLY

Dry / Damp location only.

OLR-F3RD1-SFL-HCL

Adjustable Honeycomb Louver and Soft Focus Lens*

*(Not available for IP64 Wet Location, 19W, Fixed Fixtures, or Warm Dim)

REPLACEMENT BAFFLE ASSEMBLY (INCLUDES MEDIA)

ASSEMBLY	SHAPE	RATING	FINISH	MEDIA
RBA				
REPLACEMENT BAFFLE ASSEMBLY	F3RD Round Deep Regress F3SD Square Deep Regress F3TD Square Transitional Deep Regress	1 IP20 Dry/Damp 2 IP64 Wet* *(Requires provided suction cup to service or aim & focus)	WH White AB Architectural Bronze AG Satin Silver AU Cashmere Gold BB Burnt Bronze BK Black PR Primer CF Custom Finish* *(Consult Factory)	LEAVE BLANK FOR SOFT FOCUS LENS (SFL) HCL Honeycomb Louver* *(Not available for IP64 Wet Location, adjustable fixtures, or Warm Dim) CGL Clear Glass Lens* *(Not available for Warm Dim) FGL Frosted Glass Lens FSFL Frosted Soft Focus Lens FLSL Frosted Linear Spread Lens WDL Wide Distribution Lens* *(Required and only available for 80° optic) NL No Lens* *(Not available for IP64 Wet Location or Warm Dim)

DEEP REGRESS REPLACEMENT OPTICS

Interchangeable optics accessible through fixture aperture.

STATIC WHITE

- RO-35-15-S** 15° optic
- RO-35-25-S** 25° optic
- RO-35-35-S** 35° optic
- RO-35-50-S** 50° optic

WARM DIM

- RO-35-25-W** 25° optic
- RO-35-35-W** 35° optic
- RO-35-50-W** 50° optic

TUNABLE WHITE

- RO-35-15-T** 15° optic
- RO-35-25-T** 25° optic
- RO-35-35-T** 35° optic
- RO-35-50-T** 50° optic

REPLACEMENT SUCTION TOOL

One included with every six fixtures designated Wet location.

- F4-TOOL-SUCTION** Allows for removal of baffle with Wet location

FRAXION3 INTERNATIONAL DEEP REGRESS



LUMEN PACKAGE	WATT-AGE	10° OPTIC FIELD REDUCER KIT		15° OPTIC SOFT FOCUS LENS		25° OPTIC SOFT FOCUS LENS		35° OPTIC SOFT FOCUS LENS		50° OPTIC SOFT FOCUS LENS		80° OPTIC SOFT FOCUS LENS	
		DLVD	LPW	DLVD	LPW	DLVD	LPW	DLVD	LPW	DLVD	LPW	DLVD	LPW
80S06D	06	-	-	527	88	524	87	477	80	500	83	430	72
80S09H	09	363	33	-	-	-	-	-	-	-	-	-	-
80S11D	11	-	-	848	77	842	77	768	70	805	73	692	63
80S15D	15	-	-	1129	75	1138	76	1038	69	1087	72	935	62
80S19D	19	-	-	1548	74	1537	73	1401	67	1468	70	1263	60
90S06D	06	-	-	446	74	443	74	404	67	423	71	364	61
90S09H	09	312	35	-	-	-	-	-	-	-	-	-	-
90S11D	11	-	-	718	65	713	65	650	59	681	62	585	53
90S15D	15	-	-	970	65	963	64	878	59	920	61	791	63
90S19D	19	-	-	1310	62	1300	62	1185	56	1242	59	1068	51
95S06D	06	-	-	396	66	393	66	358	60	375	63	323	54
95S09H	09	269	18	-	-	-	-	-	-	-	-	-	-
95S11D	11	-	-	637	58	632	57	576	52	604	55	519	47
95S15D	15	-	-	861	57	854	57	779	52	816	54	702	47
95S19D	19	-	-	1162	55	1153	55	1052	50	1102	52	948	45
90W11D (26K-18K)	11	-	-	-	-	489	44	446	41	467	42	402	37
90W11D (29K-18K)	11	-	-	-	-	495	45	451	41	473	43	407	37
90W16D (27K-18K)	16	-	-	-	-	684	43	623	39	653	41	562	35
90W16D (30K-18K)	16	-	-	-	-	693	43	632	40	662	41	570	36
90T10D (50K-27K)	10	-	-	662	66	657	66	586	59	623	62	674	67
90T10D (40K-18K)	10	-	-	752	75	746	75	667	67	708	71	766	77

Part L 75+ LPW configurations comply with residential Part L
95+ LPW configurations comply with commercial Part L

MAX UNIFIED GLARE RATING

10° OPTIC NO LENS	15° OPTIC SOFT FOCUS LENS	20° OPTIC SOFT FOCUS LENS	35° OPTIC SOFT FOCUS LENS	50° OPTIC SOFT FOCUS LENS	80° OPTIC WIDE DISTRIBUTION
<10	<13	<13	<16	<19	>19

*UGR VALUES REFLECT WHITE BAFFLE AND 19 WATTS, LOWER UGR VALUES AVAILABLE WITH DIFFERENT FINISHES AND LOWER WATTAGES.

OUTPUT MULTIPLIER

CCT	CCT SCALE
2400K	0.85
2700K	0.97
3000K	1.00
3500K	1.03
4000K	1.08

TUNABLE WHITE MULTIPLIER

CCT	5000K-2700K	4000K-1800K
5000K	1.16	-
4000K	1.08	1.14
3500K	1.04	1.07
3000K	1.00	1.00
2700K	0.96	0.92
2400K	-	0.84
1800K	-	0.69

MEDIA LIGHT LOSS FACTOR

MEDIA	LIGHT LOSS FACTOR
NO LENS	1.06
CGL	1.00
SFL	1.00
FGL	0.89
FSFL	0.81
FLSL	0.82

FRAXION3 INTERNATIONAL DEEP REGRESS

WARM DIM PERFORMANCE - 25° OPTIC - SOFT FOCUS LENS

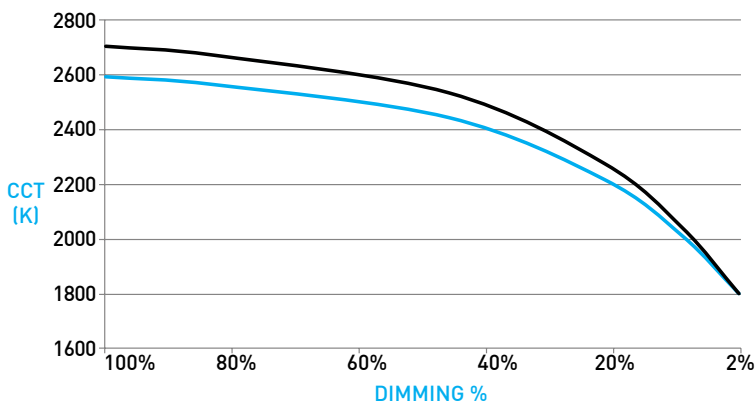
INCANDESCENT PROFILE

90W11DWL 2600K - 1800K	Full on 100%	Dimmed to 80%	Dimmed to 70%	Dimmed to 50%	Dimmed to 20%	Dimmed to 10%	Dimmed to 2%
CCT (K)	2600	2550	2520	2450	2200	1925	1800
Light Output (Lm)	489	391	342	244	97	48	9.7
Power (W)	11	8.8	7.7	5.5	2.2	1.1	0.22
Efficacy (LPW)	44	44	44	44	44	44	44
90W16DWL 2700K - 1800K	Full on 100%	Dimmed to 80%	Dimmed to 70%	Dimmed to 50%	Dimmed to 20%	Dimmed to 10%	Dimmed to 2%
CCT (K)	2700	2650	2620	2520	2180	1950	1800
Light Output (Lm)	684	547	478	342	136	68	13
Power (W)	16	12.8	11.2	8.0	3.2	1.6	0.32
Efficacy (LPW)	43	43	43	43	43	43	43

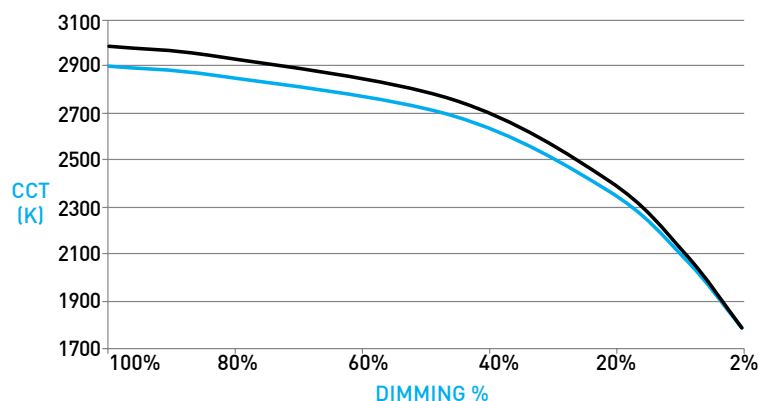
HALOGEN PROFILE

90W11DWD 2900K - 1800K	Full on 100%	Dimmed to 80%	Dimmed to 70%	Dimmed to 50%	Dimmed to 20%	Dimmed to 10%	Dimmed to 2%
CCT (K)	2900	2850	2800	2720	2350	1975	1800
Light Output (Lm)	495	396	346	247	99	49	9.9
Power (W)	11	8.8	7.7	5.5	2.2	1.1	0.22
Efficacy (LPW)	45	45	45	45	45	45	45
90W16DWD 3000K - 1800K	Full on 100%	Dimmed to 80%	Dimmed to 70%	Dimmed to 50%	Dimmed to 20%	Dimmed to 10%	Dimmed to 2%
CCT (K)	3000	2950	2920	2775	2375	2000	1800
Light Output (Lm)	693	554	485	346	138	69	13
Power (W)	16	12.8	11.2	8.0	3.2	1.6	0.32
Efficacy (LPW)	43	43	43	43	43	43	43

11W / 16W



11W / 16W



NOTE: LIN-TO-LIN 0-10V PAIRING NOT COMPATIBLE WITH WARM DIM.

FRAXION3 INTERNATIONAL DEEP REGRESS

DOWNLIGHT FITTING

A ADJUSTABILITY

Hot-aim tilt up to 40° and 361° rotation with Philips screwdriver, features 5° tilt increment indicators. Sliding pivot point optimizes center beam, ensuring unclipped beam of 15° at 40° tilt and 25° at 30° tilt.

B RETENTION

Integrated metal arm clamps located within fixture body allow discreet flange design, while accommodating varying ceiling thicknesses from 6mm to 54mm. Snap-on spacer clips (2X) supplied for ceiling thickness below 13 mm only.

C OPTIC

Robust light engine with optimized optic pairing integrates Reflection, Refraction, and TIR offering wallwash, 10°, 15°, 25°, 35°, & 50° beams.

D 10° FIELD REDUCER

Provided with 10° optic. Pairs Soft Focus Lens, Field Reducer, and Honeycomb Louver to deliver tight 10° beam while reducing field angle by 30%.

E ADJUSTABLE HCL ASSEMBLY

Honeycomb Louver and Soft Focus Lens attach directly to optic with clip-on lens retainer and adjusts with fixture. Only compatible with no lens baffle. Dry/Damp locations only. Specified as "HS" Effects Device

F MICROFLANGE PROFILE

Provides industry standard 11mm total contractor (goof) allowance with 7mm flange. Thickness measures 1.5mm. IP64 Wet location features integral silicone gasket.

G TRIMLESS GYPSUM PROFILE

Installs totally flush with the ceiling with no visible trim. Features integrated appliqué for plaster floating directly to the baffle. Not recommended for stucco applications.

H EFFECTS DEVICES / LENS RETAINER

Fixture is limited to 1 effects device installed on the baffle, see Section D for Adjustable HCL assembly. Wet location effects device is sealed in place on baffle, suction tool provided for removal of baffle. Lens retainer allows effects devices to be changed in Dry /Damp locations.

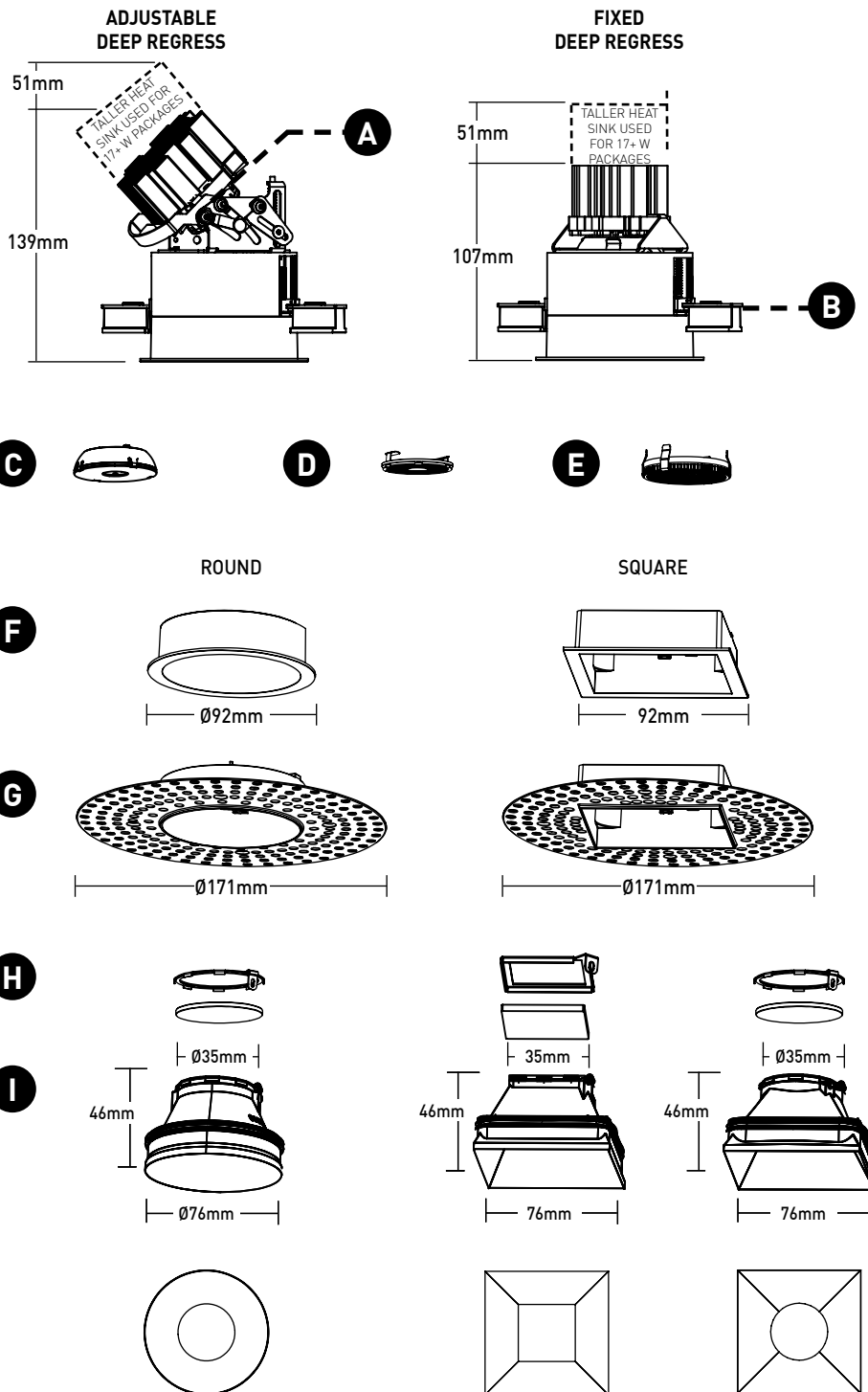
I ROUND / SQUARE BAFFLE

Die-cast removable baffle provides easy access to adjustment mechanisms for tilt and rotation. Features 60° glare cutoff, minimizing aperture glare and concealing view into housing. Includes gasket, mitigating light leak.

SQUARE TRANSITIONAL BAFFLE

Transitions from square aperture at ceiling to round aperture at light source. Die-cast removable baffle provides easy access to adjustment mechanisms for tilt and rotation. Features 60° glare cutoff, minimizing aperture glare and concealing view into housing. Includes gasket, mitigating light leak.

DIMENSIONS / DRAWINGS



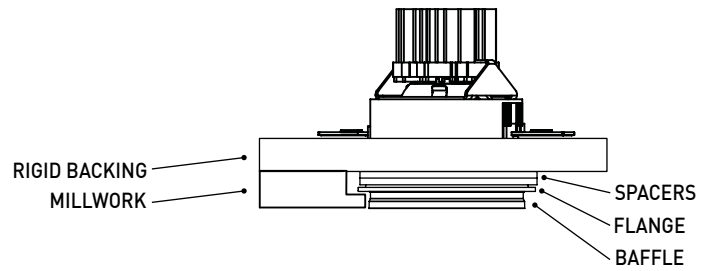
FRACTION3 INTERNATIONAL DEEP REGRESS

DOWNLIGHT FITTING

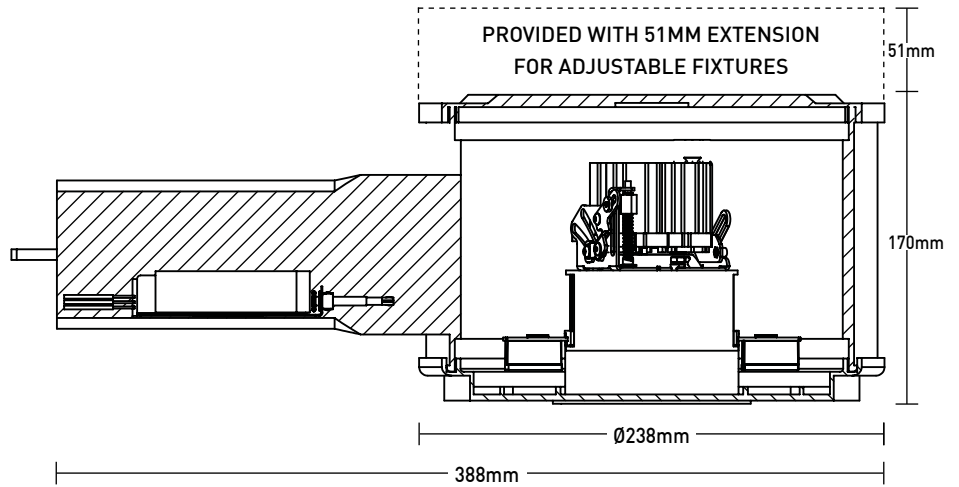
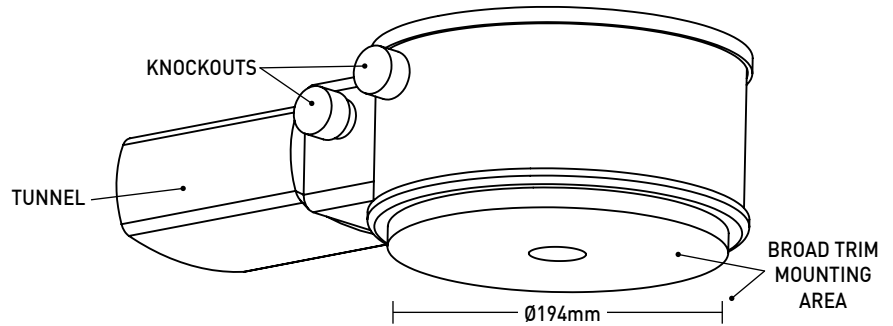
- J TRIMLESS MILLWORK PROFILE / SPACERS**
No visible flange, installs totally flush with millwork. Requires rigid backing for installation. Includes (1) 1.5mm spacer and (5) 3mm spacers.
- K CONCRETE POUR HOUSING / PROFILE**
 - Provided with install types "KC and KR".
 - Ships separate from downlight and power supply.
 - Features 4 conduit entries compatible with 20mm and 25mm ENT. Includes tunnel to accommodate installation of power supply.
 - Includes tunnel to accommodate installation of power supply.
 - Features broad mounting tolerance area for trim location.

DIMENSIONS / DRAWINGS

J



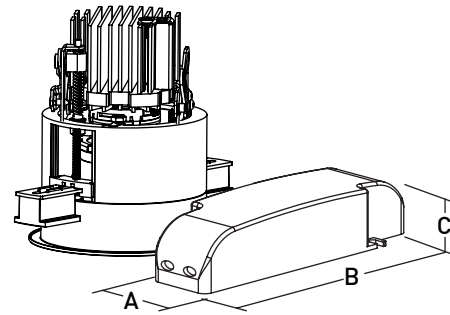
K



FRAXION3 INTERNATIONAL DEEP REGRESS

POWER SUPPLY

- L** **FITTING WITH NON-IC TETHERED POWER SUPPLY**
- Requires 86mm cutout.
 - Features quick-connect plug between fitting and power supply.
 - Minimum 19mm clearance from top of fitting.
 - Minimum setback from combustible and non-combustible materials of 168mm radius from fitting centerline; minimum 76mm from surfaces of power supply if not situated within above noted radius from fitting centerline.
 - Minimum additional 76mm setback from insulation material with max R-Value 30 from any surface of downlight fitting assembly.
 - Minimum additional 152mm setback from polycell spray foam insulation with max R-Value 60 from any surface of downlight fitting assembly.
 - Consult factory for spacing requirements for any installations exceeding R-Value 60.
 - Do not install in environments where ambient temperatures exceed 40°C (104°F).



POWER SUPPLY DIMENSIONS			
Model	A	B	C
IG1	41mm	210mm	34mm
IN1			
ID1			
MD2	43mm	150mm	26mm

FRAZION3 INTERNATIONAL DEEP REGRESS

TECHNICAL

CONSTRUCTION

Downlight: Painted finishes are granulated powder coat. Forged aluminum heat-sink.

Appliqué: Zinc alloy.

STATIC WHITE LED

2-step MacAdam ellipse LED module available in 80+, 90+ and 97+ CRI configurations in color temperatures of 2700K, 3000K, 3500K and 4000K. 3-step MacAdam ellipse LED module available in 90+ CRI configuration in color temperature of 2400K. Average rated lamp life of 50,000 hours. LED and driver assemblies are field-replaceable.

WARM DIM LED

3-step MacAdam ellipse warm dim LED module available in 90+ CRI configuration. 3000K or 2700K at full brightness, warming to 1800K at full dim. Average rated lamp life of 50,000 hours. LED and driver assemblies are field-replaceable.

TUNABLE WHITE LED

3-step MacAdam ellipse tunable white LED module available in 90+ CRI configuration. Features tuning ranges of 1800K to 4000K and 2700K to 5000K. Average rated lamp life of 50,000 hours. LED and driver assemblies are field-replaceable.

POWER SUPPLY PERFORMANCE AND DIMMING INFORMATION

Power Supply	0-10V		DALI-2	
	IG1	IN1	ID1	MD2
Minimum °C	-20 °C	-20 °C	-20 °C	-40 °C
Maximum °C	40 °C	40 °C	40 °C	40 °C
Dimming %	0.1%	0.1%	0.1%	0.1%

Note: For IG1 and IN1 drivers consult chart on page 9 to confirm appropriate dimming curve for compatibility with selected control.

MAXIMUM ALLOWABLE REMOTE DRIVER WIRING DISTANCES

DRIVER	WIRE AWG				
	12	14	16	18	20
IG1, IN1, ID1	-	-	118'	72	46'

LISTING

CE Listed for IP20 Dry / Damp and IP64 Wet locations.
NEMA 410 Compliant.

DECLARE

LBC Red List Approved.

WEIGHT

Fixture - 3 lbs max
Remote Driver - 1.4 lbs

LIMITED WARRANTY

Manufacturer's Limited Warranty guarantees product(s) listed to be free from defects in material and workmanship under normal use and service for 1-year. LED and power supplies are warranted to operate with 70% of original flux and remain within a range of 3 duv for a period of 5-years. 10-year Lutron Advantage limited warranty available on Lutron equipped systems. Warranty period begins from the date of shipment by Seller. [Consult website for full warranty terms and conditions.](#)



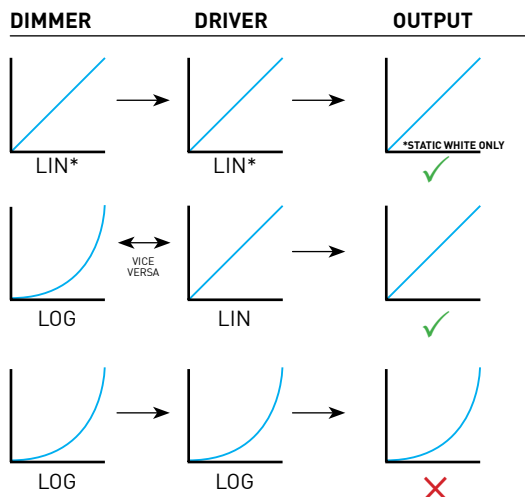
FRAXION3 INTERNATIONAL DEEP REGRESS

DIMMING COMPATIBILITY

eldoLED DRIVER COMPATIBILITY

Power supply IG1 Manufacturer	Family/Model #
Busch-Jaeger	2112U-101
Jung	240-10
Leviton Lighting Controls	IP710-DLX
Lightolier Controls	ZP600FAM120
Merten	5729
Pass & Seymour	CD4FB-W
The Watt Stopper	DCLV1
Synergy	ISD BC
Crestron®	GLX-DIMFLV8
Crestron®	GLXP-DIMFLV8
Crestron®	GLPAC-DIMFLV4-*
Crestron®	GLPAC-DIMFLV8-*
Crestron®	GLPP-DIMFLVEX-PM
Crestron®	GLPP-1DIMFLV2EX-PM
Crestron®	GLPP-1DIMFLV3EX-PM
Crestron®	DIN-A08
Crestron®	DIN-4DIMFLV4
Crestron®	CLS-EXP-DIMFLV
Crestron®	CLCI-1DIMFLV2EX
Power supply IN1	Family/Model #
Lutron Electronics	Nova T® - NTFTV
Lutron Electronics	Diva® - DDTV
Lutron Electronics	Nova® - NFTV
Lutron Electronics	GrafixEye® GRX-TVI w GRX3503
Lutron Electronics	Energy Savr Node™ - QSN-4T16-S
Lutron Electronics	TVM2 Module
Sensor Switch	nIO EZ
ABB	SD/S 2.16.1

ANALOG DRIVERS AND DIMMERS



LIN = LINEAR
 LOG = LOGARITHMIC
 *LIN-TO-LIN NOT COMPATIBLE FOR WARM-DIM