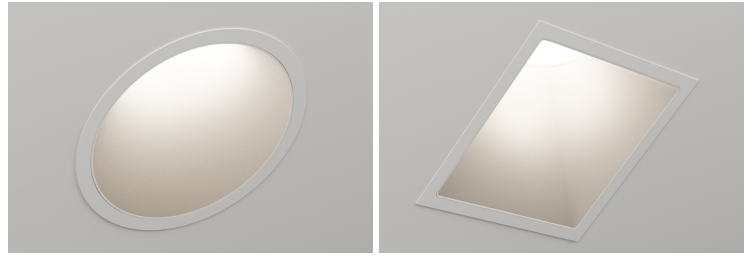


FRAXION® SLOPED

FIXED DOWNLIGHT

One of our most versatile and flexible fixtures is now available for sloped ceilings, allowing designers to use a single style of fixture across a wider array of spaces.

PROJECT NAME:	TYPE:
---------------	-------



ORDERING INFORMATION - DOWNLIGHT / HOUSING



JA8-2022 INDICATED BY SHADING

SLOPE RANGE	SHAPE	TRIM	RATING	FLANGE FINISH	BAFFLE FINISH	CRI / WATTAGE PACKAGE	CCT	OPTIC (UGR)	INSTALL TYPE	CEILING THICKNESS	DRIVER	MEDIA
FS1 15° - 30° (3/12 - 7/12) Slope 1	R Round	M Microflange	1 Dry/Damp	WH White	WH White	STATIC WHITE 80S11A 80+ CRI, 11 Watts Lumens Delivered - 1041 80S15A 80+ CRI, 15 Watts Lumens Delivered - 1413 80S21A 80+ CRI, 21 Watts Lumens Delivered - 1918 90S11A 90+ CRI, 11 Watts Lumens Delivered - 894 90S15A 90+ CRI, 15 Watts Lumens Delivered - 1214 90S21A 90+ CRI, 21 Watts Lumens Delivered - 1648 97S11A 97+ CRI, 11 Watts Lumens Delivered - 785 97S15A 97+ CRI, 15 Watts Lumens Delivered - 1066 97S21A 97+ CRI, 21 Watts Lumens Delivered - 1447	24 2400K* *90+ CRI only) 27 2700K 30 3000K 35 3500K 40 4000K	10 10° (<10)* * (15C packages only) 15 15° (<19) 20 20° (<13) 25 25° (<13) 40 40° (<19) 60 60° (<19)	INTEGRAL DRIVER X IC / Non-IC C IC Airtight* * (CCEA, Airtight & Title 24 compliant housing) REMOTE DRIVER V IC / Non-IC Remote D IC Airtight, Remote* * (CCEA, Airtight & Title 24 compliant housing)	1 0.5" - 1.375" 2 1.375" - 2.0" 3 2.0" - 2.25"	INTEGRAL / REMOTE PH ELV / Triac, 2%, 120V SG eldoLED, ECOdrive 1%, 0-10V, LOG, 120V-277V SN eldoLED, ECOdrive 1%, 0-10V, LIN, 120V-277V LP Lutron, Hi-Lume Premier Ecosystem 0.1% Fade to Black, 120V or 277V EG eldoLED, SOLOdrive 0.1% 0-10V, LOG, 120V - 277V EN eldoLED, SOLOdrive 0.1% 0-10V, LIN, 120V - 277V ED eldoLED, SOLOdrive 0.1% DALI-2, LOG, 120V - 277V AS1 / Athena Control ASR eldoLED, SOLOdrive 0.1%* * (Includes Athena Node. Extended lead time, consult factory. ASR includes shunt) CS1 / Casambi Control CSR eldoLED, SOLOdrive 0.1%* * (Includes Casambi Node. Extended lead time, consult factory. CSR includes shunt)	STANDARD MEDIA 04 Soft Focus Lens* * (Required for 10° optic) ALTERNATE MEDIA 03 Clear Glass Lens* * (Not available for Warm Dim) 05 Frosted Glass Lens 08 Frosted Soft Focus Lens 14 Wide Distribution Lens* * (Required and only available for 85° beam spread) 26 Frosted Linear Spread Lens 28 Adjustable Honeycomb Louver and Soft Focus Lens* * (Not available for Wet Location, 21W, or Warm Dim)
	S Square	T Trimless	2 Wet	AG Satin Silver	AG Satin Silver							
FS2 30° - 45° (7/12 - 12/12) Slope 2		W Trimless Wood* * (Not available for Wet location)		AU Cashmere Gold	AU Cashmere Gold	TUNABLE WHITE 90T15B 90+ CRI, 15W Cool Profile: 5000K - 2700K Lumens Dlv'd. - 1187 Warm Profile: 4000K - 1800K Lumens Dlv'd. - 1198	TH 5000K - 2700K TR 4000K - 1800K	15 15° (<16) 20 20° (<10) 25 25° (<10) 40 40° (<13) 60 60° (<16)	85 85° (>19) * (Requires -14 WDL media)	SEE PAGE 3 FOR UGR RATINGS		
				BK Black	BK Black							



PART NUMBER NOTES

- Housing and trim ship as e.g., FS1RM1-WHBK-90S15A2-3X1-PH104

FRAXION SLOPED FIXED DOWNLIGHT

ACCESSORIES

ALTERNATE MEDIA

Dry / Damp location only.

- CGL-F3R** Clear Glass Lens*
*(Not available for Warm Dim)
- FGL-F3R** Frosted Glass Lens
- SFL-F3R** Soft Focus Lens
- FSFL-F3R** Frosted Soft Focus Lens
- WDL-F3R** Wide Distribution Lens*
*(Only available for 85° beam spread)
- FLSL-F3R** Frosted Linear Spread Lens

ADJUSTABLE HCL ASSEMBLY

Dry / Damp location only.

- OLR-F3RS1-SFL-HCL** Adjustable Honeycomb Louver and Soft Focus Lens*
*(Not available for Wet location, 21W, or Warm Dim)

REPLACEMENT OPTICS

Interchangeable optics accessible through fixture aperture.

- | Static White | | Warm Dim | | Tunable White | |
|--|-----------|--|-----------|--|-----------|
| <input type="checkbox"/> RO-50-15-S | 15° optic | <input type="checkbox"/> RO-50-20-W | 20° optic | <input type="checkbox"/> RO-50-15-T | 15° optic |
| <input type="checkbox"/> RO-50-20-S | 20° optic | <input type="checkbox"/> RO-50-25-W | 25° optic | <input type="checkbox"/> RO-50-20-T | 20° optic |
| <input type="checkbox"/> RO-50-25-S | 25° optic | <input type="checkbox"/> RO-50-40-W | 40° optic | <input type="checkbox"/> RO-50-25-T | 25° optic |
| <input type="checkbox"/> RO-50-40-S | 40° optic | <input type="checkbox"/> RO-50-60-W | 60° optic | <input type="checkbox"/> RO-50-40-T | 40° optic |
| <input type="checkbox"/> RO-50-60-S | 60° optic | | | <input type="checkbox"/> RO-50-60-T | 60° optic |

HANGER BAR EXTENDER KIT

Extends hanger bars from 24.0" to 46.0" maximum.

- FRX-HBE-46** Extender, Hanger Bar

FURRING CHANNEL ACCESSORY KIT

Recommended for installations in furring channel. Available for ceiling thicknesses from 0.5" - 2.25".

- DHA-FC-KIT**

EMERGENCY LIGHTING - REMOTE MOUNT ONLY

During disruption of main power, emergency battery inverter provides temporary 120V or 277V to fixture.

- EMB-S-25-120/277-LEDX** 25 watt max capacity, 120 or 277 VAC 60Hz, Non-Dimmable
- EMB-S-100-120-LEDX** 100 watt max capacity, 120 VAC 60Hz, 0-10V Dimmable
- EMB-S-100-277-LEDX** 100 watt max capacity, 277 VAC 60Hz, 0-10V Dimmable
- EMB-S-250-120/277-LEDX** 250 watt max capacity, 120 or 277 VAC 60Hz, 0-10V Dimmable

***SHUNT REQUIRED FOR USE WITH ATHENA AND CASAMBI CONTROLS, CONSULT FACTORY FOR DETAILS.**

FRAXION SLOPED FIXED DOWNLIGHT

PERFORMANCE - 3000K

24 JA8-2022 INDICATED BY SHADING

PACKAGE	WATTS	10° OPTIC FIELD REDUCER		15° OPTIC SOFT FOCUS LENS		20° OPTIC SOFT FOCUS LENS		25° OPTIC SOFT FOCUS LENS		40° OPTIC SOFT FOCUS LENS		60° OPTIC SOFT FOCUS LENS		85° OPTIC WIDE DISTRIBUTION	
		DLVD.	LPW	DLVD.	LPW	DLVD.	LPW	DLVD.	LPW	DLVD.	LPW	DLVD.	LPW	DLVD.	LPW
80S11A	11	-	-	939	85	989	90	1077	98	1036	94	1041	95	941	86
80S15A/C	15	254	17	1269	85	1332	89	1369	91	1332	89	1413	94	1413	94
80S21A	21	-	-	1718	82	1793	85	1851	88	1798	86	1918	91	1702	81
90S11A	11	-	-	807	73	850	77	925	84	890	81	894	81	808	73
90S15A/C	15	219	15	1090	73	1144	76	1176	78	1144	76	1214	81	1077	72
90S21A	21	-	-	1476	70	1540	73	1590	76	1545	74	1648	78	1462	70
97S11A	11	-	-	709	64	746	68	812	74	781	71	785	71	709	64
97S15A/C	15	188	13	957	64	1004	67	1033	69	1004	67	1066	71	946	63
97S21A	21	-	-	1296	62	1352	64	1396	66	1356	65	1447	69	1284	61
90W15A (WL 27K-18K)	15	-	-	-	-	911	61	875	58	753	50	884	59	748	50
90W15B (WD 30K-18K)	15	-	-	-	-	889	59	886	59	961	64	920	61	758	51
90T15A (TR 40K-18K)	15	-	-	971	65	1091	73	1036	69	1014	68	1187	79	931	62
90T15B (TH 50K-27K)	15	-	-	980	65	1101	73	1045	70	1023	68	1198	80	939	63

OUTPUT MULTIPLIER

CCT	CCT SCALE
2400K	0.85
2700K	0.97
3000K	1.00
3500K	1.03
4000K	1.08

MEDIA LIGHT LOSS FACTOR

MEDIA	LIGHT LOSS FACTOR
NO LENS	1.06
CGL	1.00
SFL	1.00
FGL	0.89
FSFL	0.81
FLSL	0.82
HCL	0.73

TUNABLE WHITE MULTIPLIER

CCT	5000K-2700K	4000K-1800K
5000K	1.16	-
4000K	1.08	1.14
3500K	1.04	1.07
3000K	1.00	1.00
2700K	0.96	0.92
2400K	-	0.84
1800K	-	0.69

*Performance reflects 5/12 ceiling pitch and 0.5" ceiling thickness. Consult factory for additional performance information.

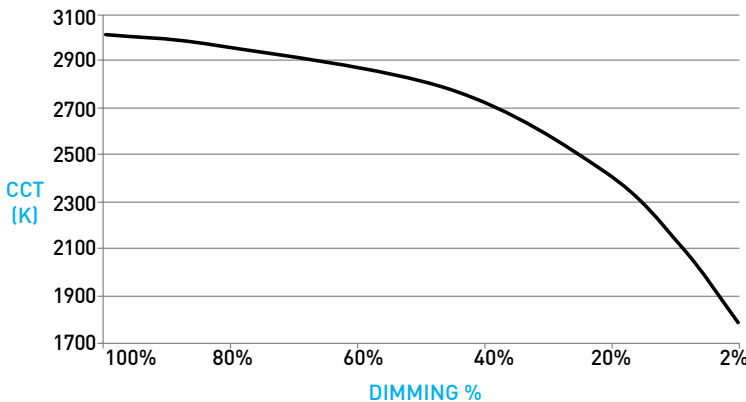
UNIFIED GLARE RATING

10° OPTIC FIELD REDUCER	15° OPTIC SOFT FOCUS LENS	20° OPTIC SOFT FOCUS LENS	25° OPTIC SOFT FOCUS LENS	40° OPTIC SOFT FOCUS LENS	60° OPTIC SOFT FOCUS LENS	85° OPTIC WIDE DISTRIBUTION LENS
<10	<19	<13	<13	<19	<19	>19

WARM DIM PERFORMANCE - 60° OPTIC - SOFT FOCUS LENS

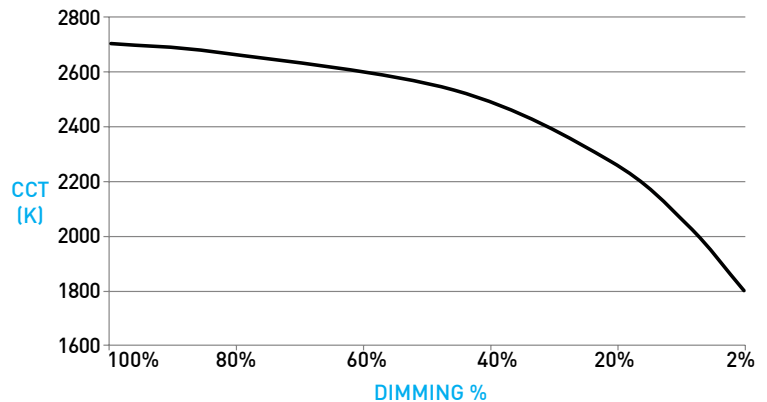
INCANDESCENT DIMMING PROFILE

90W15AL 2700K - 1800K	Full on 100%	Dimmed to 80%	Dimmed to 70%	Dimmed to 50%	Dimmed to 20%	Dimmed to 10%	Dimmed to 2%
CCT (K)	2700	2650	2620	2520	2180	1950	1800
Light Output (Lm)	884	707	619	442	177	88.4	18
Power (W)	15	12	10.5	7.5	3	1.5	0.3
Efficacy (LPW)	59	59	59	59	59	59	60



HALOGEN DIMMING PROFILE

90W15AD 3000K - 1800K	Full on 100%	Dimmed to 80%	Dimmed to 70%	Dimmed to 50%	Dimmed to 20%	Dimmed to 10%	Dimmed to 2%
CCT (K)	3000	2950	2920	2775	2375	2000	1800
Light Output (Lm)	920	736	644	460	184	92	18.4
Power (W)	15	12	10.5	7.5	3	1.5	0.3
Efficacy (LPW)	61	61	61	61	61	61	61

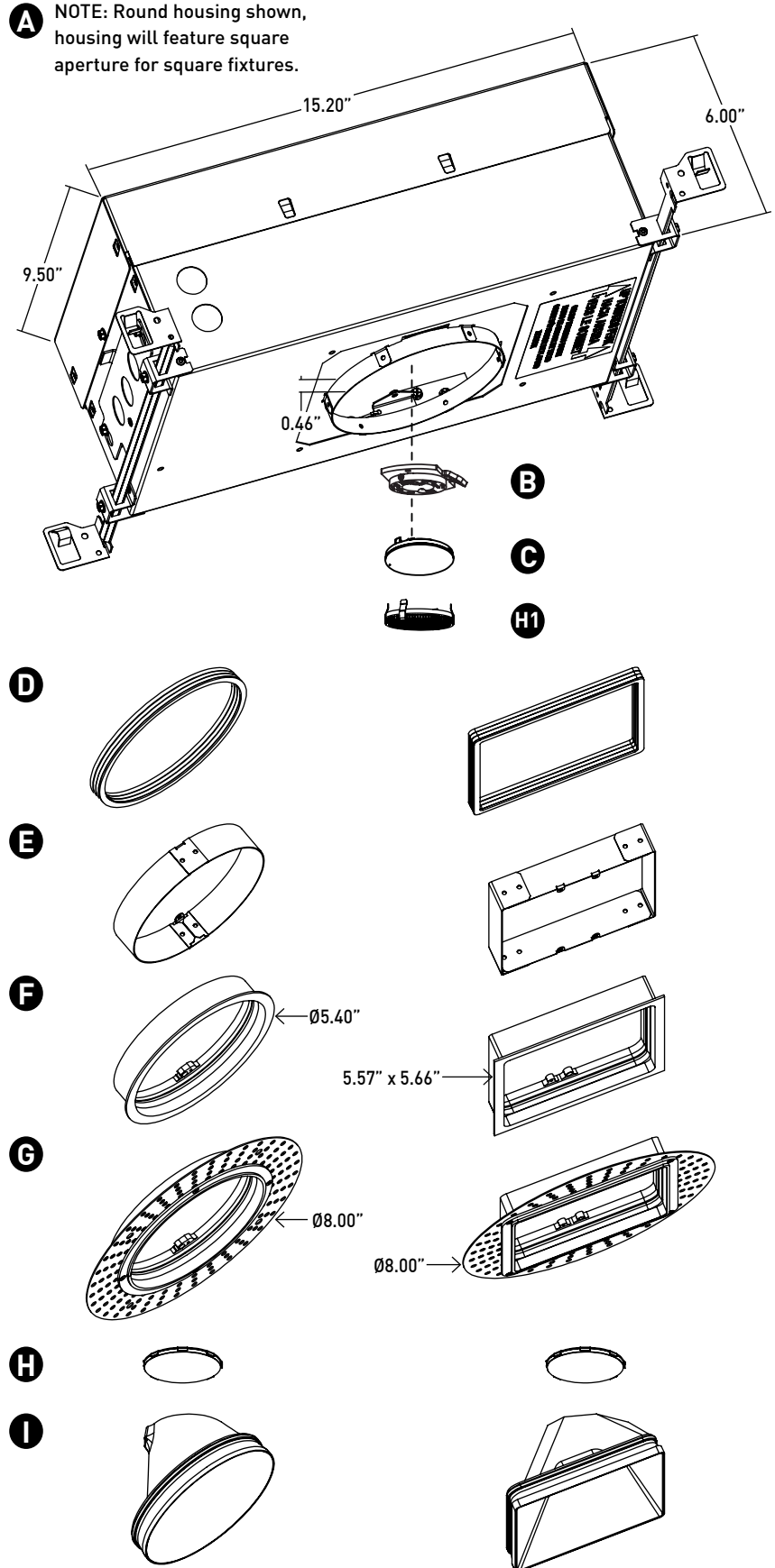


FRAXION SLOPED FIXED DOWNLIGHT

DOWNLIGHT / HOUSING

- A PITCH ADJUSTMENT**
Tilting mechanism is integral to the housing, provides lockable tilt for 3/12 (15°) - 12/12 (45°) slope ranges. Ships in 12/12 (45°) position (see **J** tilt guide).
 - B LED**
Integral LED module design enables field service / replacement through housing aperture.
 - C OPTIC**
Robust light engine with optimized optic pairing integrates Reflection, Refraction, and TIR offering 10°, 15°, 20°, 25°, 40° & 60° beams. Soft Focus Lens, Honeycomb Louver, and Field Reducer provided with 10° optic.
 - D TRIMLESS WOOD SPACERS**
Provided for Trimless Wood installations; includes (1) 1/16" spacer and (5) 1/8" spacers.
 - E TRIM EXTENSIONS**
Provided for -2 and -3 ceiling thickness; accommodate 2.25" max ceiling thickness.
 - F MICROFLANGE PROFILE**
Features 0.30" flange. Thickness measures 0.06". Installed after ceiling is complete. Round requires 5.4" diameter cutout, and square requires 5.57" x 5.66" cutout. Wet location features integral silicone gasket.
 - G TRIMLESS DRYWALL PROFILE**
Installs totally flush with the ceiling with no visible trim. Appliqué has 0.07" plaster stop. Not recommended for stucco applications.
 - H MEDIA / LENS RETAINER**
Fixture is limited to 1 media, Soft Focus Lens standard. Lens retainer allows media to be changed in Dry /Damp and Wet locations.
 - H1 ADJUSTABLE HCL ASSEMBLY**
Honeycomb Louver and Soft Focus Lens attach directly to optic with clip-on lens retainer and adjusts with fixture. Only compatible with no lens baffle. Dry/Damp locations only. Specified as -28 Media.
 - I ROUND BAFFLE**
Removable baffle provides easy access to tilting mechanism. Minimizes aperture glare and conceals view into housing; includes gasket. Available in two slope ranges 3/12 - 7/12 (15° - 30°) **K** and 7/12 - 12/12 (30° - 45°) **M**.
- SQUARE TRANSITIONAL BAFFLE**
Removable baffle provides easy access to tilting mechanism. Transitions from square aperture at ceiling plane to round aperture at light source. Minimizes aperture glare and conceals view into housing; includes gasket. Available in two slope ranges 3/12 - 7/12 (15° - 30°) **L** and 7/12 - 12/12 (30° - 45°) **N**.

DIMENSIONS / DRAWINGS



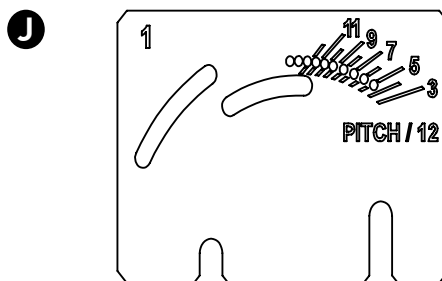
FRAXION SLOPED FIXED DOWNLIGHT

TILT / BAFFLE

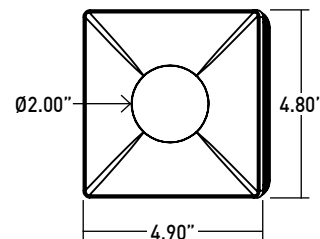
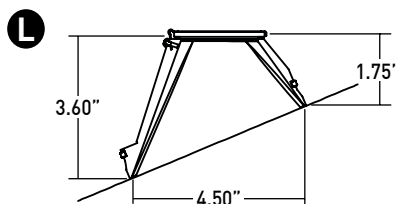
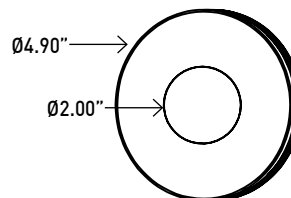
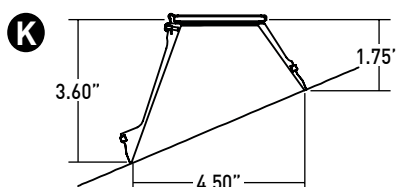
1 TILT GUIDE

Displays tilt indicators to adjust trim to ceiling pitch.

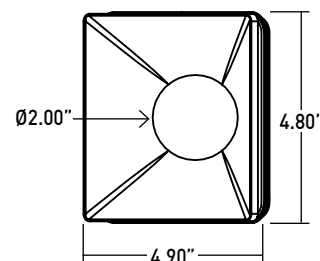
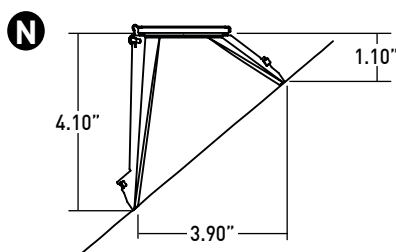
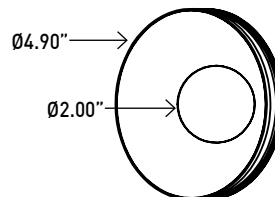
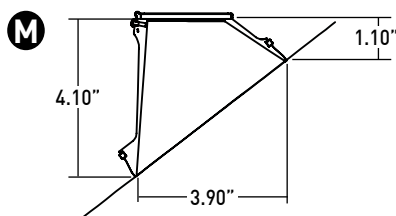
DIMENSIONS / DRAWINGS



SLOPE 1 BAFFLE: 15° - 30° (3/12 - 7/12) SLOPE RANGES



SLOPE 2 BAFFLE: 30° - 45° (7/12 - 12/12) SLOPE RANGES



FRAXION SLOPED FIXED DOWNLIGHT

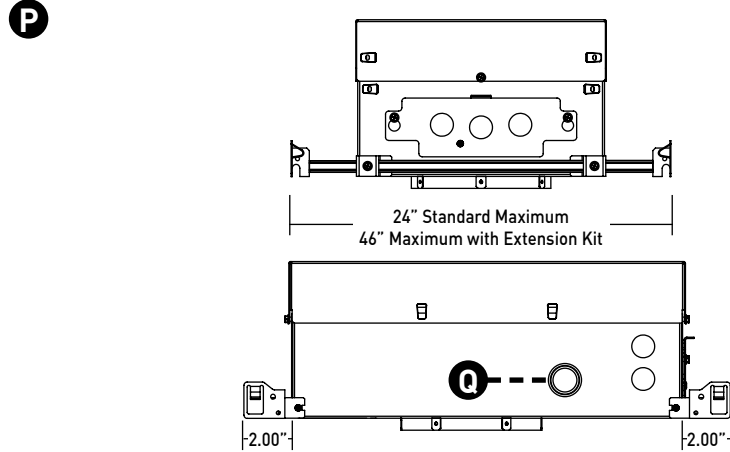
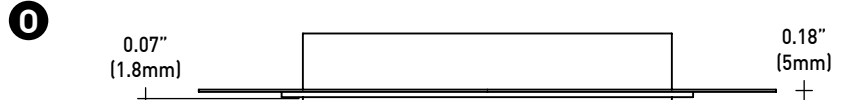
DOWNLIGHT / HOUSING

- O** **TRIMLESS APPLIQUÉ DETAIL**
Integrated appliqué for plaster floating directly to baffle.
- P** **IC / NON-IC HOUSING**
 - For IC or Non-IC ceilings.
 - CCEA, Airtight and Title 24 (JA8) listed.
 - Accommodates max 1650 Lumens Delivered.
 - No setback from polycell spray foam insulation having max R-Value of 60 on all sides and top of housing.
- Q** **ATHENA / CASAMBI CONTROL**
Controls integrated into housing assembly. All equipment is serviceable.

Athena Model Numbers: A-WN-D01-RF-BL & DFC-OEM-DBI

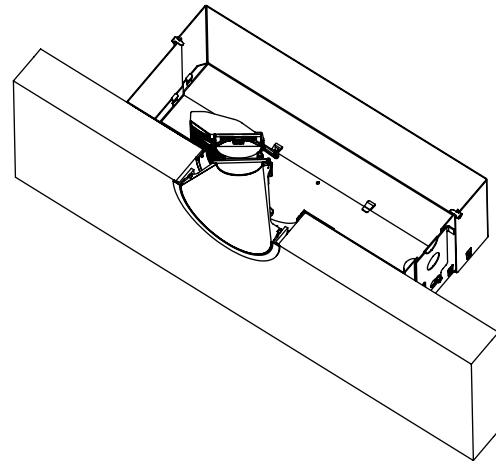
Casambi Model Number: BT-S1E1-5400

DIMENSIONS / DRAWINGS



CEILING THICKNESS RANGES

- 1 0.5" - 1.375"
- 2 1.375" - 2.0"
- 3 2.0" - 2.25"



REMOTE POWER SUPPLY

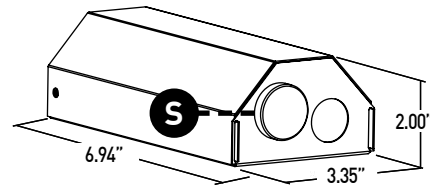
- R** **REMOTE APPLICATIONS**
 - Provided with install types V and D
 - Requires plenum rated Class 2 cable between fixture and remote driver. Cable supplied by others.
 - See page 7 for maximum allowable wiring distance.
 - Must be installed in an accessible location
 - Do not install in environments where ambient temperatures exceed 40°C (104°F).
- S** **ATHENA / CASAMBI CONTROL**
Controls integrated into remote driver assembly. All equipment is serviceable.

Athena Model Numbers: A-WN-D01-RF-BL & DFC-OEM-DBI

Casambi Model Number: BT-S1E1-5400
- T** **ATHENA / CASAMBI EM SHUNT**
Included with drivers specified as ASR, ATR, CSR, or CTR. One required for each wireless EM fixture, requires class 2 control wiring between fixture and shunt. Features integrated test switch.

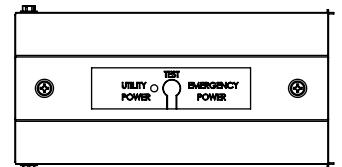
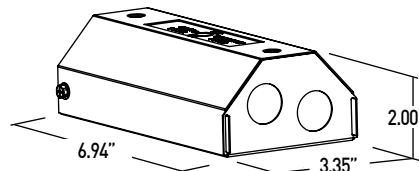
Model Number: PS-RMT-SHUNT

R



T

ATHENA / CASAMBI EM SHUNT



FRAXION SLOPED FIXED DOWNLIGHT

TECHNICAL

CONSTRUCTION

Downlight: Painted finishes are granulated powder coat.

Housing: Aluminum and 22 Gauge galvanized steel.

Remote Power Supply: 22 Gauge galvanized steel.

Appliqué: Aluminum and 22 Gauge galvanized steel.

STATIC WHITE LED

2-step MacAdam ellipse LED module available in 80+, 90+ and 97+ CRI configurations in color temperatures of 2700K, 3000K, 3500K and 4000K. 3-step MacAdam ellipse LED module available in 90+ CRI configuration in color temperature of 2400K. Average rated lamp life of 50,000 hours. LED and driver assemblies are field-replaceable.

WARM DIM LED

3-step MacAdam ellipse warm dim LED module available in 90+ CRI configuration. 3000K or 2700K at full brightness, warming to 1800K at full dim. Average rated lamp life of 50,000 hours. LED and driver assemblies are field-replaceable.

TUNABLE WHITE LED

3-step MacAdam ellipse tunable white LED module available in 90+ CRI configuration. Features tuning range of 2700K to 5000K. Average rated lamp life of 50,000 hours. LED and driver assemblies are field-replaceable.

POWER SUPPLY PERFORMANCE AND DIMMING INFORMATION

Power Supply	PHASE	0-10V						ECO	DALI-2		ATHENA		CASAMBI	
	PH	SG	SN	EG	EN	DG	DN	LP	ED	DD	AS	AD	CS	CD
Minimum °C	-20 °C	-20 °C	-20 °C	-20 °C	-20 °C	-20 °C	-20 °C	0 °C	-20 °C	-20 °C	0 °C	0 °C	-20 °C	-20 °C
Maximum °C	40 °C	40 °C	40 °C	40 °C	40 °C	40 °C	40 °C	40 °C	40 °C	40 °C	40 °C	40 °C	40 °C	40 °C
Dimming %	2.0%	1.0%	1.0%	0.1%	0.1%	0.1%	0.1%	0.1%	0.1%	0.1%	0.1%	0.1%	0.1%	0.1%

Note: For PH, LH, LP, EG and EN drivers consult chart on page 8 to confirm appropriate dimming curve for compatibility with selected control.

MAXIMUM ALLOWABLE REMOTE DRIVER WIRING DISTANCES

DRIVER	WIRE AWG				
	12	14	16	18	20
PH	285'	180'	113'	71'	45'
LP	60'	40'	25'	15'	-
EG, EN, ED, DG, DN, DD, SG, SN, AS, CS, AD, CD	-	-	118'	72'	46'

LISTING

cTUVus listed to UL1598 standard for Dry / Damp and Wet locations. CCEA, Airtight and Title 24 JA8-2022 Listed. NEMA 410 Compliant.

WEIGHT

Fixture - 9 lbs max

Remote Driver - 1.4 lbs

LIMITED WARRANTY

Manufacturer's 1-year warranty guarantees product(s) listed to be free from defects in material and workmanship under normal use and service. 5-year warranty on LED and power supply to operate with 70% of the original flux and remain within a range of 3 duv. 10-year Lutron Advantage limited warranty available on Lutron equipped systems. Warranty period begins from the date of shipment by Seller. Consult [website](#) for full warranty terms and conditions.

CHANGE LOG

- 03/14/2022: ADDED AN AND LN DRIVER OFFERINGS.
- 10/17/2022: REMOVED 90W13A 3200K-1800K WARM DIM AND ADDED 90W12A 3000K-1800K WARM DIM.
- 08/08/2023: ADDED NEW LED AND OPTIC SYSTEM.
- 02/08/2024: ADDED ATHENA AND CASAMBI CONTROL OFFERING, 2400K, AND WARM PROFILE TUNABLE WHITE.
- 07/15/2024: RESTRICTED "28" MEDIA WATTAGE, REMOVED L2 DRIVER OFFERING, ADDED 10 DEGREE FIELD REDUCER DATA.

FRAZION SLOPED FIXED DOWNLIGHT

DIMMING COMPATIBILITY

PHILIPS DRIVER COMPATIBILITY

Power supply PH Manufacturer	Family/Model #
Lutron Electronics	DV-600P
Lutron Electronics	DVELV-303P
Lutron Electronics	NTELV-600
Lutron Electronics	MAELV-600
Lutron Electronics	SELV-300P
Lutron Electronics	DVLV-600P
Lutron Electronics	NFTU-5A
Lutron Electronics	CTCL-153P
Lutron Electronics	GL-600H
Lutron Electronics	S-600P
Lutron Electronics	PHPM

LUTRON DRIVER COMPATIBILITY

Power supply LH / LP Lutron Product Family	Part No.
PowPak Dimming Modules	RMJ-EC032-DV-B
PowPak Dimming Modules	FCJ/FCJS-ECO
Energi Savr Nodes	QSN-1ECO-S
GRAFIK Eye QS control unit Homeworks QS control unit	QSN-2ECO-S
GRAFIK Eye QS control unit Homeworks QS control unit	QSGRJ-_E (wireless) QSGR-_E
Quantum Hub	QP2-__2C
Quantum Hub	QP2-__4C
Quantum Hub	QP2-__6C
Quantum Hub	QP2-__8C
Homeworks QS power module myRoom Plus power module	LQSE-2ECO-D



eldoLED DRIVER COMPATIBILITY

Power supply EG Manufacturer	Family/Model #
Busch-Jaeger	2112U-101
Jung	240-10
Leviton Lighting Controls	IP710-DLX
Lightolier Controls	ZP600FAM120
Merten	5729
Pass & Seymour	CD4FB-W
The Watt Stopper	DCLV1
Synergy	ISD BC
Crestron®	GLX-DIMFLV8
Crestron®	GLXP-DIMFLV8
Crestron®	GLPAC-DIMFLV4-*
Crestron®	GLPAC-DIMFLV8-*
Crestron®	GLPP-DIMFLVEX-PM
Crestron®	GLPP-1DIMFLV2EX-PM
Crestron®	GLPP-1DIMFLV3EX-PM
Crestron®	DIN-A08
Crestron®	DIN-4DIMFLV4
Crestron®	CLS-EXP-DIMFLV
Crestron®	CLCI-1DIMFLV2EX
Power supply EN Manufacturer	Family/Model #
Lutron Electronics	Nova T® - NTFTV
Lutron Electronics	Diva® - DDTV
Lutron Electronics	Nova® - NFTV
Lutron Electronics	GrafixEye® GRX-TVI w GRX3503
Lutron Electronics	Energy Savr Node™ - QSN-4T16-S
Lutron Electronics	TVM2 Module
Sensor Switch	nIO EZ
ABB	SD/S 2.16.1

ANALOG DRIVERS AND DIMMERS

